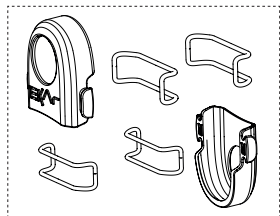


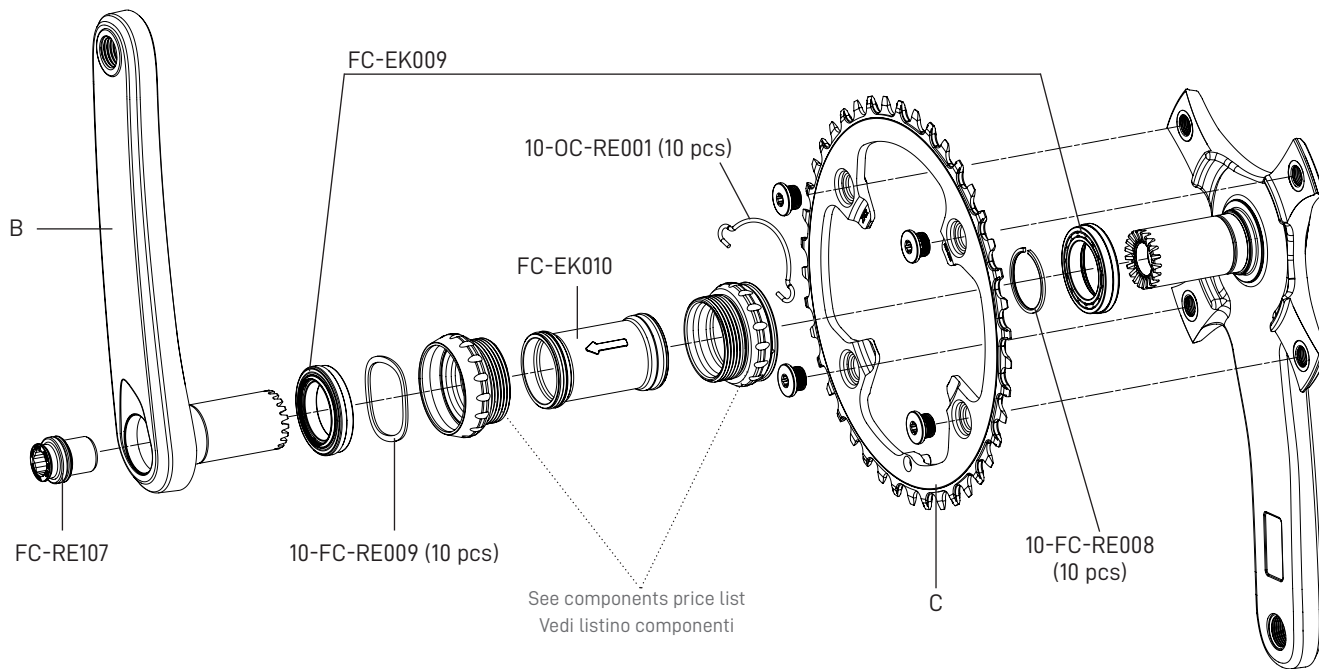
# EKAR 13S



FC-EK011

FC-EK100  
KIT VITI / SCREWS

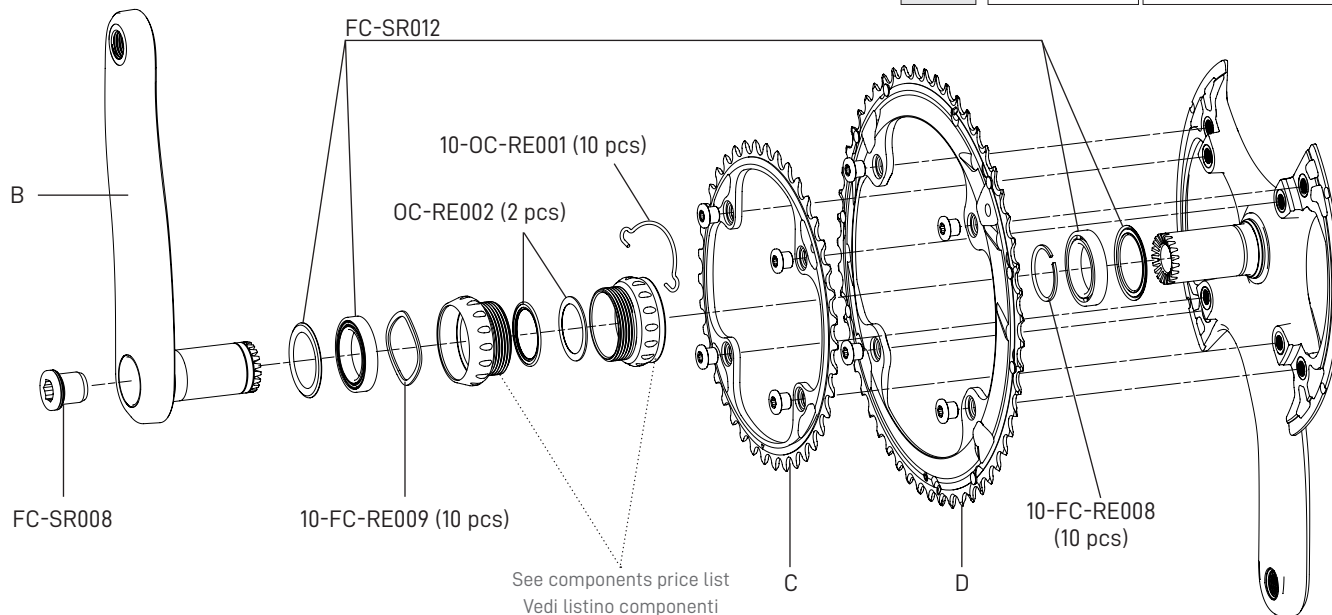
B	165 mm	FC-EK165
	170 mm	FC-EK170
	172,5 mm	FC-EK172
	175 mm	FC-EK175
C	Z38	FC-EK38
	Z40	FC-EK40
	Z42	FC-EK42
	Z44	FC-EK44





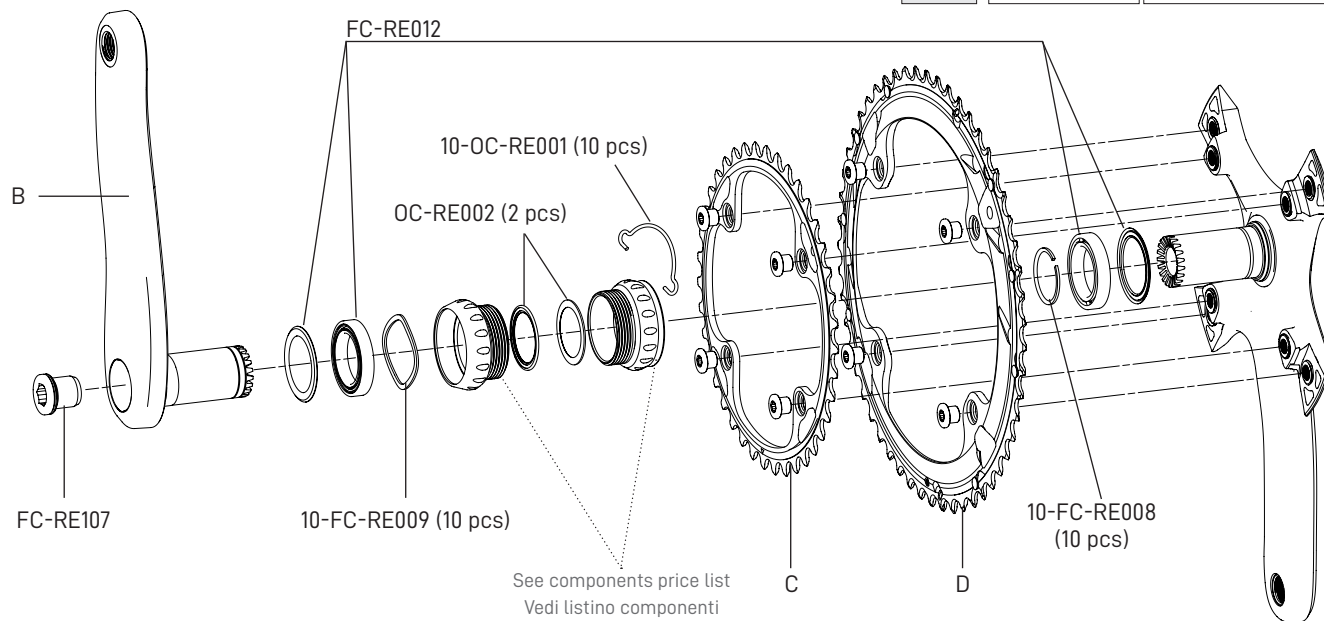
FC-PO100  
KIT VITI / SCREWS&NUTS

B	165 mm	FC-SR165
	170 mm	FC-SR170
	172,5 mm	FC-SR172
	175 mm	FC-SR175
C	Z34	FC-SR334
	Z36	FC-SR336
	Z39	FC-SR339
D	Z50 for 34	FC-SR450
	Z52 for 36	FC-SR452
	Z53 for 39	FC-SR453



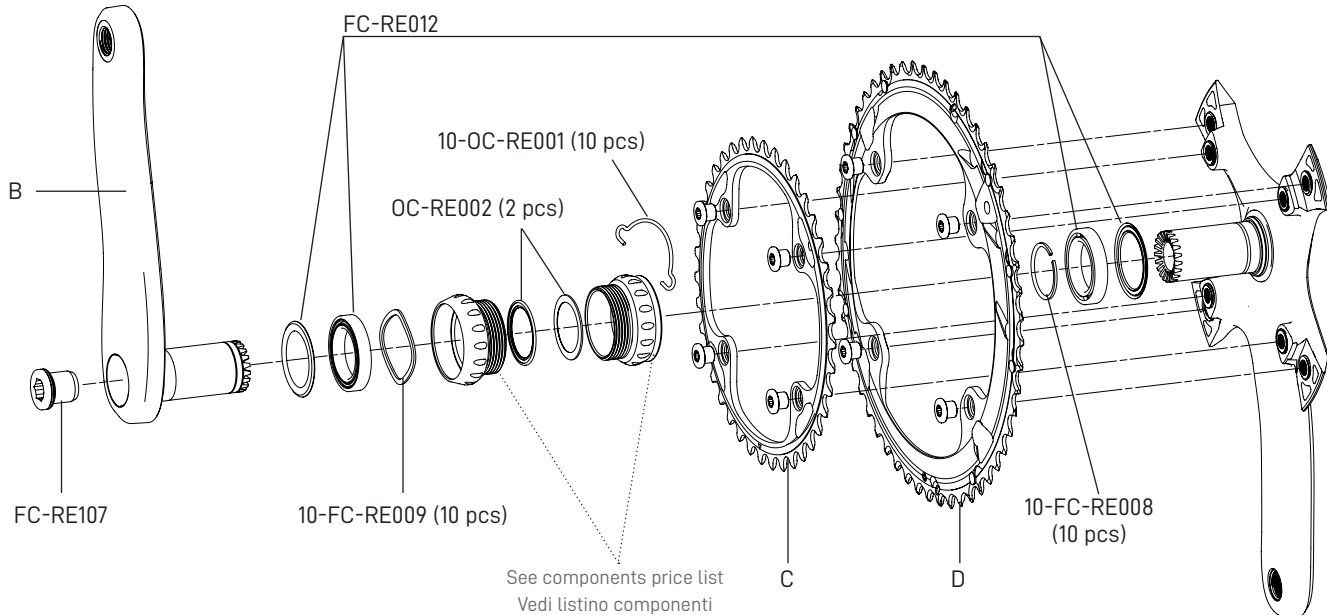
FC-PO100  
KIT VITI / SCREWS&NUTS

B	165 mm	FC-RE16512
	170 mm	FC-RE17012
	172,5 mm	FC-RE17212
	175 mm	FC-RE175
C	Z34	FC-SR334
	Z36	FC-SR336
	Z39	FC-SR339
D	Z50 for 34	FC-RE950
	Z52 for 36	FC-RE952
	Z53 for 39	FC-RE953



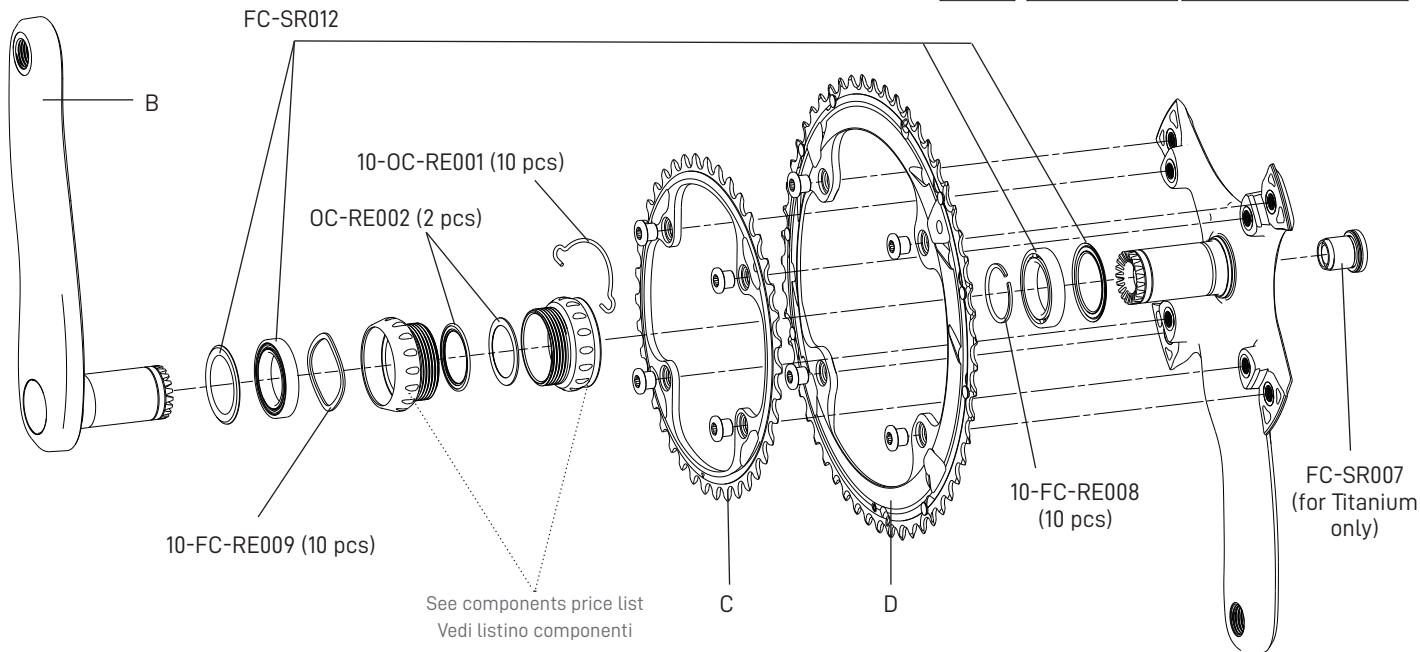
FC-CH1200  
KIT VITI / SCREWS&NUTS

B	165 mm	FC-CH1201
	170 mm	FC-CH1202
	172,5 mm	FC-CH1203
C	175 mm	FC-CH1204
	Z32 for 48	FC-CH1232
	Z34 for 50	FC-CH1234
D	Z36 for 52	FC-CH1236
	Z48 for 32	FC-CH1248
	Z50 for 34	FC-CH1250
	Z52 for 36	FC-CH1252



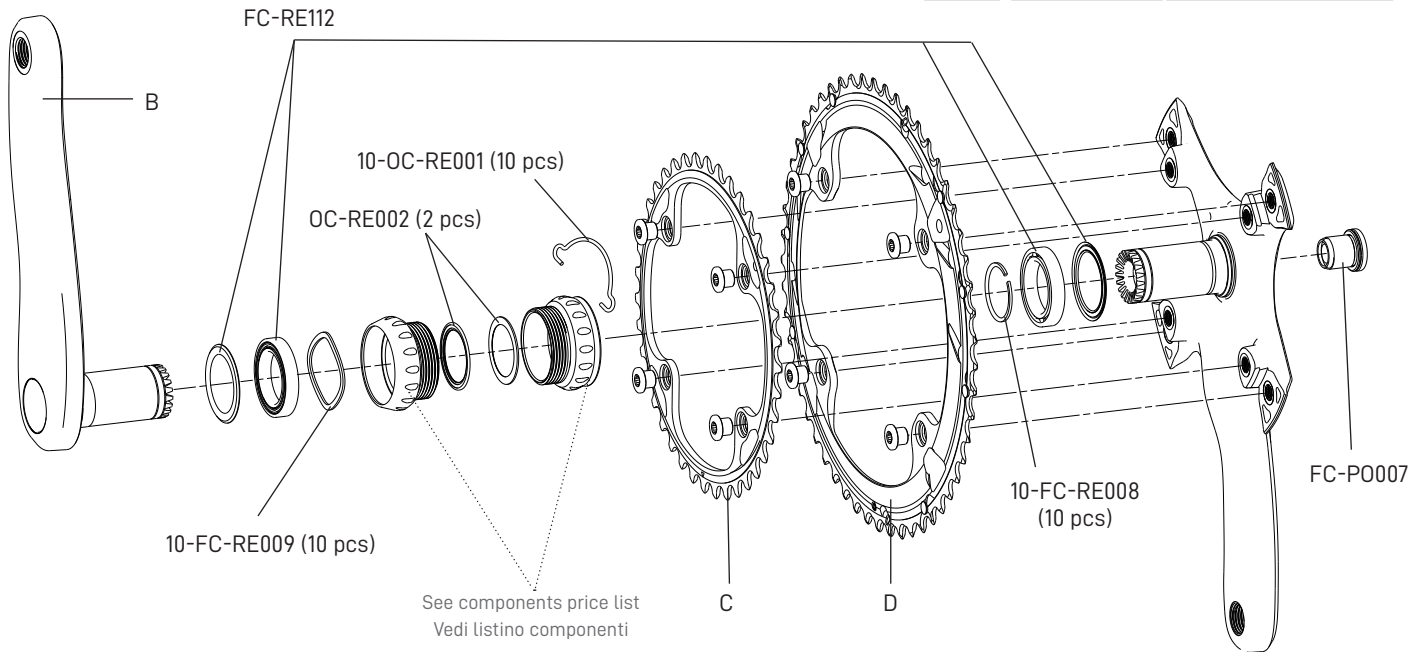
FC-PO100  
KIT VITI / SCREWS&NUTS

B	170 mm	FC-SR081
	172,5 mm	FC-SR083
	175 mm	FC-SR085
C	Z34	FC-SR234
	Z36	FC-SR136
	Z39	FC-SR239
D	Z50 for 34	FC-SR350
	Z52 for 36	FC-SR352
	Z53 for 39	FC-SR353



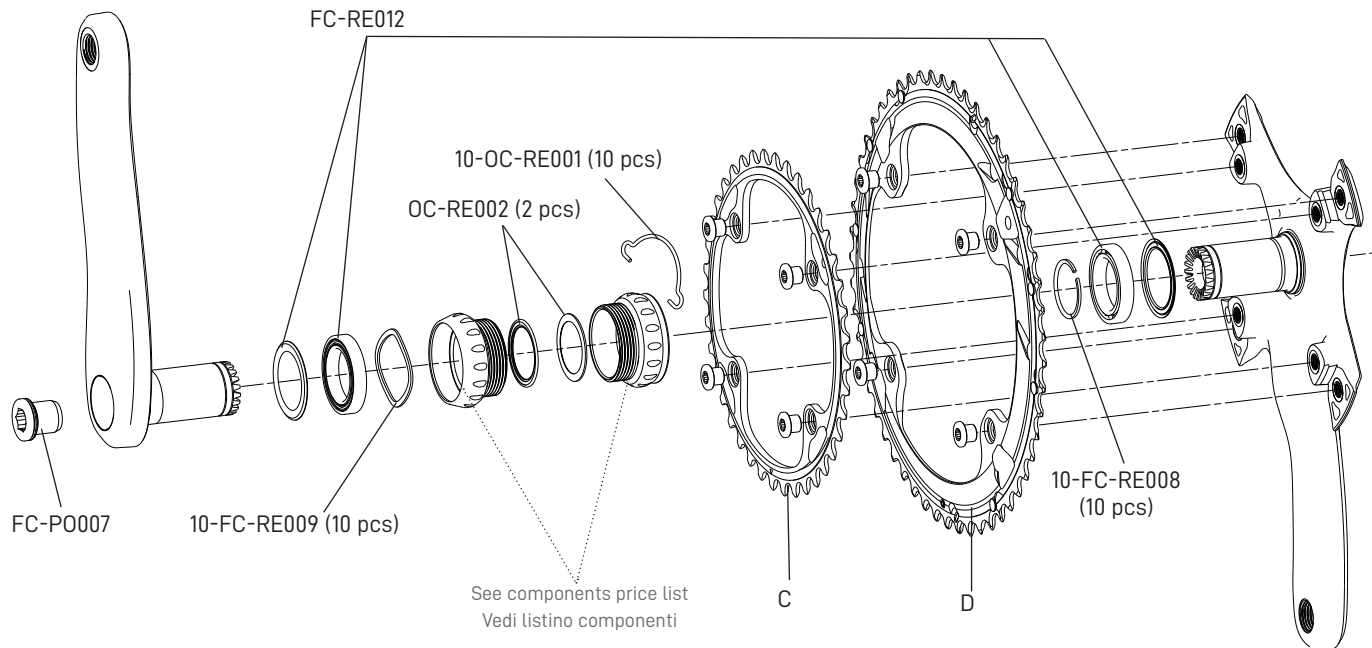
FC-PO100  
KIT VITI / SCREWS&NUTS

B	170 mm 172,5 mm 175 mm	FC-RE087 FC-RE089 FC-RE091
C	Z34 Z36 Z39	FC-SR234 FC-SR136 FC-SR239
D	Z50 for 34 Z52 for 36 Z53 for 39	FC-SR350 FC-SR352 FC-SR353

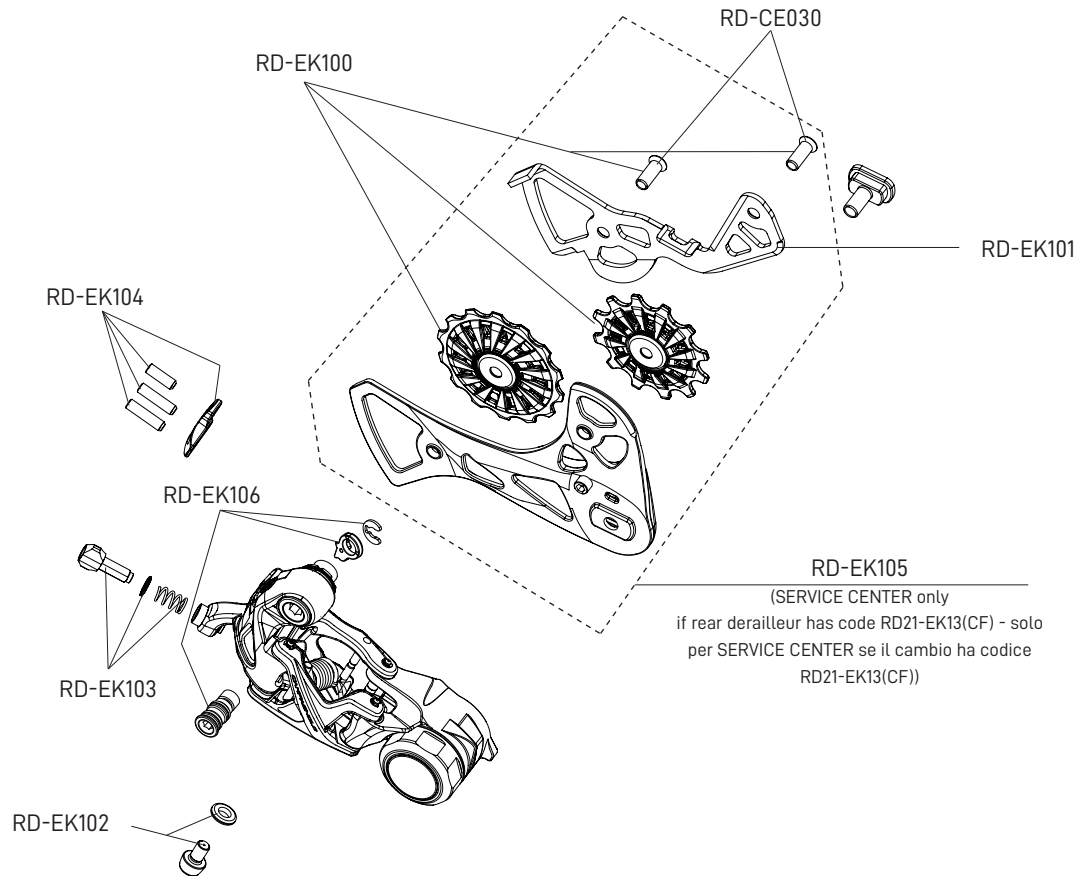


FC-P0100  
KIT VITI / SCREWS&NUTS

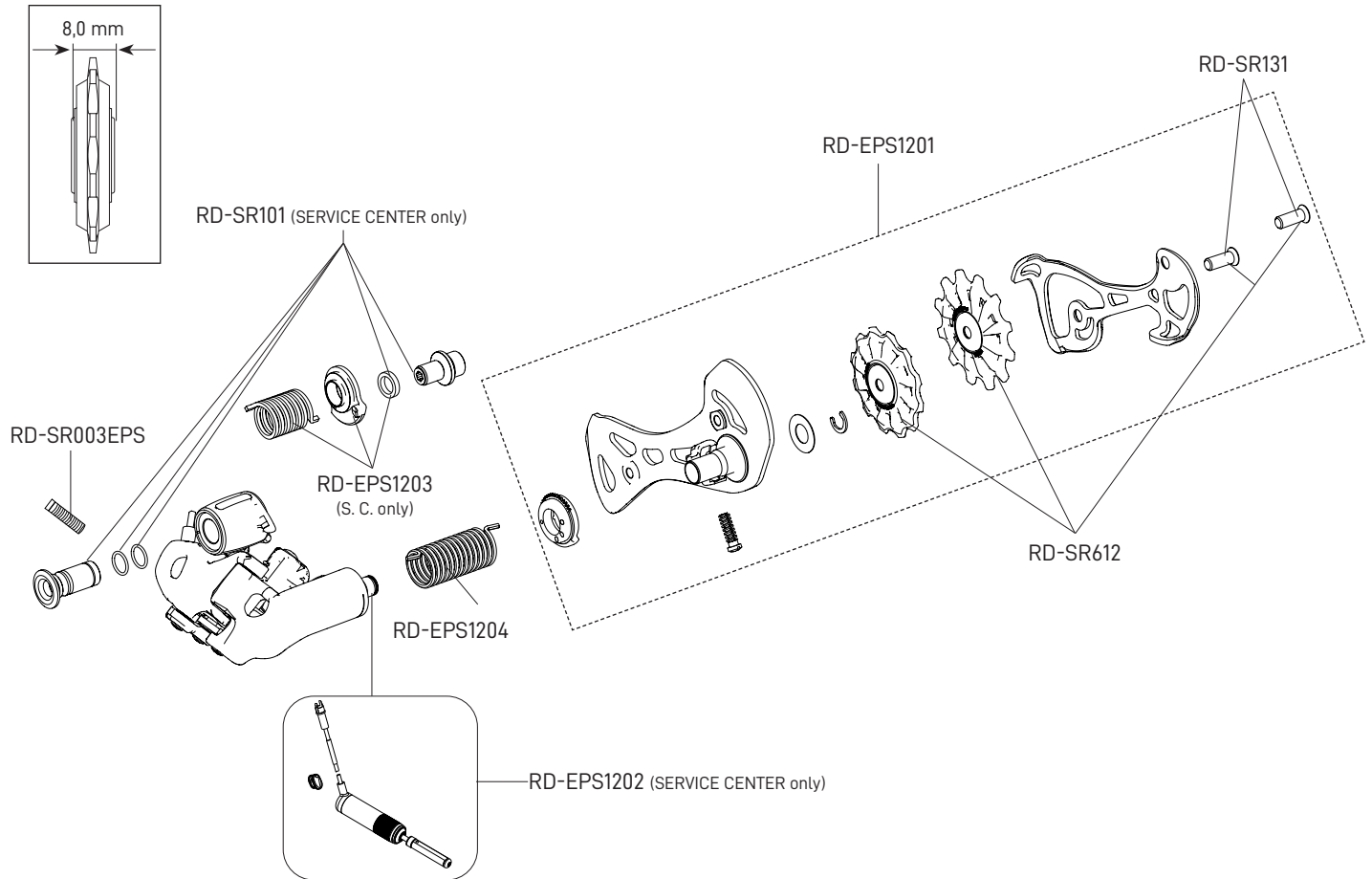
		BLACK	SILVER
C	Z34 Z36	FC-P0134B FC-P0136B	FC-P0134S FC-P0136S
D	Z50 for 34 Z52 for 36	FC-P0150B FC-P0152B	FC-P0150S FC-P0152S



# EKAR 13S

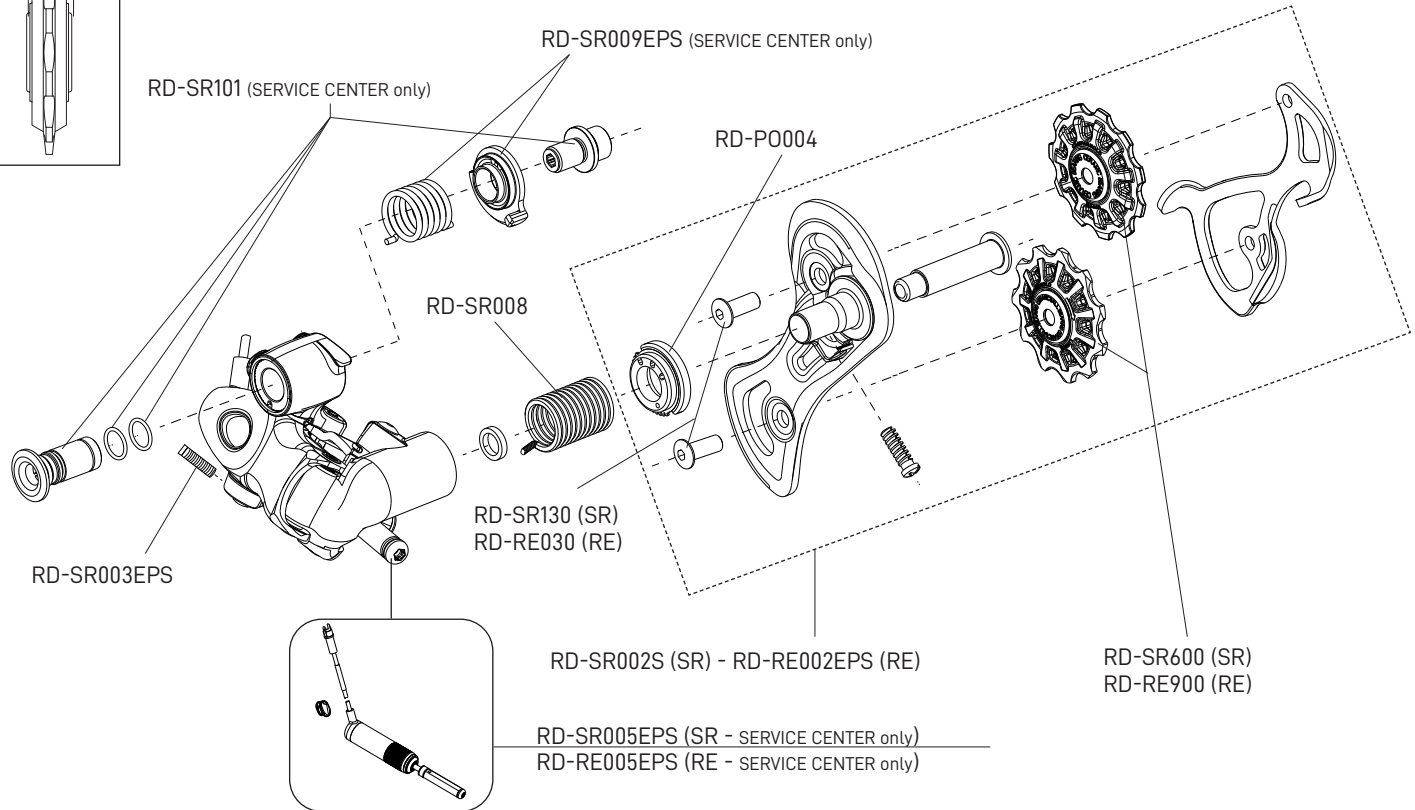
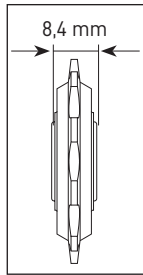


# SUPER RECORD EPS 12S

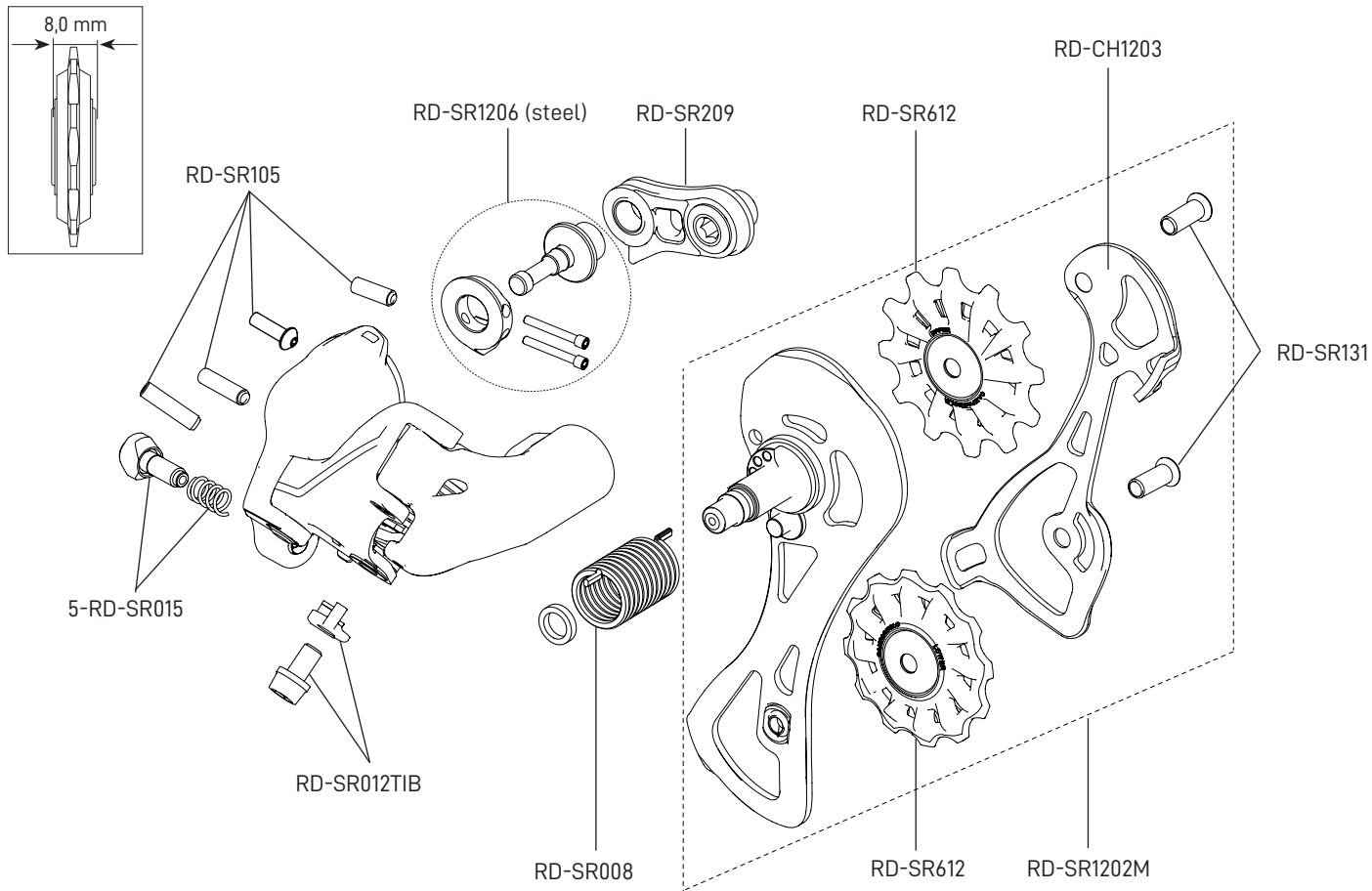




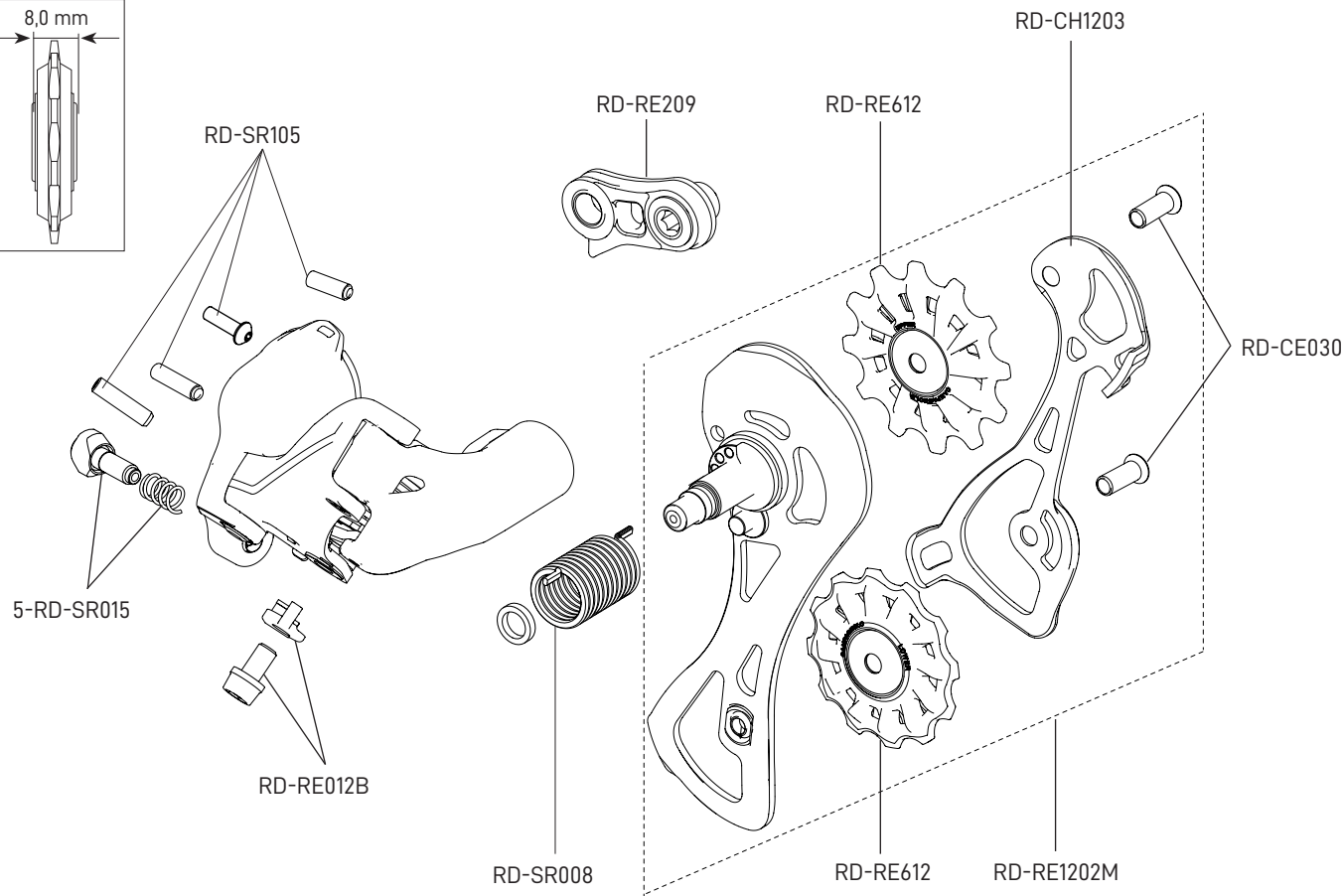
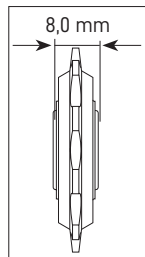
# SUPER RECORD EPS 11S / RECORD EPS 11S



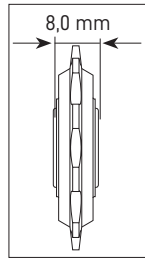
# SUPER RECORD 12S



# RECORD 12S



# CHORUS 12S



RD-CH1203

RD-RE209

RD-RE612

RD-SR105

RD-CE030

5-RD-SR015

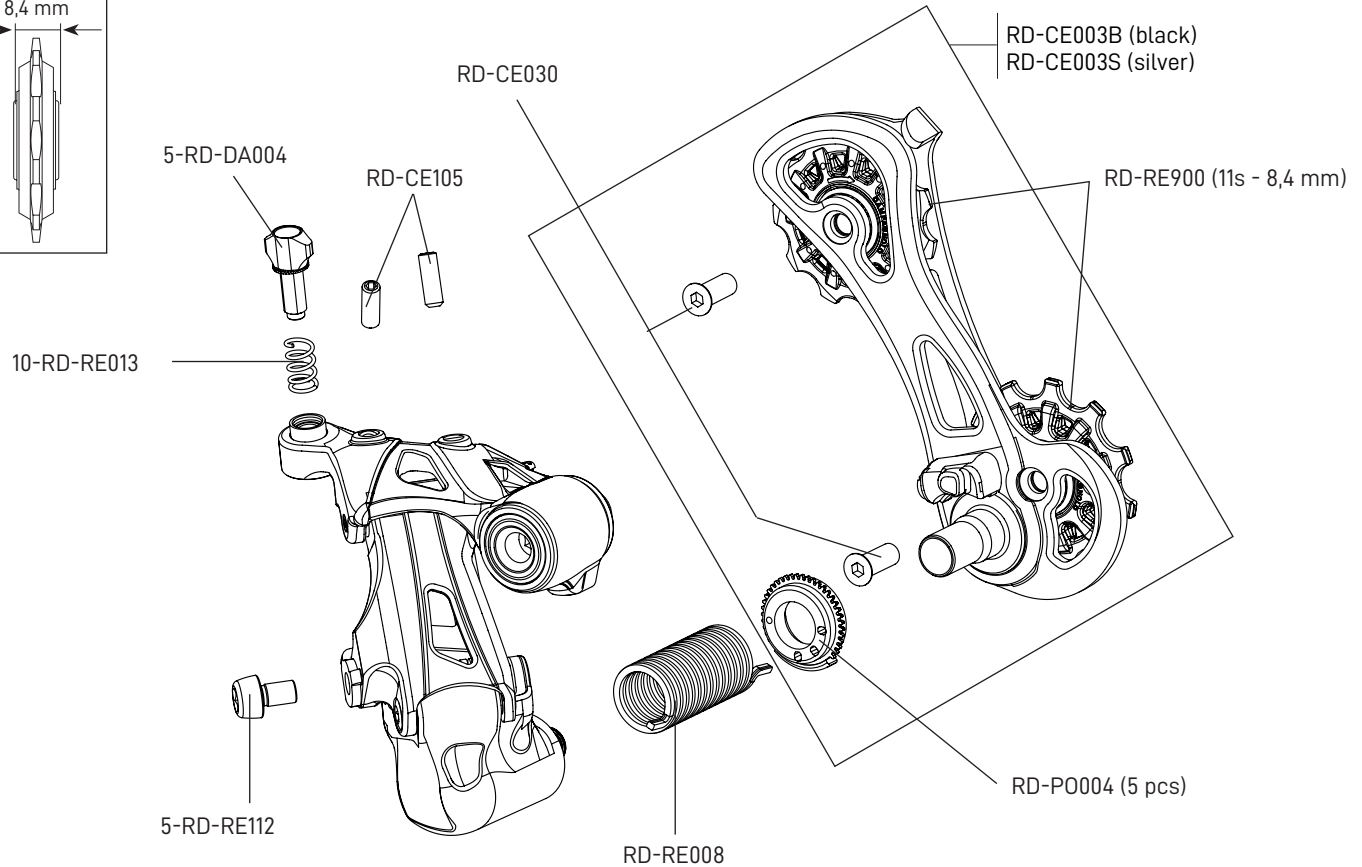
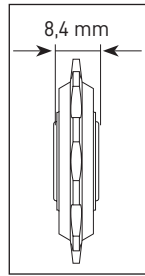
RD-CH1202

RD-SR008

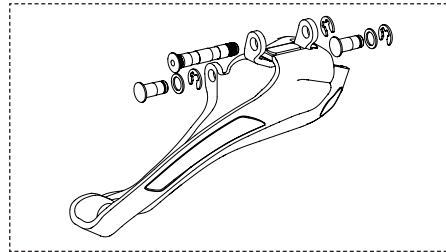
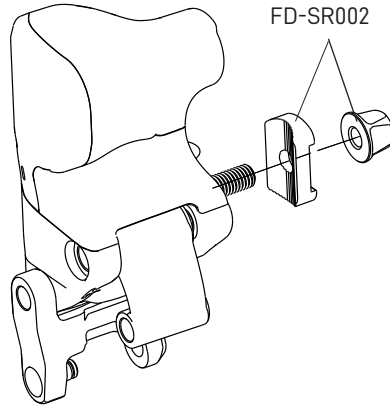
RD-RE612

RD-CH1200

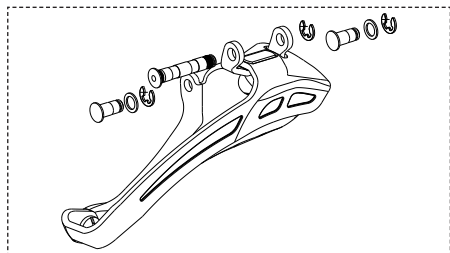
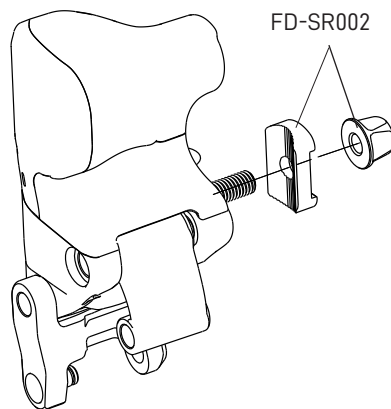
# CENTAUR 11S



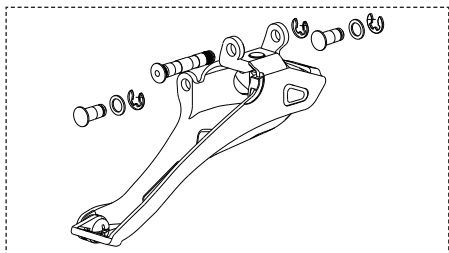
# SUPER RECORD EPS 12S



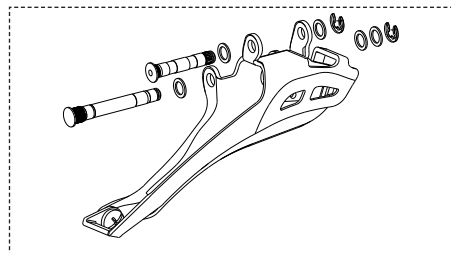
SERVICE CENTER only  
FD-EPS1201



SERVICE CENTER only!  
FD-SR115EPS (SR)

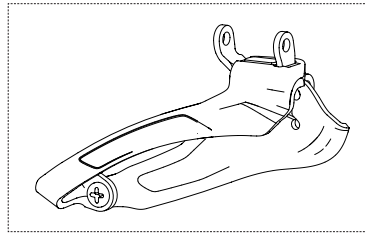


SERVICE CENTER only!  
FD-RE115EPS (RE)

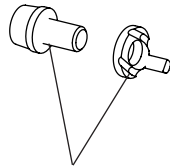


SERVICE CENTER only!  
FD-AT015EPS (CH)

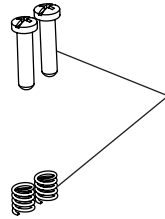
# SUPER RECORD 12S



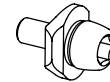
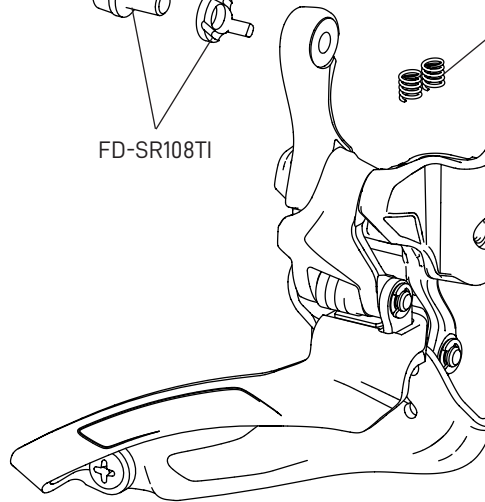
FD-SR215



FD-SR108TI



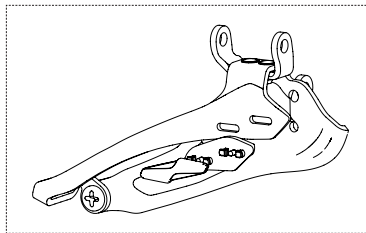
FD-SR122



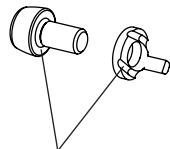
5-FD-VL102



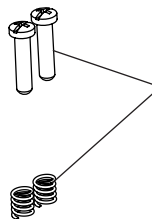
# RECORD 12S



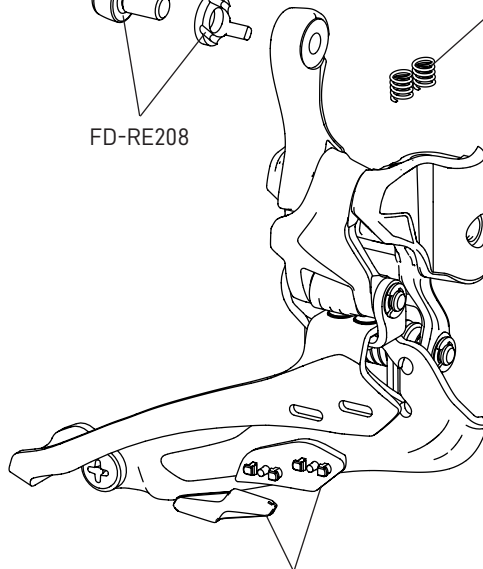
FD-RE315



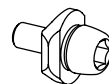
FD-RE208



FD-SR122

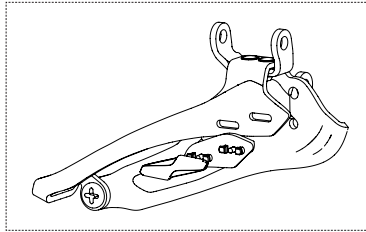


FD-RE216

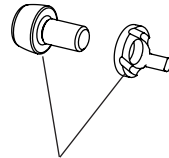


5-FD-VL102

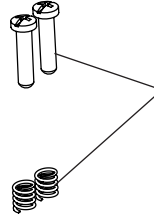
# CHORUS 12S



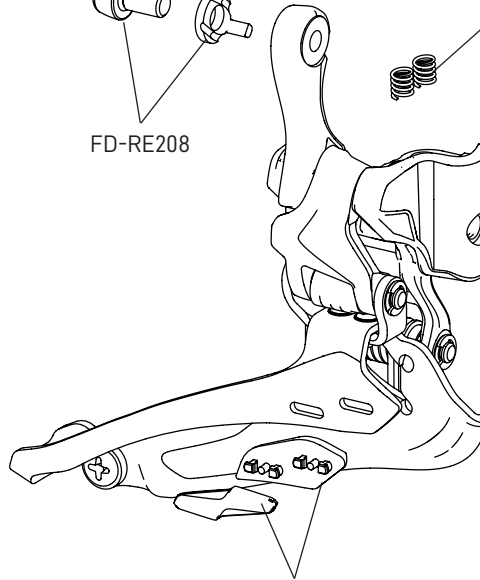
FD-CH1201



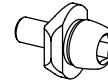
FD-RE208



FD-SR122

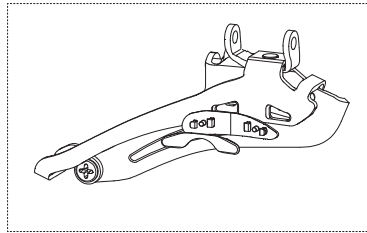


FD-RE216

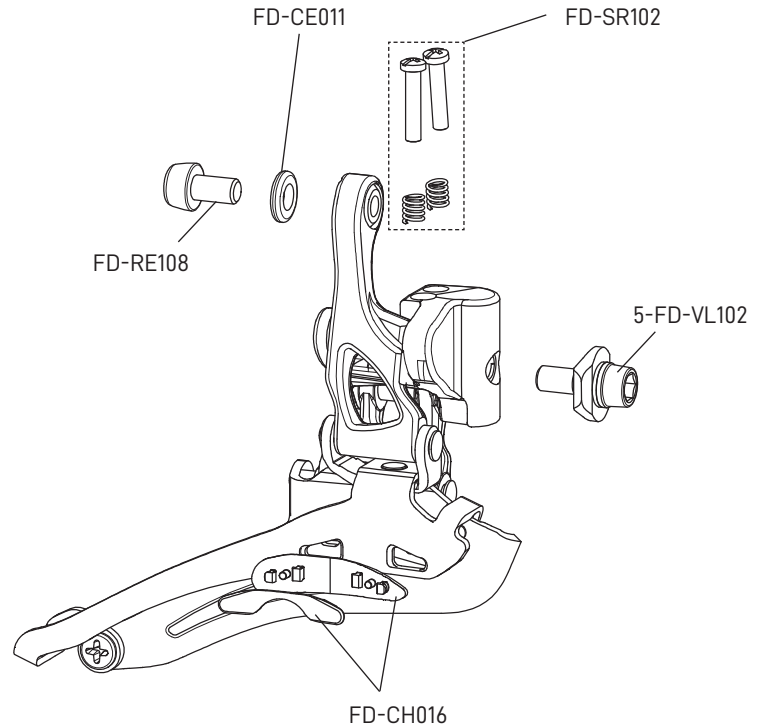


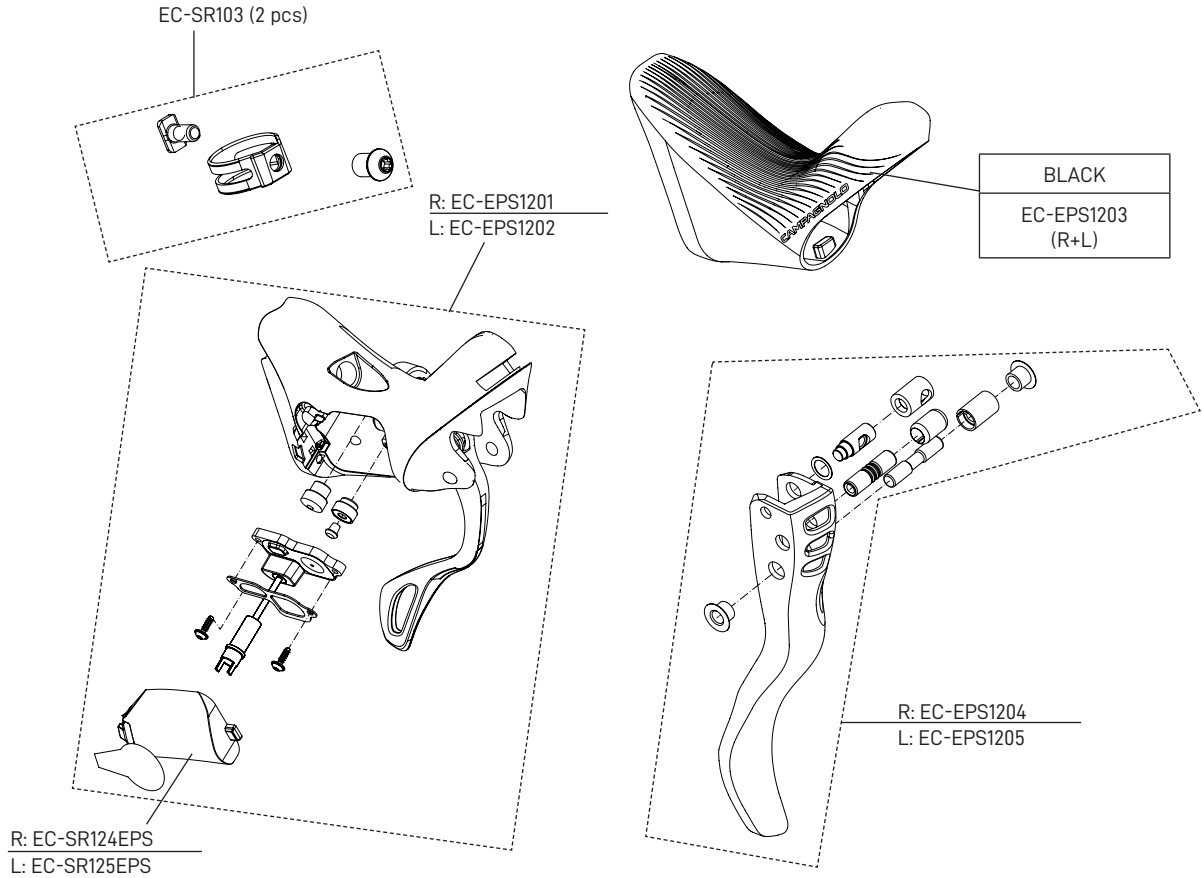
5-FD-VL102

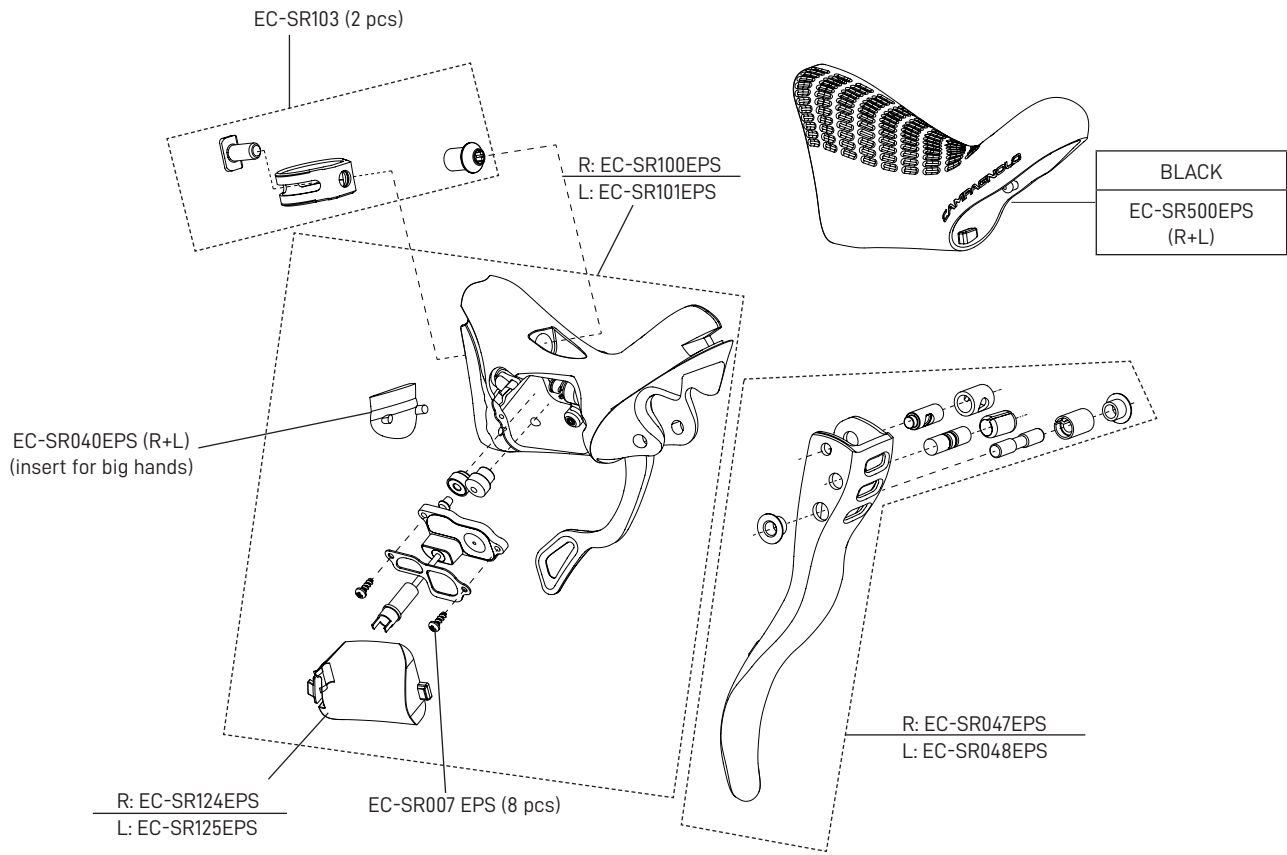
# CENTAUR 11S

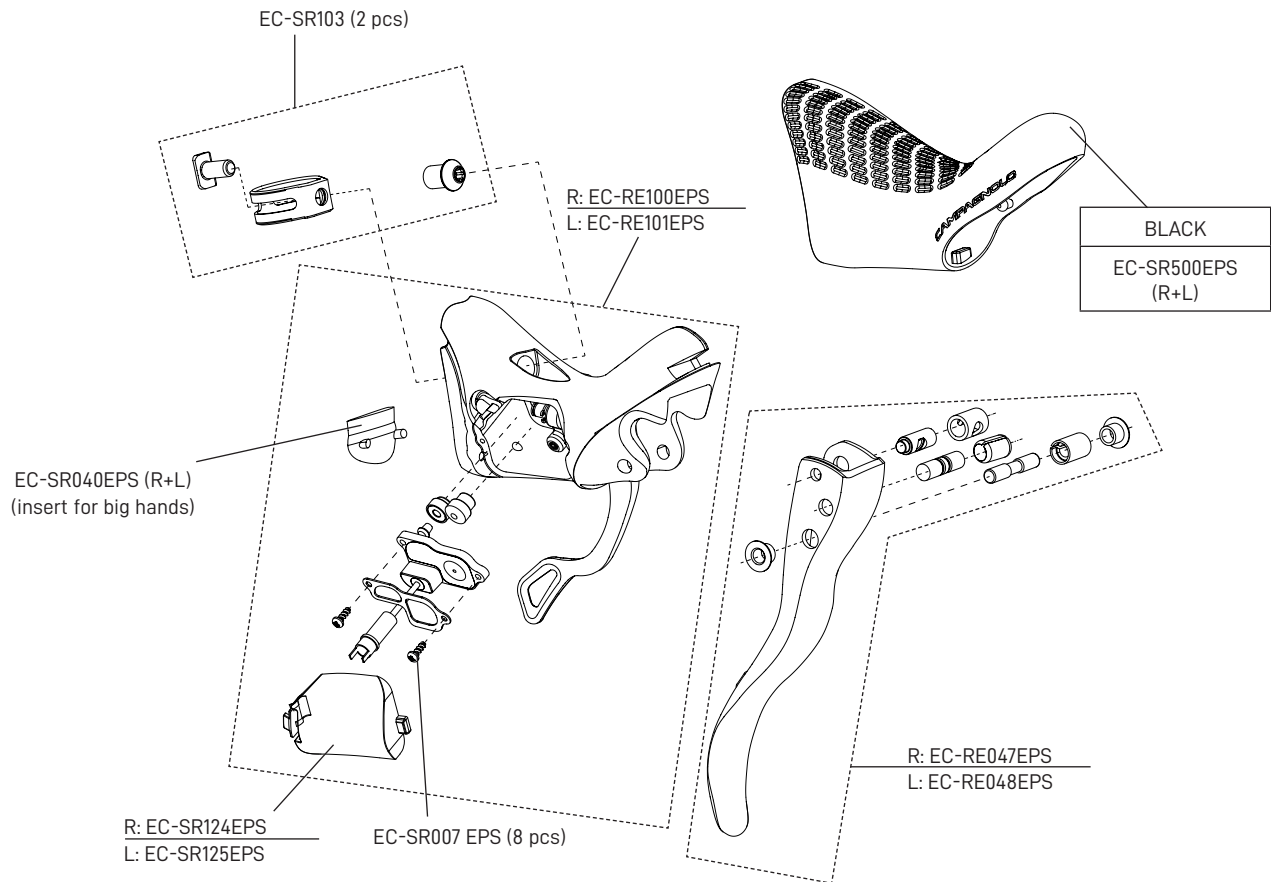


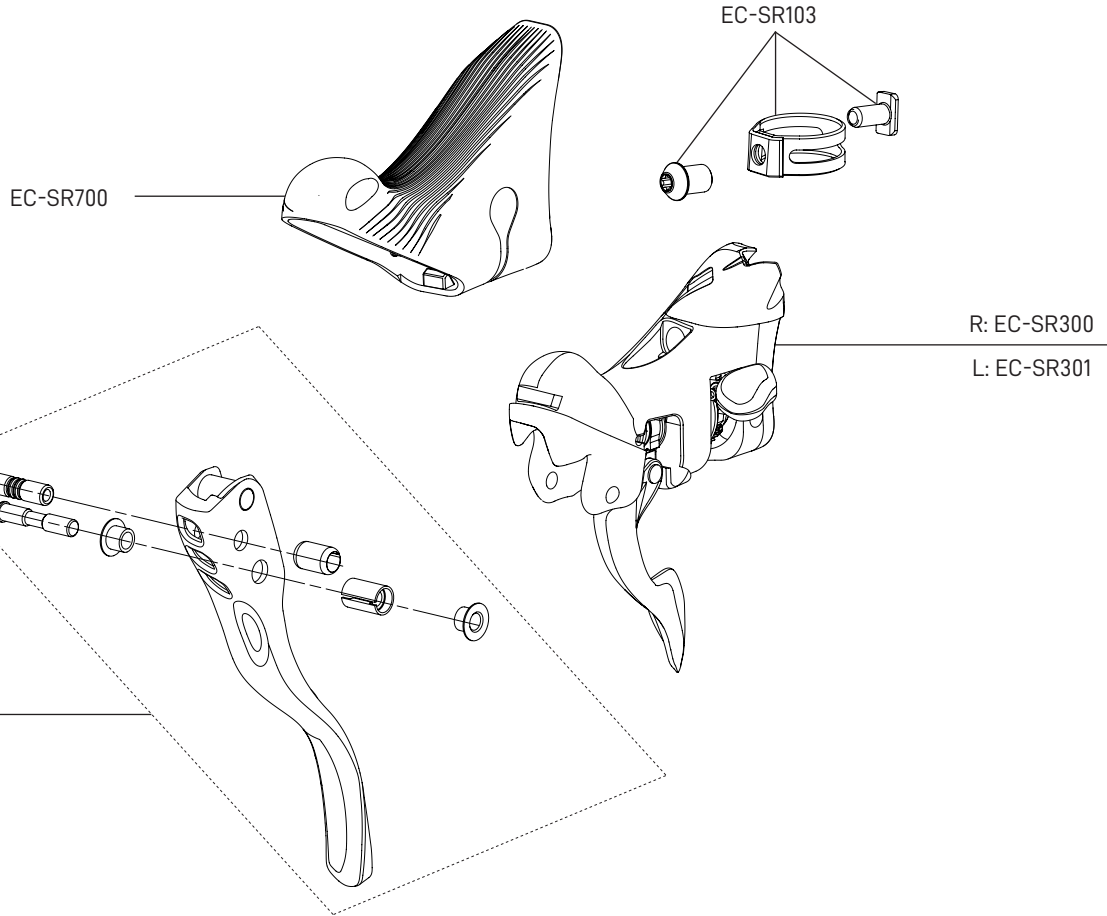
FD-PO015



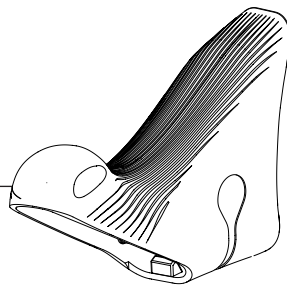




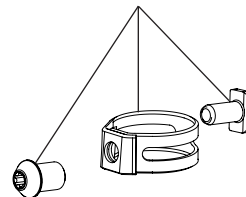




EC-RE700

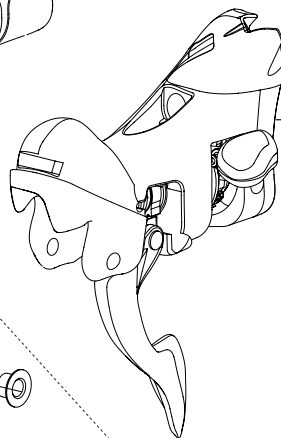


EC-SR103



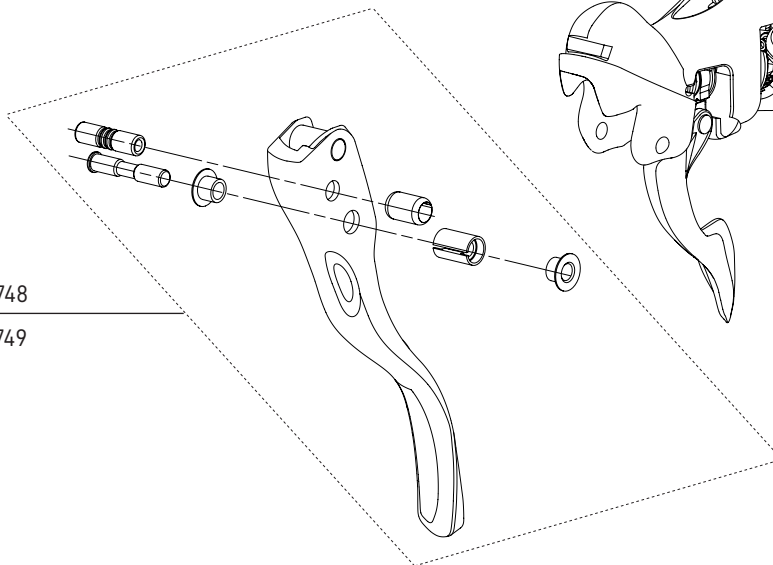
R: EC-RE400

L: EC-RE401



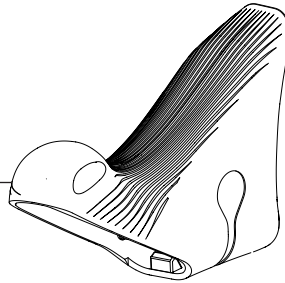
R: EC-RE748

L: EC-RE749

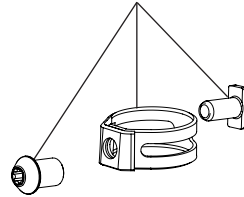




EC-RE700

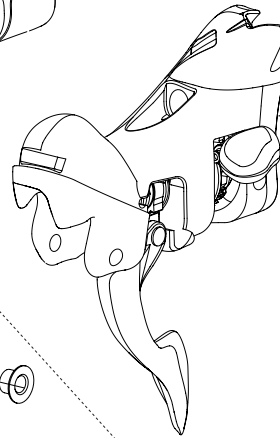


EC-SR103



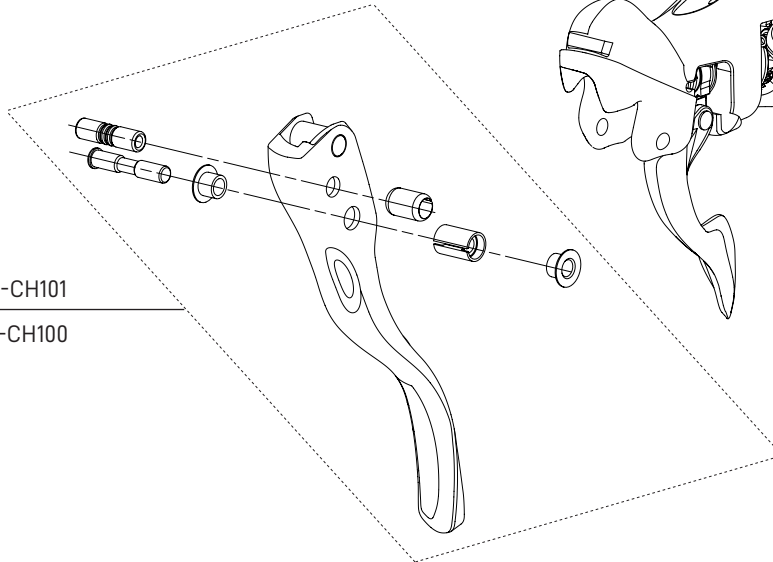
R: EC-RE400

L: EC-RE401

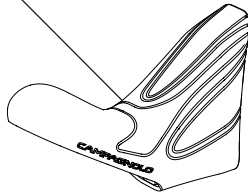


R: EC12-CH101

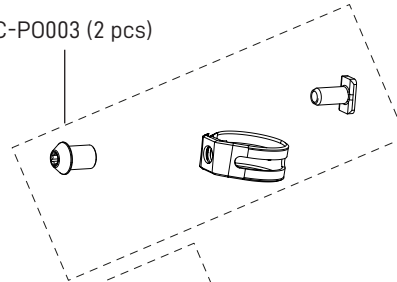
L: EC12-CH100



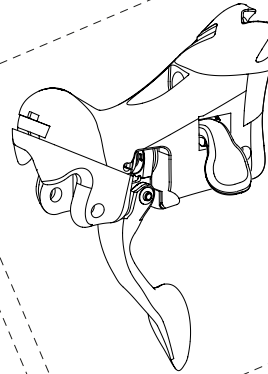
EC-P0500  
(R+L)



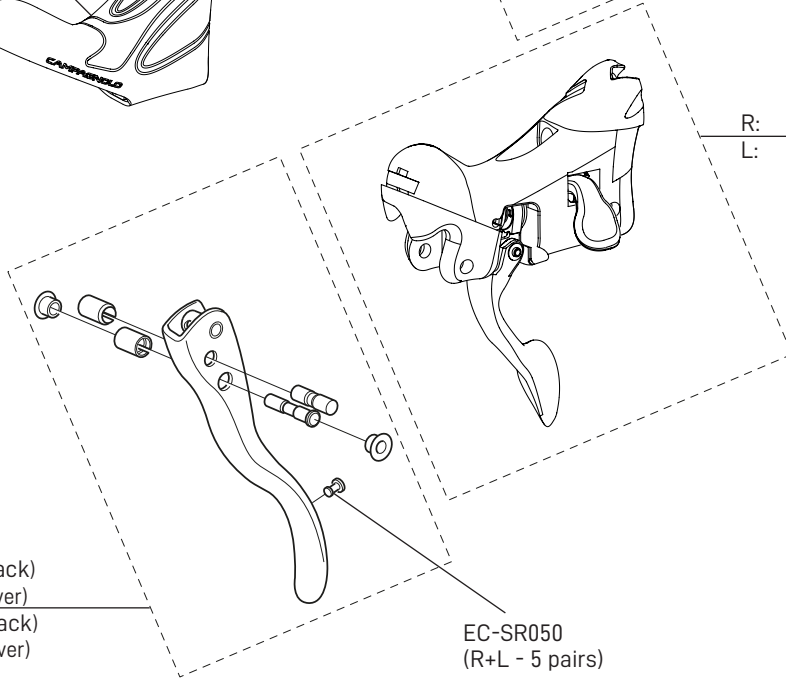
EC-P0003 (2 pcs)



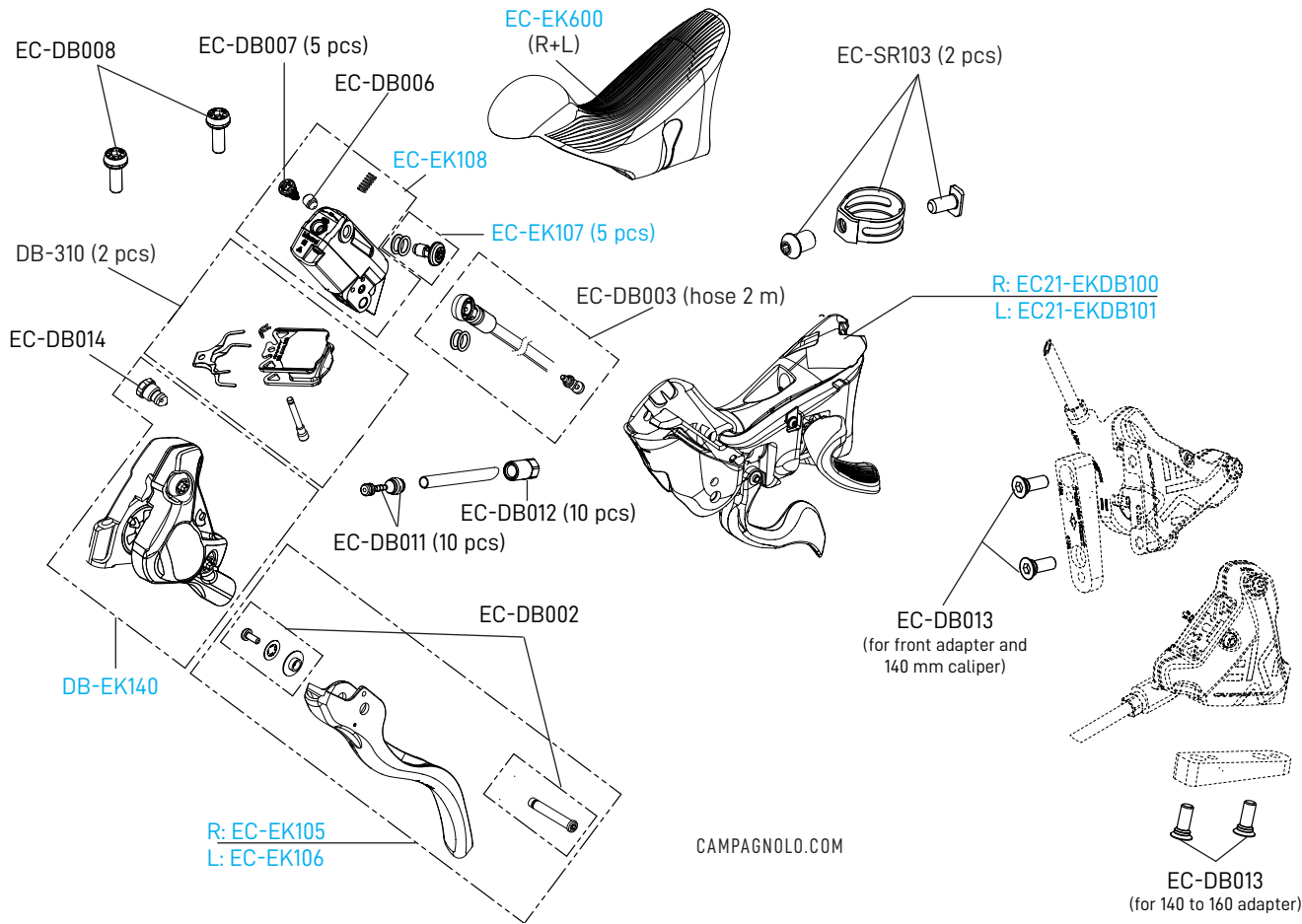
R: EC-CE600 (black/silver)  
L: EC-CE601 (black/silver)

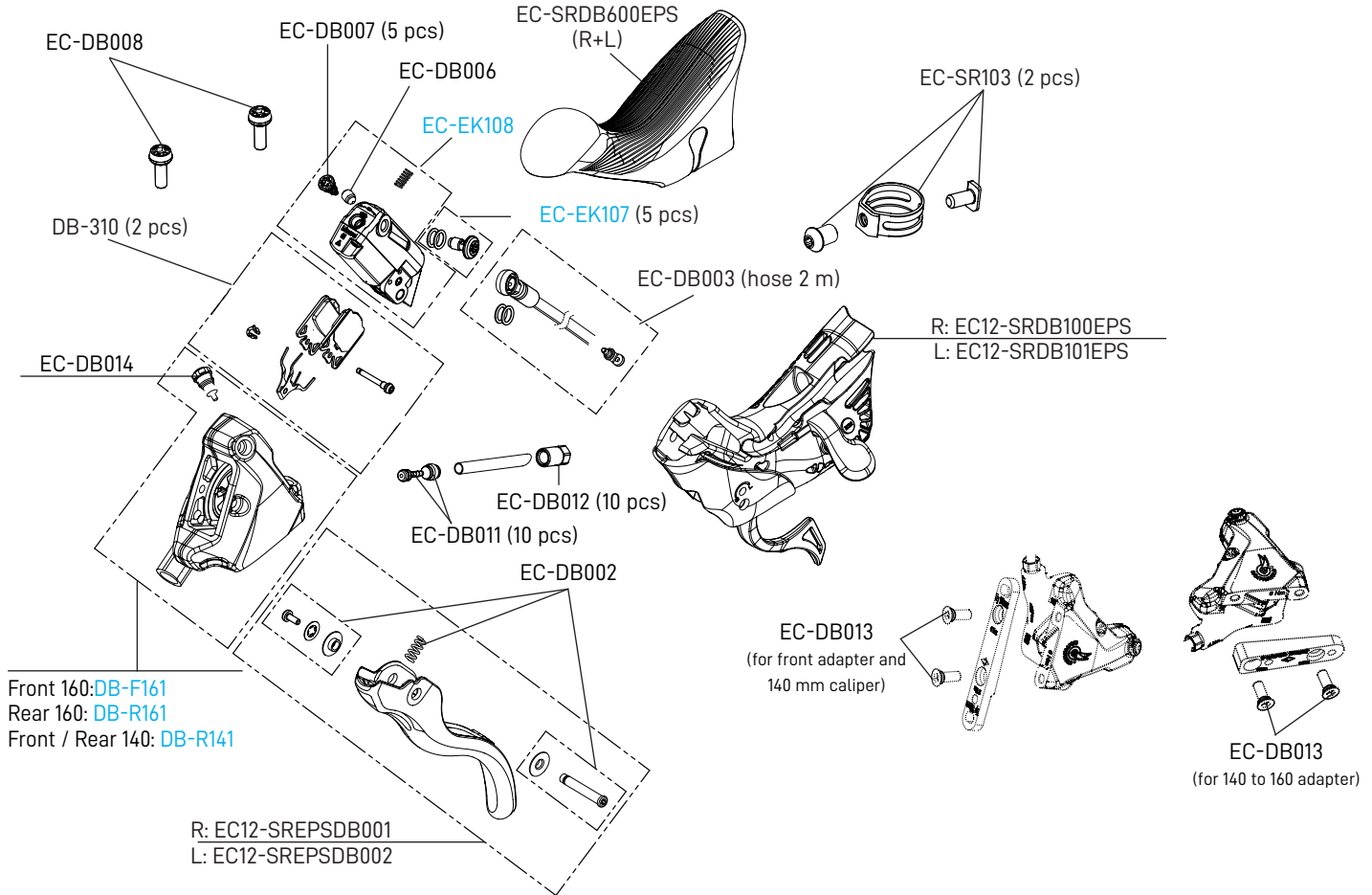


R: EC-CE047B (black)  
EC-CE047S (silver)  
L: EC-CE048B (black)  
EC-CE048S (silver)



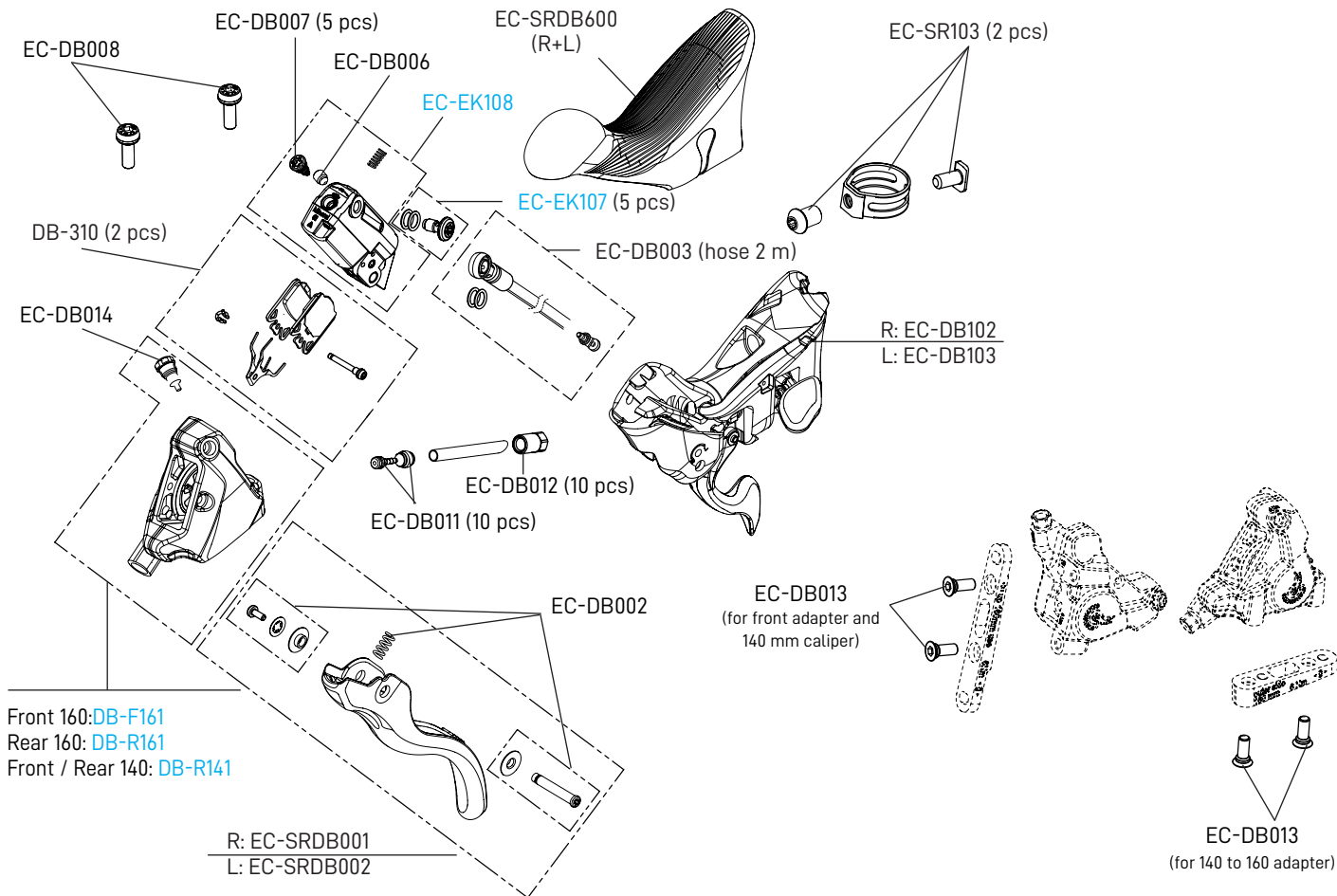
EC-SR050  
(R+L - 5 pairs)

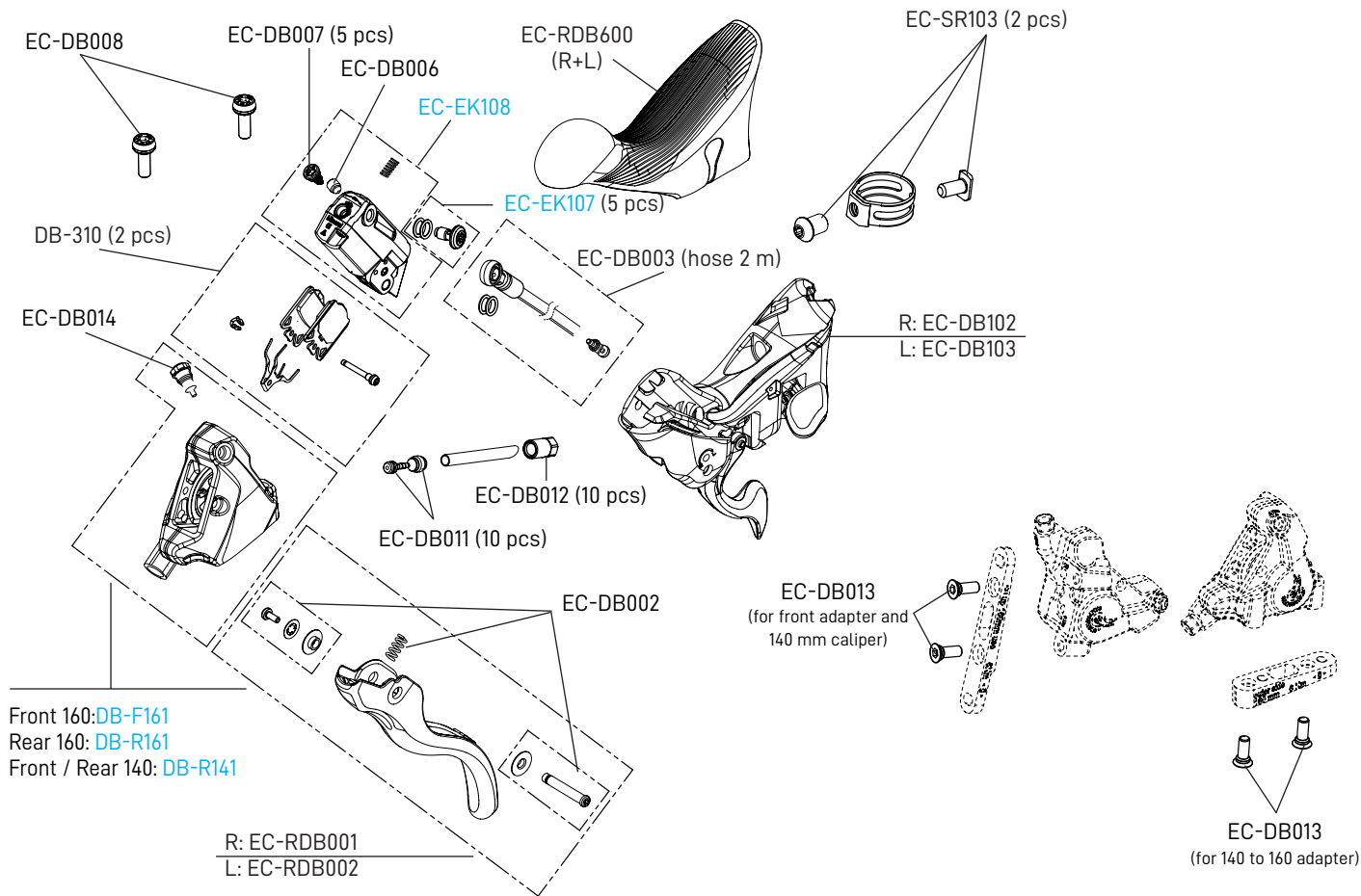


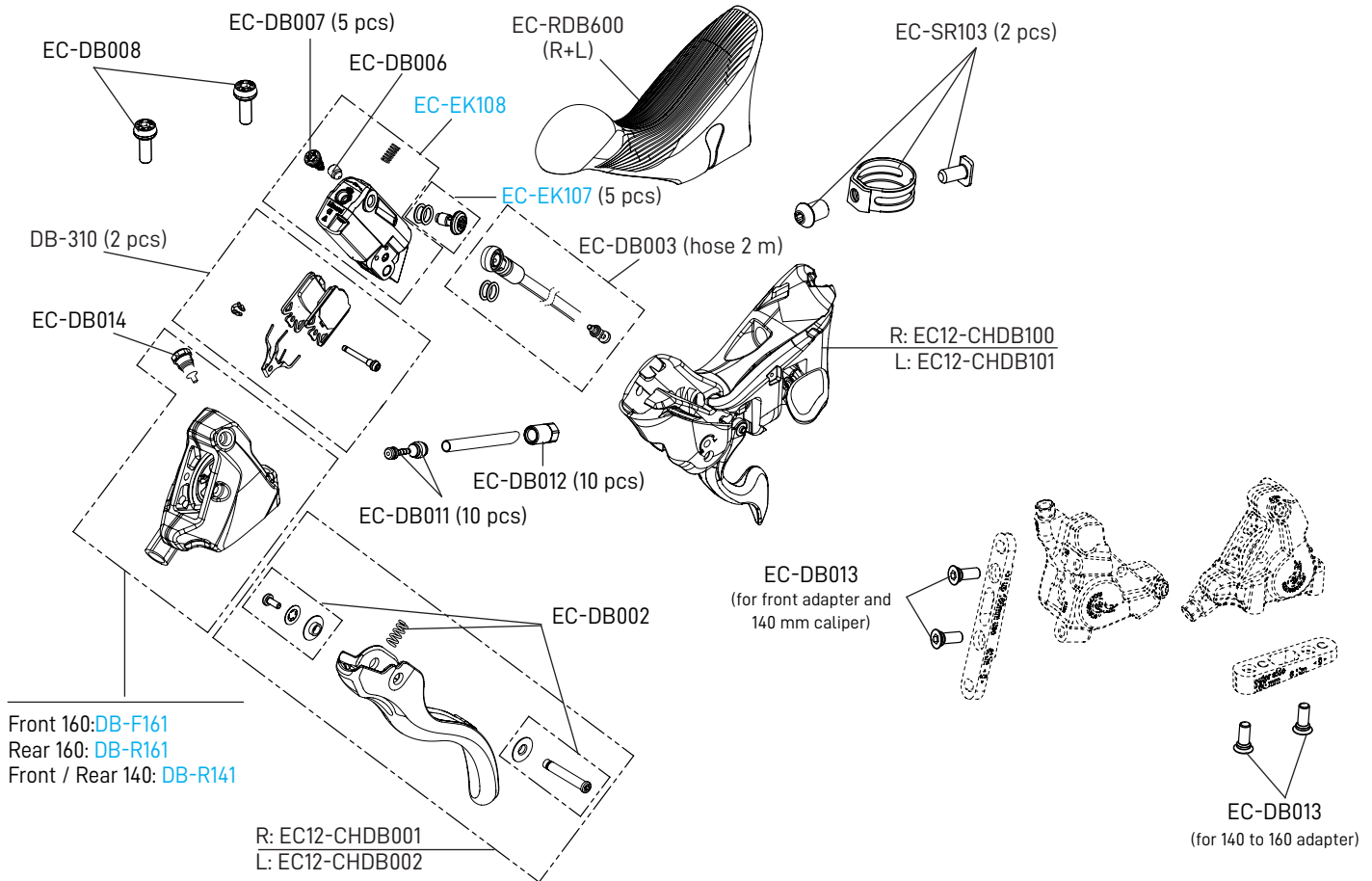


# SUPER RECORD 12S

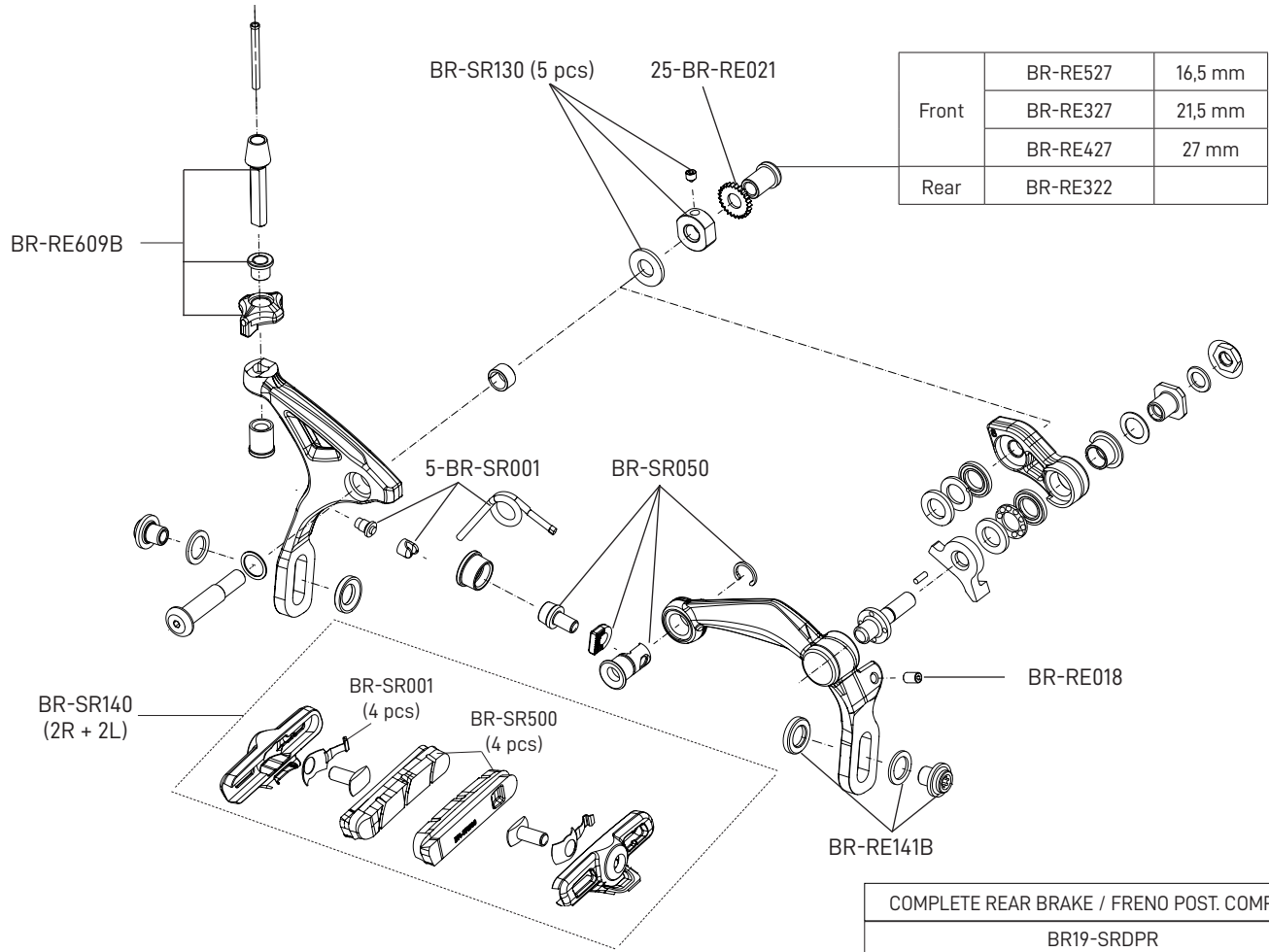
DISC BRAKES







# SUPER RECORD 12S

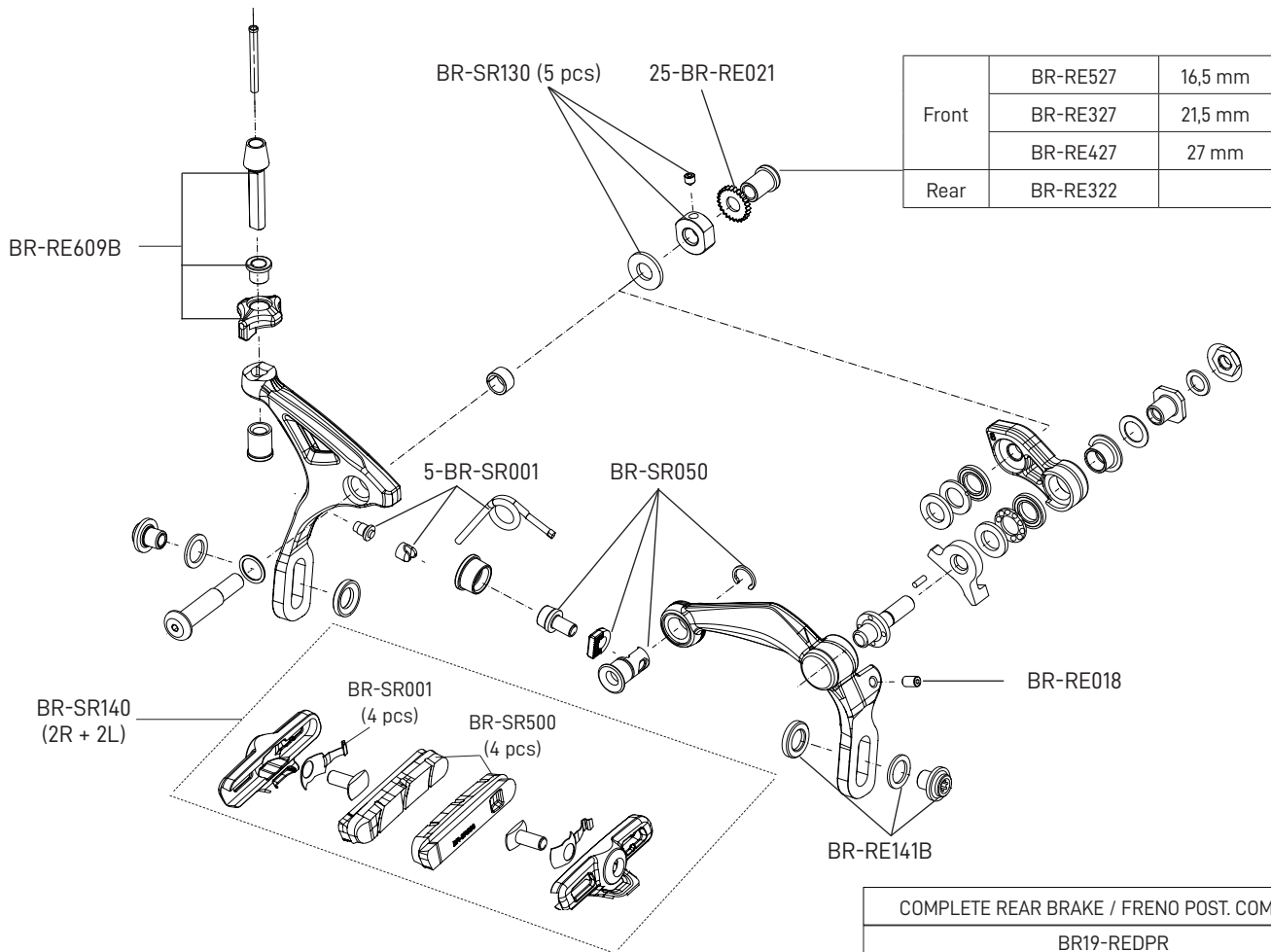


COMPLETE REAR BRAKE / FRENO POST. COMPLETO

BR19-SRDPR

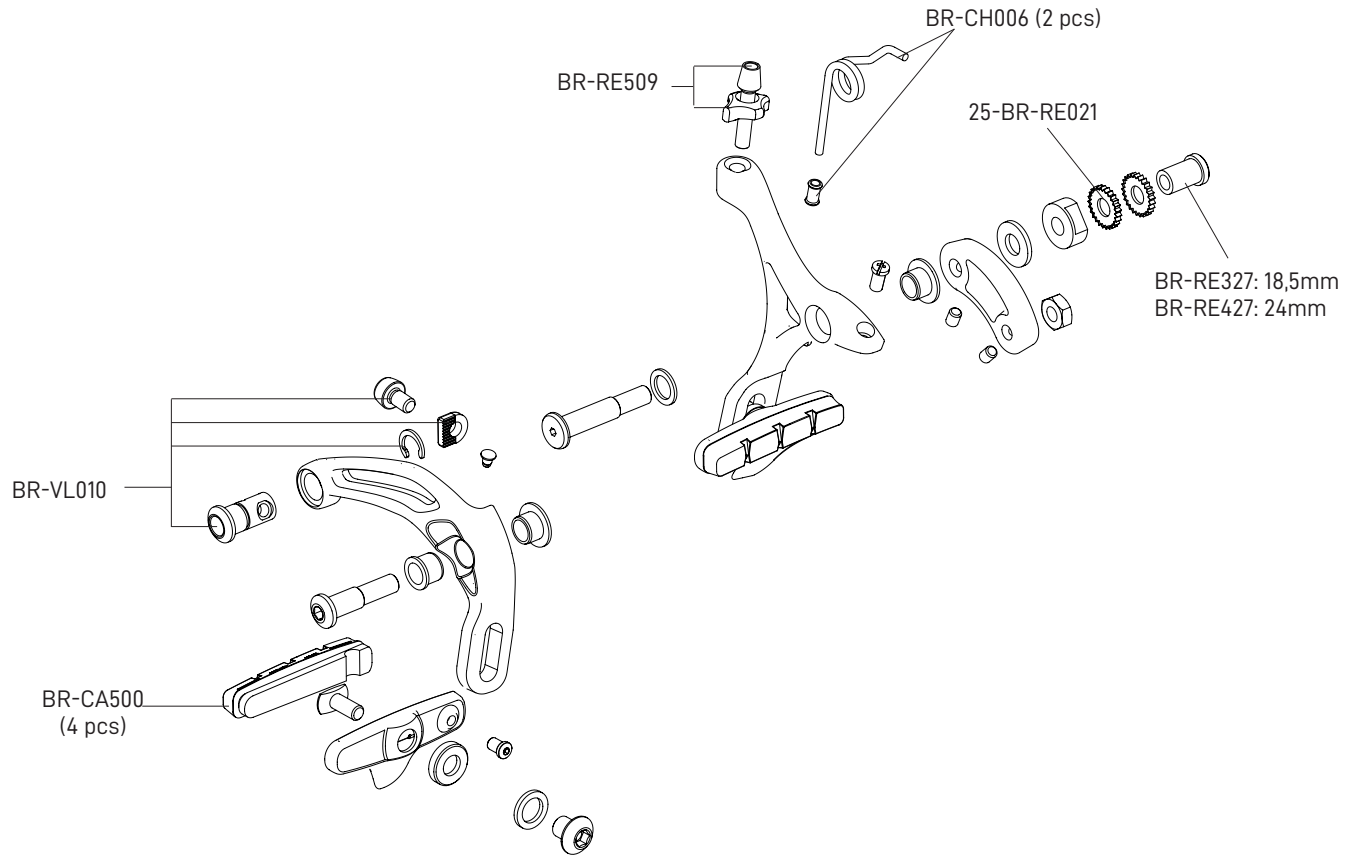


# RECORD 12S

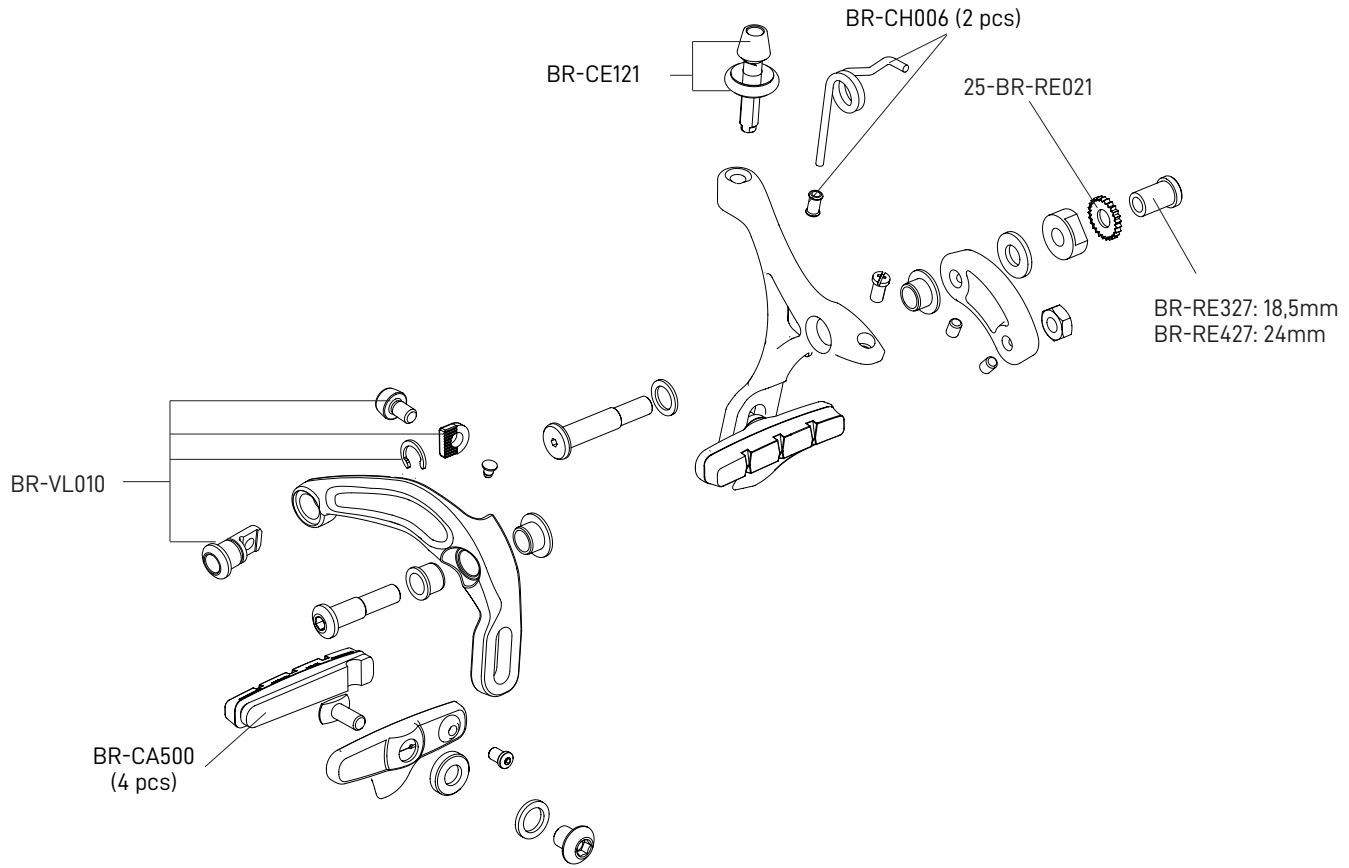


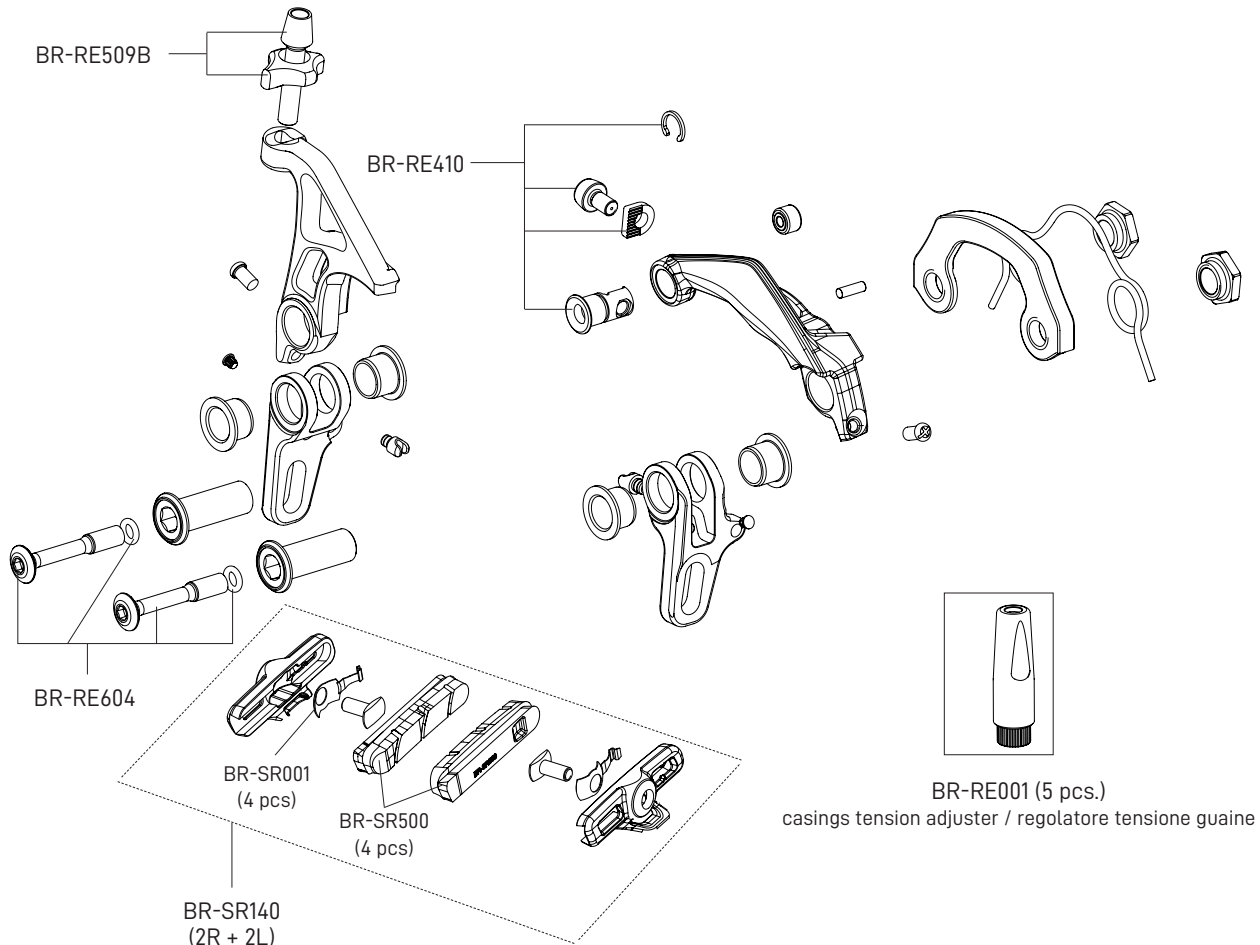
COMPLETE REAR BRAKE / FRENO POST. COMPLETO  
BR19-REDPR

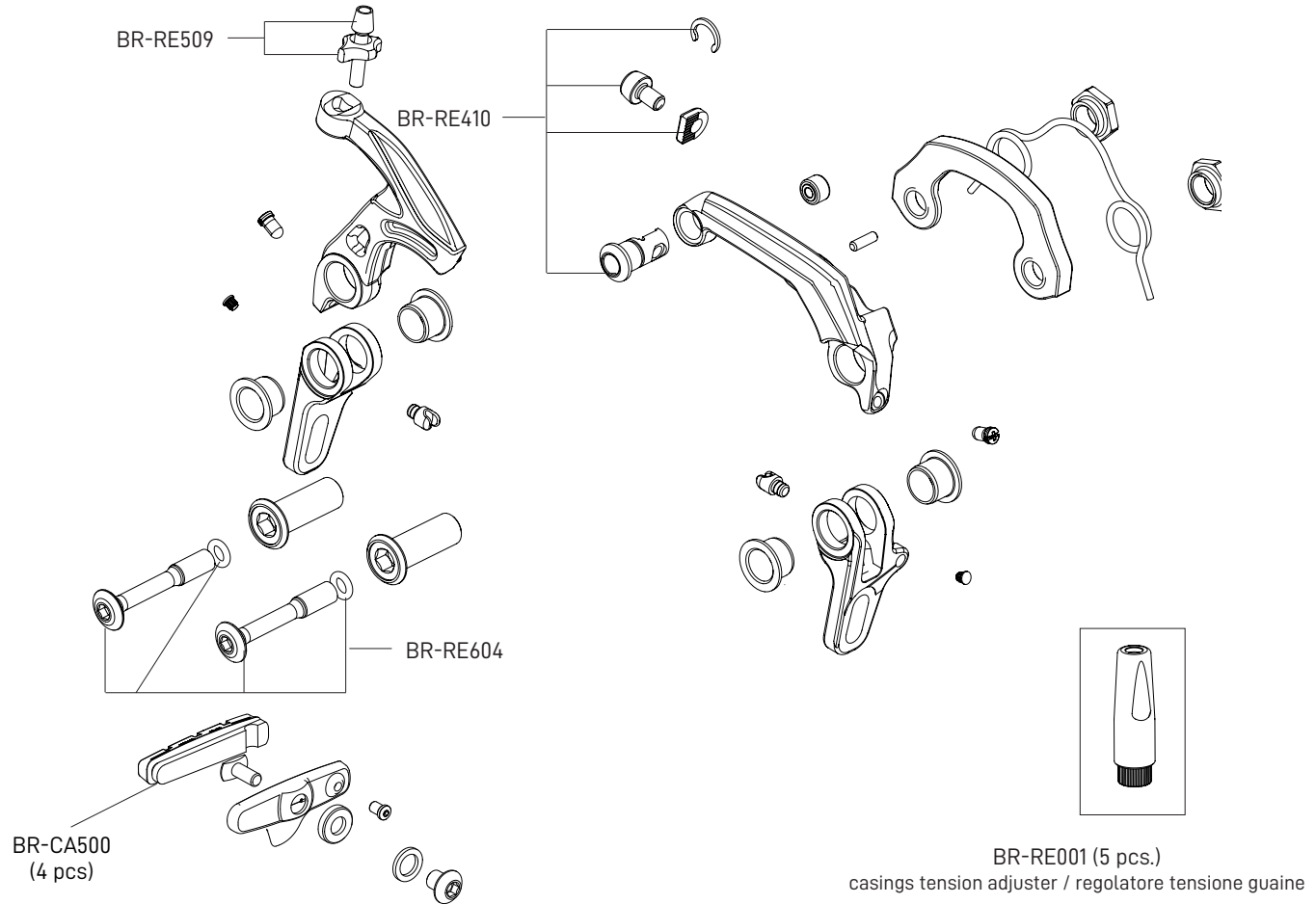
# CHORUS 12S



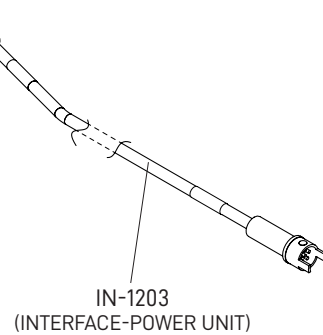
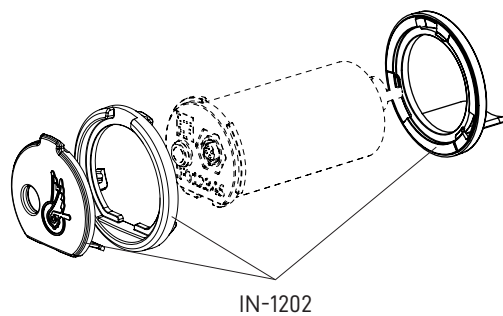
# CENTAUR



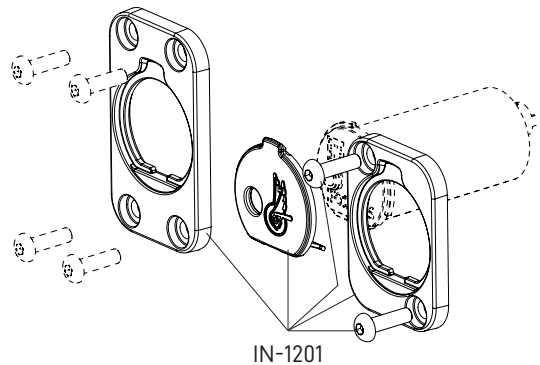


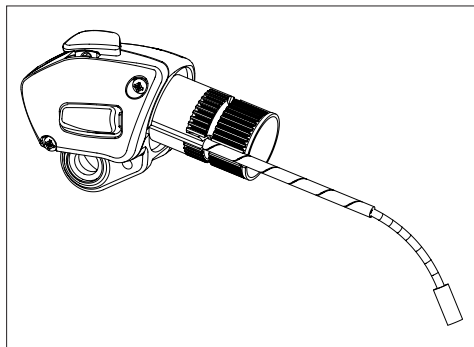


## INTERFACE IN THE HANDLEBAR

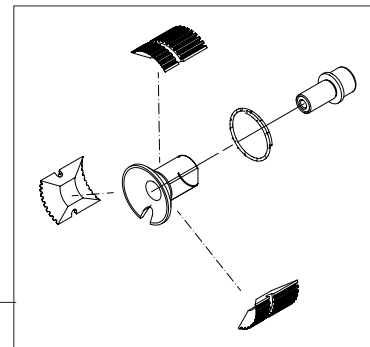


## INTERFACE IN THE FRAME

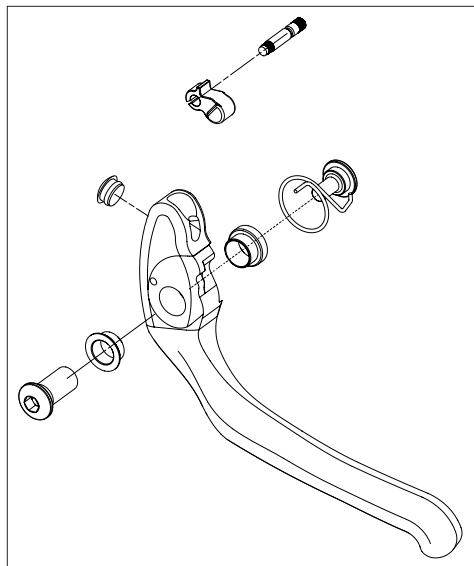




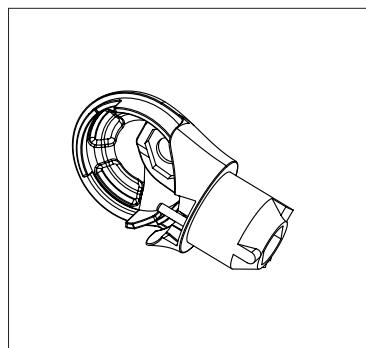
RECORD  
RH: BL-RETT001EPS  
LH: BL-RETT002EPS



SL-TT008EPS





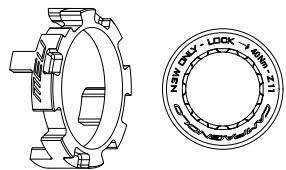


RECORD  
RH: BL-RETT003EPS  
LH: BL-RETT004EPS



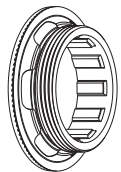



RECORD  
RH: SL-RETT001EPS  
LH: SL-RETT002EPS

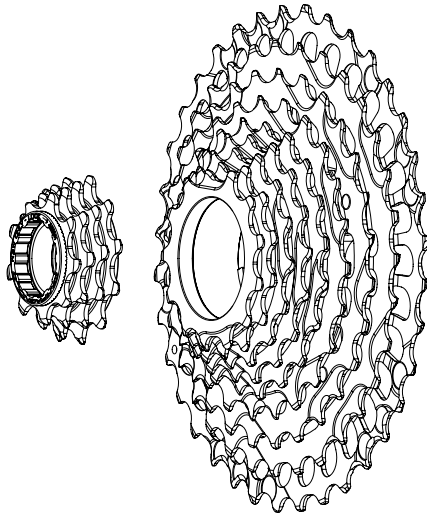
# GHIERE - LOCKRINGS - ECROUS - VERSCHLUSSRING

	CODE CODICE	TYPE TIPO		RANGE GAMMA	HUB COMPATIBILITY COMPATIBILITÀ MOZZI
		<b>13s</b>	steel / acciaio	2021	integrated in sprocket sets 9-36 and 9-42 / integrata nei pacchi pignoni 9-36/9-42
	<b>CS-700</b>	<b>13s</b>	alloy/alluminio	2021	only 13s 10-44 sprocket sets / solo pacchi pignoni 13s 10-44
	<b>CS-702</b>	<b>13s</b>	alloy/alluminio	2021	only 11-12s (1° sprocket Z11) sprocket sets, for N3W body with adapter / solo pacchi pignoni 11-12s con 1° pignone Z11, per corpetto r.l. N3W con adattatore
	<b>CS-703</b>	<b>13s</b>	alloy/alluminio	2021	only 11-12s (1° sprocket Z12) sprocket sets, for N3W body with adapter / solo cassette pignoni 11-12s con 1° pignone Z12, per corpetto r.l. N3W con adattatore
			alloy/alluminio	2021	To the N3W f.w. body, to be compatible with 11-12s, you need: N3W adapter + lockring (CS-702): AC21-N3W (See component price list): Corpetto r.l. N3W, per essere compatibile 11-12s, serve: adattatore N3W + ghiera (CS-702): AC21-N3W (Vedi Listino componenti)



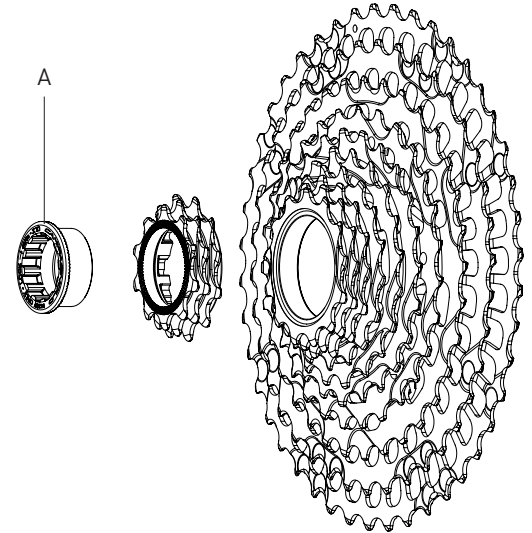
# GIHERE - LOCKRINGS - ECROUS - VERSCHLUSSRING

	CODE CODICE	TYPE TIPO	RANGE GAMMA	HUB COMPATIBILITY COMPATIBILITÀ MOZZI
	<b>CS-511</b>	<b>12s only</b> thread/fil.: 27 x 1	alloy / alluminio (for Z. 11)  2019 e succ. 2019 and following	only 12 sprocket sets / solo pacchi pignoni 12s
	<b>CS-412</b>	<b>11s only</b> thread/fil.: 27 x 1	steel / acciaio  2017 e succ. 2017 and following	only 11 sprocket sets / solo pacchi pignoni 11s
	<b>CS-411</b>	<b>11s only</b> thread/fil.: 27 x 1	steel / acciaio (for Z. 11)  2017 e succ. 2017 and following	only 11 sprocket sets / solo pacchi pignoni 11s
	<b>CS-112</b>	<b>11s only</b> thread/fil.: 27 x 1	alloy / alluminio  2009 e succ. 2009 and following	only 11 sprocket sets / solo pacchi pignoni 11s
	<b>CS-111</b>	<b>11s only</b> thread/fil.: 27 x 1	alloy / alluminio (for Z. 11)  2009 e succ. 2009 and following	only 11 sprocket sets / solo pacchi pignoni 11s
	<b>CS-401</b>	<b>9s / 10s</b> "oversize" thread/fil.: 27 x 1	steel / acciaio  2000 e succ. 2000 and following  1999	all groups / tutti i gruppi all wheels / tutte le ruote  RECORD™ - CHORUS™ all wheels / tutte le ruote
	<b>CS-501</b>	<b>9s / 10s</b> "oversize" thread/fil.: 27 x 1	steel / acciaio (for Z. 11)  2000 e succ. 2000 and following  1999	all groups / tutti i gruppi all wheels / tutte le ruote  RECORD™ - CHORUS™ all wheels / tutte le ruote



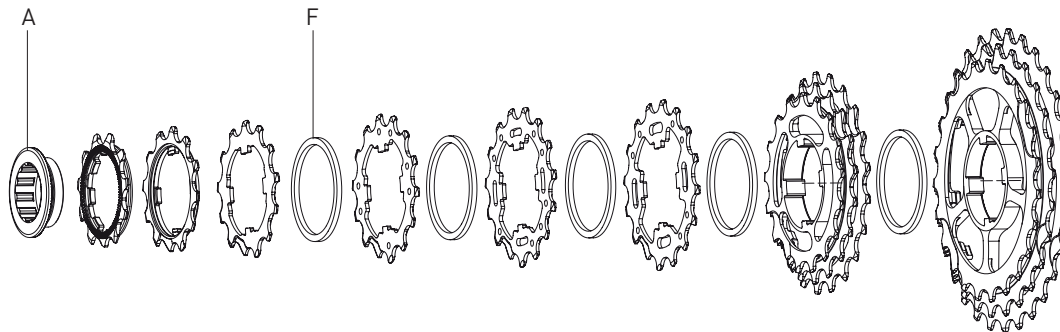
9-36	9-10-11-12	13-14-16-18-20-23-27-31-36
	13S-912	NOT AVAILABLE
9-42	9-10-11-12	13-14-16-18-21-25-30-36-42
	13S-912	NOT AVAILABLE

A	CS-700	<b>13s only</b> (for Z 10)
---	--------	-------------------------------



10-44	10-11-12 +A	13-14-15-17-19-22-26-32-38-44
	13S-1012	NOT AVAILABLE

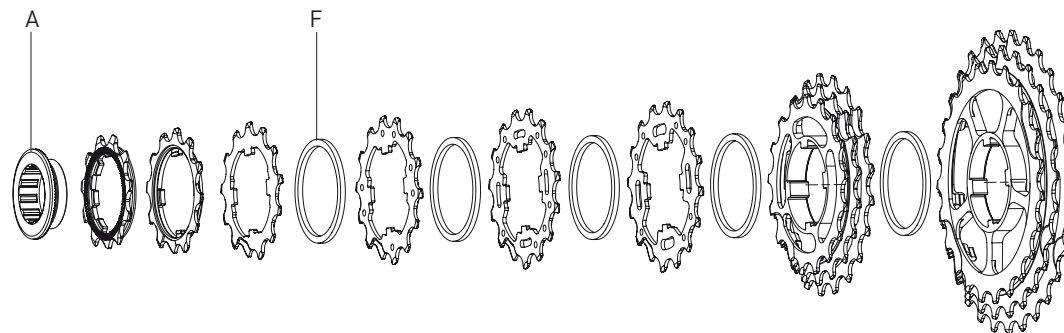
A	CS-511	<b>12s only</b> (for Z 11)
F	5-CS-812 (5 pcs)	2,0 mm



11 - 29	A	11A-1°	12A-2°	13A	F	14A	F	15A	F	16A	F	17A-19A-21A*	F	23A-26A-29A*
		12S-011	12S-012	12S-013		12S-014		12S-015		12S-016		12S-791		12S-369
11 - 32	A	11A-1°	12A-2°	13A	F	14A	F	15A	F	16A	F	17A-19A-22A*	F	25A-28A-32A*
		12S-011	12S-012	12S-013		12S-014		12S-015		12S-016		12S-792		12S-5832
11 - 34	A	11A-1°	12A-2°	13A	F	14A	F	15A	F	16A	F	17A-19A-22A*	F	25A-29A-34A*
		12S-011	12S-012	12S-013		12S-014		12S-015		12S-016		12S-792		12S-5934

\* monoblock piece

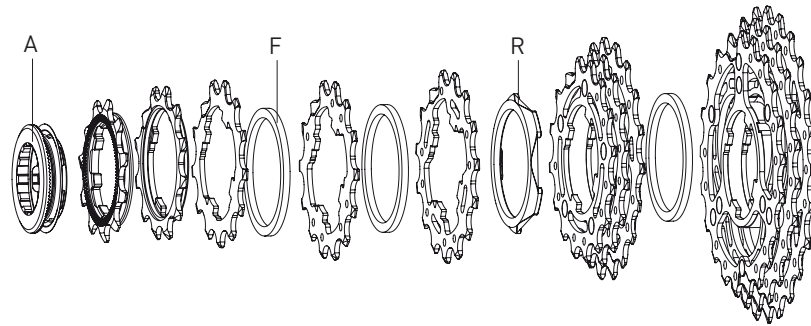
A	CS-511	<b>12s only</b> (for Z 11)
F	5-CS-812 (5 pcs)	2,0 mm



11 - 29	A	11A-1°	12A-2°	13A	F	14A	F	15A	F	16A	F	17A-19A-21A*	F	23A-26A-29A*
		12S-011	12S-012	12S-013		12S-014		12S-015		12S-016		12S-CH791		12S-CH369
11 - 32	A	11A-1°	12A-2°	13A	F	14A	F	15A	F	16A	F	17A-19A-22A*	F	25A-28A-32A*
		12S-011	12S-012	12S-013		12S-014		12S-015		12S-016		12S-CH792		12S-CH5832
11 - 34	A	11A-1°	12A-2°	13A	F	14A	F	15A	F	16A	F	17A-19A-22A*	F	25A-29A-34A*
		12S-011	12S-012	12S-013		12S-014		12S-015		12S-016		12S-CH792		12S-CH5934

\* monoblock piece

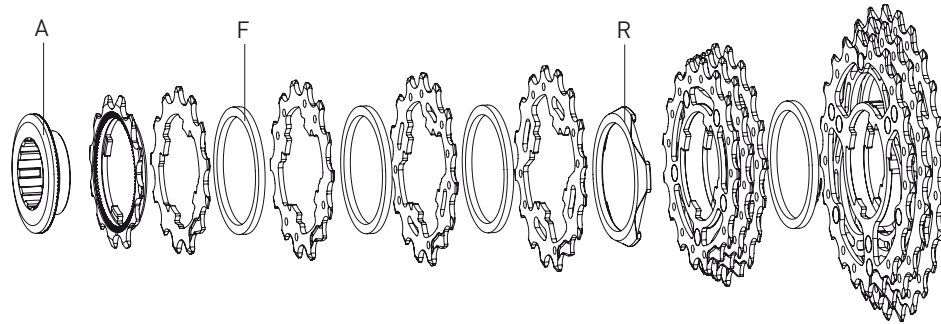
A	CS-112	<b>11s only</b>
	CS-111	<b>11s only</b> (for Z 11)
F	CS-022 (6 pcs)	2,2 mm
R	2-CS-712 (2 pcs)	2,3 mm



11-23	A	11A-1°	12A-2°	13A	F	14A	F	15A	R	16A-17A-18A*	F	19A-21A-23A*
		11S-011	11S-022	11S-131		11S-141		11S-151		11S-678T		11S-913T
11-25	A	11A-1°	12A-2°	13A	F	14A	F	15A	R	16A-17A-19B*	F	21B-23B-25B*
		11S-011	11S-022	11S-131		11S-141		11S-151		11S-679T		11S-135BT
11-27	A	11D-1°	12DD-2°	13D	F	14D	F	15D	R	17A-19B-21B*	F	23B-25B-27B*
		11S-111	11S-124	11S-134		11S-144		11S-154		11S-791T		11S-357T
11-29	A	11D-1°	12DD-2°	13D	F	14D	F	15D	R	17A-19B-21B*	F	23B-26C-29C*
		11S-111	11S-124	11S-134		11S-144		11S-154		11S-791T		11S-369T

\* pre-assembled

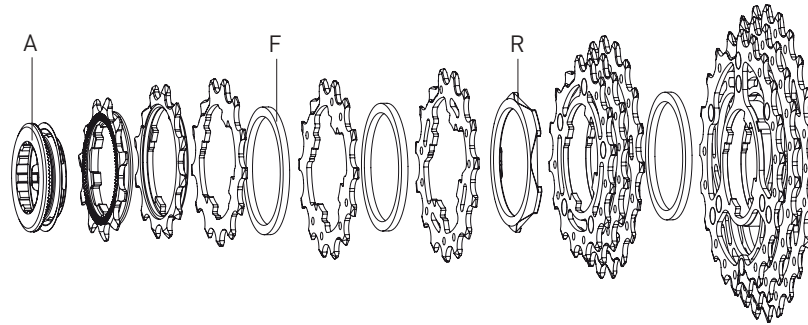
A	CS-112	<b>11s only</b>
	CS-111	<b>11s only</b> (for Z 11)
F	CS-022 (6 pcs)	2,2 mm
R	2-CS-712 (2 pcs)	2,3 mm



12-25	A	12A-1°	13A	F	14A	F	15A	F	16A	R	17A-18A-19A*	F	21A-23A-25A*
		11S-012	11S-131		11S-141		11S-151		11S-161		11S-789T		11S-135AT
12-27	A	12A-1°	13A	F	14A	F	15A	F	16A	R	17A-19B-21B*	F	23B-25B-27B*
		11S-012	11S-131		11S-141		11S-151		11S-161		11S-791T		11S-357T
12-29	A	12A-1°	13A	F	14A	F	15A	F	16A	R	17A-19B-21B*	F	23B-26C-29C*
		11S-012	11S-131		11S-141		11S-151		11S-161		11S-791T		11S-369T

\* pre-assembled

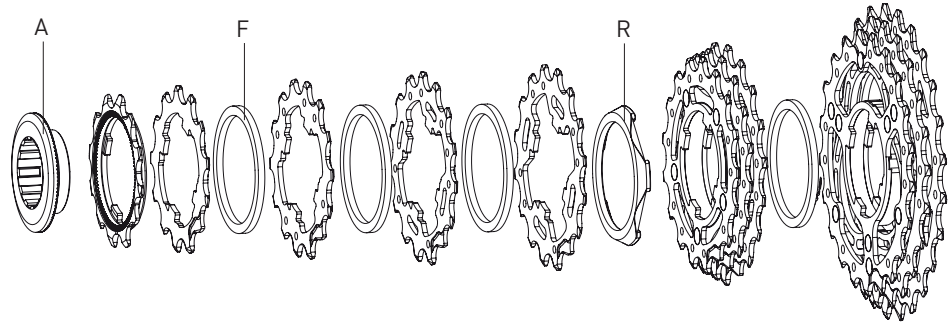
A	CS-112	<b>11s only</b>
	CS-111	<b>11s only</b> (for Z 11)
F	CS-022 (6 pcs)	2,2 mm
R	2-CS-712 (2 pcs)	2,3 mm



11-23	A	11A-1°	12A-2°	13A	F	14A	F	15A	R	16A-17A-18A*	F	19A-21A-23A*
		11S-011	11S-022	11S-131		11S-141		11S-151		11S-678		11S-913T
11-25	A	11A-1°	12A-2°	13A	F	14A	F	15A	R	16A-17A-19B*	F	21B-23B-25B*
		11S-011	11S-022	11S-131		11S-141		11S-151		11S-679		11S-135BT
11-27	A	11D-1°	12DD-2°	13D	F	14D	F	15D	R	17A-19B-21B	F	23B-25B-27B*
		11S-111	11S-124	11S-134		11S-144		11S-154		11S-791		11S-357T
11-29	A	11D-1°	12DD-2°	13D	F	14D	F	15D	R	17A-19B-21B	F	23B-26C-29C*
		11S-111	11S-124	11S-134		11S-144		11S-154		11S-791		11S-369T

\* pre-assembled

A	CS-112	<b>11s only</b>
	CS-111	<b>11s only</b> (for Z 11)
F	CS-022 (6 pcs)	2,2 mm
R	2-CS-712 (2 pcs)	2,3 mm

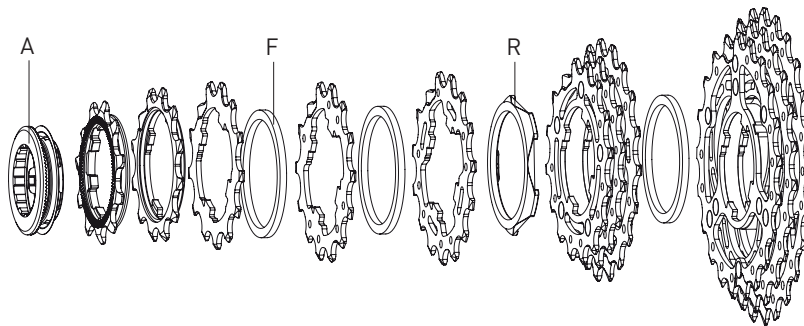


12-25	A	12A-1°	13A	F	14A	F	15A	F	16A	R	17A-18A-19A*	F	21A-23A-25A*
		11S-012	11S-131		11S-141		11S-151		11S-161		11S-789		11S-135AT
12-27	A	12A-1°	13A	F	14A	F	15A	F	16A	R	17A-19B-21B*	F	23B-25B-27B*
		11S-012	11S-131		11S-141		11S-151		11S-161		11S-791		11S-357T
12-29	A	12A-1°	13A	F	14A	F	15A	F	16A	R	17A-19B-21B*	F	23B-26C-29C*
		11S-012	11S-131		11S-141		11S-151		11S-161		11S-791		11S-369T

\* pre-assembled



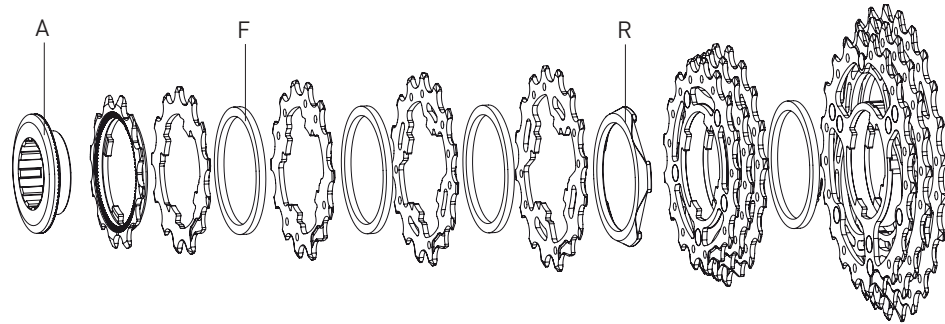
A	CS-112	<b>11s only</b>
	CS-111	<b>11s only</b> (for Z 11)
F	CS-022 (6 pcs)	2,2 mm
R	2-CS-712 (2 pcs)	2,3 mm



11-23	A	11A-1°	12A-2°	13A	F	14A	F	15A	R	16A-17A-18A*	F	19A-21A-23A*
		11S-011	11S-022	11S-131		11S-141		11S-151		11S-678		11S-913
11-25	A	11A-1°	12A-2°	13A	F	14A	F	15A	R	16A-17A-19B*	F	21B-23B-25B*
		11S-011	11S-022	11S-131		11S-141		11S-151		11S-679		11S-135B
11-27	A	11D-1°	12DD-2°	13D	F	14D	F	15D	R	17A-19B-21B	F	23B-25B-27B
		11S-111	11S-124	11S-134		11S-144		11S-154		11S-791		11S-357
11-29	A	11D-1°	12DD-2°	13D	F	14D	F	15D	R	17A-19B-21B	F	23B-26C-29C*
		11S-111	11S-124	11S-134		11S-144		11S-154		11S-791		11S-369

\* pre-assembled

A	CS-112	<b>11s only</b>
	CS-111	<b>11s only</b> (for Z 11)
F	CS-022 (6 pcs)	2,2 mm
R	2-CS-712 (2 pcs)	2,3 mm

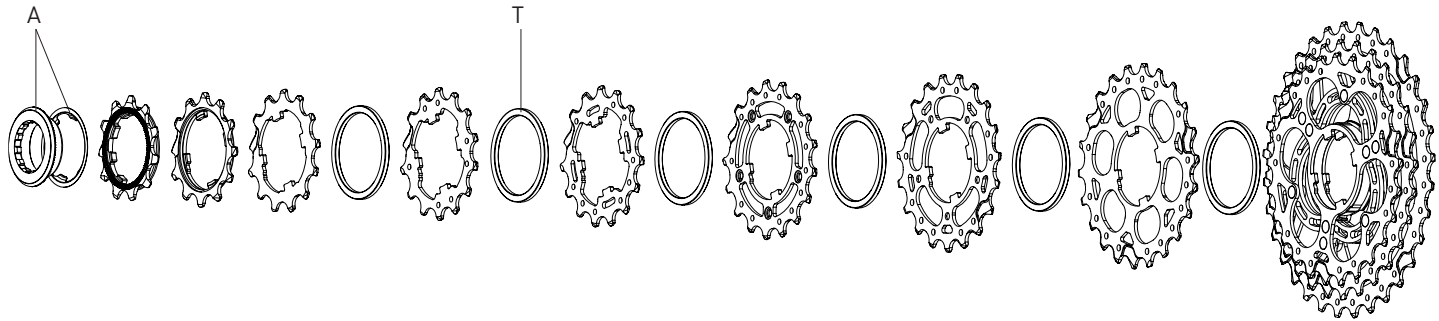


12-25	A	12A-1°	13A	F	14A	F	15A	F	16A	R	17A-18A-19A*	F	21A-23A-25A*
		11S-012	11S-131		11S-141		11S-151		11S-161		11S-789		11S-135A
12-27	A	12A-1°	13A	F	14A	F	15A	F	16A	R	17A-19B-21B*	F	23B-25B-27B*
		11S-012	11S-131		11S-141		11S-151		11S-161		11S-791		11S-357
12-29	A	12A-1°	13A	F	14A	F	15A	F	16A	R	17A-19B-21B*	F	23B-26C-29C*
		11S-012	11S-131		11S-141		11S-151		11S-161		11S-791		11S-369

\* pre-assembled

A	CS-411	<b>11s only</b> (for Z 11)	steel/acciaio
---	--------	-------------------------------	---------------

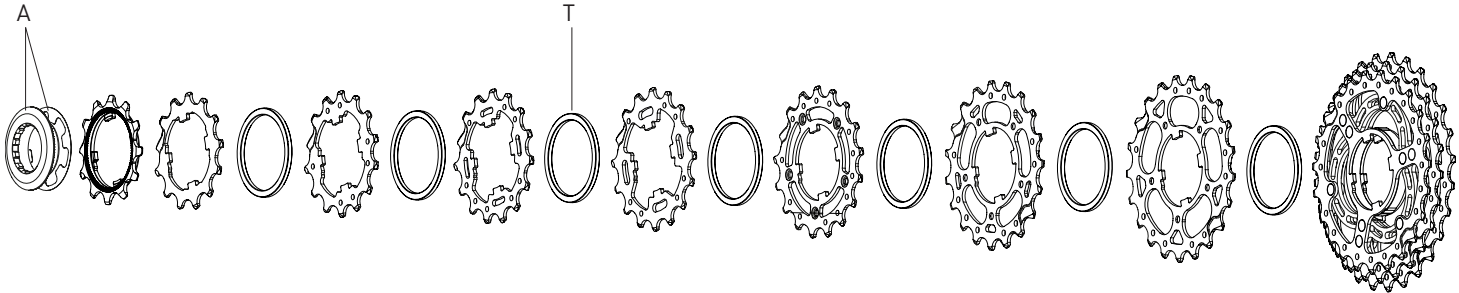
T	CS-022 (6 pcs)	2,2 mm
---	-------------------	--------



11-25	A	11A-1	12A-2	13A	T	14A	T	15A	T	16ASF	T	17ASF	T	19BSP	T	21B-23B-25B*
		11S-011	11S-022	11S-131		11S-141		11S-151		11S-16ASF		11S-17ASF		10S-192		11S-135B
11-27	A	11D-1	12DD-2	13D	T	14D	T	15D	T	17ASF	T	19BSP	T	21BSP	T	23B-25B-27B*
		11S-111	11S-124	11S-134		11S-144		11S-154		11S-17ASF		10S-192		10S-212		11S-357
11-29	A	11D-1	12DD-2	13D	T	14D	T	15D	T	17ASF	T	19BSP	T	21BSP	T	23B-26C-29C*
		11S-111	11S-124	11S-134		11S-144		11S-154		11S-17ASF		10S-192		10S-212		11S-369
11-32	A	11D-1	12DD-2	13D	T	14D	T	15D	T	17ASF	T	19BSP	T	22E	T	25E-28E-32E*
		11S-111	11S-124	11S-134		11S-144		11S-154		11S-17ASF		10S-192		11S-22E		11S-582

\* pre-assembled

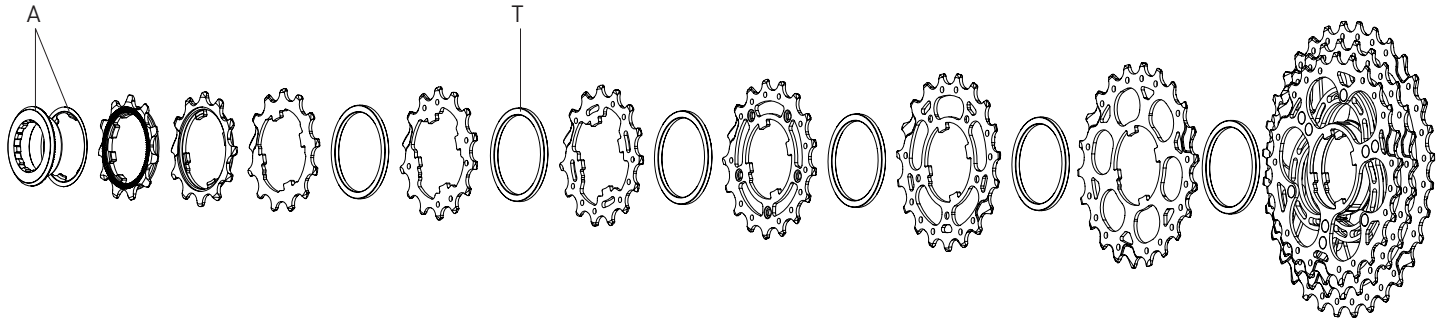
A	CS-412	<b>11s only</b> (for Z 12)	steel/acciaio
T	CS-022 (6 pcs)	2,2 mm	



12-27	A	12A-1	13A	T	14A	T	15A	T	16A	T	17ASF	T	19BSP	T	21BSP	T	23B-25B-27B*
		11S-012	11S-131		11S-141		11S-151		11S-161		11S-17ASF		10S-192		10S-212		11S-357

\* pre-assembled

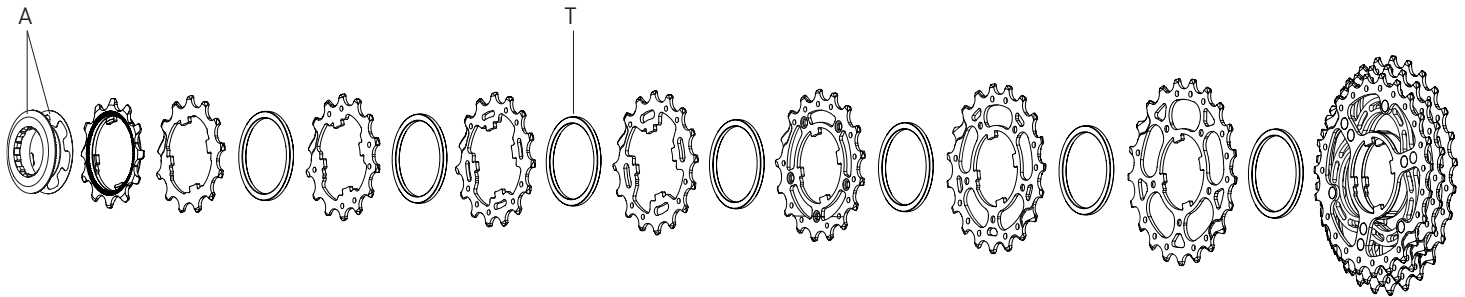
A	CS-411	<b>11s only</b> (for Z 11)	steel/acciaio
T	CS-022 (6 pcs)	2,2 mm	



11-29	A	11D-1	12DD-2	13D	T	14D	T	15D	T	17ASF1	T	19BSP1	T	21BSP1	T	Not available
		11S-111	11S-124	11S-1341		11S-1441		11S-1541		11S-17ASF1		11S-19BSP1		11S-21BSP1		
11-32	A	11D-1	12DD-2	13D	T	14D	T	15D	T	17ASF1	T	19BSP1	T	22E	T	Not available
		11S-111	11S-124	11S-1341		11S-1441		11S-1541		11S-17ASF1		11S-19BSP1		11S-225		

\* pre-assembled

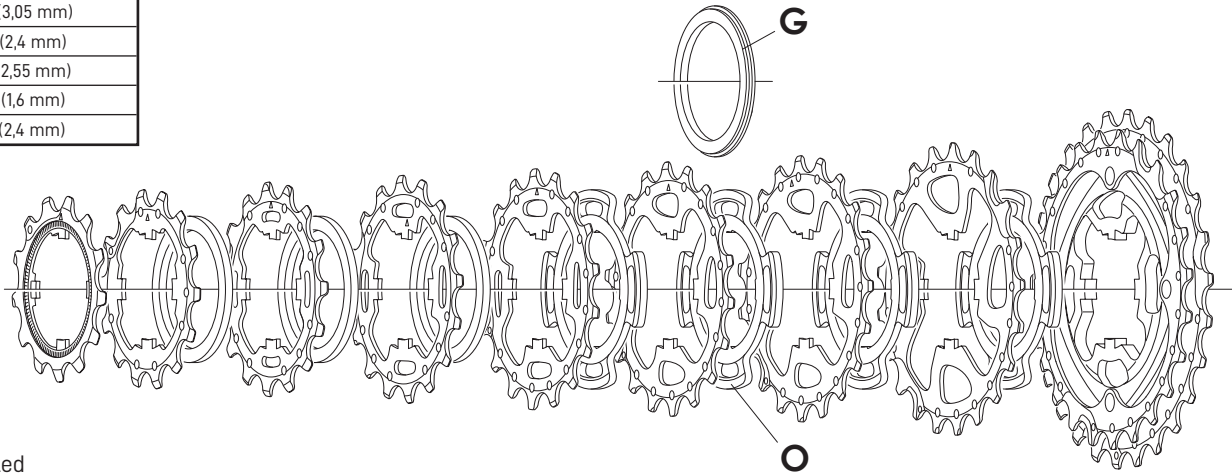
A	CS-412	<b>11s only</b> (for Z 12)	steel/acciaio
T	CS-022 (6 pcs)	2,2 mm	



12-32	A	12A-1	13A	T	14A	T	15A	T	16A	T	17ASF1	T	19BSP1	T	22E	T	Not available
		11S-012	11S-1311		11S-1411		11S-1511		11S-1611		11S-17ASF1		11S-19BSP1		11S-225		

\* pre-assembled

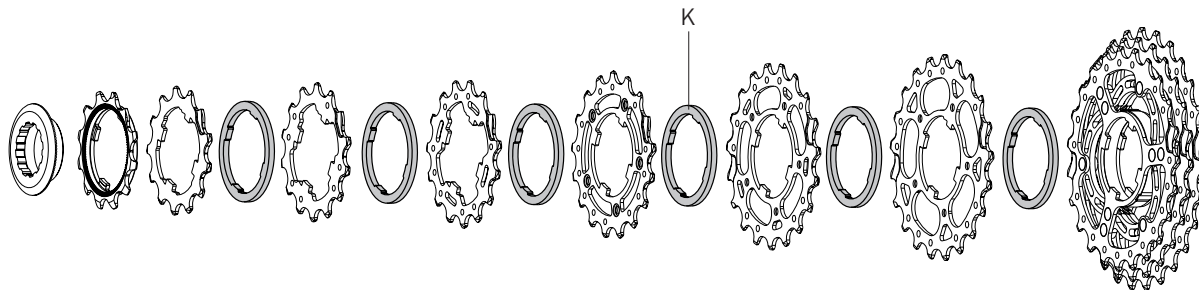
DISTANZIALI / SPACERS
G = CS-602 (2,55 mm)
M = CS-606 (3,05 mm)
N = CS-607 (2,4 mm)
O = CS-609 (2,55 mm)
P = CS-608 (1,6 mm)
Q = CS-610 (2,4 mm)



\* pre-assembled

11 - 23	11A-1° 10S-011	12A-2° 10S-022	13A 10S-131	Q	14A 10S-141	Q	15A 10S-151	Q	16A 10S-161	G	17A 10S-171	N	19A 10S-191	M	21A-23A* 10S-13A			
11 - 25	11A-1° 10S-011	12A-2° 10S-022	13A 10S-131	Q	14A 10S-141	Q	15A 10S-151	Q	17G 10S-177	O	19G 10S-197	N	21G 10S-217	M	23G-25G* 10S-35G			
12 - 25	12A-1° 10S-032	13A 10S-131	Q	14A 10S-141	Q	15A 10S-151	Q	16A 10S-161	Q	17A 10S-171	O	19A 10S-191	N	21A 10S-211	M	23A-25A* 10S-35A		
13 - 26	13A-1° 10S-023	14A 10S-141	Q	15A 10S-151	Q	16A 10S-161	Q	17A 10S-171	N	18C 10S-183	O	19C 10S-193	N	21C 10S-213	M	23C-26C* 10S-36C		
13 - 29	13A-1° 10S-023	14A 10S-141	Q	15A 10S-151	Q	16A 10S-161	Q	17A 10S-171	N	19A 10S-191	O	21A 10S-211	N	23A 10S-231	M	26A-29A* 10S-69A		
14 - 23	14A-1° 10S-014	15A 10S-151	Q	16A 10S-161	Q	17A 10S-171	Q	18C 10S-183	N	19C 10S-193	O	20D 10S-204	N	21D 10S-214	N	22D 10S-224	P	23D 10S-234

K	2-CS-812 (2 pcs)	2,55 mm
---	---------------------	---------





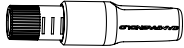


12 - 27	12D-1° 10S-042	13D 10S-134	K	14D 10S-144	K	15D 10S-154	K	17A 10S-17127	K	19B 10S-192	K	21B 10S-212	K	23B-25B-27B* 10S-357
12 - 30	12D-1° 10S-042	13D 10S-134	K	14D 10S-144	K	15D 10S-154	K	17A 10S-17127	K	19B 10S-192	K	21B 10S-212	K	24B-27B-30B* 10S-470

\* pre-assembled









<p>12s DERAILLEURS COMPLETE SET (front and rear derailleur cable and Max Smooth. Housing)</p>	<p>BLACK</p>	<p>CG-FRD700</p>
<p>13s DERAILLEURS COMPLETE SET (rear derailleur cable and 2,2 m Max Smooth. Housing)</p>	<p>BLACK</p>	<p>CG-RD703</p>

DERAILLEURS	12s / 13 s	 <p>THE MAXIMUM SMOOTHNESS</p>	<p>CG-RD702 L. 2200 mm Max Smooth. derailleur housing 2,2m + 1 ferrule</p>
			<p>Ø 5,7 mm 10-CG-CS200 (sealed / con guarnizione - 10 pcs.)</p>
		 <p>Ø 1,2 mm</p>	<p>10-CG-RD700 L. 2100 mm derailleur cable + L. 360 mm housing (10 pcs.)</p>
		 <p>THE MAXIMUM SMOOTHNESS</p>	<p>25-CG-RD701 L. 25 m The Maximum Smoothness housing</p>
			<p>CG-CB101 (cable tension adjuster / regolatore tensione cavo - 5 pcs.)</p>


10s / 11s BRAKE AND DERAILLEURS COMPLETE SET

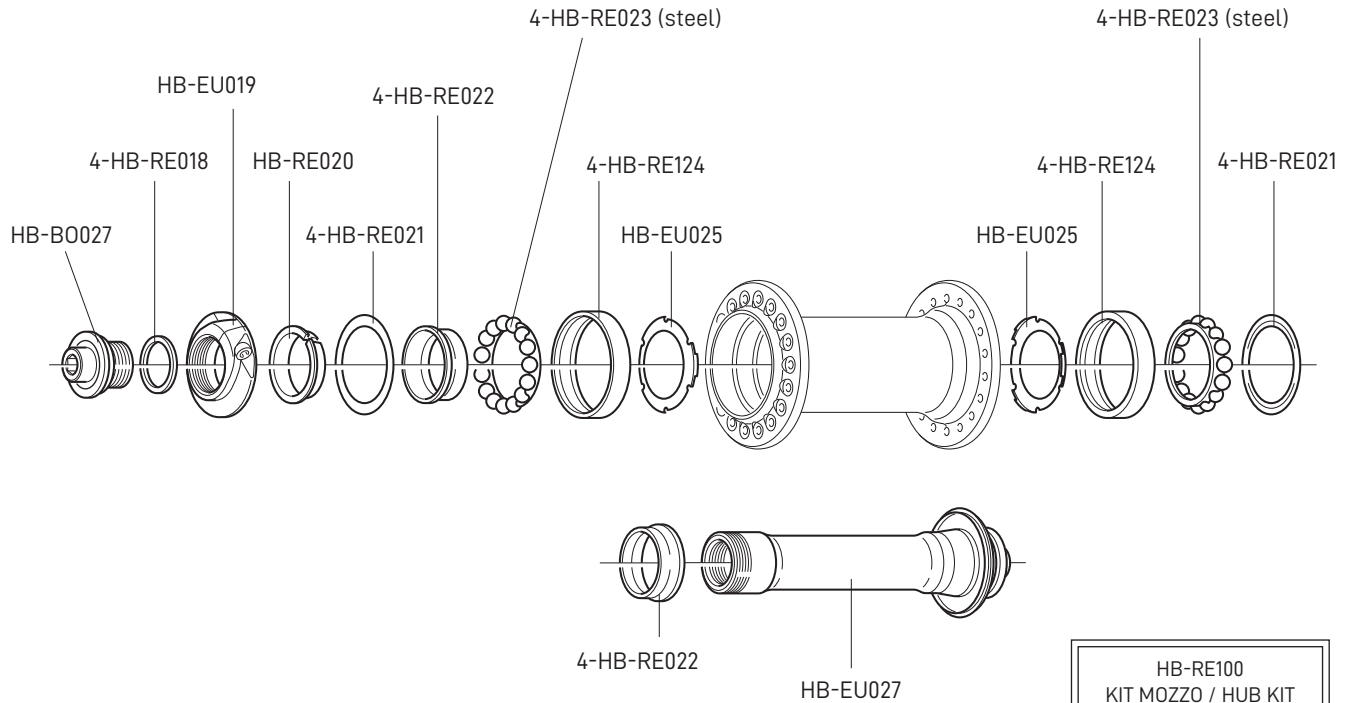
BLACK

CG-ER600

DERAILLEURS	<b>10s / 11s</b>		L. 1600 CG-CB014
		Ø 1,2 mm	L. 2000 10-CG-CB009 (10 pcs.)
			Ø 5,7 mm 10-CG-CS112 (sealed / con guarnizione - 10 pcs.)
			Ø 5,7/4 mm 5-CG-CS113 (sealed / con guarnizione - 5 pcs. + bellows - 1 pc)
		 	Ø 5,7 mm CG-CS212 (sealed / con guarnizione - 25 pcs.)
			CG-CB101 (cable tension adjuster / regolatore tensione cavo - 5 pcs.)
			CG-CS025RD (25 m housing)
	CG-CS300RD (300 m housing)		


# 10S/11S/12S CABLES AND HOUSINGS (BRAKES)

10s / 11s BRAKE AND DERAILLEURS COMPLETE SET		BLACK	CG-ER600
COMPLETE SET FOR BRAKES (Front and rear cables and housings)		BLACK	CG-BL500
BRAKES 10s / 11s / 12s		FRONT	REAR
		Ø 1,6 mm L. 800 mm CG-CB003	Ø 1,6 mm L. 1600 mm 10-CG-CB013 (10 pcs.) 25-CG-CB013 (25 pcs.)
		CG-CS025BR (25 m housing)	
		10-CG-CS011 (capoguaina freno 10 pz/ferrule for brake cable housing 10 pcs)	



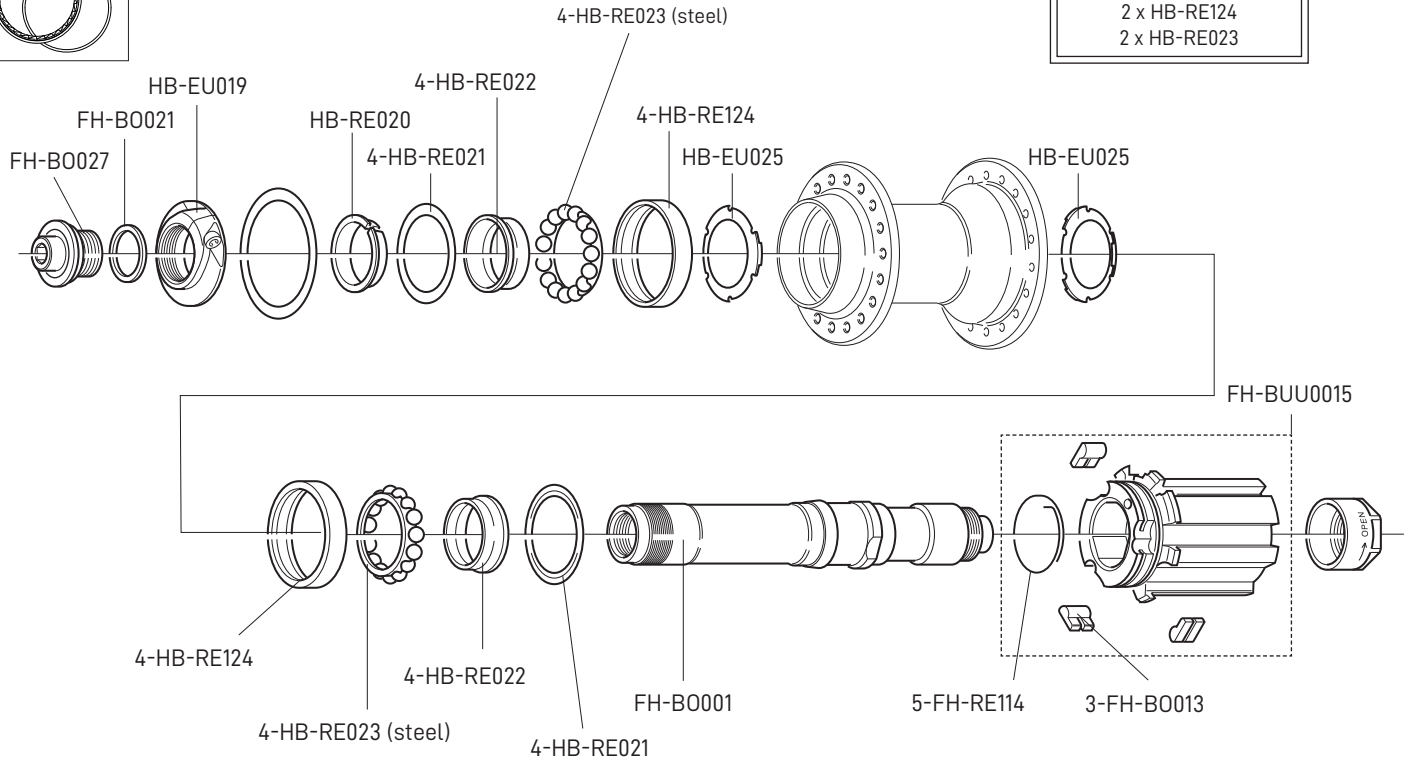
<p>HB-RE100 KIT MOZZO / HUB KIT</p> <p>2 x HB-RE021 2 x HB-RE022 2 x HB-RE124 2 x HB-RE023</p>
--

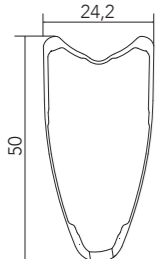

HB-B0031 (3 pcs)  
RATCHET RING /  
INSERTO A CREMAGLIERA  
(SERVICE CENTER only)



HB-RE100  
KIT MOZZO / HUB KIT

- 2 x HB-RE021
- 2 x HB-RE022
- 2 x HB-RE124
- 2 x HB-RE023



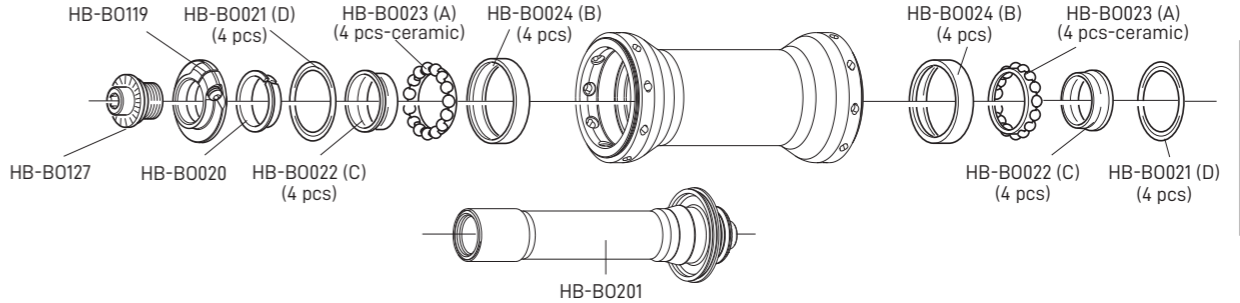
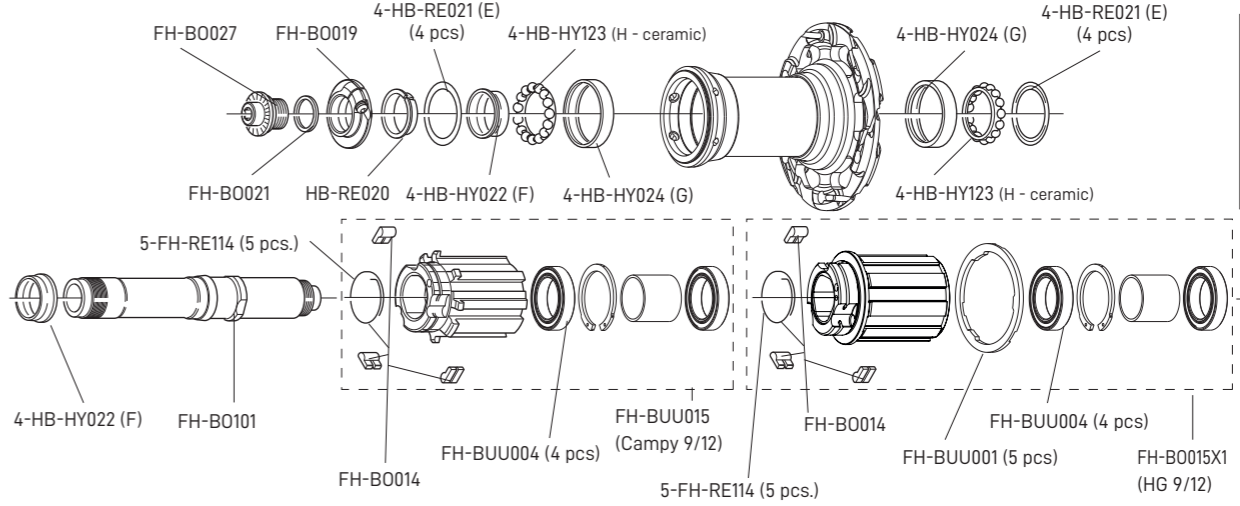
RIM		
	FRONT RIM	WH-101B050 (bright) / WH-101B050DK (dark)
	REAR RIM	WH-102B050 (bright) / WH-102B050DK (dark)
	VALVE HOLE	6,5 mm
	VALVE HOLE BUSHING	WH-BUU002 (5 pcs.) 
	VALVE EXTENSION	UT-HU150
	DIAMETER	634 mm
	BRAKE PADS	for carbon rims - BR-B0500 (for brakes with retention spring or interference fixing) - BR-B0500X1 (for brakes with screw fixing)

SPOKES		
FRONT / REAR LH SPOKE	WH-016BOT50	4 spokes + 4 nipples
REAR RH SPOKE	WH-019BOT50	4 spokes + 4 nipples
NIPPLES	WH-07BWT045DB	black - 10 pieces
NIPPLE INSERT	UT-WH160	magnet-attractor for nipple
NIPPLE MAGNET	UT-WH050	nipple-guide
SPOKE SPANNER	UT-WH090	spoke wrenches

ACCESSORIES		
Spacer for HG11 FW body	FH-BUU001	5 pcs - to be used only with 9/10s sprockets (HG11 FW body package contains the spacer)

**! WARNING!**

Because of the high temperatures reached when braking, we recommend you use only glue for tubular tires specifically for carbon fibre rims.  
A causa delle alte temperature raggiunte in frenata, vi consigliamo di utilizzare solamente colla per tubolari che sia specifica per i soli cerchi in fibra di carbonio.

HUBS		
	<p><b>HB-B0100 CULT™ KIT front</b> 2 x A, 2 x B, 2 x C, 2 x D</p>	
	<p><b>HB-HY100 CULT™ KIT</b> 2 x E, 2 x F, 2 x G, 2 x H</p>	
QUICK-RELEASES	QR12-BUUBFR	front + rear

RIM		
	FRONT RIM	WH-201B035 (bright) - WH-201B035DK (dark)
	REAR RIM	WH-202B035 (bright) - WH-202B035DK (dark)
	VALVE HOLE	6,5 mm
	VALVE HOLE BUSHING	WH-BUU002 (5 pcs.)
	DIAMETER	634 mm
	BRAKE PADS	for carbon rims - BR-B0500 (for brakes with retention spring or interference fixing) - BR-B0500X1 (for brakes with screw fixing)

SPOKES		
FRONT / REAR LH SPOKE	WH-020BOC35	4 spokes + 4 nipples
REAR RH SPOKE	WH-021BOC35	4 spokes + 4 nipples
NIPPLES	WH-07BWT045DB	black - 10 pieces
NIPPLE INSERT	UT-WH160	magnet-attractor for nipple
NIPPLE MAGNET	UT-WH050	nipple-guide
SPOKE SPANNER	UT-WH090	spoke wrenches

ACCESSORIES		
Spacer for HG11 FW body	FH-BUU001	5 pcs - to be used only with 9/10s sprockets (HG11 FW body package contains the spacer)

**WARNING!**

Because of the high temperatures reached when braking, we recommend you use only glue for tubular tires specifically for carbon fibre rims.  
A causa delle alte temperature raggiunte in frenata, vi consigliamo di utilizzare solamente colla per tubolari che sia specifica per i soli cerchi in fibra di carbonio.

HUBS		
	<p><b>HB-B0100 CULT™ KIT front</b> 2 x A, 2 x B, 2 x C, 2 x D</p>	
	<p><b>HB-HY100 CULT™ KIT</b> 2 x E, 2 x F, 2 x G, 2 x H</p>	
QUICK-RELEASES	QR12-BUUBFR	front + rear

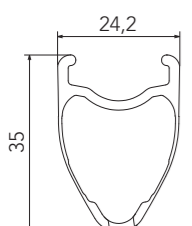

RIM		
	FRONT RIM	WH-103B050 (bright) / WH-103B050DK (dark)
	REAR RIM	WH-104B050 (bright) / WH-104B050DK (dark)
	VALVE HOLE	6,5 mm
	VALVE HOLE BUSHING	WH-BUU002 (5 pcs.)
	VALVE EXTENSION	UT-HU150
	DIAMETER	700C (622 x 17C)
	BRAKE PADS	for carbon rims - BR-B0500 (for brakes with retention spring or interference fixing) - BR-B0500X1 (for brakes with screw fixing)

SPOKES		
FRONT / REAR LH SPOKE	WH-016BOT50	4 spokes + 4 nipples
REAR RH SPOKE	WH-019BOT50	4 spokes + 4 nipples
NIPPLES	WH-07BWT045DB	black - 10 pieces
NIPPLE INSERT	UT-WH160	magnet-attractor for nipple
NIPPLE MAGNET	UT-WH050	nipple-guide
SPOKE SPANNER	UT-WH090	spoke wrenches

ACCESSORIES		
Spacer for HG11 FW body	FH-BUU001	5 pcs - to be used only with 9/10s sprockets (HG11 FW body package contains the spacer)

HUBS		
	<b>HB-B0100 CULT™ KIT front</b> 2 x A, 2 x B, 2 x C, 2 x D	
	<b>HB-HY100 CULT™ KIT</b> 2 x E, 2 x F, 2 x G, 2 x H	
	QUICK-RELEASES QR12-BUUBFR front + rear	



RIM		
	FRONT RIM	WH-103B035 (bright) - WH-103B035DK (dark)
	REAR RIM	WH-104B035 (bright) - WH-104B035DK (dark)
	VALVE HOLE	6,5 mm
	VALVE HOLE BUSHING	WH-BUU002 (5 pcs.) 
	DIAMETER	700C (622 x 17C)
	BRAKE PADS	for carbon rims - BR-B0500 (for brakes with retention spring or interference fixing) - BR-B0500X1 (for brakes with screw fixing)

SPOKES		
FRONT / REAR LH SPOKE	WH-020BOC35	4 spokes + 4 nipples
REAR RH SPOKE	WH-021BOC35	4 spokes + 4 nipples
NIPPLES	WH-07BWT045DB	black - 10 pieces
NIPPLE INSERT	UT-WH160	magnet-attractor for nipple
NIPPLE MAGNET	UT-WH050	nipple-guide
SPOKE SPANNER	UT-WH090	spoke wrenches

ACCESSORIES		
Spacer for HG11 FW body	FH-BUU001	5 pcs - to be used only with 9/10s sprockets (HG11 FW body package contains the spacer)

### HUBS

**HB-B0100 CULT™ KIT front**  
2 x A, 2 x B, 2 x C, 2 x D

**HB-HY100 CULT™ KIT**  
2 x E, 2 x F, 2 x G, 2 x H

QUICK-RELEASES	QR12-BUUBFR	front + rear
----------------	-------------	--------------

RIM		
	FRONT RIM	WH-B50TF21 (no labels)
	REAR RIM	WH-B50TR21 (no labels)
	LABEL KIT (bright)	LAB-B05021BR (front + rear)
	LABEL KIT (dark)	LAB-B05021DK (front + rear)
	VALVE HOLE	6,5 mm
	VALVE EXTENSION	UT-HU150
	VALVE HOLE BUSHING	WH-BUU002
	DIAMETER	634 mm
BRAKE PADS	for carbon rims - BR-B0500 (for brakes with retention spring or interference fixing) - BR-B0500X1 (for brakes with screw fixing)	

SPOKES		
FRONT / REAR LH SPOKE	WH-016BOT50	4 spokes + 4 nipples
REAR RH SPOKE	WH-019BOT50	4 spokes + 4 nipples
NIPPLES	WH-07BWT045DB	black - 10 pieces
NIPPLE INSERT	UT-WH160	magnet-attractor for nipple
NIPPLE MAGNET	UT-WH050	nipple-guide
SPOKE SPANNER	UT-WH090	spoke wrenches

ACCESSORIES		
Spacer for HG11 FW body	FH-BUU001	5 pcs - to be used only with 9/10s sprockets (HG11 FW body package contains the spacer)

**! WARNING!**

Because of the high temperatures reached when braking, we recommend you use only glue for tubular tires specifically for carbon fibre rims.  
A causa delle alte temperature raggiunte in frenata, vi consigliamo di utilizzare solamente colla per tubolari che sia specifica per i soli cerchi in fibra di carbonio.

HUBS		
	HB-B0119	HB-B0021 (D) (4 pcs)
	HB-B0023 (A) (4 pcs-ceramic)	HB-B0124 (B) (4 pcs)
	4-HB-RE021 (E) (4 pcs)	4-HB-HY123 (H - ceramic)
	4-HB-RE124 (G) (4 pcs)	4-HB-RE021 (E) (4 pcs)
HB-SH200 USB™ KIT front 2 x A, 2 x B, 2 x C, 2 x D		
HB-SH100 USB™ KIT 2 x E, 2 x F, 2 x G, 2 x H		
QUICK-RELEASES	QR12-BUUBFR	front + rear

RIM		
	FRONT RIM	WH-B35TF21 (no labels)
	REAR RIM	WH-B35TR21 (no labels)
	LABEL KIT (bright)	LAB-BO3521BR (front + rear)
	LABEL KIT (dark)	LAB-BO3521DK (front + rear)
	VALVE HOLE	6,5 mm
	VALVE HOLE BUSHING	WH-BUU002
	DIAMETER	634 mm
BRAKE PADS	for carbon rims - BR-BO500 (for brakes with retention spring or interference fixing) - BR-BO500X1 (for brakes with screw fixing)	

SPOKES		
FRONT / REAR LH SPOKE	WH-020BOC35	4 spokes + 4 nipples
REAR RH SPOKE	WH-021BOC35	4 spokes + 4 nipples
NIPPLES	WH-07BWT045DB	black - 10 pieces
NIPPLE INSERT	UT-WH160	magnet-attractor for nipple
NIPPLE MAGNET	UT-WH050	nipple-guide
SPOKE SPANNER	UT-WH090	spoke wrenches

ACCESSORIES		
Spacer for HG11 FW body	FH-BUU001	5 pcs - to be used only with 9/10s sprockets (HG11 FW body package contains the spacer)

**WARNING!**

Because of the high temperatures reached when braking, we recommend you use only glue for tubular tires specifically for carbon fibre rims.  
A causa delle alte temperature raggiunte in frenata, vi consigliamo di utilizzare solamente colla per tubolari che sia specifica per i soli cerchi in fibra di carbonio.

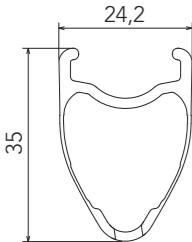

HUBS		
	<p><b>HB-SH200 USB™ KIT front</b> 2 x A, 2 x B, 2 x C, 2 x D</p>	
	<p><b>HB-SH100 USB™ KIT</b> 2 x E, 2 x F, 2 x G, 2 x H</p>	
	<p><b>QUICK-RELEASES</b> QR12-BUUBFR front + rear</p>	

RIM		
	FRONT RIM	WH-B50CF21 (no labels)
	REAR RIM	WH-B50CR21 (no labels)
	LABEL KIT (bright)	LAB-B05021BR (front + rear)
	LABEL KIT (dark)	LAB-B05021DK (front + rear)
	VALVE HOLE	6,5 mm
	VALVE EXTENSION	UT-HU150
	VALVE HOLE BUSHING	WH-BUU002
	DIAMETER	700C (622 x 17C)
BRAKE SHOES	for carbon rims - BR-B0500 (for brakes with retention spring or interference fixing) - BR-B0500X1 (for brakes with screw fixing)	

SPOKES		
FRONT / REAR LH SPOKE	WH-016BOT50	4 spokes + 4 nipples
REAR RH SPOKE	WH-019BOT50	4 spokes + 4 nipples
NIPPLES	WH-07BWT045DB	black - 10 pieces
NIPPLE INSERT	UT-WH160	magnet-attractor for nipple
NIPPLE MAGNET	UT-WH050	nipple-guide
SPOKE SPANNER	UT-WH090	spoke wrenches

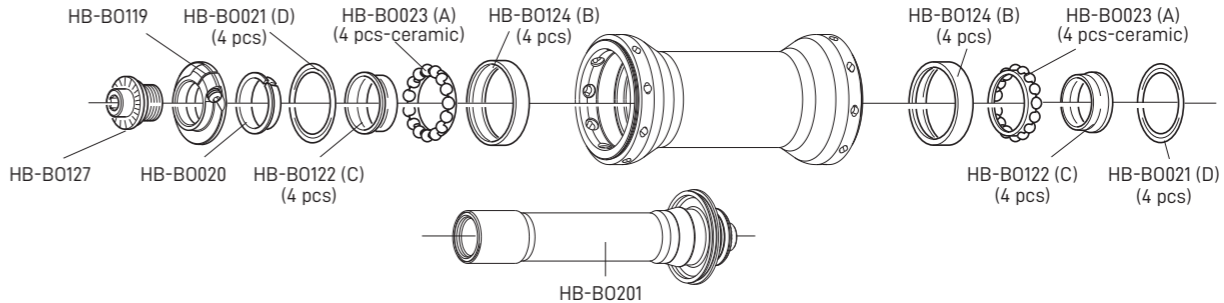
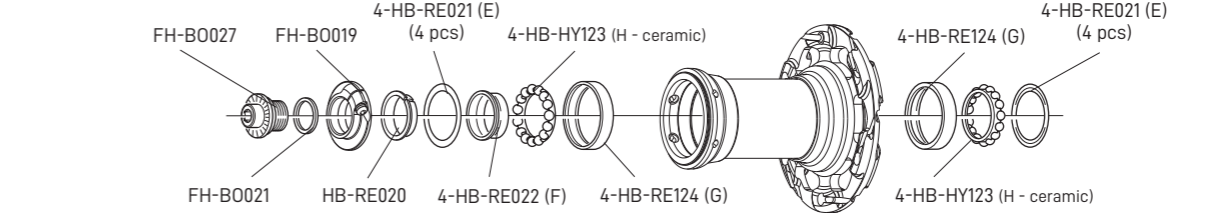
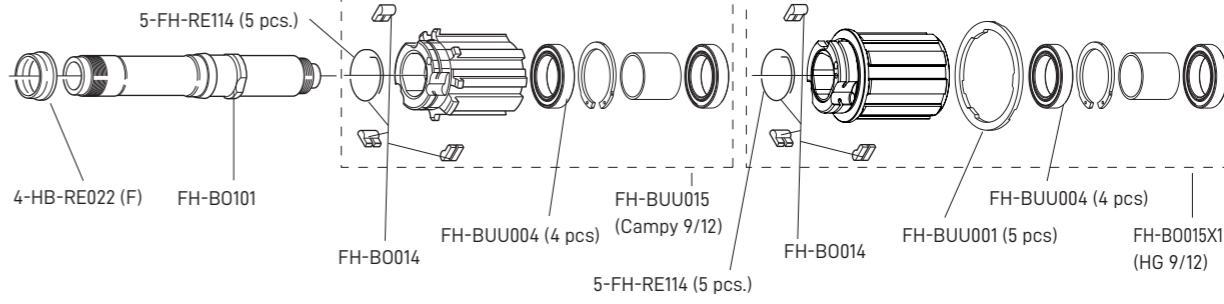
ACCESSORIES		
Spacer for HG11 FW body	FH-BUU001	5 pcs - to be used only with 9/10s sprockets (HG11 FW body package contains the spacer)

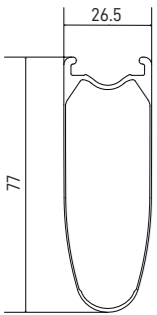

HUBS		
	<b>HB-SH200 USB™ KIT front</b> 2 x A, 2 x B, 2 x C, 2 x D	
	<b>HB-SH100 USB™ KIT</b> 2 x E, 2 x F, 2 x G, 2 x H	
QUICK-RELEASES	QR12-BUUBFR	front + rear

RIM		
	FRONT RIM	WH-B35CF21 (no labels)
	REAR RIM	WH-B35CR21 (no labels)
	LABEL KIT (bright)	LAB-B03521BR (front + rear)
	LABEL KIT (dark)	LAB-B03521DK (front + rear)
	VALVE HOLE	6,5 mm
	VALVE HOLE BUSHING	WH-BUU002 
	DIAMETER	700C (622 x 17C)
BRAKE SHOES	for carbon rims - BR-B0500 (for brakes with retention spring or interference fixing) - BR-B0500X1 (for brakes with screw fixing)	

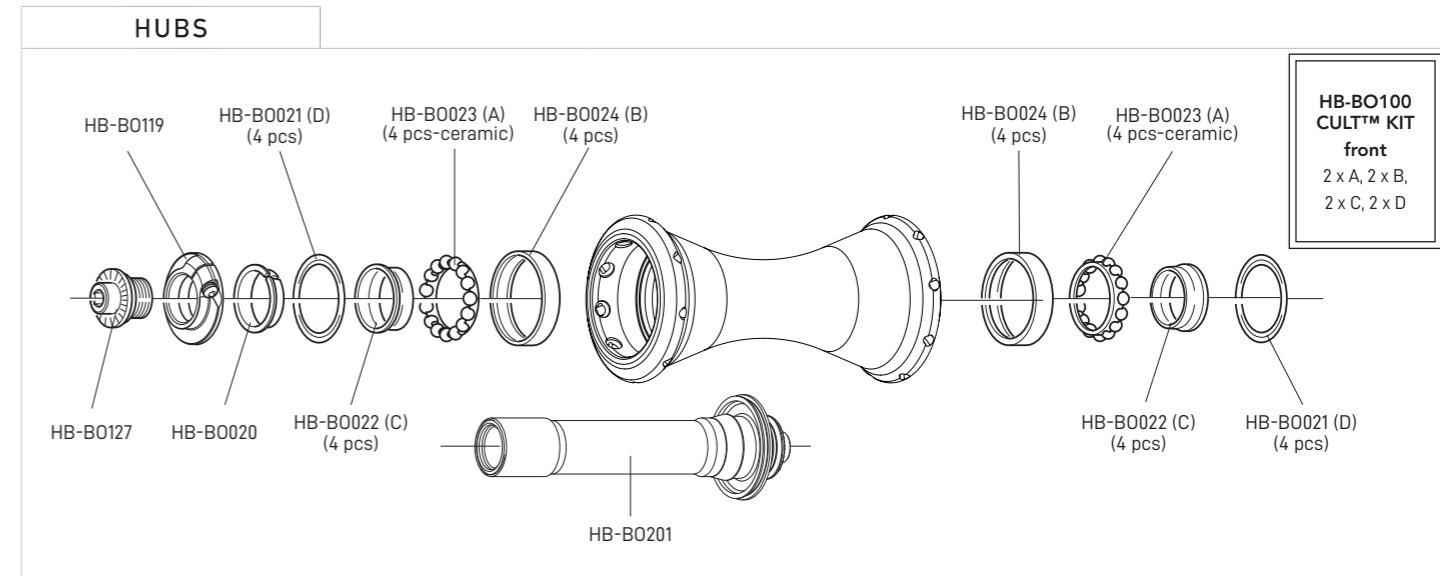
SPOKES		
FRONT / REAR LH SPOKE	WH-020BOC35	4 spokes + 4 nipples
REAR RH SPOKE	WH-021BOC35	4 spokes + 4 nipples
NIPPLES	WH-07BWT045DB	black - 10 pieces
NIPPLE INSERT	UT-WH160	magnet-attractor for nipple
NIPPLE MAGNET	UT-WH050	nipple-guide
SPOKE SPANNER	UT-WH090	spoke wrenches

ACCESSORIES		
Spacer for HG11 FW body	FH-BUU001	5 pcs - to be used only with 9/10s sprockets (HG11 FW body package contains the spacer)

HUBS		
	<div style="border: 1px solid black; padding: 5px; width: fit-content;"> <b>HB-SH200 USB™ KIT</b>                      front                      2 x A, 2 x B,                      2 x C, 2 x D                 </div>	
	<div style="border: 1px solid black; padding: 5px; width: fit-content;"> <b>HB-SH100 USB™ KIT</b>                      2 x E, 2 x F,                      2 x G, 2 x H                 </div>	
		
QUICK-RELEASES	QR12-BUUBFR	front + rear

RIM		
	VALVE HOLE	6,5 mm
	VALVE EXTENSION	UT-WH140M (male extension)
	2-WAY FIT™ VALVE	WH-SH101
	VALVE HOLE BUSHING	WH-BUU002 (5 pcs.) 
	DIAMETER	700C (622 x 19C)
BRAKE PADS	for carbon rims - BR-B0500 (for brakes with retention spring or interference fixing) - BR-B0500X1 (for brakes with screw fixing)	

SPOKES		
COMPLETE FRONT SPOKES	WH-01BWT077	4 spokes + 4 nipples
NIPPLES	WH-07BWT045DB	black - 10 pieces
NIPPLE INSERT	UT-WH160	magnet-attractor for nipple
NIPPLE MAGNET	UT-WH050	nipple-guide
SPOKE SPANNER	UT-WH090	spoke wrenches



QUICK-RELEASES

QR12-BUUBFR

front + rear

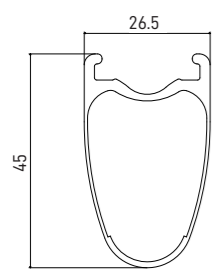

RIM		
	FRONT RIM	WH-03BWTO60 (bright) - WH-05BWTO60 (dark)
	REAR RIM	WH-04BWTO60 (bright) - WH-06BWTO60 (dark)
	VALVE EXTENSION	UT-WH140M (male extension)
	2-WAY FIT VALVE	VA-2WF44
	VALVE HOLE	6,5 mm
	VALVE HOLE BUSHING	WH-BUU002 (5 pcs.)
	DIAMETER	700C (622 x 19C)
BRAKE PADS	for carbon rims - BR-B0500 (for brakes with retention spring or interference fixing) - BR-B0500X1 (for brakes with screw fixing)	

SPOKES		
FRONT / REAR LH	WH-01BWTO60	4 spokes + 4 nipples
REAR RH	WH-02BWTO60	4 spokes + 4 nipples
NIPPLES	WH-015B080	black - 10 pieces
NIPPLE INSERT	UT-WH160	magnet-attractor for nipple
NIPPLE MAGNET	UT-WH050	nipple-guide
SPOKE SPANNER	UT-WH090	spoke wrenches

ACCESSORIES		
Spacer for HG11 FW body	FH-BUU001	5 pcs - to be used only with 9/10s sprockets (HG11 FW body package contains the spacer)

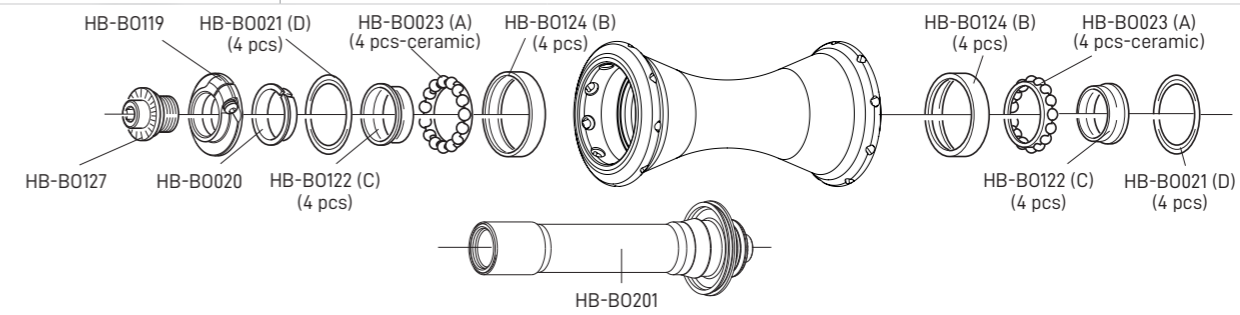
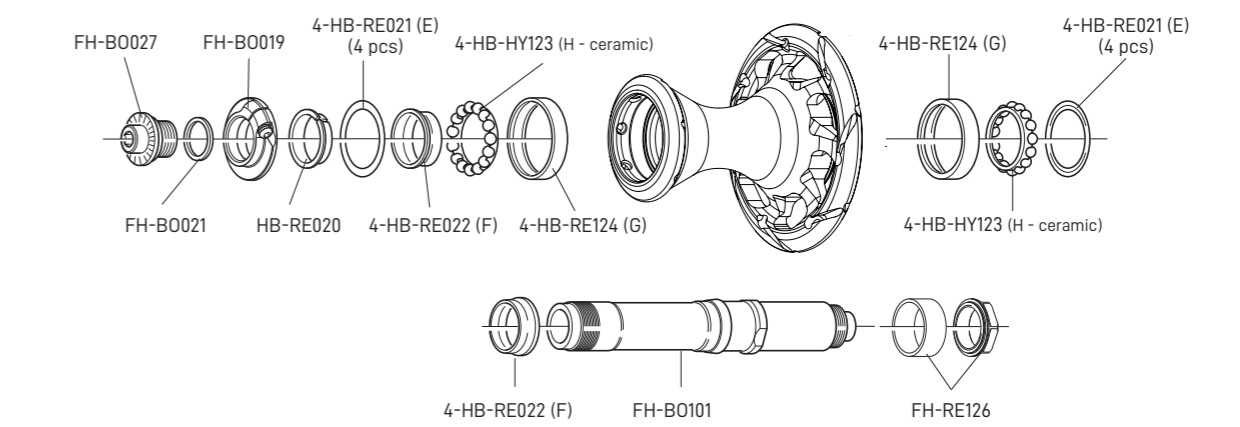
HUBS		
	<div style="border: 1px solid black; padding: 5px; width: fit-content;"> <p><b>HB-SH200 USB™ KIT front</b></p> <p>2 x A, 2 x B, 2 x C, 2 x D</p> </div>	
	<div style="border: 1px solid black; padding: 5px; width: fit-content;"> <p><b>HB-SH100 USB™ KIT</b></p> <p>2 x E, 2 x F, 2 x G, 2 x H</p> </div>	
QUICK-RELEASES	QR12-BUUBFR	front + rear
Complete FW body / Corpetti RL completi	FH-BUU015 (Campagnolo 9/12) - FH-B0015X1 (HG 9/12) - FH-BU020XDR (XDR V2)	
		See exploded view pag. 132



RIM		
	FRONT RIM	WH-03BWT045 (bright) - WH-05BWT045 (dark)
	REAR RIM	WH-04BWT045 (bright) - WH-06BWT045 (dark)
	VALVE EXTENSION	UT-WH130M (male extension)
	2-WAY FIT VALVE	WH-SH101
	VALVE HOLE	6,5 mm
	VALVE HOLE BUSHING	WH-BUU002 (5 pcs.) 
	DIAMETER	700C (622 x 19C)
BRAKE PADS	for carbon rims - BR-B0500 (for brakes with retention spring or interference fixing) - BR-B0500X1 (for brakes with screw fixing)	

SPOKES		
FRONT / REAR LH	WH-01BWT045	4 spokes + 4 nipples
REAR RH	WH-02BWT045	4 spokes + 4 nipples
NIPPLES	WH-015B080	black - 10 pieces
NIPPLE INSERT	UT-WH160	magnet-attractor for nipple
NIPPLE MAGNET	UT-WH050	nipple-guide
SPOKE SPANNER	UT-WH090	spoke wrenches

ACCESSORIES		
Spacer for HG11 FW body	FH-BUU001	5 pcs - to be used only with 9/10s sprockets (HG11 FW body package contains the spacer)

HUBS		
	<div style="border: 1px solid black; padding: 5px; width: fit-content;"> <p><b>HB-SH200 USB™ KIT front</b></p> <p>2 x A, 2 x B, 2 x C, 2 x D</p> </div>	
	<div style="border: 1px solid black; padding: 5px; width: fit-content;"> <p><b>HB-SH100 USB™ KIT</b></p> <p>2 x E, 2 x F, 2 x G, 2 x H</p> </div>	
QUICK-RELEASES	QR12-BUUBFR	front + rear
Complete FW body / Corpetti RL completi	FH-BUU015 (Campagnolo 9/12) - FH-B0015X1 (HG 9/12) - FH-BU020XDR (XDR V2)	See exploded view pag. 132



RIM		
	FRONT RIM	WH-03BWT033 (bright) - WH-05BWT033 (dark)
	REAR RIM	WH-04BWT033 (bright) - WH-06BWT033 (dark)
	2-WAY FIT VALVE	VA-2WF44
	VALVE HOLE	6,5 mm
	VALVE HOLE BUSHING	WH-BUU002 (5 pcs.)
	DIAMETER	700C (622 x 19C)
BRAKE SHOES	for carbon rims - BR-B0500 (for brakes with retention spring or interference fixing) - BR-B0500X1 (for brakes with screw fixing)	

SPOKES		
FRONT / REAR LH L.279	WH-01BWT033	4 spokes + 4 nipples
REAR RH L.278	WH-02BWT033	4 spokes + 4 nipples
NIPPLES	WH-015B080	black - 10 pieces
NIPPLE INSERT	UT-WH160	magnet-attractor for nipple
NIPPLE MAGNET	UT-WH050	nipple-guide
SPOKE SPANNER	UT-WH090	spoke wrenches

ACCESSORIES		
Spacer for HG11 FW body	FH-BUU001	5 pcs - to be used only with 9/10s sprockets (HG11 FW body package contains the spacer)

HUBS		
	<p><b>HB-SH200 USB™ KIT front</b></p> <p>2 x A, 2 x B, 2 x C, 2 x D</p>	
	<p><b>HB-SH100 USB™ KIT</b></p> <p>2 x E, 2 x F, 2 x G, 2 x H</p>	
QUICK-RELEASES	QR12-BUUBFR	front + rear
Complete FW body / Corpetti RL completi	FH-BUU015 (Campagnolo 9/12) - FH-B0015X1 (HG 9/12) - FH-BU020XDR (XDR V2)	See exploded view pag. 132

RIM		
FRONT	REAR	
FRONT RIM	REAR RIM	WH-103SHM (no labels)
LABEL KIT		WH-104SHM (no labels)
VALVE HOLE		LAB-SHMC17 (front+rear)
DIAMETER		6,5 mm
BRAKE PADS		622 x 17C
		for rims with Plasma Electrolytic Oxidation treatment: BR-PE05001 (for brakes with retention spring fixing) - BR-PE0500X1 (for brakes with screw fixing)

SPOKES		
FRONT KIT	KIT-23SHB	16 front spokes
REAR KIT	KIT-34SHB	14 front/rear right spokes + 7 rear left spokes
COMPLETE FRONT SPOKE	WH-105SHM	spoke + nipple
COMPLETE REAR RIGHT SPOKE	WH-008SHM	spoke + nipple
COMPLETE REAR LEFT SPOKE	WH-007SHM	spoke + nipple
NIPPLES	WH-015SHM	10 pieces
SPOKE RING	UT-WH010	anti-rotation spokes
NIPPLE INSERT	UT-WH020	magnet-attractor for nipple
NIPPLE MAGNET	UT-WH050	nipple-guide
SPOKE SPANNER	UT-WH270	spoke wrench (SERVICE CENTER Only)

ACCESSORIES		
Spacer for HG11 FW body	FH-BUU001	5 pcs - to be used only with 9/10s sprockets (HG11 FW body package contains the spacer)

HUBS		
	<p><b>HB-SH200 USB™ KIT front</b></p> <p>2 x A, 2 x B, 2 x C, 2 x D</p>	
	<p><b>HB-SH100 USB™ KIT</b></p> <p>2 x E, 2 x F, 2 x G, 2 x H</p>	
QUICK-RELEASES	QR13-80FR	front + rear

RIM		
	<p>FRONT RIM REAR RIM LABEL KIT VALVE HOLE 2-WAY FIT™ VALVE VALVE HOLE BUSHING DIAMETER BRAKE PADS</p>	<p>WH-313SHB (no labels) WH-314SHB (no labels) LAB-SH2B17 (front+rear) 7,5 mm WH-SH101 5-WH-SH002 (for valve seat reduction - 5 pcs)  634 mm see "brake pads compatibility table" on <a href="http://www.campagnolo.com">www.campagnolo.com</a></p>

SPOKES		
FRONT KIT	KIT-23SHB	16 front/rear right spokes
REAR KIT	KIT-34SHB	14 front/rear right spokes + 7 rear left spokes
COMPLETE FRONT SPOKE	WH-205SHB	spoke + nipple
COMPLETE REAR LEFT SPOKE	WH-207SHB	spoke + nipple
COMPLETE REAR RIGHT SPOKE	WH-208SHB	spoke + nipple
NIPPLES	WH-115SH	10 pieces
SPOKE RING	UT-WH010	anti-rotation spokes
NIPPLE INSERT	UT-WH020	magnet-attractor for nipple
NIPPLE MAGNET	UT-WH050	nipple-guide
SPOKE SPANNER	UT-WH070	spoke wrenches

ACCESSORIES		
Spacer for HG11 FW body	FH-BUU001	5 pcs - to be used only with 9/10s sprockets (HG11 FW body package contains the spacer)

HUBS		
	<p><b>HB-SH200 USB™ KIT front</b> 2 x A, 2 x B, 2 x C, 2 x D</p>	
	<p><b>HB-SH100 USB™ KIT</b> 2 x E, 2 x F, 2 x G, 2 x H</p>	
QUICK-RELEASES	QR13-80FR	front + rear

RIM		
	<p>FRONT RIM REAR RIM LABEL KIT VALVE HOLE DIAMETER BRAKE PADS</p>	<p>WH-403SHB (no labels) WH-404SHB (no labels) LAB-SHCB17 6,5 mm 622 X 17C see "brake pads compatibility table" on <a href="http://www.campagnolo.com">www.campagnolo.com</a></p>

SPOKES		
FRONT KIT	KIT-23SHB	16 front/rear right spokes
REAR KIT	KIT-34SHB	14 front/rear right spokes + 7 rear left spokes
COMPLETE FRONT	WH-205SHB	spoke + nipple
COMPLETE REAR LEFT SPOKE	WH-207SHB	spoke + nipple
COMPLETE REAR RIGHT SPOKE	WH-208SHB	spoke + nipple
NIPPLES	WH-115SH	10 pieces
SPOKE RING	UT-WH010	anti-rotation spokes
NIPPLE INSERT	UT-WH020	magnet-attracting nipple insert
NIPPLE MAGNET	UT-WH050	nipple attracting magnet
SPOKE SPANNER	UT-WH070	spoke wrenches

ACCESSORIES		
Spacer for HG11 FW body	FH-BUU001	5 pcs - to be used only with 9/10s sprockets (HG11 FW body package contains the spacer)

### HUBS

**HB-SH200 USB™ KIT front**  
2 x A, 2 x B,  
2 x C, 2 x D

**HB-SH100 USB™ KIT**  
2 x E, 2 x F,  
2 x G, 2 x H

**QUICK-RELEASES**      QR13-80FR      front + rear

RIM BRAKE WHEELS

RIM BRAKE WHEELS

RIM		
	<p>FRONT RIM REAR RIM LABEL KIT VALVE HOLE DIAMETER BRAKE PADS</p>	<p>WH-403ZOB (with labels) WH-504ZOB (with labels) LAB-ZOCB17 (for a pair of front+rear wheels) 6,5 mm 622 X 17C see "brake pads compatibility table" on <a href="http://www.campagnolo.com">www.campagnolo.com</a></p>

SPOKES		
FRONT SPOKE	WH-116ZOC	4 spokes + 4 nipples
REAR RH SPOKE	WH-118ZOC	4 spokes + 4 nipples
REAR LH SPOKE	WH-119ZOC	4 spokes + 4 nipples
NIPPLES	WH-115ZO	50 pieces
NIPPLE INSERT	UT-WH035	magnet-attractor for nipple
NIPPLE MAGNET	UT-WH050	nipple-guide

ACCESSORIES		
Spacer for HG11 FW body	FH-BUU001	5 pcs - to be used only with 9/10s sprockets (HG11 FW body package contains the spacer)

### HUBS

**FRONT HUB COMPONENTS:** HB-B0119, HB-B0021 (4 pcs), HB-Z0023 (4 pcs), HB-B0124 (4 pcs), HB-B0127, HB-B0020, HB-B0122 (4 pcs), HB-B0201.

**REAR HUB COMPONENTS:** HB-B0124 (4 pcs), HB-Z0023 (4 pcs), HB-B0122 (4 pcs), HB-B0021 (4 pcs), HB-EU019, 4-HB-RE021, 4-HB-RE023 (steel), HB-EU025, 4-HB-RE124, 4-HB-RE021, FH-B0027, FH-B0021, HB-RE020, 4-HB-RE022, 4-HB-RE124, 5-FH-RE114 (5 pcs.), 4-HB-RE023 (steel), 5-FH-RE114 (5 pcs.), FH-EU026, 4-HB-RE022, FH-B0001, FH-B0014, FH-BUU004 (4 pcs), FH-BUU015 (Campy 9/12), FH-B0014, FH-BUU001 (5 pcs), FH-BUU004 (4 pcs), FH-B0015X1 (HG 9/12), FH-RE126.

**HB-RE100 HUB KIT**

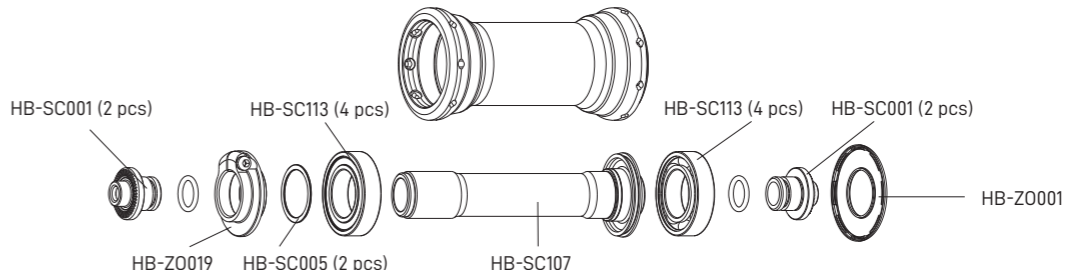
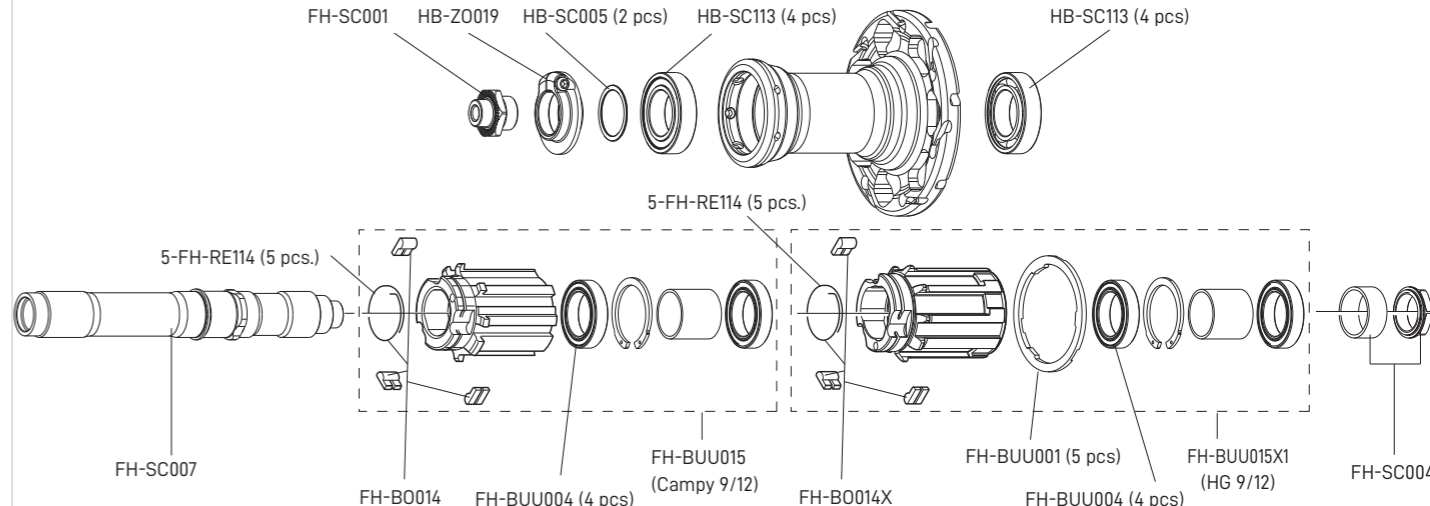
- 2 x HB-RE021
- 2 x HB-RE022
- 2 x HB-RE124
- 2 x HB-RE023

**QUICK-RELEASES:** QR12-ZOBFR front + rear

RIM		
	RIM-TAPE LABEL KIT	WH-RT003 (2 pieces)
	VALVE HOLE DIAMETER	6,5 mm
BRAKE PADS	LAB-SCCB18 (for a pair of front+rear wheels)	622 x 17C
		see "brake pads compatibility table" on <a href="http://www.campagnolo.com">www.campagnolo.com</a>

SPOKES		
FRONT SPOKE	WH-016SCC	4 spokes + 4 nipples
REAR RH SPOKE	WH-018SCC	4 spokes + 4 nipples
REAR LH SPOKE	WH-019SCC	4 spokes + 4 nipples

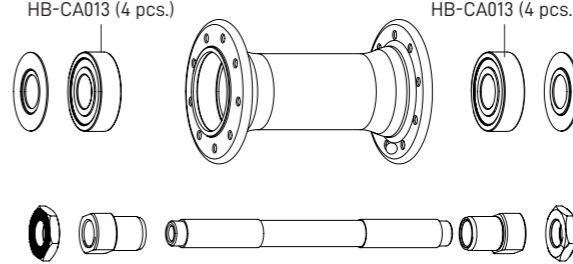
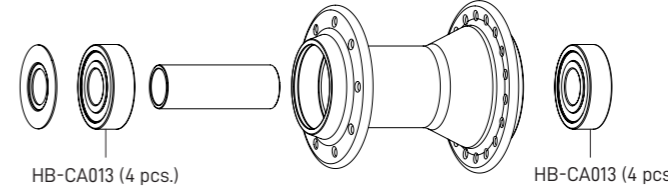
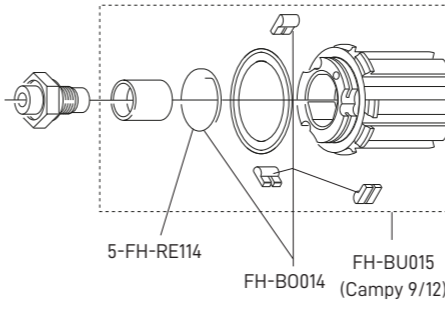
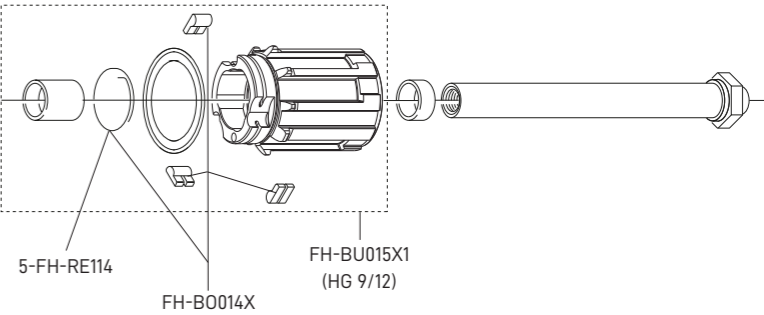
ACCESSORIES		
Spacer for HG11 FW body	FH-BUU001	5 pcs - to be used only with 9/10s sprockets (HG11 FW body package contains the spacer)

HUBS		
		
		
QUICK-RELEASES	QR12-ZOBFR	front + rear

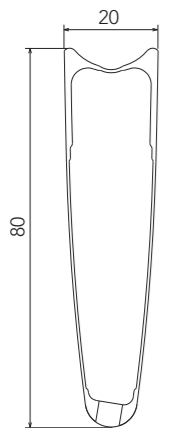
RIM		
	RIM-TAPE LABEL KIT	WH-RT003 (20.-5 mm - 2 pieces)
	VALVE HOLE DIAMETER	LAB-CAC18 (BLACK - front+rear)
BRAKE PADS	6,5 mm	622 x 17C
		see "brake pads compatibility table" on <a href="http://www.campagnolo.com">www.campagnolo.com</a>

SPOKES		
FRONT SPOKE	WH-016CAC	4 spokes + 4 nipples
REAR RH SPOKE	WH-018CAC	4 spokes + 4 nipples
REAR LH SPOKE	WH-019CAC	4 spokes + 4 nipples
NIPPLES	50-WH-NZO	50 pcs

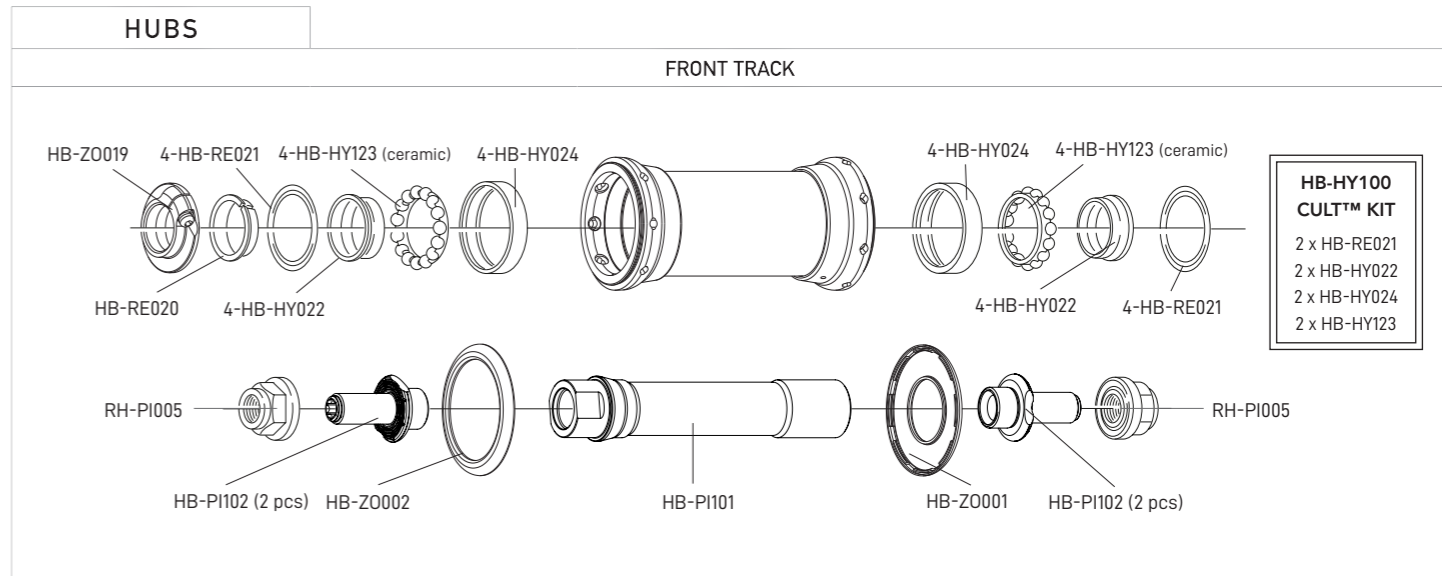
ACCESSORIES		
Spacer for HG11 FW body	FH-BUU001	5 pcs - to be used only with 9/10s sprockets (HG11 FW body package contains the spacer)

HUBS		
	HB-CA013 (4 pcs.)	HB-CA013 (4 pcs.)
	HB-CA013 (4 pcs.)	HB-CA013 (4 pcs.)
	5-FH-RE114	FH-BU015 (Campy 9/12)
	5-FH-RE114	FH-BU015X1 (HG 9/12)
QUICK-RELEASES	QR8-40BFR	front + rear



RIM		
	FRONT RIM	WH-101B080
	VALVE HOLE	6,5 mm
	VALVE EXTENSION	UT-WH160M (male extension) - UT-WH160F (female extension)
	VALVE HOLE BUSHING	WH-BUU002 (5 pcs.) 
	DIAMETER	634 mm

SPOKES		
FRONT SPOKE	WH-016BOT80	4 spokes + 4 nipples
NIPPLES	WH-07BWT045DB	black - 10 pieces
NIPPLE INSERT	UT-WH160	magnet-attractor for nipple
NIPPLE MAGNET	UT-WH050	nipple-guide
SPOKE SPANNER	UT-WH090	spoke wrenches





RIM	
VALVE HOLE STICKERS	WH-100BOTT (5 pcs)
VALVE HOLE BUSHINGS	WH-BUU002
VALVE EXTENSION	UT-WH130M
BRAKE SHOES	for carbon rims - BR-B0500 (for brakes with retention spring or interference fixing) - BR-B0500X1 (for brakes with screw fixing)

ACCESSORIES		
Spacer for HG11 FW body	FH-BUU001	5 pcs - to be used only with 9/10s sprockets (HG11 FW body package contains the spacer)

**HUBS**

FH-B0003TT HB-EU019 4-HB-RE021 HB-B0023 (4 pcs - ceramic) 4-HB-HY024 4-HB-RE021 FH-B0121  
 FH-B0021 HB-RE020 4-HB-HY022 4-HB-HY024 4-HB-HY123 (ceramic) 4-HB-HY022  
 5-FH-RE114 (5 pcs.) FH-B0014 FH-BUU004 (4 pcs) FH-BUU015 (Campy 9/12) FH-B0014X FH-BUU001 (5 pcs) FH-BUU015X1 (HG 9/12) FH-B0002TT  
 FH-B0001TT 5-FH-RE114 (5 pcs.) FH-BUU004 (4 pcs) FH-BUU001 (5 pcs) FH-BUU015X1 (HG 9/12) FH-B0002TT

QUICK-RELEASES	
QR12-BUUBFR	front + rear

RIM	
VALVE HOLE STICKERS	WH-100BOTT (5 pcs)
VALVE HOLE BUSHINGS	WH-BUU002 (5 pcs.)
VALVE EXTENSION	UT-WH130M

**HB-B0100 CULT™ KIT front**  
 2 x HB-B0023  
 2 x HB-B0024  
 2 x HB-B0022  
 2 x HB-B0021

**HUBS**

**FRONT TRACK**

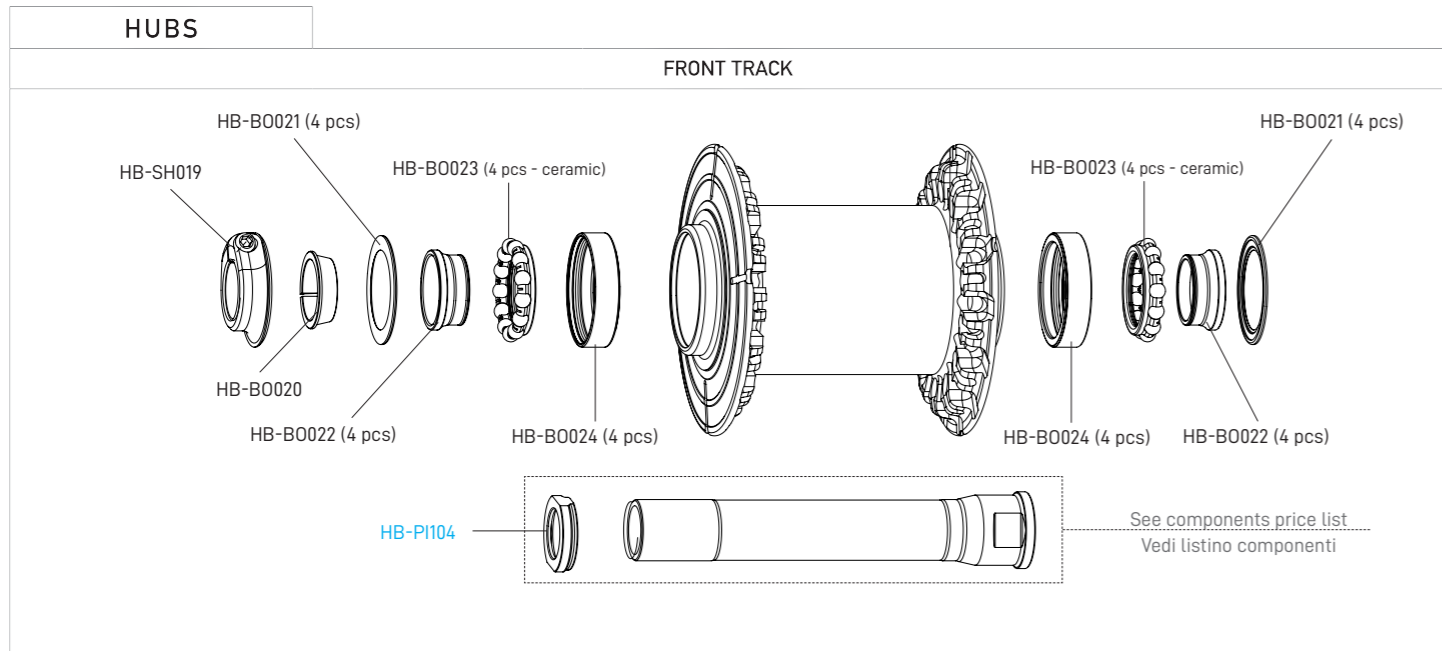
HB-B0021 (4 pcs) HB-SH019 HB-B0023 (4 pcs - ceramic) HB-B0024 (4 pcs) HB-B0024 (4 pcs) HB-B0023 (4 pcs - ceramic) HB-PI002  
 HB-PI002 HB-B0020 HB-B0022 (4 pcs) HB-B0024 (4 pcs) HB-B0022 (4 pcs) HB-GH001 HB-PI102 (2 pcs) HB-B0021 (4 pcs)


**REAR TRACK**

HB-B0021 (4 pcs) HB-SH019 HB-B0023 (4 pcs - ceramic) HB-B0024 (4 pcs) HB-B0024 (4 pcs) HB-B0023 (4 pcs - ceramic) RH-PI005  
 RH-PI005 HB-PI102 (2 pcs) HB-B0020 HB-B0022 (4 pcs) HB-B0024 (4 pcs) HB-B0022 (4 pcs) RH-GH001 HB-PI102 (2 pcs) HB-B0021 (4 pcs)

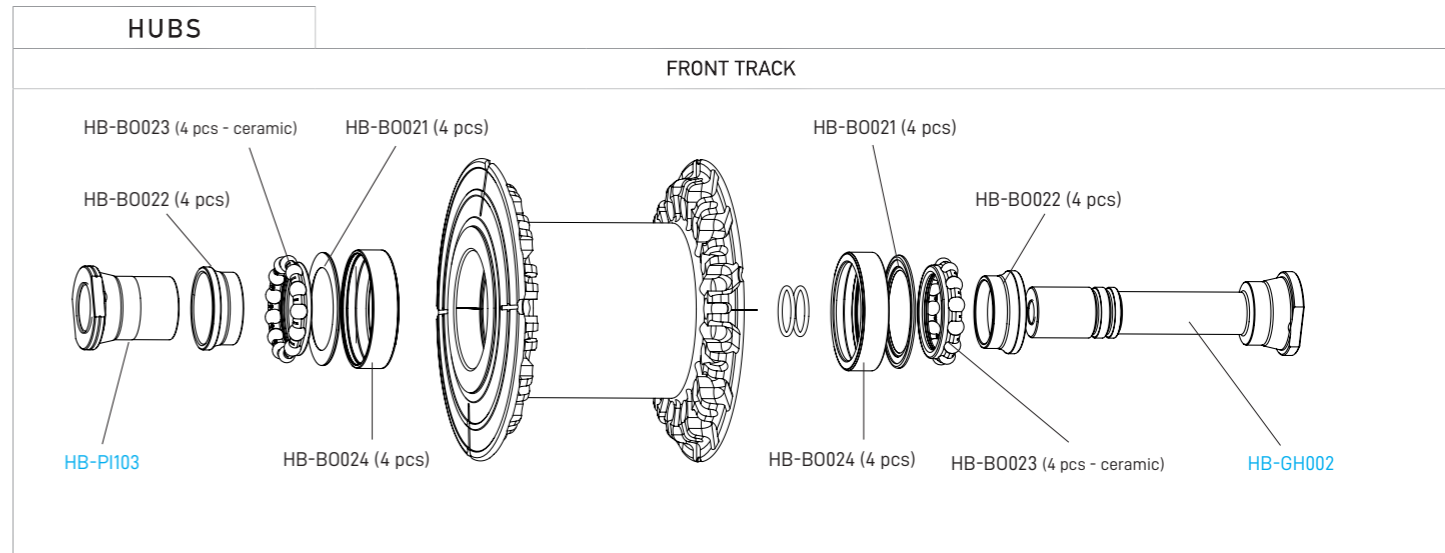
RIM	
VALVE HOLE STICKERS	WH-100BOTT (5 pcs)
VALVE HOLE BUSHINGS	WH-BUU002 (5 pcs.) 
VALVE EXTENSION	UT-WH130M

**HB-BO100  
CULT™ KIT  
front**  
2 x HB-B0023  
2 x HB-B0024  
2 x HB-B0022  
2 x HB-B0021



RIM	
VALVE HOLE STICKERS	WH-100BOTT (5 pcs)
VALVE HOLE BUSHINGS	WH-BUU002 (5 pcs.) 
VALVE EXTENSION	UT-WH130M

**HB-BO100  
CULT™ KIT  
front**  
2 x HB-B0023  
2 x HB-B0024  
2 x HB-B0022  
2 x HB-B0021



RIM		
	FRONT / REAR RIM	WH-01BWU60 (with stickers and nipples)
	VALVE HOLE	6,5 mm
	VALVE EXTENSION	UT-HU150 (male extension)
	2-WAY FIT™ VALVE	VA-2WF44
	VALVE HOLE BUSHING	WH-BUU002 (5 pcs.)
	DIAMETER	700C (622 x 19C)

SPOKES		
FRONT LH/REAR RH	WH-02BWU45	4 spokes + 4 nipples
FRONT RIGHT	WH-02BWU60	4 spokes + 4 nipples
REAR LEFT	WH-03BWU60	4 spokes + 4 nipples
NIPPLES	WH-05BWU45	10 pieces
NIPPLE INSERT + SPANNER	UT-WH290	magnet-attractor for nipple + wrench
NIPPLE MAGNET	UT-WH050	nipple-guide

ACCESSORIES		
Spacer for HG11 FW body	FH-BUU001	5 pcs - to be used only with 9/10s sprockets (HG11 FW body package contains the spacer)
AFS™ lockring	4-M1-101B	to fix the rotor

HUBS	
	<div style="border: 1px solid black; padding: 5px;"> <p><b>HB-HY100 CULT™ KIT</b></p> <p>2 x E, 2 x F, 2 x G, 2 x H</p> </div>
	<div style="border: 1px solid black; padding: 5px;"> <p><b>HB-HY100 CULT™ KIT</b></p> <p>2 x E, 2 x F, 2 x G, 2 x H</p> </div>

Complete FW body Ø 33 mm/ Corpetti RL completi Ø 33 mm FH-HGA33 (HG 9/12) - FH-N3WA33 (Campagnolo N3W) - FH-XDRA33 (XDR) See exploded view pag. 132

RIM		
	FRONT / REAR RIM	WH-01BWU45 (with stickers and nipples)
	VALVE HOLE	6,5 mm
	2-WAY FIT™ VALVE L=55	VA-2WF55
	VALVE HOLE BUSHING	WH-BUU002 (5 pcs.)
DIAMETER		700C (622 x 19C)

SPOKES		
FRONT LH/REAR RH	WH-03BWU45	4 spokes + 4 nipples
FRONT RIGHT	WH-02BWU45	4 spokes + 4 nipples
REAR LEFT	WH-04BWU45	4 spokes + 4 nipples
NIPPLES	WH-05BWU45	10 pieces
NIPPLE INSERT + SPANNER	UT-WH290	magnet-attractor for nipple + wrench
NIPPLE MAGNET	UT-WH050	nipple-guide

ACCESSORIES		
Spacer for HG11 FW body	FH-BUU001	5 pcs - to be used only with 9/10s sprockets (HG11 FW body package contains the spacer)
AFS™ lockring	4-M1-101B	to fix the rotor

HUBS	
	<div style="border: 1px solid black; padding: 5px; width: fit-content;"> <p><b>HB-HY100 CULT™ KIT</b></p> <p>2 x E, 2 x F, 2 x G, 2 x H</p> </div>
	<div style="border: 1px solid black; padding: 5px; width: fit-content;"> <p><b>HB-HY100 CULT™ KIT</b></p> <p>2 x E, 2 x F, 2 x G, 2 x H</p> </div>

Complete FW body Ø 33 mm/ Corpetti RL completi Ø 33 mm

FH-HGA33 (HG 9/12) - FH-N3WA33 (Campagnolo N3W) - FH-XDRA33 (XDR)

See exploded view pag. 132

RIM		
	FRONT / REAR RIM	WH-01BWU33 (with stickers and nipples)
	VALVE HOLE	6,5 mm
	2-WAY FIT™ VALVE L=44	VA-2WF44
	VALVE HOLE BUSHING	WH-BUU002 (5 pcs.)
DIAMETER		700C (622 x 21C)

SPOKES		
FRONT LH/REAR RH	WH-02BWU33	4 spokes + 4 nipples
FRONT RIGHT	WH-03BWU33	4 spokes + 4 nipples
REAR LEFT	WH-04BWU33	4 spokes + 4 nipples
NIPPLES	WH-05BWU45	10 pieces
NIPPLE INSERT + SPANNER	UT-WH290	magnet-attractor for nipple + wrench
NIPPLE MAGNET	UT-WH050	nipple-guide

ACCESSORIES		
Spacer for HG11 FW body	FH-BUU001	5 pcs - to be used only with 9/10s sprockets (HG11 FW body package contains the spacer)
AFS™ locking	4-M1-101B	to fix the rotor

HUBS	
	<div style="border: 1px solid black; padding: 5px; width: fit-content;"> <p><b>HB-HY100 CULT™ KIT</b></p> <p>2 x E, 2 x F, 2 x G, 2 x H</p> </div>
	<div style="border: 1px solid black; padding: 5px; width: fit-content;"> <p><b>HB-HY100 CULT™ KIT</b></p> <p>2 x E, 2 x F, 2 x G, 2 x H</p> </div>

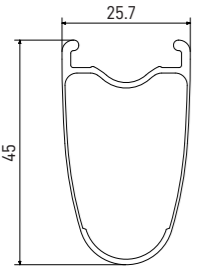

Complete FW body Ø 33 mm/ Corpetti RL completi Ø 33 mm    FH-HGA33 (HG 9/12) - FH-N3WA33 (Campagnolo N3W) - FH-XDRA33 (XDR)    See exploded view pag. 132

RIM		
	RIM	WH-02BWT060DB (dark)
	VALVE HOLE	6,5 mm
	VALVE EXTENSION	UT-HU150 (male extension)
	2-WAY FIT™ VALVE	VA-2WF44
	VALVE HOLE BUSHING	WH-BUU002 (5 pcs.)
	DIAMETER	700C (622 x 19C)

SPOKES		
FRONT LH / REAR RH L. 265	WH-02BWT045	4 spokes + 4 nipples
FRONT RIGHT L. 250,5	WH-02BWT060	4 spokes + 4 nipples
REAR LEFT L. 274	WH-01BWT060DB	4 spokes + 4 nipples
NIPPLES	WH-07BWT045DB	black - 10 pieces
NIPPLE INSERT	UT-WH160	magnet-attractor for nipple
NIPPLE MAGNET	UT-WH050	nipple-guide
SPOKE SPANNER	UT-WH090	spoke wrenches

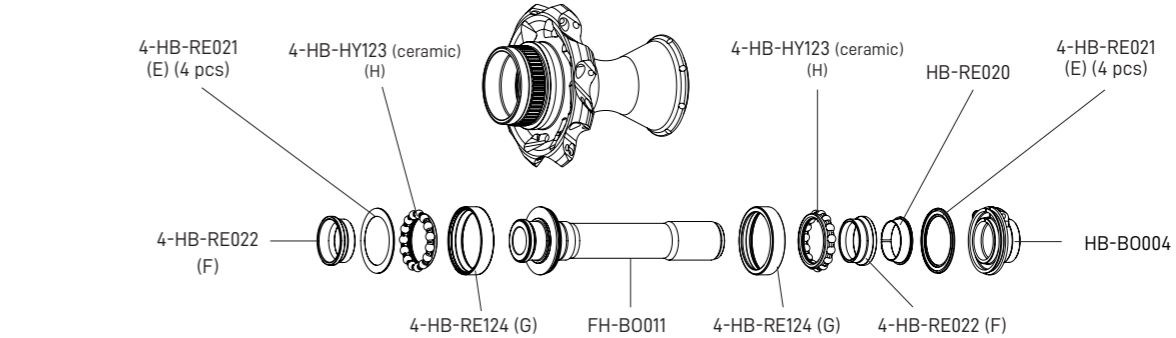
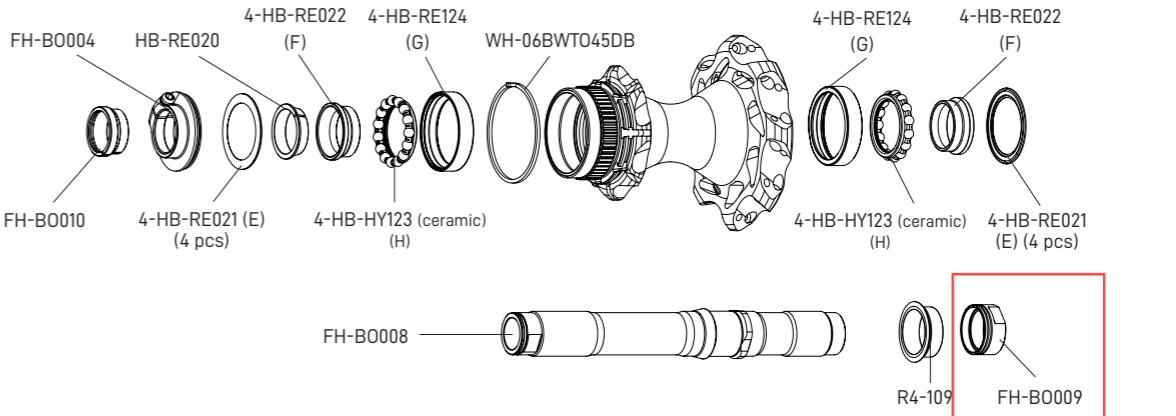
ACCESSORIES		
Spacer for HG11 FW body	FH-BUU001	5 pcs - to be used only with 9/10s sprockets (HG11 FW body package contains the spacer)
AFS™ lockring	4-M1-101B	to fix the rotor

HUBS		
		<div style="border: 1px solid black; padding: 5px;"> <b>HB-SH100 USB™ KIT</b>                      2 x E                      2 x F                      2 x G                      2 x H                 </div>
		<div style="border: 1px solid black; padding: 5px;"> <b>HB-SH100 USB™ KIT</b>                      2 x E                      2 x F                      2 x G                      2 x H                 </div>
Complete FW body / Corpetti RL completi	FH-BUU015 (Campagnolo 9/12) - FH-B0015X1 (HG 9/12) - FH-BU020XDR (XDR)	See exploded view pag. 132

RIM		
	RIM	WH-03BWT045DB (dark)
	VALVE HOLE	6,5 mm
	VALVE EXTENSION	UT-WH130M (male extension)
	2-WAY FIT™ VALVE	WH-SH101
	VALVE HOLE BUSHING	WH-BUU002 (5 pcs.) 
DIAMETER	700C (622 x 19C)	

SPOKES		
FRONT RH L. 265	WH-02BWT045	4 spokes + 4 nipples
FRONT LH / REAR RH L. 280,5	WH-04BWT045DB	4 spokes + 4 nipples
REAR LH L. 261,5	WH-05BWT045DB	4 spokes + 4 nipples
NIPPLES	WH-07BWT045DB	black - 10 pieces
NIPPLE INSERT	UT-WH160	magnet-attractor for nipple
NIPPLE MAGNET	UT-WH050	nipple-guide
SPOKE SPANNER	UT-WH090	spoke wrenches

ACCESSORIES		
Spacer for HG11 FW body	FH-BUU001	5 pcs - to be used only with 9/10s sprockets (HG11 FW body package contains the spacer)
AFS™ lockring	4-M1-101B	to fix the rotor

HUBS		
		
<div style="border: 1px solid black; padding: 5px; width: fit-content; margin-left: auto; margin-right: auto;"> <b>HB-SH100 USB™ KIT</b>                      2 x E                      2 x F                      2 x G                      2 x H                 </div>		
		
<div style="border: 1px solid black; padding: 5px; width: fit-content; margin-left: auto; margin-right: auto;"> <b>HB-SH100 USB™ KIT</b>                      2 x E                      2 x F                      2 x G                      2 x H                 </div>		
Complete FW body / Corpetti RL completi	FH-BUU015 (Campagnolo 9/12) - FH-B0015X1 (HG 9/12) - FH-BU020XDR (XDR)	See exploded view pag. 132

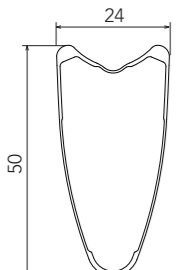

RIM		
	RIM	WH-04BWT033DB (dark)
	VALVE HOLE	6,5 mm
	2-WAY FIT™ VALVE	VA-2WF44
	VALVE HOLE BUSHING	WH-BUU002 (5 pcs.)
DIAMETER		700C (622 x 19C)

SPOKES		
FRONT LH / REAR LH L. 292,5	WH-01BWT033DB	4 spokes + 4 nipples
FRONT RH L. 277,5	WH-02BWT033DB	4 spokes + 4 nipples
REAR RH L. 274	WH-03BWT033DB	4 spokes + 4 nipples
NIPPLES	WH-07BWT045DB	black - 10 pieces
NIPPLE INSERT	UT-WH160	magnet-attractor for nipple
NIPPLE MAGNET	UT-WH050	nipple-guide
SPOKE SPANNER	UT-WH090	spoke wrenches

ACCESSORIES		
Spacer for HG11 FW body	FH-BUU001	5 pcs - to be used only with 9/10s sprockets (HG11 FW body package contains the spacer)
AFS™ lockring	4-M1-101B	to fix the rotor

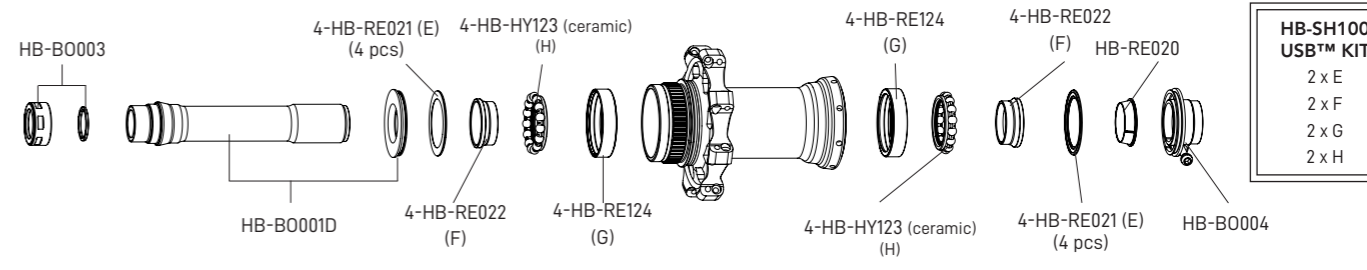
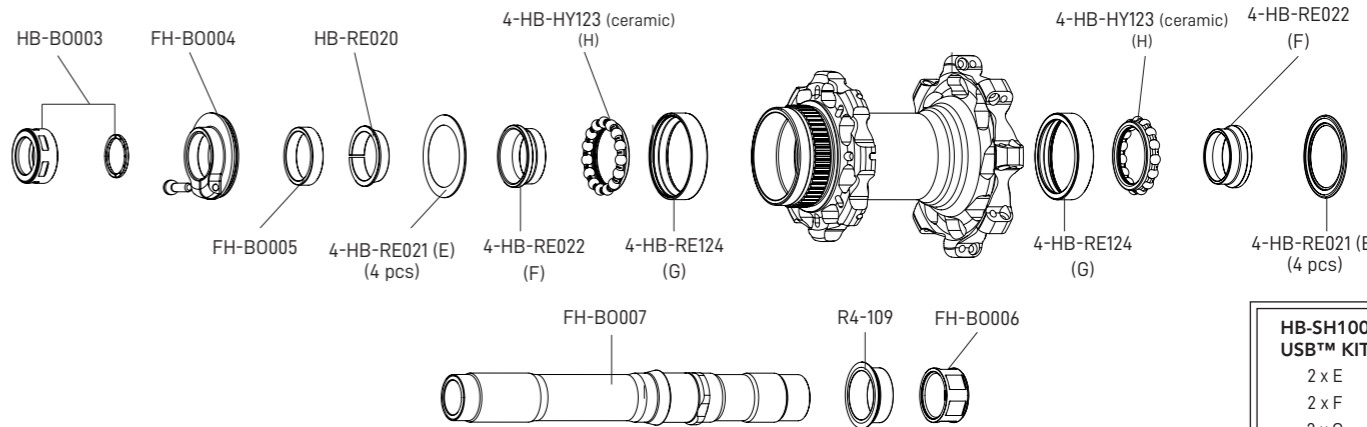
HUBS		
Complete FW body / Corpetti RL completi	FH-BUU015 (Campagnolo 9/12) - FH-B0015X1 (HG 9/12) - FH-BU020XDR (XDR)	See exploded view pag. 132

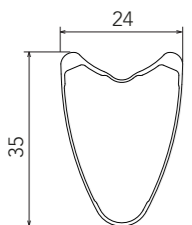



RIM		
	RIM	WH-001B0150DB (bright) - WH-001B0150DBDK (dark)
	VALVE HOLE	6,5 mm
	VALVE HOLE BUSHING	WH-BUU002 (5 pcs.) 
	DIAMETER	700C (622 x 17C)

SPOKES		
FRONT RH L. 262,5	WH-017B050DB	4 spokes + 4 nipples
FRONT LH / REAR RH L. 278	WH-016B035DB	4 spokes + 4 nipples
REAR LH L. 253,5	WH-019B050DB	4 spokes + 4 nipples
NIPPLES	WH-07BWT045DB	black - 10 pieces
NIPPLE INSERT	UT-WH160	magnet-attractor for nipple
NIPPLE MAGNET	UT-WH050	nipple-guide
SPOKE SPANNER	UT-WH090	spoke wrenches

ACCESSORIES		
Spacer for HG11 FW body	FH-BUU001	5 pcs - to be used only with 9/10s sprockets (HG11 FW body package contains the spacer)
AFS™ locking	4-M1-101B	to fix the rotor

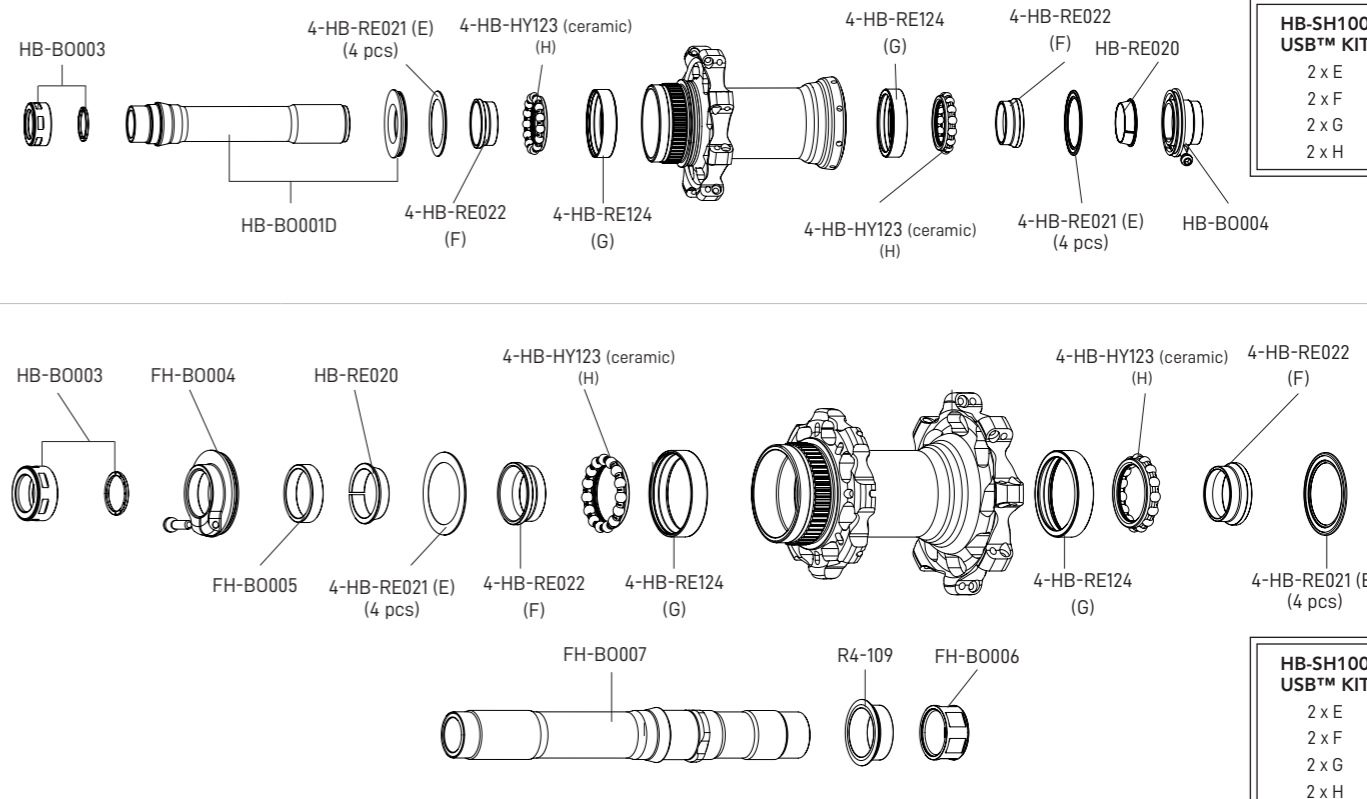
HUBS		
	<p><b>HB-SH100 USB™ KIT</b></p> <ul style="list-style-type: none"> <li>2 x E</li> <li>2 x F</li> <li>2 x G</li> <li>2 x H</li> </ul>	
	<p><b>HB-SH100 USB™ KIT</b></p> <ul style="list-style-type: none"> <li>2 x E</li> <li>2 x F</li> <li>2 x G</li> <li>2 x H</li> </ul>	
Complete FW body / Corpetti RL completi	FH-BUU015 (Campagnolo 9/12) - FH-B0015X1 (HG 9/12) - FH-BU020XDR (XDR V2)	See exploded view pag. 132

RIM		
	RIM	WH-001B0135DB (bright) - WH-001B0135DBDK (dark)
	VALVE HOLE	6,5 mm
	VALVE HOLE BUSHING	WH-BUU002 (5 pcs.) 
	DIAMETER	700C (622 x 17C)

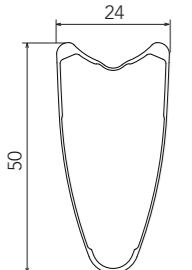

SPOKES		
FRONT LH / REAR RH L. 293	WH-017B035DB	4 spokes + 4 nipples
FRONT RH L. 278	WH-016B035DB	4 spokes + 4 nipples
REAR LH L. 268	WH-019B035DB	4 spokes + 4 nipples
NIPPLES	WH-07BWT045DB	black - 10 pieces
NIPPLE INSERT	UT-WH160	magnet-attractor for nipple
NIPPLE MAGNET	UT-WH050	nipple-guide
SPOKE SPANNER	UT-WH090	spoke wrenches

ACCESSORIES		
Spacer for HG11 FW body	FH-BUU001	5 pcs - to be used only with 9/10s sprockets (HG11 FW body package contains the spacer)
AFS® lockring	4-M1-101B	to fix the rotor

### HUBS

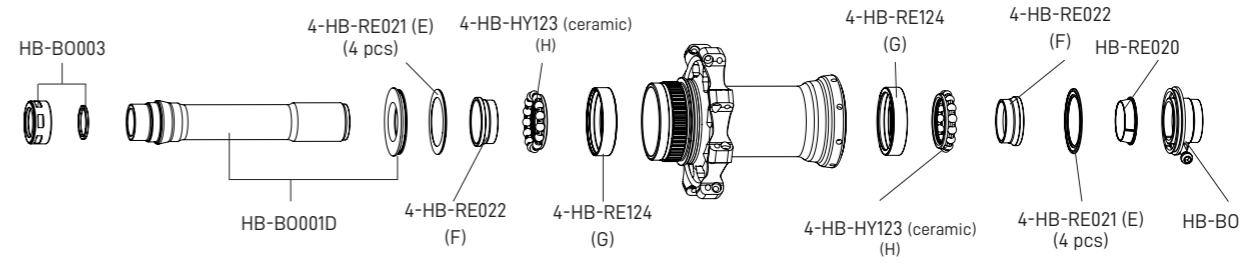
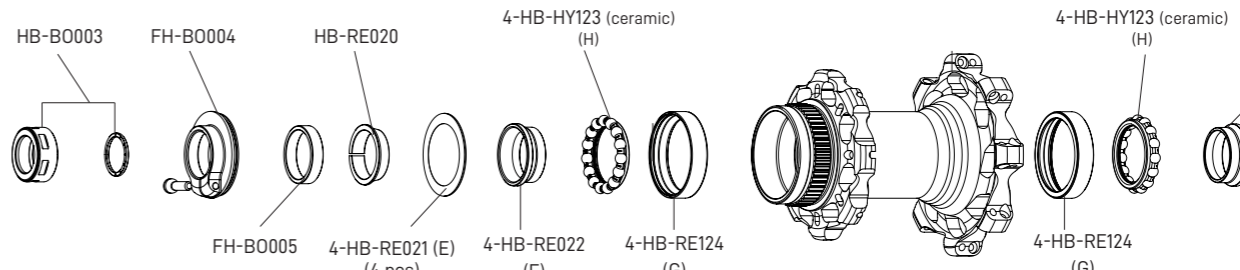


Complete FW body / Corpetti RL completi      FH-BUU015 (Campagnolo 9/12) - FH-B0015X1 (HG 9/12) - FH-BU020XDR (XDR V2)      See exploded view pag. 132

RIM		
	RIM	WH-003B0150DB (bright) - WH-003B0150DBDK (dark)
	VALVE HOLE	6,5 mm
	VALVE HOLE BUSHING	WH-BUU002 (5 pcs.) 
	DIAMETER	700C (622 x 17C)

SPOKES		
FRONT RH L. 262,5	WH-017B050DB	4 spokes + 4 nipples
FRONT LH / REAR RH L. 278	WH-016B035DB	4 spokes + 4 nipples
REAR LH L. 253,5	WH-019B050DB	4 spokes + 4 nipples
NIPPLES	WH-07BWT045DB	black - 10 pieces
NIPPLE INSERT	UT-WH160	magnet-attractor for nipple
NIPPLE MAGNET	UT-WH050	nipple-guide
SPOKE SPANNER	UT-WH090	spoke wrenches

ACCESSORIES		
Spacer for HG11 FW body	FH-BUU001	5 pcs - to be used only with 9/10s sprockets (HG11 FW body package contains the spacer)
AFS® lockring	4-M1-101B	to fix the rotor

HUBS		
	<div style="border: 1px solid black; padding: 5px;"> <b>HB-SH100 USB™ KIT</b>                  2 x E                  2 x F                  2 x G                  2 x H             </div>	
	<div style="border: 1px solid black; padding: 5px;"> <b>HB-SH100 USB™ KIT</b>                  2 x E                  2 x F                  2 x G                  2 x H             </div>	
Complete FW body / Corpetti RL completi	FH-BUU015 (Campagnolo 9/12) - FH-B0015X1 (HG 9/12) - FH-BU020XDR (XDR V2)	See exploded view pag. 132

DISC BRAKE WHEELS

DISC BRAKE WHEELS

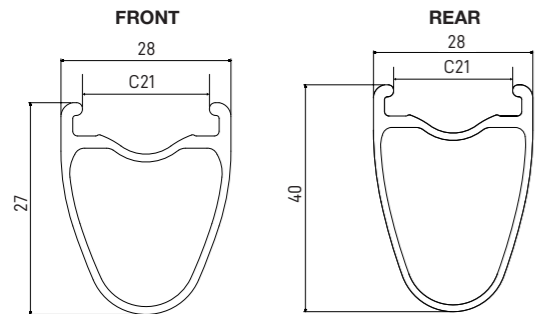
RIM		
	RIM	WH-003B0135DB (bright) - WH-003B0135DBDK (dark)
	VALVE HOLE	6,5 mm
	VALVE HOLE BUSHING	WH-BUU002 (5 pcs.)
	DIAMETER	700C (622 x 17C)

SPOKES		
FRONT LH / REAR RH L. 293	WH-017B035DB	4 spokes + 4 nipples
FRONT RH L. 278	WH-016B035DB	4 spokes + 4 nipples
REAR LH L. 268	WH-019B035DB	4 spokes + 4 nipples
NIPPLES	WH-07BWT045DB	black - 10 pieces
NIPPLE INSERT	UT-WH160	magnet-attractor for nipple
NIPPLE MAGNET	UT-WH050	nipple-guide
SPOKE SPANNER	UT-WH090	spoke wrenches

ACCESSORIES		
Spacer for HG11 FW body	FH-BUU001	5 pcs - to be used only with 9/10s sprockets (HG11 FW body package contains the spacer)
AFS <sup>®</sup> lockring	4-M1-101B	to fix the rotor

HUBS		
	<div style="border: 1px solid black; padding: 5px; width: fit-content;"> <b>HB-SH100 USB™ KIT</b>                      2 x E                      2 x F                      2 x G                      2 x H                 </div>	<div style="border: 1px solid black; padding: 5px; width: fit-content;"> <b>HB-SH100 USB™ KIT</b>                      2 x E                      2 x F                      2 x G                      2 x H                 </div>
	<div style="border: 1px solid black; padding: 5px; width: fit-content;"> <b>HB-SH100 USB™ KIT</b>                      2 x E                      2 x F                      2 x G                      2 x H                 </div>	
Complete FW body / Corpetti RL completi	FH-BUU015 (Campagnolo 9/12) - FH-B0015X1 (HG 9/12) - FH-BU020XDR (XDR V2)	See exploded view pag. 132

## RIM



LABEL KIT	LAB-SHCDB21 (for a pair of front+rear wheels)
VALVE HOLE	7,5 mm
2-WAY FIT™ VALVE	VA-2WF50
DIAMETER	700C (622 x 21C)

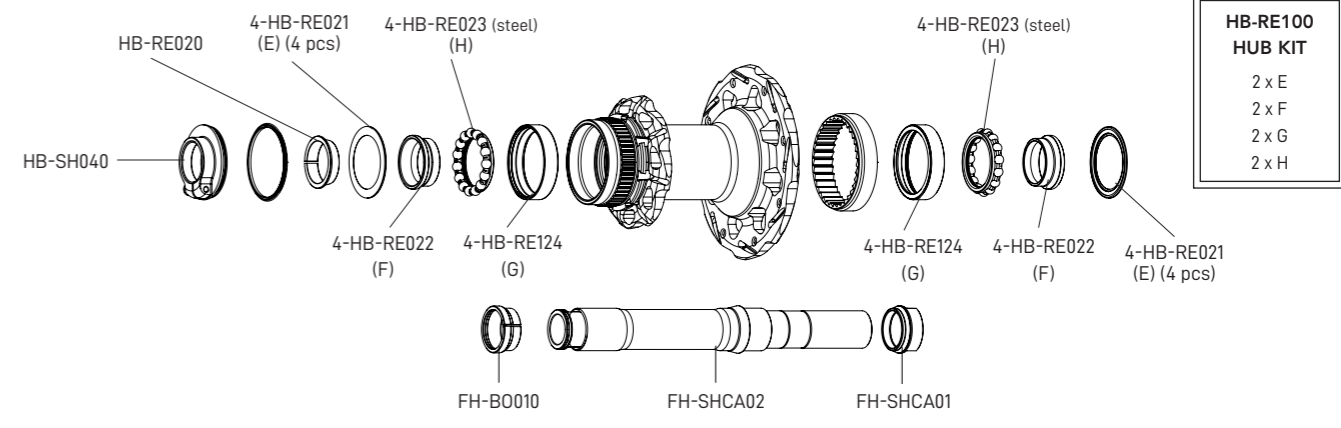
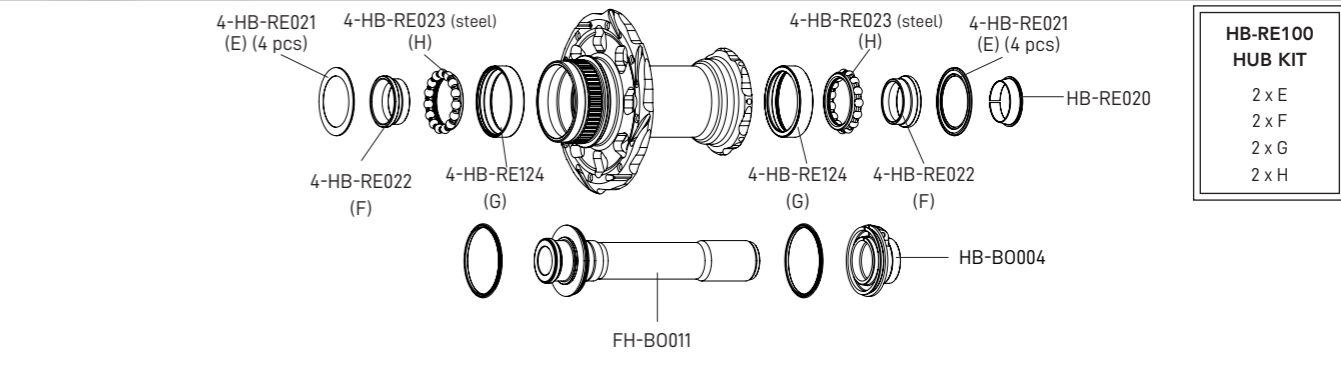
## SPOKES

FRONT LH L.281	WH-016SHCDB	4 spokes + 4 nipples
FRONT RH L.275	WH-017SHCDB	4 spokes + 4 nipples
REAR RH L.276	WH-018SHCDB	4 spokes + 4 nipples
REAR LH L.266	WH-019SHCDB	4 spokes + 4 nipples
NIPPLES	WH-07BWT045DB	black - 10 pieces
NIPPLE INSERT	UT-WH160	magnet-attractor for nipple
NIPPLE MAGNET	UT-WH050	nipple-guide
SPOKE SPANNER	UT-WH090	spoke wrenches

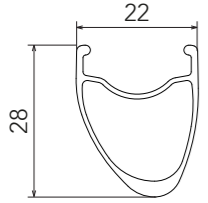
## ACCESSORIES

Spacer for HG11 FW body	FH-BUU001	5 pcs - to be used only with 9/10s sprockets (HG11 FW body package contains the spacer)
AFS™ lockring	4-M1-101B	to fix the rotor

## HUBS



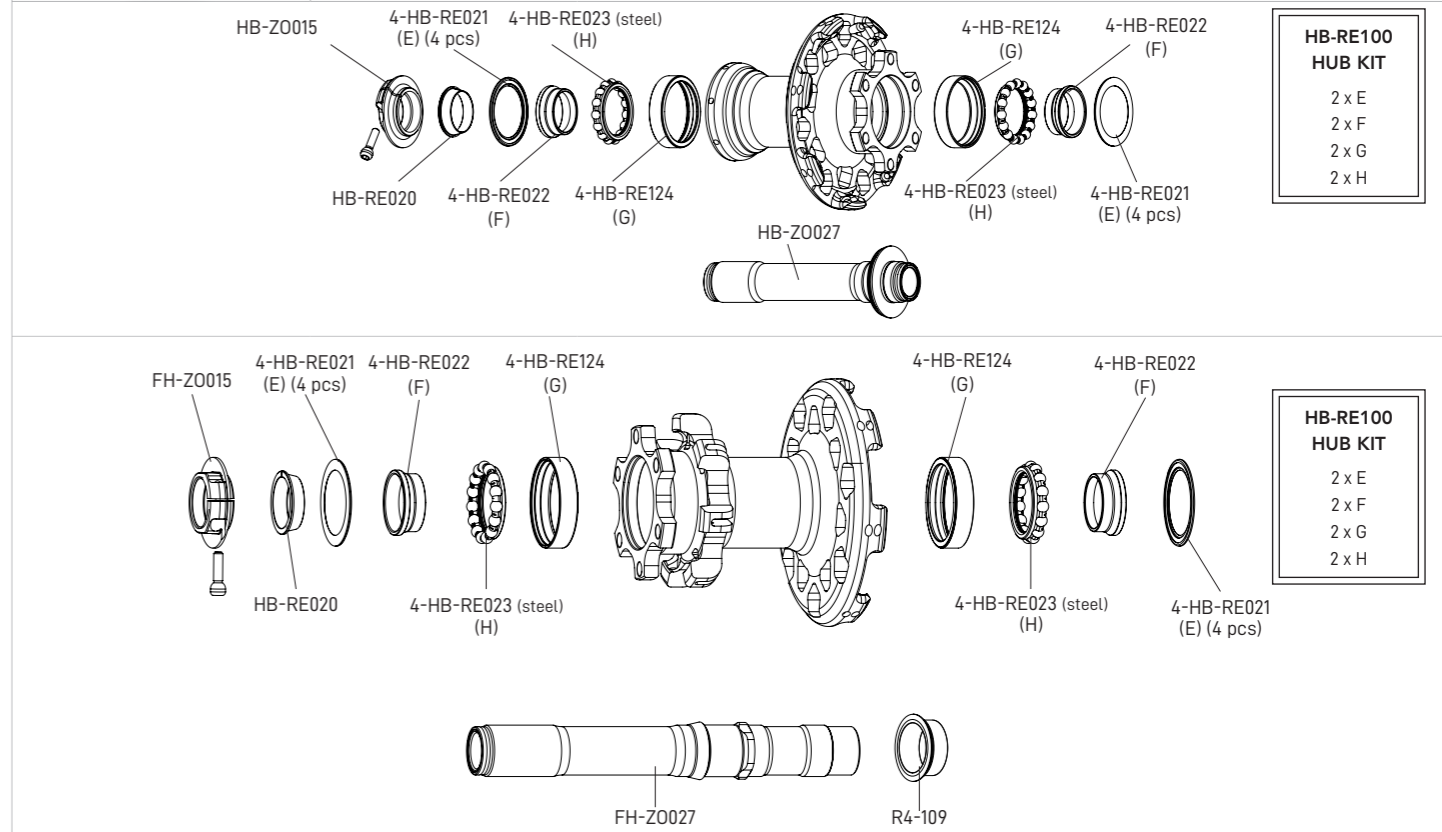
Complete FW body Ø 33 mm/ Corpetti RL completi Ø 33 mm    FH-HGA33 (HG 9/12) - FH-N3WA33 (Campagnolo N3W) - FH-XDRA33 (XDR)    See exploded view pag. 132

RIM		
	FRONT/REAR RIM	WH-003ZODB (with labels)
	LABEL KIT	LAB-ZOCDB17 (for a pair of front+rear wheels)
	VALVE HOLE	6,5 mm
	DIAMETER	622 X 17C

SPOKES		
FRONT LH / REAR RH SPOKE	WH-016ZODB	4 spokes + 4 nipples
FRONT RH SPOKE	WH-017ZODB	4 spokes + 4 nipples
REAR LH SPOKE	WH-019ZODB	4 spokes + 4 nipples
NIPPLES	50-WH-015ZO	50 pieces
NIPPLE INSERT	UT-WH035	magnet-attractor for nipple
NIPPLE MAGNET	UT-WH050	nipple-guide

ACCESSORIES		
Spacer for HG11 FW body	FH-BUU001	5 pcs - to be used only with 9/10s sprockets (HG11 FW body package contains the spacer)
QUICK-RELEASES	QR17-ZODBFK QR17-ZODBRK	front quick-release +kit QR rear quick-release + kit QR

### HUBS

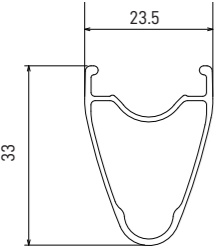


**HB-RE100 HUB KIT**  
2 x E  
2 x F  
2 x G  
2 x H

**HB-RE100 HUB KIT**  
2 x E  
2 x F  
2 x G  
2 x H

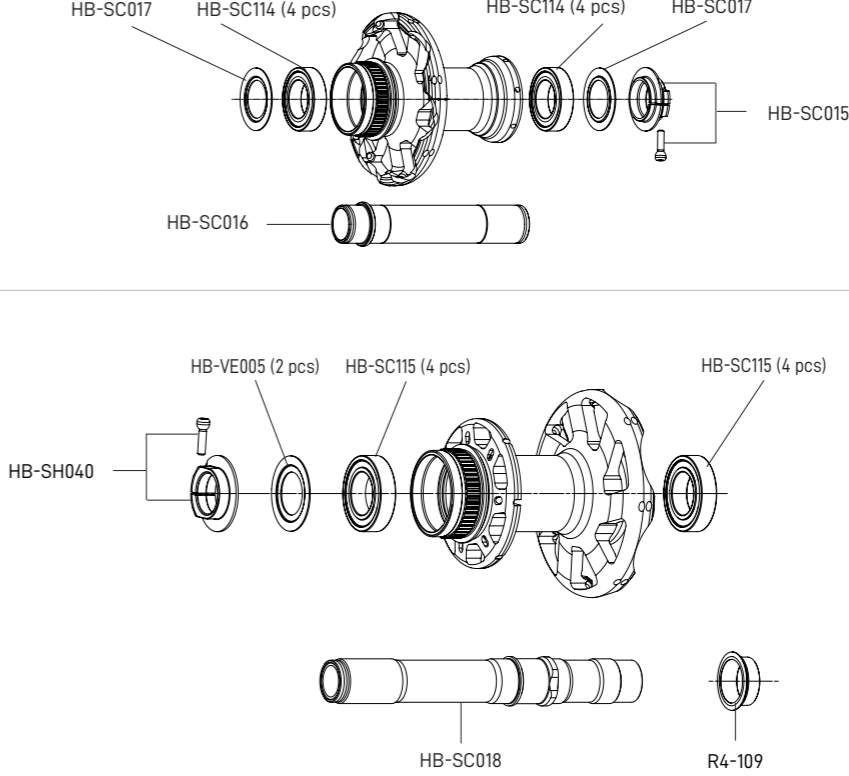
Complete FW body / Corpetti RL completi      FH-BUU015 (Campagnolo 9/12) - FH-B0015X1 (HG 9/12) - FH-BU020XDR (XDR)

See exploded view pag. 132

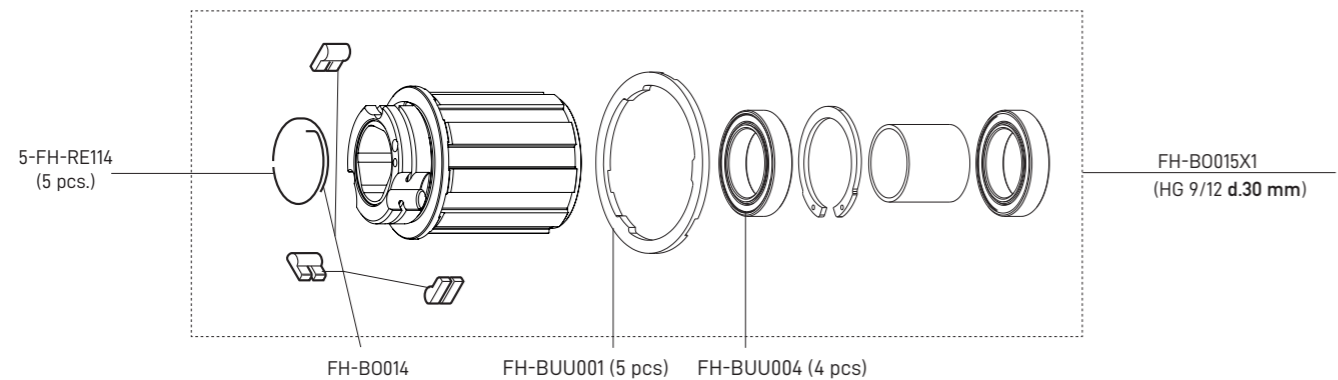
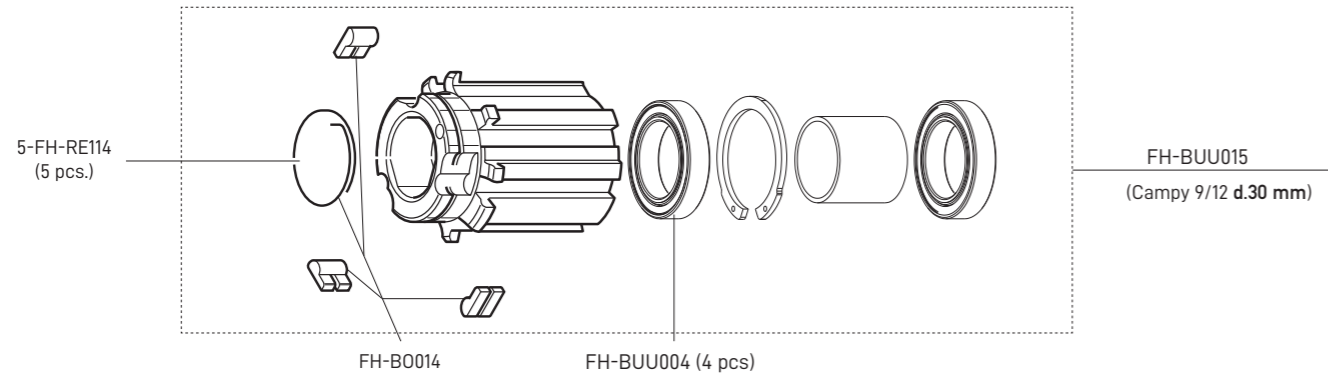
RIM		
	LABEL KIT	LAB-SCDB19 (for a pair of front+rear wheels)
	RIM TAPE	2-WH-RT13 (2 pcs)
	TUBELESS VALVE	VA-2WF44
	VALVE HOLE	6,5 mm
	DIAMETER	622 X 19C

SPOKES		
FRONT SPOKE	WH-016SCDB	4 spokes + 4 nipples
REAR RH SPOKE	WH-017SCDB	4 spokes + 4 nipples
REAR LH SPOKE	WH-018SCDB	4 spokes + 4 nipples

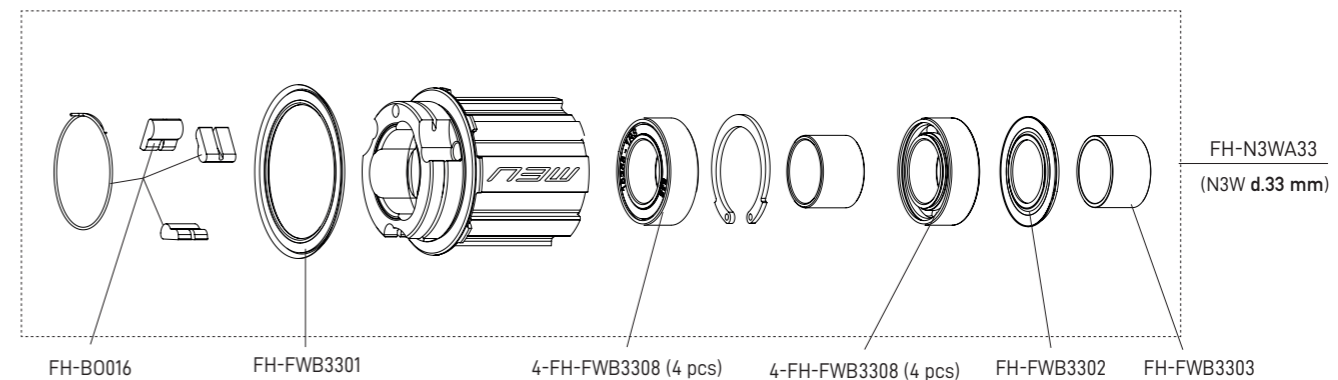
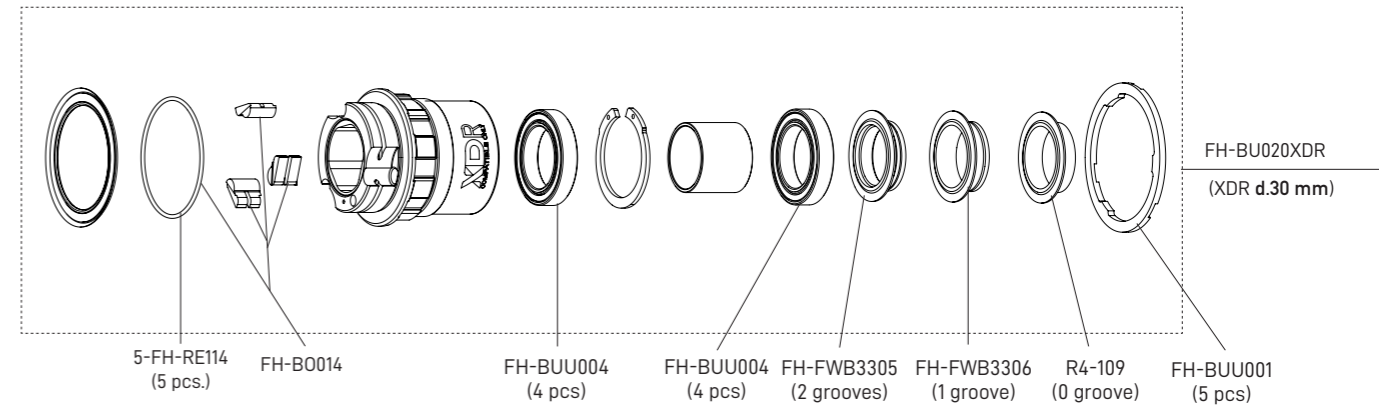
ACCESSORIES		
Spacer for HG11 FW body	FH-BUU001	5 pcs - to be used only with 9/10s sprockets (HG11 FW body package contains the spacer)
QUICK RELEASE	QR19-FRDB	Front + Rear 135 mm QR SKEWER FOR DB WHEELS

HUBS		
		
Complete FW body / Corpetti RL completi	FH-BUU015 (Campagnolo 9/12) - FH-B0015X1 (HG 9/12) - FH-BU020XDR (XDR)	See exploded view pag. 132

## FW BODIES

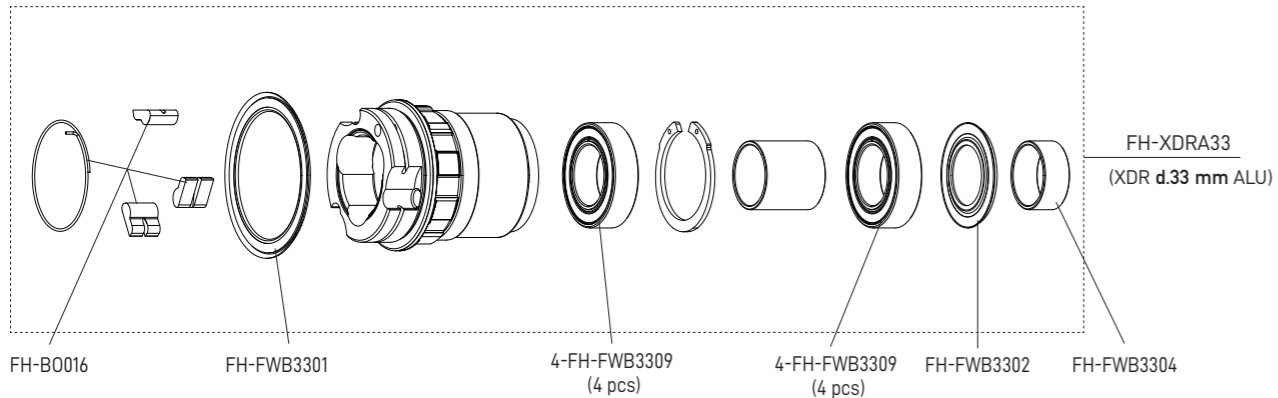


## FW BODIES

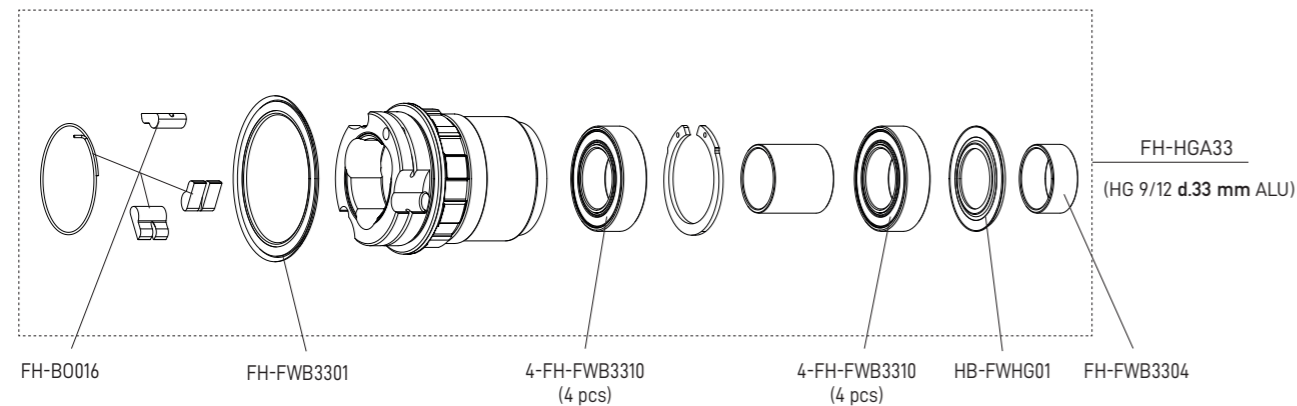




## FW BODIES

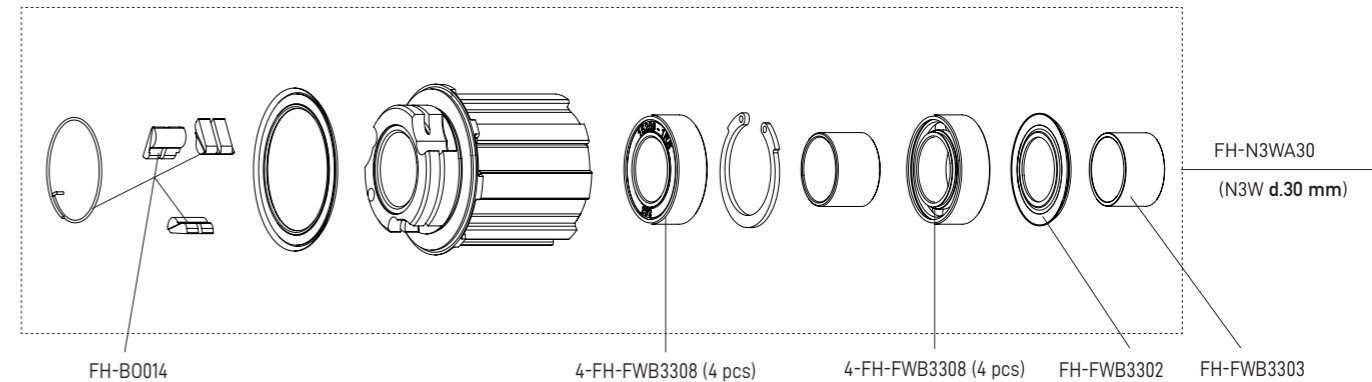


FH-B0016 FH-FWB3301 4-FH-FWB3309 (4 pcs) 4-FH-FWB3309 (4 pcs) FH-FWB3302 FH-FWB3304

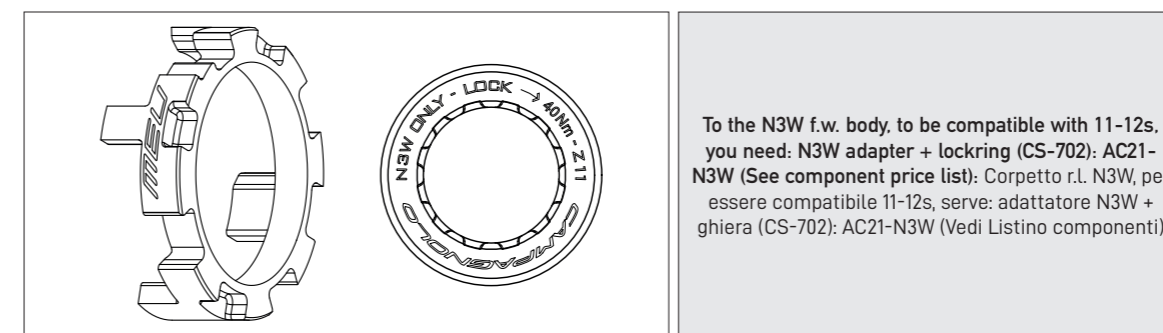


FH-B0016 FH-FWB3301 4-FH-FWB3310 (4 pcs) 4-FH-FWB3310 (4 pcs) HB-FWHG01 FH-FWB3304

## FW BODIES

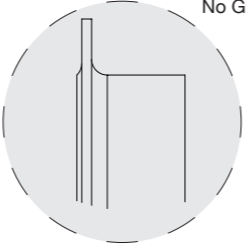
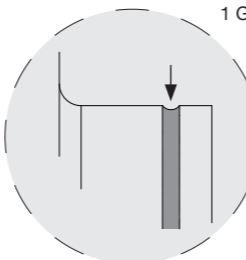
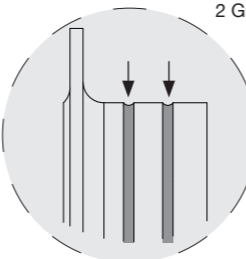


FH-B0014 4-FH-FWB3308 (4 pcs) 4-FH-FWB3308 (4 pcs) FH-FWB3302 FH-FWB3303



To the N3W f.w. body, to be compatible with 11-12s, you need: N3W adapter + lockring (CS-702): AC21-N3W (See component price list): Corpetto r.l. N3W, per essere compatibile 11-12s, serve: adattatore N3W + ghiera (CS-702): AC21-N3W (Vedi Listino componenti)

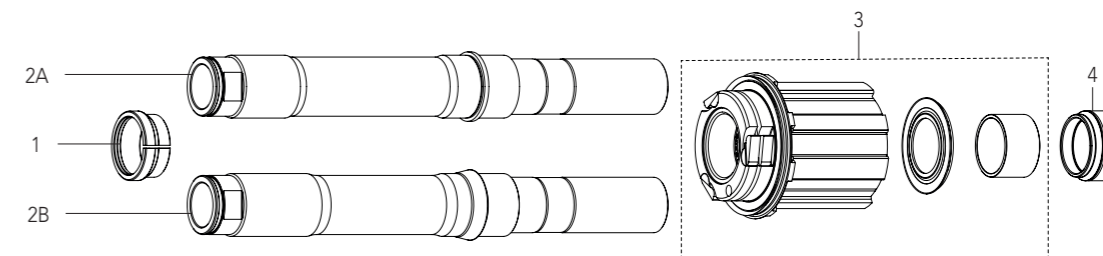
## SPACERS FOR D.30 mm SRAM ROAD XDR FH-BU020XDR FW BODY

RIM BRAKE WHEELS	DISC BRAKE WHEELS	SPACER CODE	GROOVES
Scirocco H35 Vento Asymmetric Khamsin Asymmetric	Bora WTO DB Bora H35/50 DB Shamal Ultra DB	<b>R4-109</b> (No Grooves - 7,4 mm)	 No Grooves
Bora WTO Bora One/Ultra 35/50 Hyperon Ultra Shamal Ultra Shamal Mille Eurus Zonda		<b>FH-FWB3306</b> (1 Groove - 8,2 mm)	 1 Groove
	Zonda DB Scirocco DB	<b>FH-FWB3305</b> (2 Grooves - 7,4 mm)	 2 Grooves

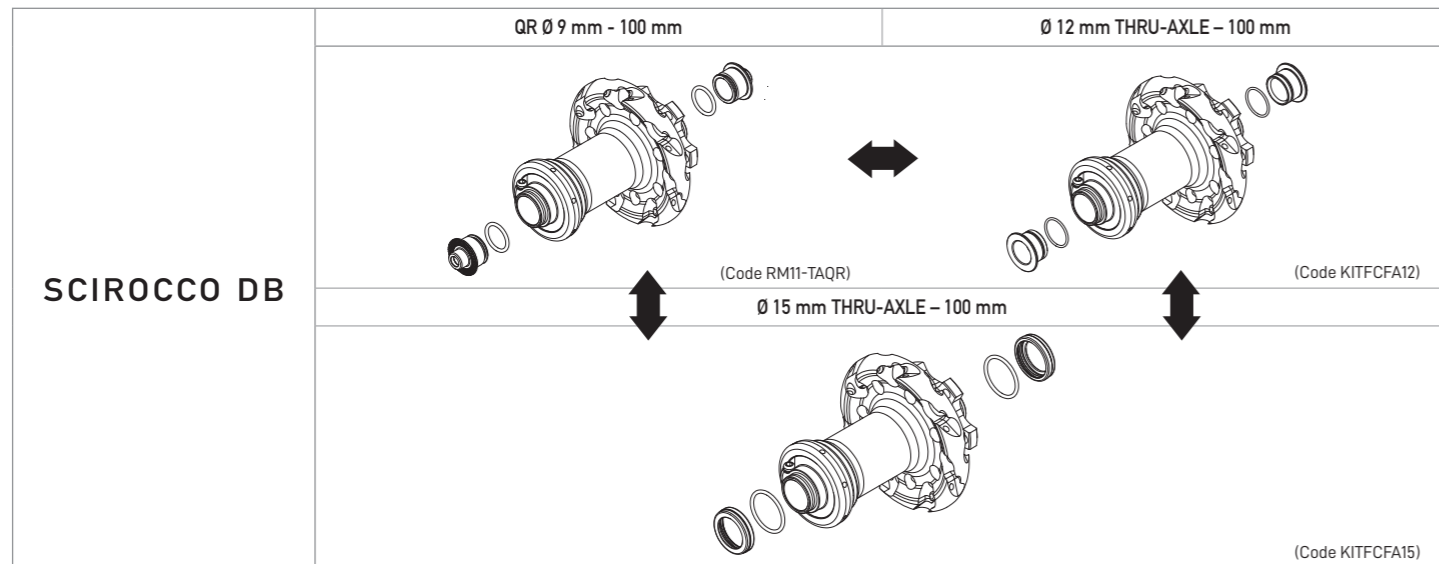
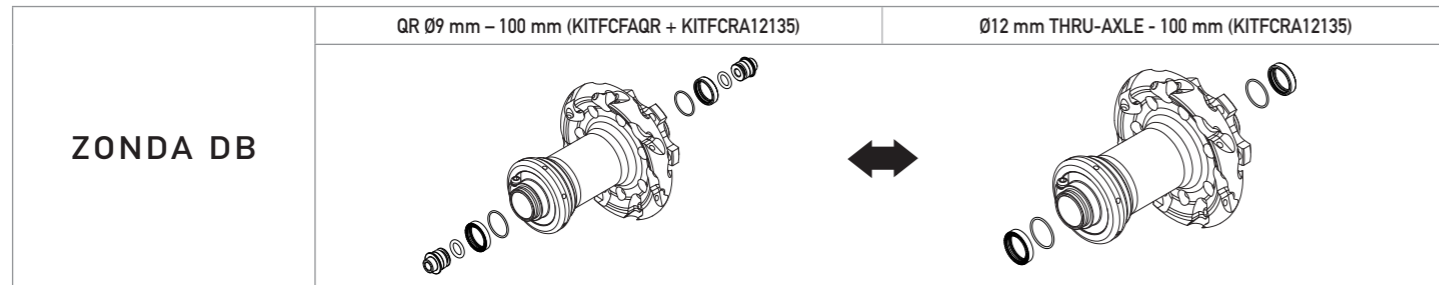
## N3W KIT RETROFIT

	RUOTE CONTINUATIVE DB HH12 GAMMA 2020		ONGOING DB HH12 WHEELS FROM 2020 RANGE
<b>RUOTE</b>	Scirocco DB (cuscinetti industriali)	<b>WHEEL MODELS</b>	Scirocco DB (industrial bearings)
	Zonda DB (coni-calotta)		Zonda DB (cup-and-cone)
	Shamal Ultra DB (coni-calotta)		Shamal Ultra DB (cup-and-cone)
	Famiglia Bora One DB (coni-calotta)		Family Bora One DB (cup-and-cone)
	Famiglia Bora WTO DB (coni-calotta)		Family Bora WTO DB (cup-and-cone)
<b>CREMAGLIERA</b>	<b>d. 30 mm</b>	<b>RACK</b>	<b>d. 30 mm</b>
<b>PER RENDERE COMPATIBILE LA RUOTA CON IL GRUPPO 13s</b>	Serve kit di trasformazione (corpetto N3W codice FH-N3WA30 incluso):	<b>TO MAKE THE WHEEL COMPATIBLE WITH 13s GROUPSET</b>	Transformation kit required (N3W body code FH-N3WA30 included):
	<ul style="list-style-type: none"> <li>Per cuscinetti industriali: <b>AC21-N3WRFCs</b> (Vedi listino componenti)</li> <li>Per coni-calotta: <b>AC21-N3WRFCc</b> (Vedi listino componenti)</li> </ul>		<ul style="list-style-type: none"> <li>For industrial bearings: <b>AC21-N3WRFCs</b> (See component price list)</li> <li>For cup-and-cone: <b>AC21-N3WRFCc</b> (See component price list)</li> </ul>

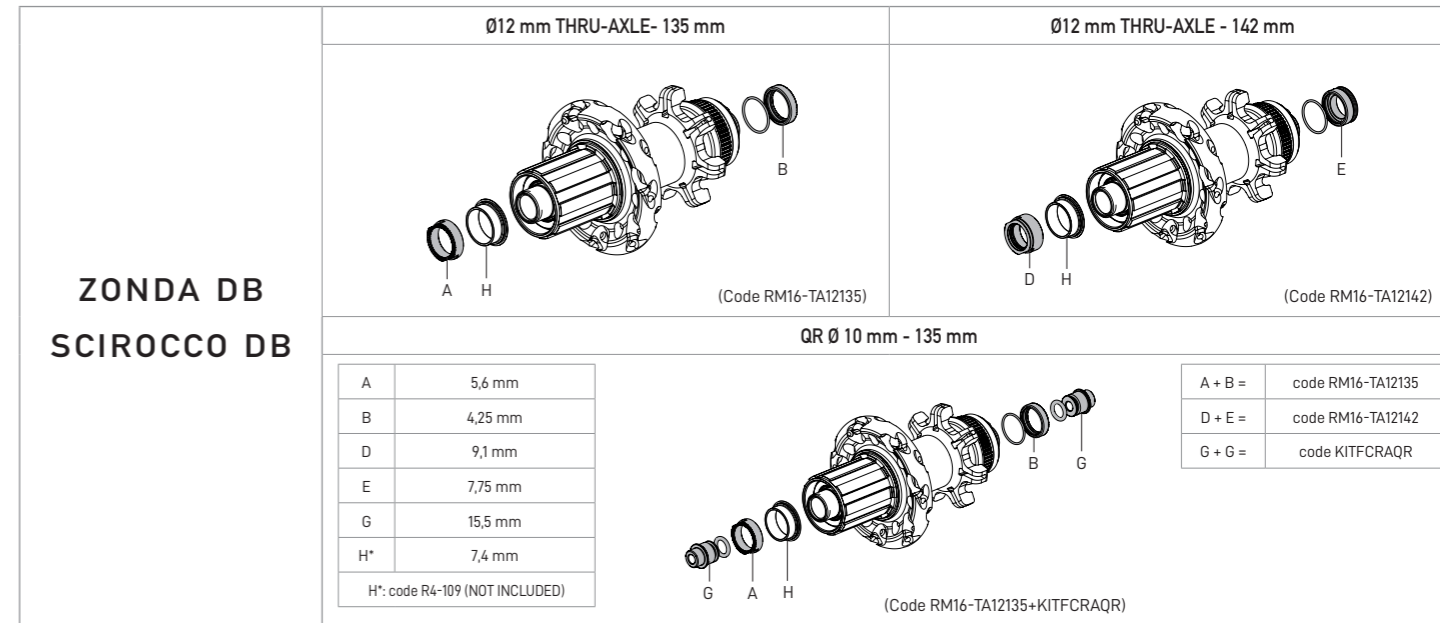
<b>AC21-N3WRFCs (1-2A-3-4)</b>	See component price list
<b>AC21-N3WRFCc (1-2B-3-4)</b>	See component price list



## DB WHEELS - ADAPTERS FOR FRONT AXLES



## DB WHEELS - ADAPTERS FOR REAR AXLES



## QUICK-RELEASES

RIM BRAKE WHEELS	
SCIROCCO™	QR12-ZOBFR
ZONDA™	QR12-ZOBFR
KHAMSIN™	QR12-ZOBFR
CALIMA™	QR12-ZOBFR
SHAMAL™ ULTRA™	QR13-80FR
SHAMAL™ MILLE	QR13-80FR
BORA™ ONE	QR12-BUUBFR
BORA™ ULTRA™	QR12-BUUBFR
BORA™ WTO	QR12-BUUBFR
BORA™ ULTRA™ TT	QR12-BUUBFR
DISC BRAKE WHEELS	
SCIROCCO™ DB	QR19-FRDB
ZONDA™ DB	QR19-FRDB
SHAMAL™ ULTRA™ DB	QR19-FRDB
SHAMAL™ CARBON DB	QR19-FRDB
BORA™ ONE DB	QR19-FRDB
BORA™ WTO DB	QR19-FRDB
DISC BRAKE WHEELS: QR + TRANSFORMATION KITS	
SCIROCCO™ DB - rear	QR17-ZOBRK (rear + kit HH=> QR)
ZONDA™ DB - front	QR17-ZOBRFK (front + kit HH=> QR)
ZONDA™ DB - rear	QR17-ZOBRK (rear + kit HH=> QR)

QR12-BUUBFR (front+rear)



QR12-ZOBFR (front+rear)  
QR17-ZOBRFK (front + kit HH=>QR)  
QR17-ZOBRK (rear + kit HH=>QR)



QR13-80FR (front+rear)



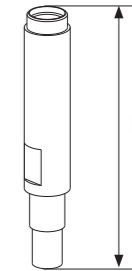
QR19-FRDB (front+rear)



## VALVE EXTENSIONS

Your wheels are supplied with valve extensions that correspond to depth of the rim as follows:

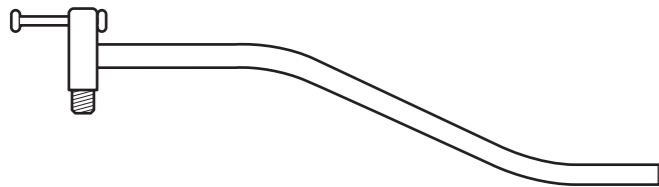
PROFILE RIM	MALE VALVE ADAPTER (SUPPLIED)	
<p>Verificate secondo la lunghezza della valvola (della camera d'aria o del tubolare) e l'altezza del profilo del cerchio, quale sia la prolunga adatta alle vostre esigenze.</p> <p>Check what extension you need according to the length of the valve (inner tube or tubular tyre) and height of the rim profile.</p>	UT-WH130M	L = 35 mm
	UT-WH140M	L = 65 mm
	UT-WH150M	L = 90 mm
	UT-HU150	L = 40 mm
	UT-WH160M	L = 74 mm



PROFILE RIM	FEMALE VALVE ADAPTER (OPTION)	
<p>Verificate secondo la lunghezza della valvola (della camera d'aria o del tubolare) e l'altezza del profilo del cerchio, quale sia la prolunga adatta alle vostre esigenze.</p> <p>Check what extension you need according to the length of the valve (inner tube or tubular tyre) and height of the rim profile.</p>	UT-WH130F	L = 37 mm
	UT-WH140F	L = 67 mm
	UT-WH150F	L = 92 mm
	UT-WH160F	L = 80 mm



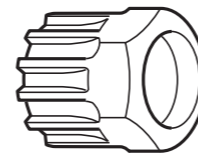
USE AIR CHAMBERS (INNER TUBES) WITH A LONG VALVE (AT LEAST 35 mm).



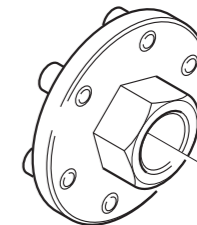
**UT-VS030**  
 Riscontro allineamento occhiello attacco cambio  
 Rear derailleur hanger alignment tool



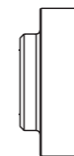
**UT-FD120**  
 Dima per corretto posizionamento deragliatore (2 pz - per Z50 e Z52)  
 Front derailleur alignment tool (2 pcs - for Z50 and Z52)



**UT-BB080 (1 pz.) - 10-UT-BB080 (10 pz.):**  
 Chiave per montaggio movimenti centrali CART e ghiera di chiusura pacchi pignoni  
 Cartridge bottom bracket and sprocket cassette- lock ring remover



**UT-BB100**  
 Utensile per movimenti a cartuccia Daytona/Centaur™, Veloce™ e Mirage™  
 Tool for Daytona/Centaur™, Veloce™ and Mirage™ cartridge bottom bracket

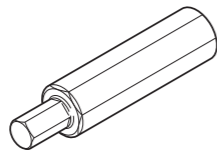


**UT-FC090**  
 Inserto per estrattore pedivella sinistra POWER TORQUE™  
 Insert for left POWER TORQUE™ crank extractor

## CRANKSET

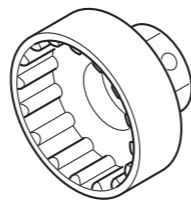
### UT-BB110

Utensile per vite fissaggio guarnitura ULTRA-TORQUE™  
Tool for ULTRA-TORQUE™ crankset fixing screw



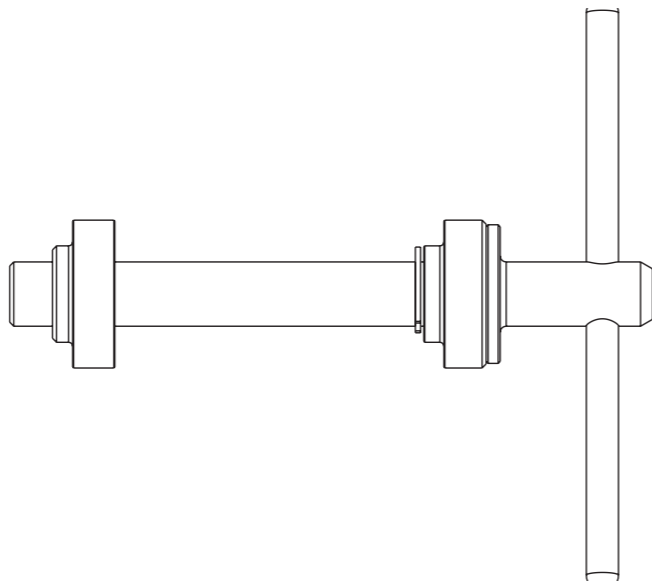
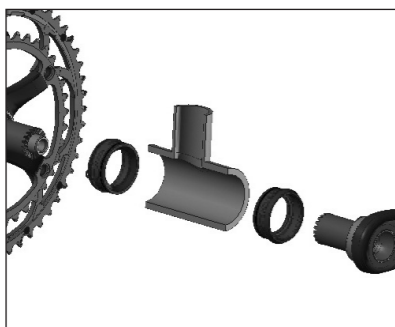
### UT-BB130

Chiave per calotte esterne guarnitura / ghiera AFS™  
Tool for crankset overboard cups / AFS™ locking

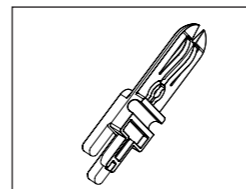


### UT-BB240

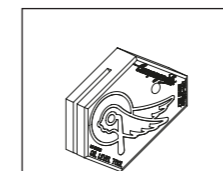
Utensile per piantaggio calotte integrate OS-Fit™  
Tool for OS-Fit™ crankset overboard cups



## DISC BRAKES



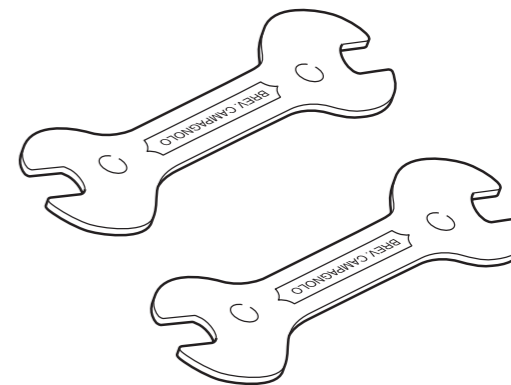
Attrezzo da trasporto /  
Transportation block  
**DB-001** (10 pcs)



Attrezzo livello olio /  
Oil level tool  
**UT-DB011**

## BRAKES

### RIM BRAKES



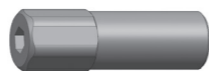
### UT-BR010

Coppia chiavi 13-14 per registrazione freni e coni mozzi  
Pair of 13-14 mm spanners for adjusting brakes and hub cones

## WHEELS

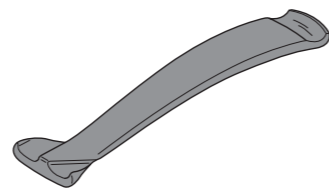
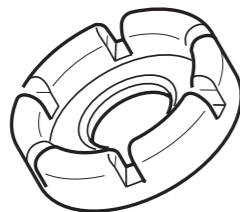


**UT-WHDB001**  
Chiave per perni esagonali  
Tool for hexagonal axle



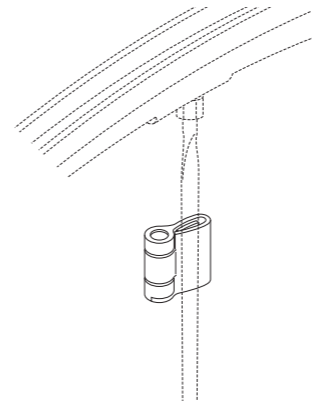
**UT-WHDB002**  
Inserto metallico per perni esagonali  
Metallic insert for hexagonal axle

**UT-HU050**  
Tiraraggi  
Spoke wrench

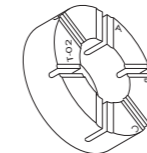


**WH-109HYC (6 pcs.)**  
Leva in composito per rimozione copertoncino  
Composite lever for removing clinchers

## WHEELS



**UT-WH080**  
Magnete velocità per raggi SHAMAL™ ULTRA™  
SPD magnet for SHAMAL™ ULTRA™ spokes



**UT-WH010**  
Anello anti-rotazione raggi  
Spoke antirotation ring



**UT-WH090**  
Chiave tiraraggi BORA ULTRA 80  
Spoke wrench BORA ULTRA 80



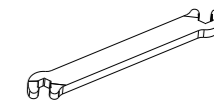
**UT-WH020**  
Inserto nipplo attira-magnete per SHAMAL™ ULTRA / SHAMAL™ MILLE  
Magnet-attracting nipple insert for SHAMAL™ ULTRA / SHAMAL™ MILLE

**UT-WH035**  
Inserto nipplo attira-magnete per ZONDA™ 2012  
Magnet-attracting nipple insert for ZONDA™ 2012

**UT-WH160**  
Inserto nipplo attira-magnete per BORA ULTRA / BORA ULTRA TWO / BORA ONE / BORA ONE DB / BORA WTO / BORA WTO DB  
Magnet-attracting nipple insert for BORA ULTRA / BORA ULTRA TWO / BORA ONE / BORA ONE DB / BORA WTO / BORA WTO DB

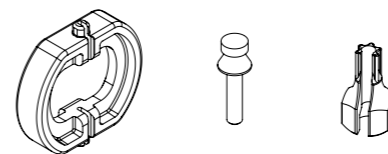
**UT-WH110**  
Inserto nipplo attira-magnete per SHAMAL™ ULTRA DB / SHAMAL™ MILLE  
Magnet-attracting nipple insert for SHAMAL™ ULTRA DB / SHAMAL™ MILLE

**UT-WH070**  
Chiave tiraraggi  
Spoke wrench



**UT-WH270**  
Chiave tiraraggi per SHAMAL MILLE MY2017 (Service Center Only)  
Spoke wrench for SHAMAL MILLE MY2017 (Service Center Only)

**UT-WH280**  
Chiave tiraraggi per BORA ONE / BORA ULTRA / BORA WTO / ZONDA (Nipplo sez. quadrata - Service Center Only)  
Spoke wrench for BORA ONE / BORA ULTRA / BORA WTO / ZONDA (Square section nipple - Service Center Only)



**UT-WH290**  
Attrezzi per raggio e nipplo BORA ULTRA WTO  
Tools for spoke/nipple BORA ULTRA WTO

## WHEELS

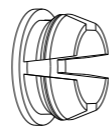


### UT-WH050

Magnete guida-nipplo  
Nipple guide magnet

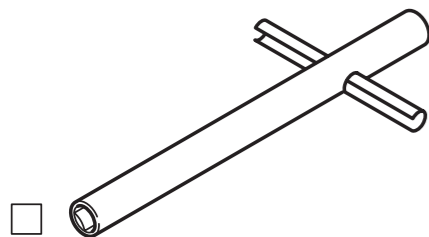
### 5-WH-SH002

Bussola riduzione sede valvola 2WF (5 pz)  
Valve hole bushing for 2WF (5 pcs)



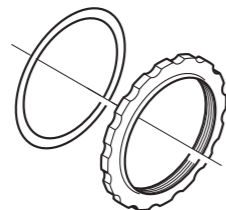
### WH-BUU002

Bussola riduzione sede valvola BORA ULTRA 80 (5 pz)  
Valve hole bushing for BORA ULTRA 80 (5 pcs)



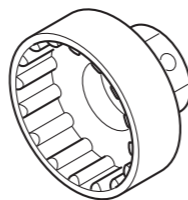
### UT-HU060

Chiave per raggi ruote Bora™ (fino a gamma '02)  
Bora™ wheel truing tool (till '02 range)



### 4-M1-101B (4 pcs.)

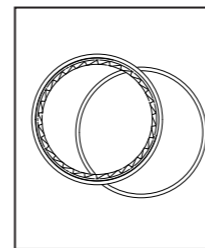
Ghiera AFS™  
AFS™ lockring



### UT-BB130

Chiave per calotte esterne guarnitura / ghiera AFS™  
Tool for crankset overboard cups / AFS™ lockring

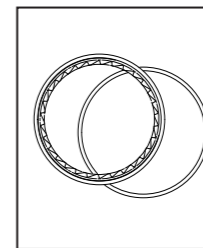
## WHEELS



### HB-B0031 (3 pcs)

Inserto a cremagliera - Road  
Hub ratchet ring tool - Road

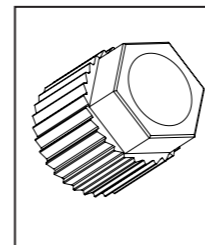
(SERVICE CENTER only)



### FH-FWB3307 (3 pcs)

Inserto a cremagliera - SHAMAL CARBON  
Hub ratchet ring tool - SHAMAL CARBON

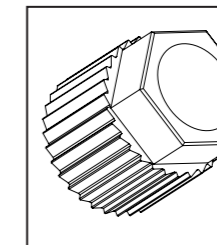
(SERVICE CENTER only)



### UT-HU140

Attrezzo per smontaggio cremagliera - Road  
Hub ratchet ring tool - Road

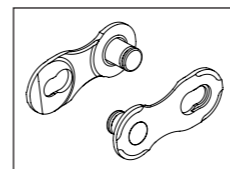
(SERVICE CENTER only)



### UT-HU141

Attrezzo per smontaggio cremagliera - SHAMAL CARBON  
Hub ratchet ring tool - SHAMAL CARBON

(SERVICE CENTER only)



### CN-SR701

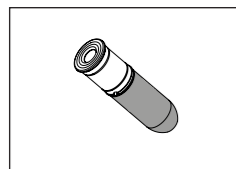
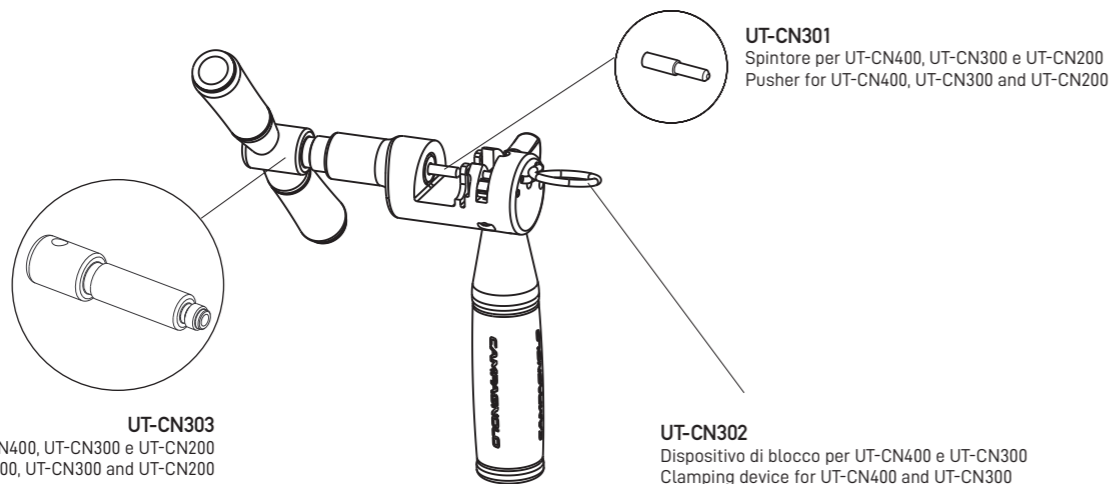
C-Link™ per catene 13s (1 pz)  
C-Link™ for 13s chains only (1 pcs)



## CHAIN

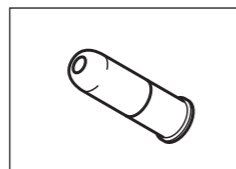
### UT-CN400

Utensile per **Ultra-Link™** (solo catene 12s / 13s)  
Tool for **Ultra-Link™** (12s / 13s chains only)



#### 5-CN-SR700

**Ultra-Link™** per catene 13s (5 pz)  
**Ultra-Link™** for 13s chains only (5 pcs)



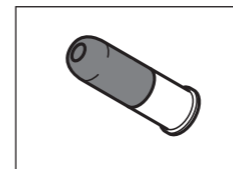
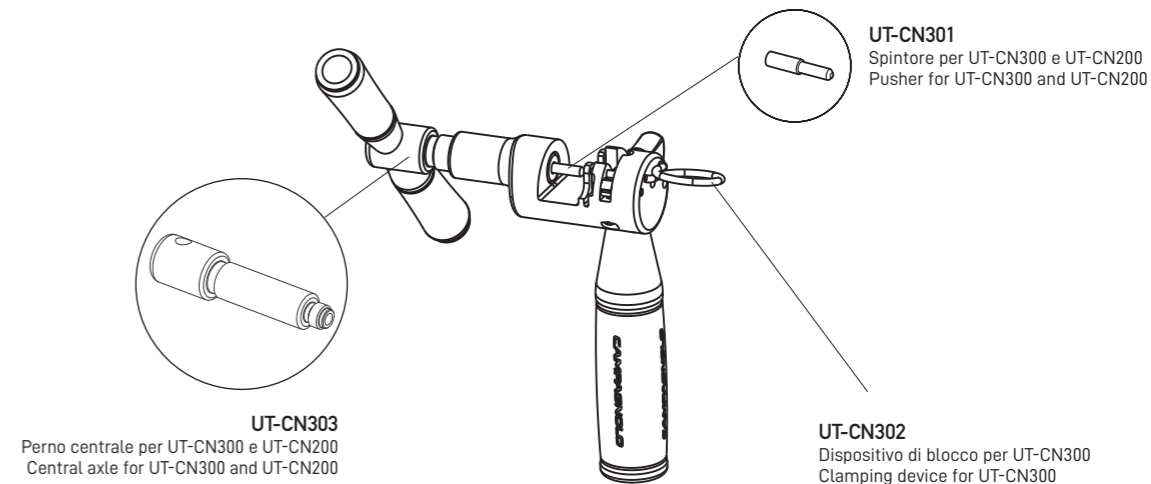
#### 5-CN-SR600

**Ultra-Link™** per catene 12s (5 pz)  
**Ultra-Link™** for 12s chains only (5 pcs)

## CHAIN

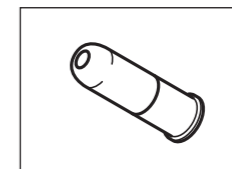
### UT-CN300

Utensile per **Ultra-Link™** (solo catene 11s / 12s)  
Tool for **Ultra-Link™** (11s / 12s chains only)



#### 5-CN-RE500

**Ultra-Link™** per catene 11s (5 pz)  
**Ultra-Link™** for 11s chains only (5 pcs)



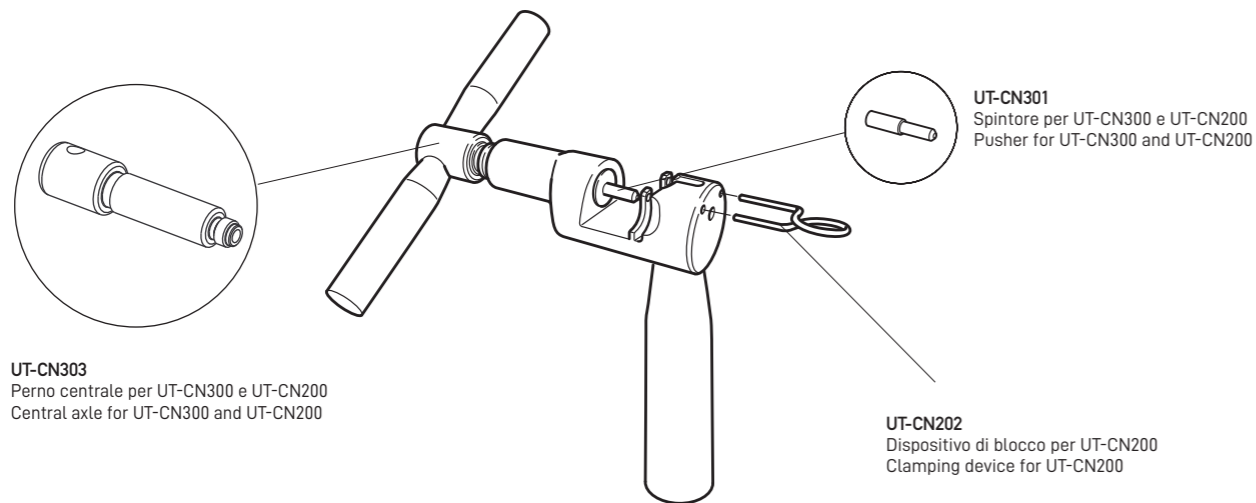
#### 5-CN-SR600

**Ultra-Link™** per catene 12s (5 pz)  
**Ultra-Link™** for 12s chains only (5 pcs)

## CHAIN

### CAMPY™ UT-CN200

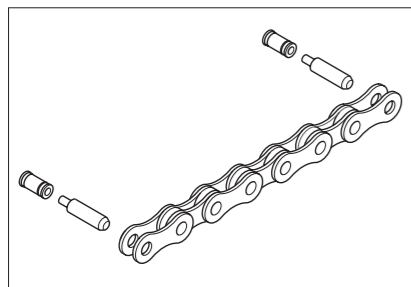
Utensile per **HD-Link™** (catene C10™ e C10™ Ultra Narrow™)  
Tool for **HD-Link™** (C10™ and C10™ Ultra Narrow™ chains)



**UT-CN303**  
Perno centrale per UT-CN300 e UT-CN200  
Central axle for UT-CN300 and UT-CN200

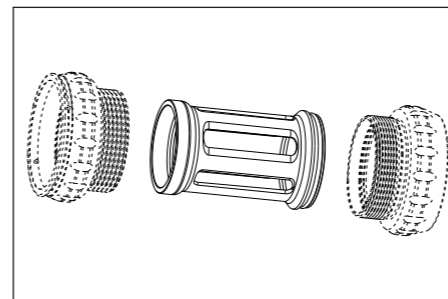
**UT-CN301**  
Spintore per UT-CN300 e UT-CN200  
Pusher for UT-CN300 and UT-CN200

**UT-CN202**  
Dispositivo di blocco per UT-CN200  
Clamping device for UT-CN200

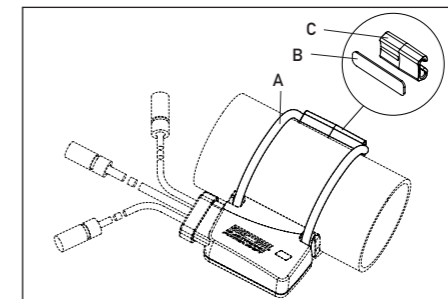


**CN-RE400**  
**HD-Link™ Ultra Narrow™** (5.9 mm) per catene C10™ Ultra Narrow™  
**HD-Link™ Ultra Narrow™** (5.9 mm) for C10™ Ultra Narrow™ chains

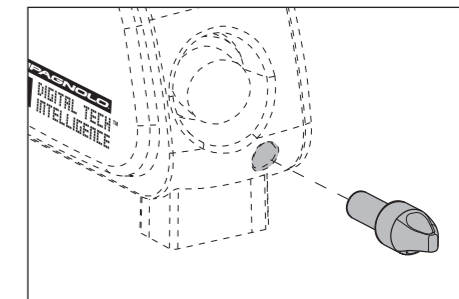
## EPS



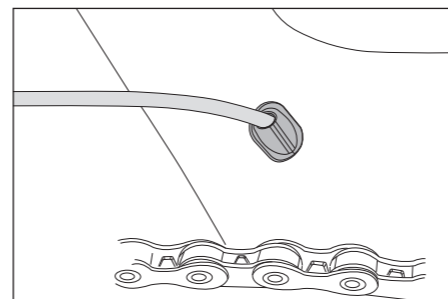
**EPS-001**  
Cilindro guida-cavi  
BB cable guide



**EPS-002**  
Accessori montaggio sistema di interfaccia (A+B+C)  
Kit for interface assembly (A+B+C)

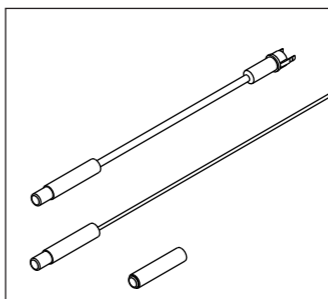


**EPS-003**  
Magnete spegnimento sistema di potenza (5 pz.)  
Switch-off magnet (5 pcs.)



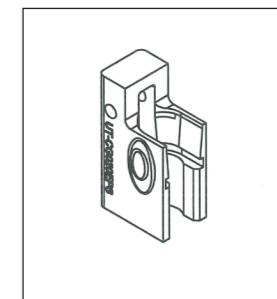
**CG-CS001EPS**  
Gommino passacavi (20 pz.)  
Grommet for cables (20 pcs.)

**CG-CS002EPS**  
Gommino passacavi per Power Unit (10 pz.)  
Grommet for Power Unit cables (20 pcs.)



**UT-CG010EPS**  
Kit magneti passacavi SR-RE  
Cable run magnet kit SR-RE

**UT-CG010ATEPS**  
Kit magneti passacavi AT  
Cable run magnet kit AT

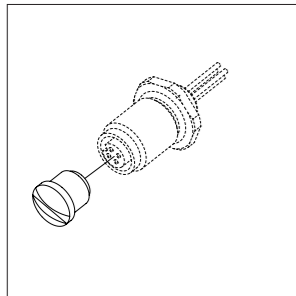


**UT-CG020EPS**  
Attrezzo apri-connettori SR-RE  
Connector disconnection tool SR-RE

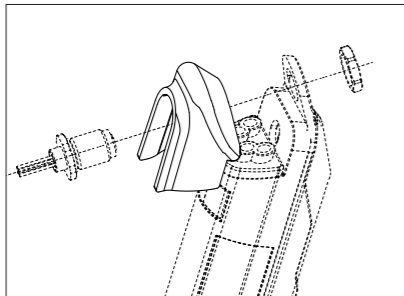


**UT-CG120ATEPS**  
Attrezzo apri-connettori AT  
Connector disconnection tool AT

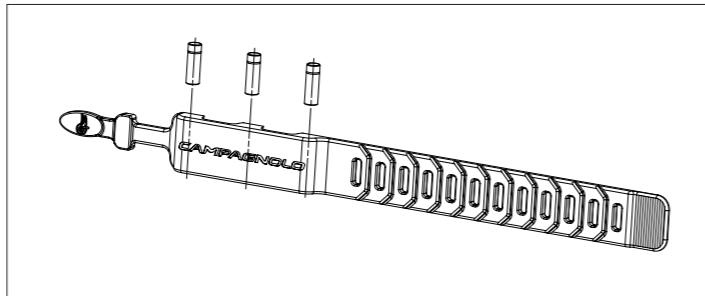
## EPS V2 POWER UNIT



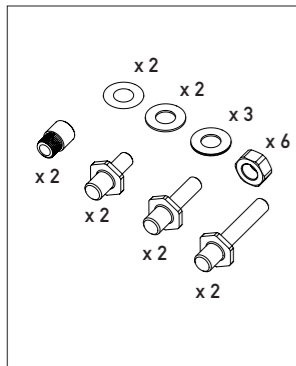
**EPS-004**  
Tappo connettore cariche batterie PU EPS V2 (5 pz) / PU EPS V2 connector cup (internal mount) (5 pcs)



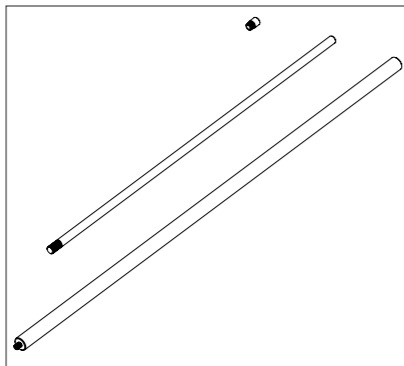
**EPS-005**  
Cappuccio per installazione est. PU EPS V2 (5pz) / PU EPS V2 external mount connector cap (5pcs)



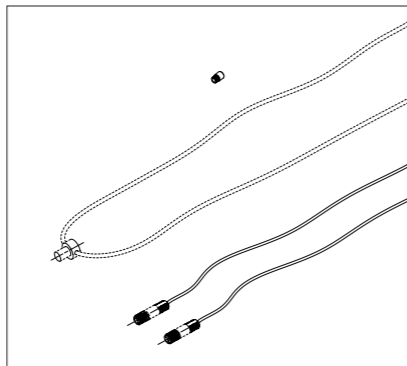
**EPS-006**  
Fascia spegnimento magnetica / Magnetic power block strap



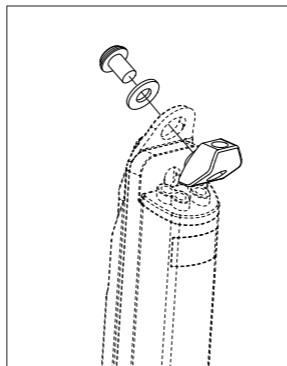
**EPS-107**  
Kit viti Power Unit EPS V2 / V3 / V4  
EPS V2 / V3 / V4 Power Unit screws kit



**UT-PU010**  
Kit installazione interna PU EPS V2 / V3 / V4  
EPS V2 / V3 / V4 PU internal installation tool

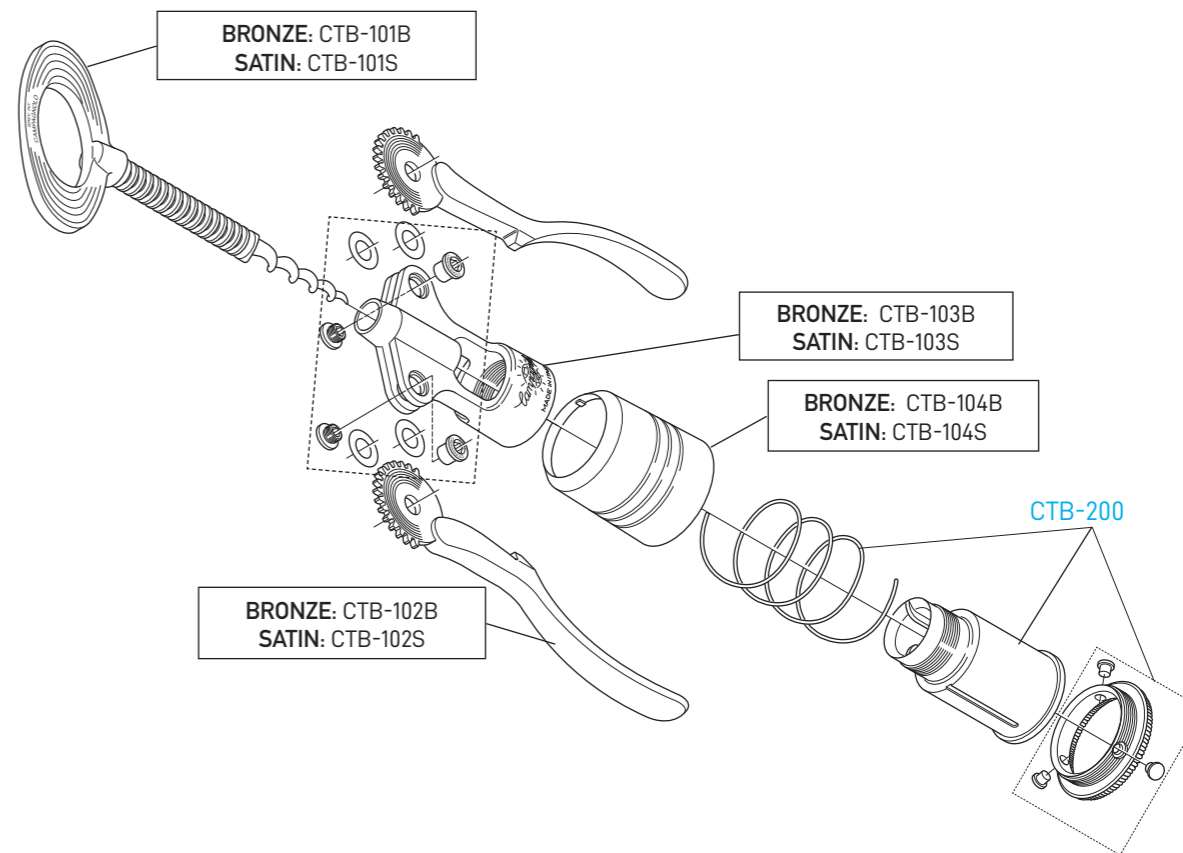


**UT-PU030**  
Kit installazione tubo obliquo  
PU EPS V2 / EPS V2 PU down-tube  
installation tool



**UT-PU020**  
Adattatore per installazione rovesciata  
PU EPS V2 / EPS V2 PU  
internal upside-down installation  
adapter

## BIG



**CAMPAGNOLO S.R.L.**

Via della Chimica, 4  
36100 Vicenza - ITALY  
Tel. +39-0444-225500  
Fax: +39-0444-225400  
E-mail: sales@campagnolo.com

**FRANCE**

CAMPAGNOLO FRANCE SAS  
ZA du Tissot - 42530 St GENEST - LERPT  
Tel. +33-477-556305  
Fax: +33-477-556345  
E-mail: campagnolo@campagnolo.fr

**GERMANY**

CAMPAGNOLO DEUTSCHLAND GMBH  
Alte Garten 62  
51371 LEVERKUSEN  
Tel. +49-214-206953-0  
Fax: +49-214-206953-15  
E-mail: campagnolo@campagnolo.de

**JAPAN**

CAMPAGNOLO JAPAN LTD  
65 Yoshida-cho, Naka-ku, YOKOHAMA  
231-0041  
Tel. +81-45-264-2780  
Fax: +81-45-241-8030  
E-mail: info@campagnolo.jp

**SPAIN**

CAMPAGNOLO IBERICA S.L.  
Avda. de Los Huetos 46. pab, 3-2ª fila  
01010 VITORIA  
Tel. +34-945-217195  
Fax: +34-945-217198  
E-mail: campagnolo@campagnolo.es

**TAIWAN**

PRIMATEK LTD  
No. 4, Gongyequ 10th Rd., Nantue Dist.,  
TAICHUNG CITY 408 - TAIWAN (R.O.C.)  
Tel. +886-4-23506831  
Fax: +886-4-23596764

**UNITED STATES**

CAMPAGNOLO NORTH AMERICA INC.  
5431 Avenida Encinas, Suite C -  
CARLSBAD CA 92008 - U.S.A.  
Tel. +1-760-9310106  
Fax: +1-760-9310991  
E-mail: info@campagnolona.com

**BENELUX**

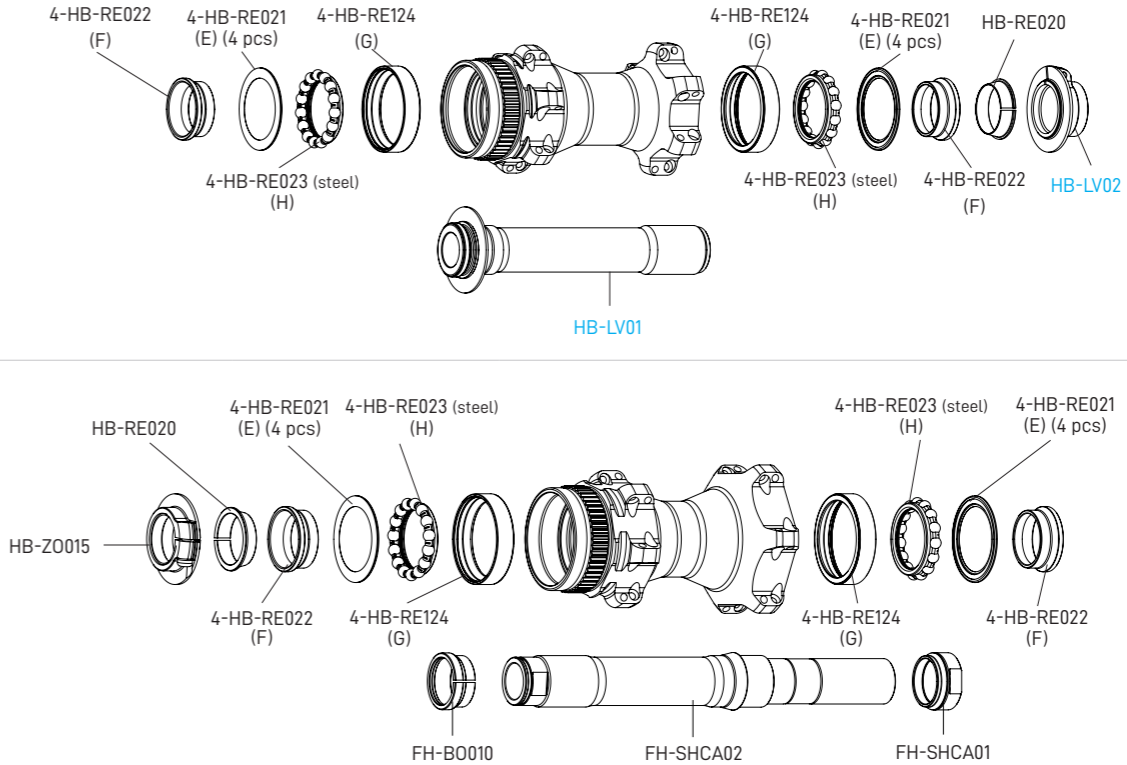
INTERNATIONAL  
CYCLE CONNECTION I.C.C.  
Communicatielaan 5A  
4538 BV TERNEUZEN  
NEDERLANDS  
Tel. + 31 (0)115 649321  
Fax: + 31 (0)115 649110  
E-mail: info@i-c-c.nl  
Web: www.i-c-c.nl

RIM		
	FRONT/REAR RIM	WH-03LV (lasered)
	2-WAY FIT™ VALVE L=44	VA-2WF44
VALVE HOLE	6,5 mm	
VALVE HOLE BUSHING	WH-BUU002 (5 pcs.)	
DIAMETER	700C(622 X 25C)	

SPOKES		
FRONT /REAR LH 292,5 mm	WH-01LV	4 spokes + 4 nipples
REAR RH 291 mm	WH-02LV	4 spokes + 4 nipples
NIPPLES	WH-04LV	10 pieces
NIPPLE INSERT	UT-WH160	magnet-attractor for nipple
NIPPLE MAGNET	UT-WH050	nipple-guide
NIPPLE SPANNER	UT-WH280	(tools for Service Centers)
NIPPLE SPANNER	UT-WH090	(tools for Shop)
TOOL TO LOCK THE SPOKES	T-25	

ACCESSORIES		
Spacer for HG11 FW body	FH-BUU001	5 pcs - to be used only with 9/10s sprockets (HG11 FW body package contains the spacer)
AFS™ lockring	4-M1-101B	to fix the rotor

### HUBS



**HB-RE100 HUB KIT**

- 2 x E
- 2 x F
- 2 x G
- 2 x H

**HB-RE100 HUB KIT**

- 2 x E
- 2 x F
- 2 x G
- 2 x H

Complete FW body Ø 33 mm/ Corpetti RL completi Ø 33 mm FH-HGA33 (HG 9/12) - FH-N3WA33 (Campagnolo N3W) - FH-XDRA33 (XDR)

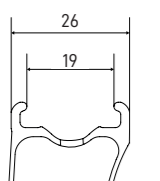

RIM		
	VALVE HOLE	6,5 mm
	VALVE EXTENSION	UT-WH140M (male extension)
	2-WAY FIT™ VALVE	VA-2WF44
	VALVE HOLE BUSHING	WH-BUU002 (5 pcs.)
	DIAMETER	700C (622 x 21C)

SPOKES		
FRONT RIGHT	<a href="#">WH-01BWU80</a>	4 spokes + 4 nipples
FRONT LEFT/REAR RIGHT	<a href="#">WH-02BWU80</a>	4 spokes + 4 nipples
REAR LEFT	<a href="#">WH-03BWU80</a>	4 spokes + 4 nipples + 4 washers
NIPPLES	WH-05BWU45	10 pieces
NIPPLE INSERT + SPANNER	UT-WH290	magnet-attractor for nipple + wrench
NIPPLE MAGNET	UT-WH050	nipple-guide

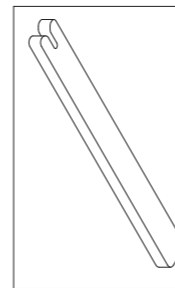
ACCESSORIES		
Spacer for HG11 FW body	FH-BUU001	5 pcs - to be used only with 9/10s sprockets (HG11 FW body package contains the spacer)
AFS™ locking	4-M1-101B	to fix the rotor

HUBS	
	<div style="border: 1px solid black; padding: 5px; width: fit-content;"> <p><b>HB-HY100 CULT™ KIT</b></p> <p>2 x E, 2 x F, 2 x G, 2 x H</p> </div>
	<div style="border: 1px solid black; padding: 5px; width: fit-content;"> <p><b>HB-HY100 CULT™ KIT</b></p> <p>2 x E, 2 x F, 2 x G, 2 x H</p> </div>

Complete FW body Ø 33 mm/ Corpetti RL completi Ø 33 mm    FH-HGA33 (HG 9/12) - FH-N3WA33 (Campagnolo N3W) - FH-XDRA33 (XDR)

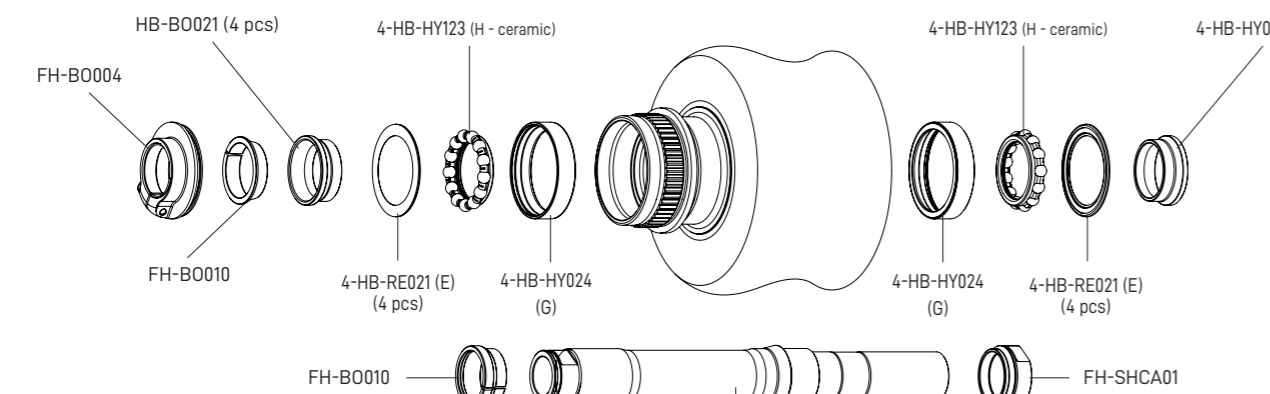
RIM		
	VALVE HOLE STICKERS	WH-100BOTT (5 pcs)
	VALVE HOLE BUSHINGS	WH-BUU002 (5 pcs.) 
	2-WAY FIT™ VALVE	VA-2WF55
	DIAMETER	700C (622 x 19C)

**HB-HY100 CULT™ KIT**  
2 x E, 2 x F,  
2 x G, 2 x H



**T-25 LEVANTE**  
Chiave anti-rotazione raggi  
Spoke antirotation tool

### HUB



**HB-B0021 (4 pcs)**    **4-HB-HY123 (H - ceramic)**    **4-HB-HY123 (H - ceramic)**    **4-HB-HY022 (F)**  
**FH-B0004**    **FH-B0010**    **4-HB-RE021 (E) (4 pcs)**    **4-HB-HY024 (G)**    **4-HB-HY024 (G)**    **4-HB-RE021 (E) (4 pcs)**  
**FH-B0010**    **FH-SHCA02**    **FH-SHCA01**

Complete FW body Ø 33 mm/ Corpetti RL completi Ø 33 mm    [FH-HGA33 \(HG 9/11\)](#) - [FH-N3WA33 \(Campagnolo N3W\)](#) - [FH-XDRA33 \(XDR\)](#)

To the N3W f.w. body, to be compatible with 11-12s, you need: N3W adapter + locking (CS-702): AC21-N3W (See component price list); Corpetto r.l. N3W, per essere compatibile 11-12s, serve: adattatore N3W + ghiera (CS-702): AC21-N3W (Vedi Listino componenti)

For Z12 first sprocket locking CS-703 is necessary / Per primo pignone Z12 serve ghiera CS-703