



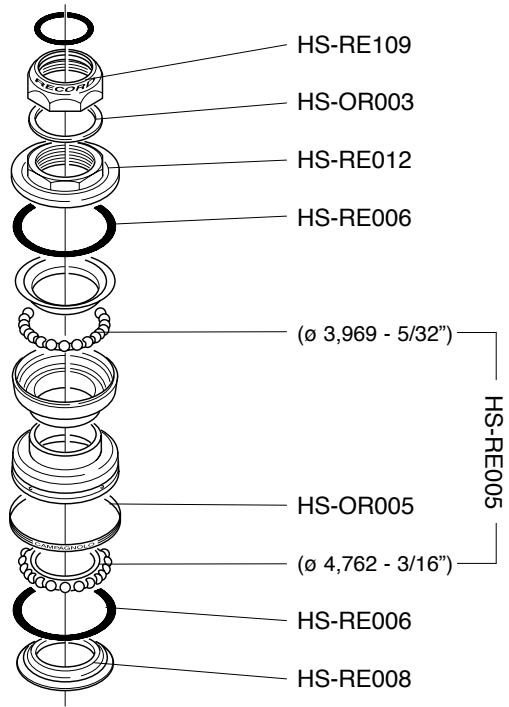
20

*Campagnolo*  
PURE PERFORMANCE



Spare Parts and Tools Catalogue

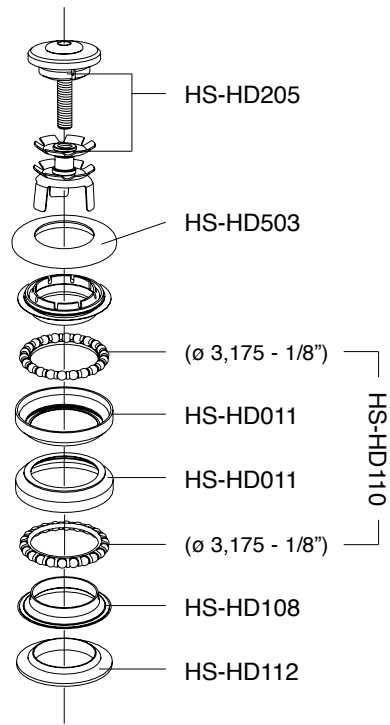
**RECORD™**  
**HS7-RE**



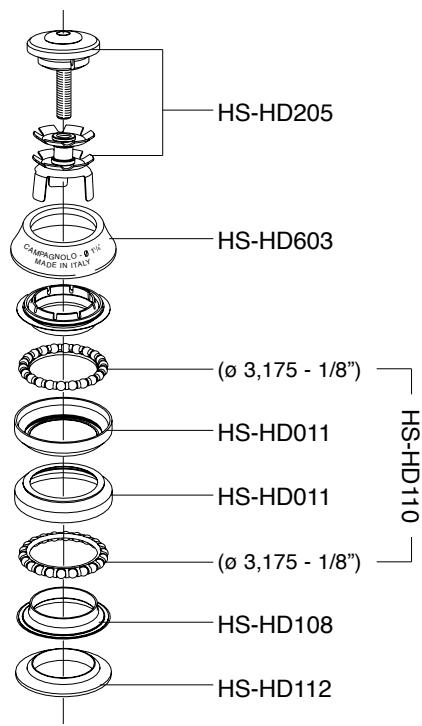
**HEADSET**

# HEADSET

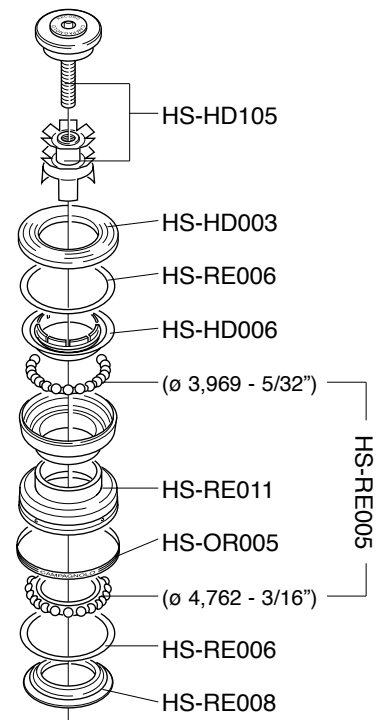
**RECORD™**  
**Hiddenset™**  
 1 1/8": HS03-REHIOS



**RECORD™**  
**Hiddenset™ TTC™**  
 1 1/8": HS03-REHIOST



**RECORD™ Threadless™**  
 1": HS00-RETH

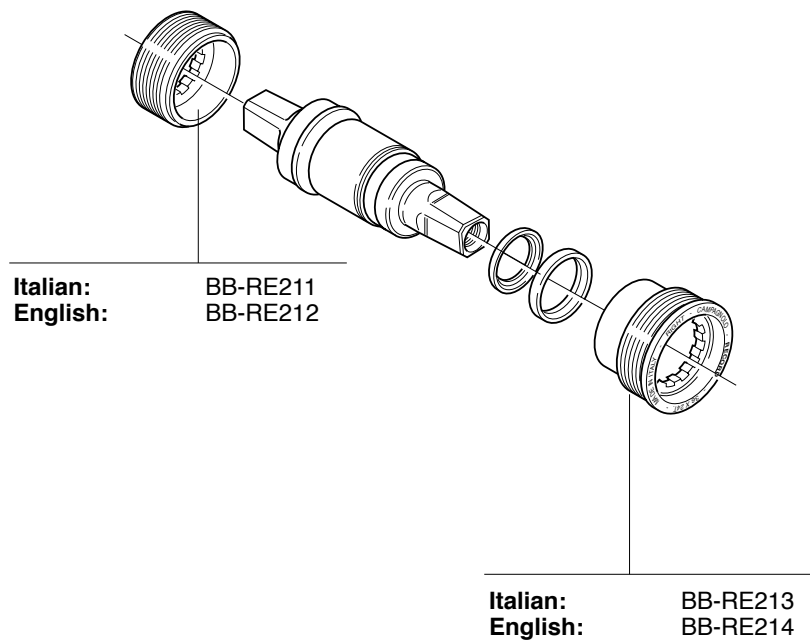


**RECORD™ PISTA™**

**111 mm**

**BB01-REPIIT**

**BB01-REPIBC**





## **SUPER RECORD™** **ULTRA-TORQUE™ Carbon 11s** **FC11-SR...C**

**FC-SR200**  
**KIT VITI / SCREWS&NUTS**  
4 AA + 1 AB + 1 AC

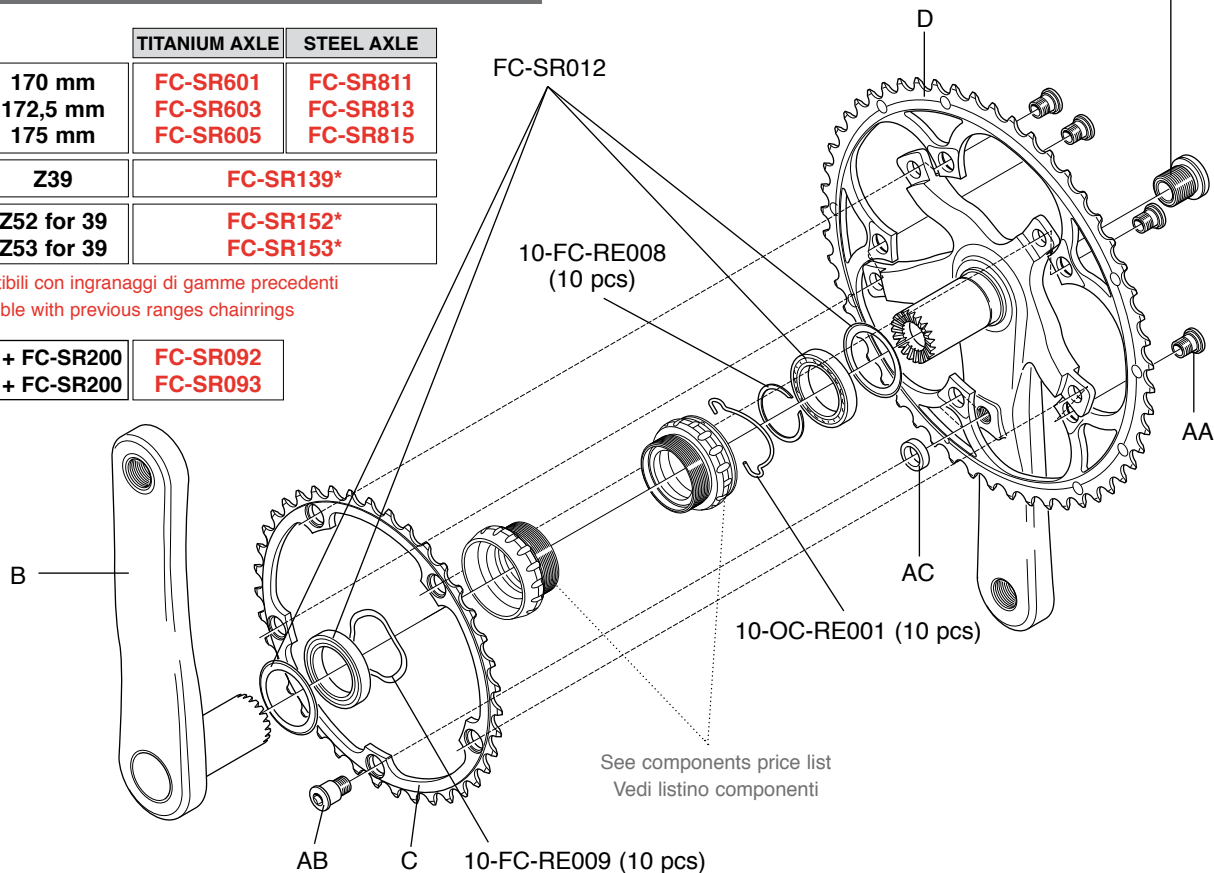
**FC-SR007**  
**(ONLY for Titanium version)**  
**FC-RE007**  
**(ONLY for steel version)**

		TITANIUM AXLE	STEEL AXLE
<b>B</b>	170 mm	<b>FC-SR601</b>	<b>FC-SR811</b>
	172,5 mm	<b>FC-SR603</b>	<b>FC-SR813</b>
	175 mm	<b>FC-SR605</b>	<b>FC-SR815</b>
<b>C</b>	<b>Z39</b>	<b>FC-SR139*</b>	
<b>D</b>	<b>Z52 for 39</b>	<b>FC-SR152*</b>	
	<b>Z53 for 39</b>	<b>FC-SR153*</b>	

\* non compatibili con ingranaggi di gamme precedenti

\* not compatible with previous ranges chainrings

<b>Z39 + Z52 + FC-SR200</b>	<b>FC-SR092</b>
<b>Z39 + Z53 + FC-SR200</b>	<b>FC-SR093</b>



**SUPER RECORD™**  
**ULTRA-TORQUE™ CT™ Carbon 11s**  
**FC11-SR...C**

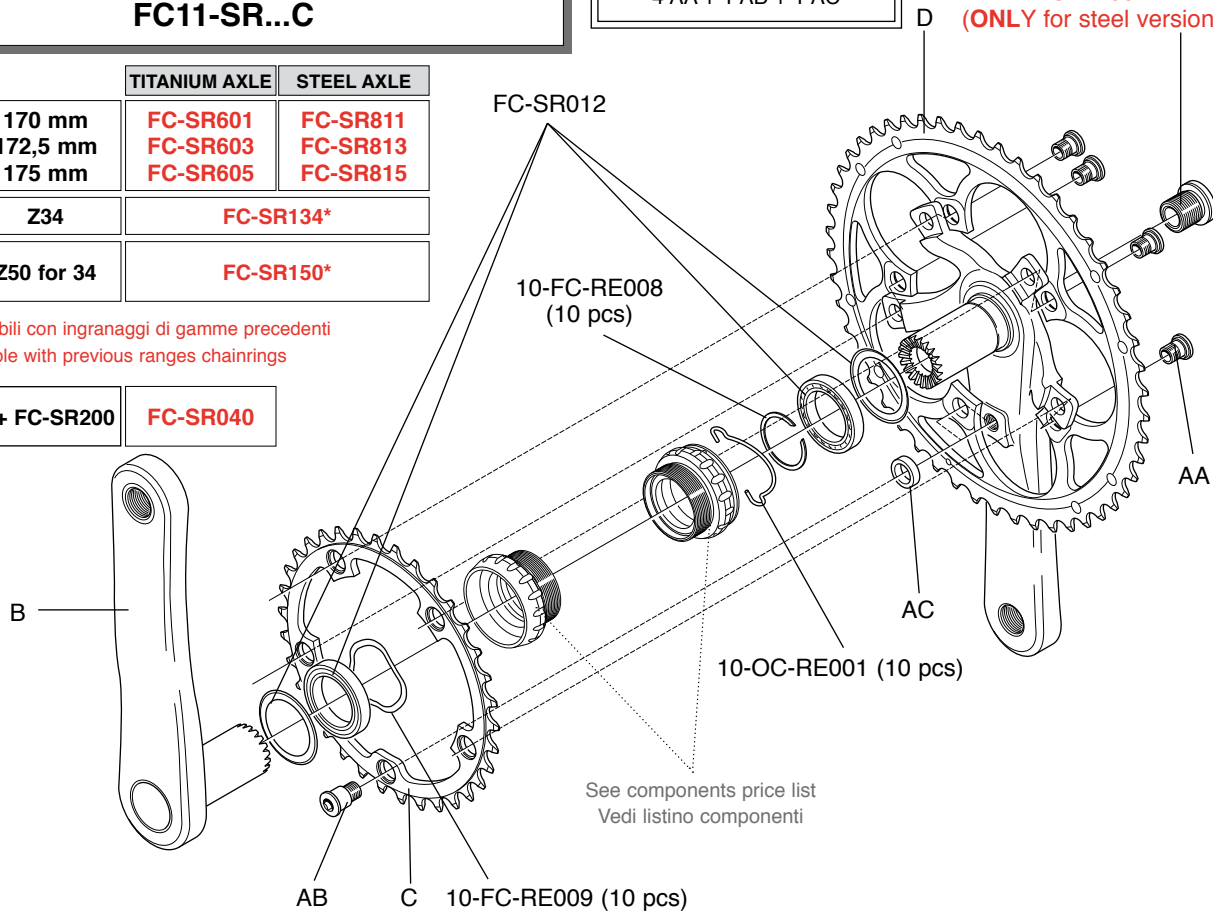
**FC-SR200**  
**KIT VITI / SCREWS&NUTS**  
 4 AA + 1 AB + 1 AC

**FC-SR007**  
**(ONLY for Titanium version)**  
**FC-RE007**  
**(ONLY for steel version)**

		TITANIUM AXLE	STEEL AXLE
<b>B</b>	170 mm	<b>FC-SR601</b>	<b>FC-SR811</b>
	172,5 mm	<b>FC-SR603</b>	<b>FC-SR813</b>
	175 mm	<b>FC-SR605</b>	<b>FC-SR815</b>
<b>C</b>	Z34	<b>FC-SR134*</b>	
<b>D</b>	Z50 for 34	<b>FC-SR150*</b>	

\* non compatibili con ingranaggi di gamme precedenti  
 \* not compatible with previous ranges chainrings

**Z34 + Z50 + FC-SR200**      **FC-SR040**



See components price list  
 Vedi listino componenti

## RECORD™ ULTRA-TORQUE™

### Carbon 11s FC11-RE...C

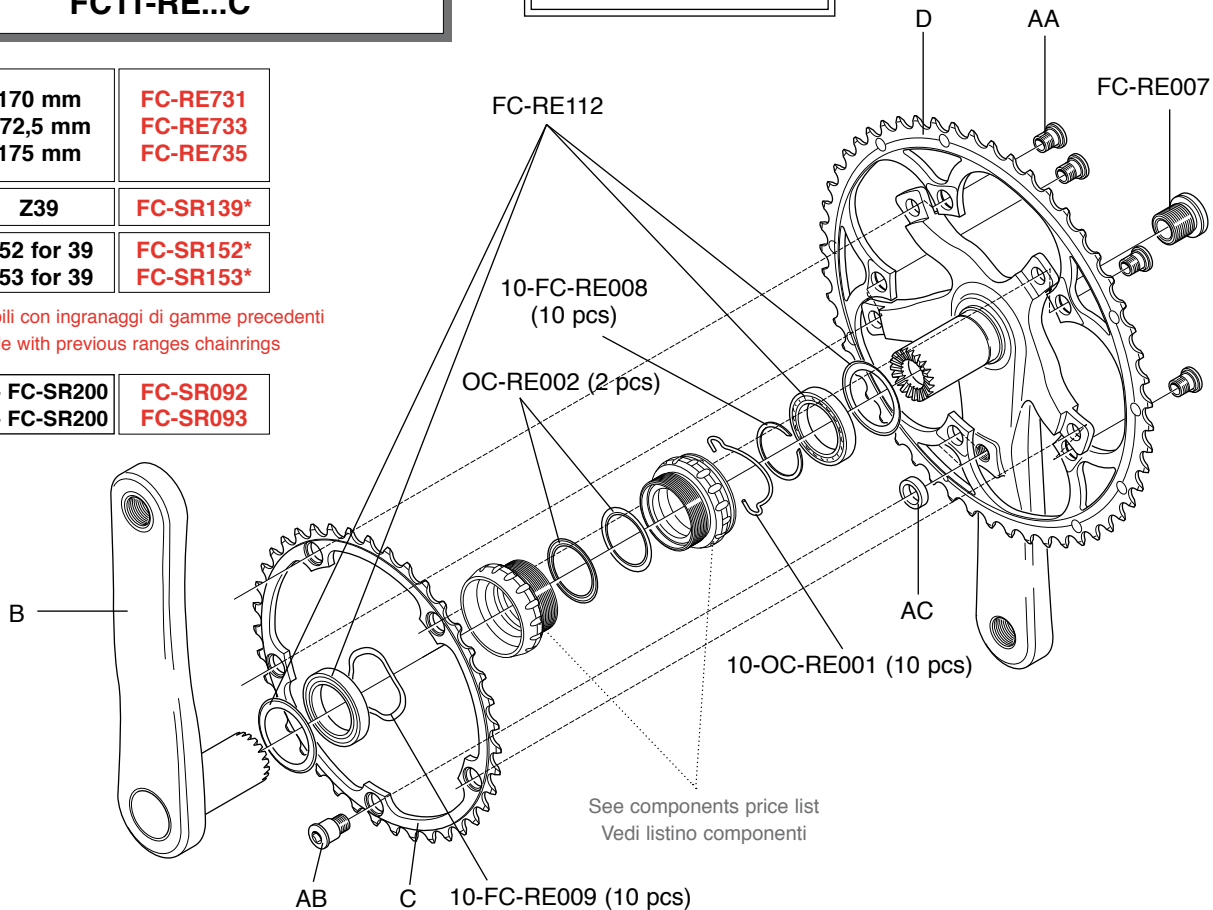
#### FC-SR200 KIT VITI / SCREWS&NUTS

4 AA + 1 AB + 1 AC

B	170 mm	<b>FC-RE731</b>
	172,5 mm	<b>FC-RE733</b>
	175 mm	<b>FC-RE735</b>
C	Z39	<b>FC-SR139*</b>
D	Z52 for 39	<b>FC-SR152*</b>
	Z53 for 39	<b>FC-SR153*</b>

\* non compatibili con ingranaggi di gamme precedenti  
\* not compatible with previous ranges chainrings

Z39 + Z52 + FC-SR200	<b>FC-SR092</b>
Z39 + Z53 + FC-SR200	<b>FC-SR093</b>



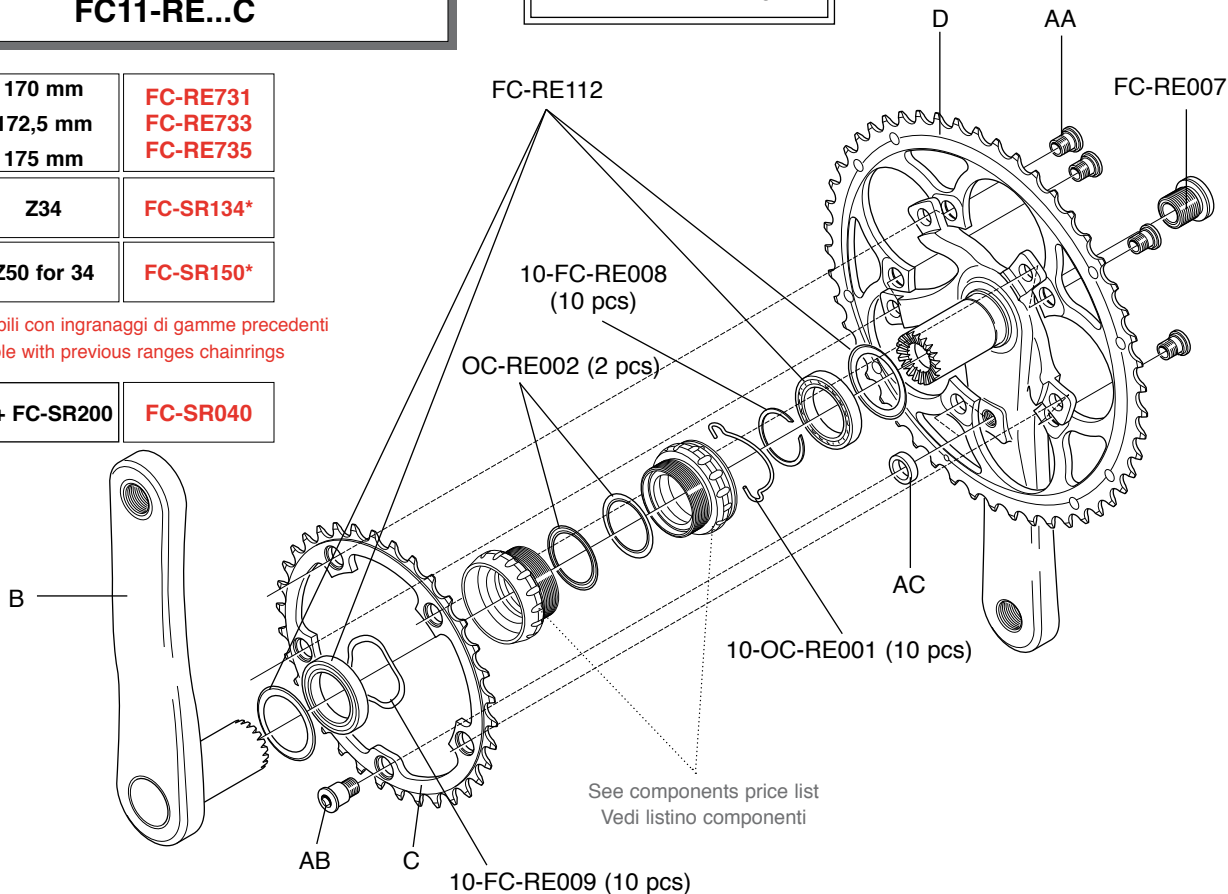
**RECORD™ ULTRA-TORQUE™**  
**CT™ Carbon 11s**  
**FC11-RE...C**

**FC-SR200**  
**KIT VITI / SCREWS&NUTS**  
 4 AA + 4 AB + 1 AC

<b>B</b>	170 mm	<b>FC-RE731</b>
	172,5 mm	<b>FC-RE733</b>
	175 mm	<b>FC-RE735</b>
<b>C</b>	Z34	<b>FC-SR134*</b>
<b>D</b>	Z50 for 34	<b>FC-SR150*</b>

\* non compatibili con ingranaggi di gamme precedenti  
 \* not compatible with previous ranges chainrings

Z34 + Z50 + FC-SR200	<b>FC-SR040</b>
----------------------	-----------------



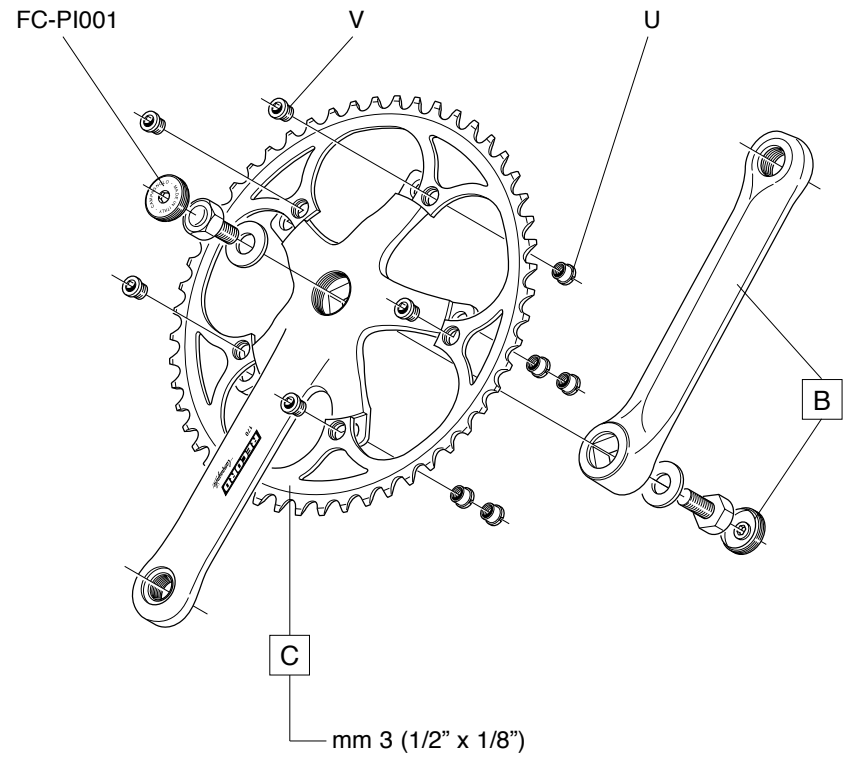
**CRANKSET**

**RECORD™**  
**PISTA™**  
FC01-REPL...

**FC-PI100**  
**KIT VITI / SCREWS&NUTS**  
5 U + 5 V

<b>B</b>	165 mm	FC-PI465
	170 mm	FC-PI470

<b>C</b>	Z47	FC-PI047
	Z48	FC-PI048
	Z49	FC-PI049
	Z50	FC-PI050
	Z51	FC-PI051
	Z52	FC-PI052



# CHORUS™ ULTRA-TORQUE™

## Carbon 11s FC11-CH...C

### FC-SR200 KIT VITI / SCREWS&NUTS

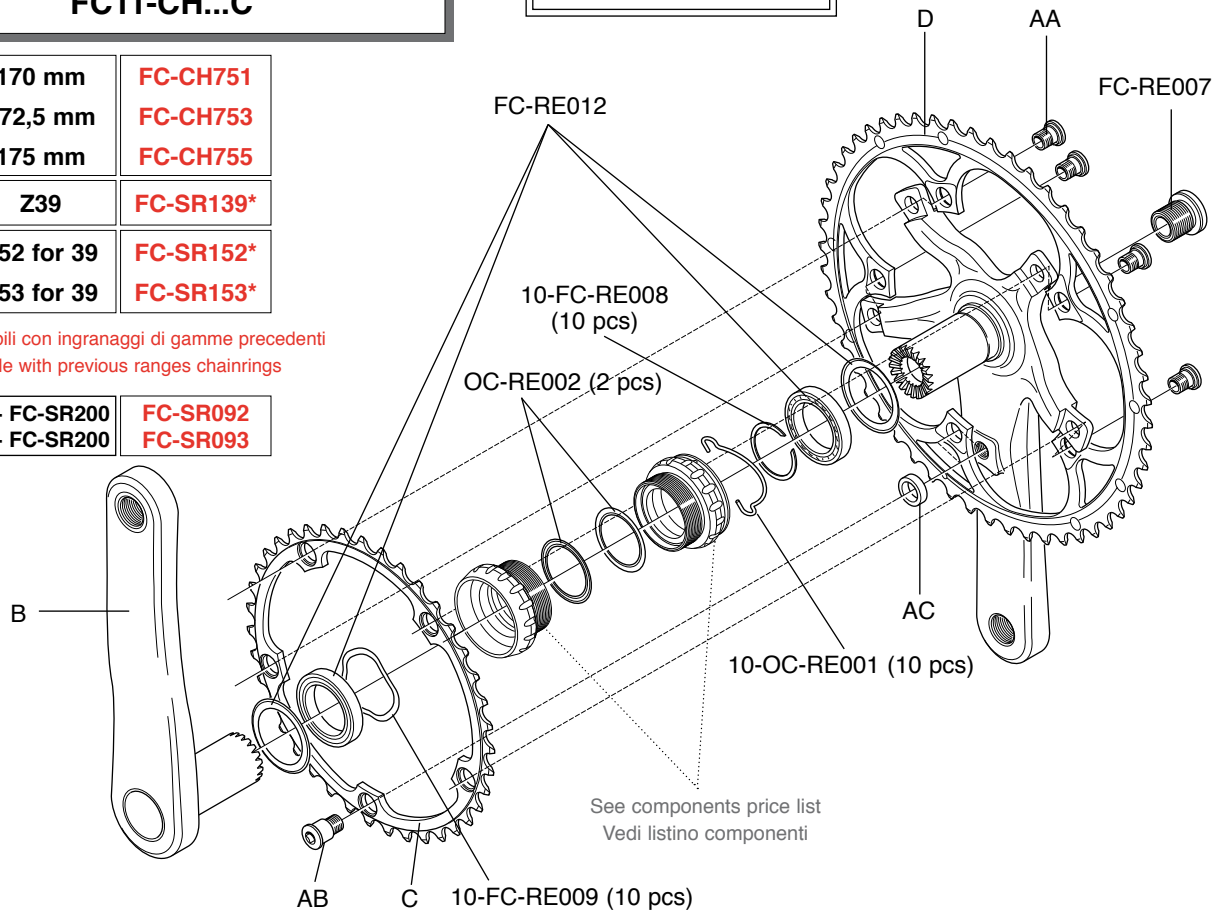
4 AA + 1 AB + 1 AC

B	170 mm	FC-CH751
	172,5 mm	FC-CH753
	175 mm	FC-CH755
C	Z39	FC-SR139*
D	Z52 for 39	FC-SR152*
	Z53 for 39	FC-SR153*

\* non compatibili con ingranaggi di gamme precedenti

\* not compatible with previous ranges chainrings

Z39 + Z52 + FC-SR200	FC-SR092
Z39 + Z53 + FC-SR200	FC-SR093



**CHORUS™ ULTRA-TORQUE™**  
**CT™ Carbon 11s**  
**FC11-CH...C**

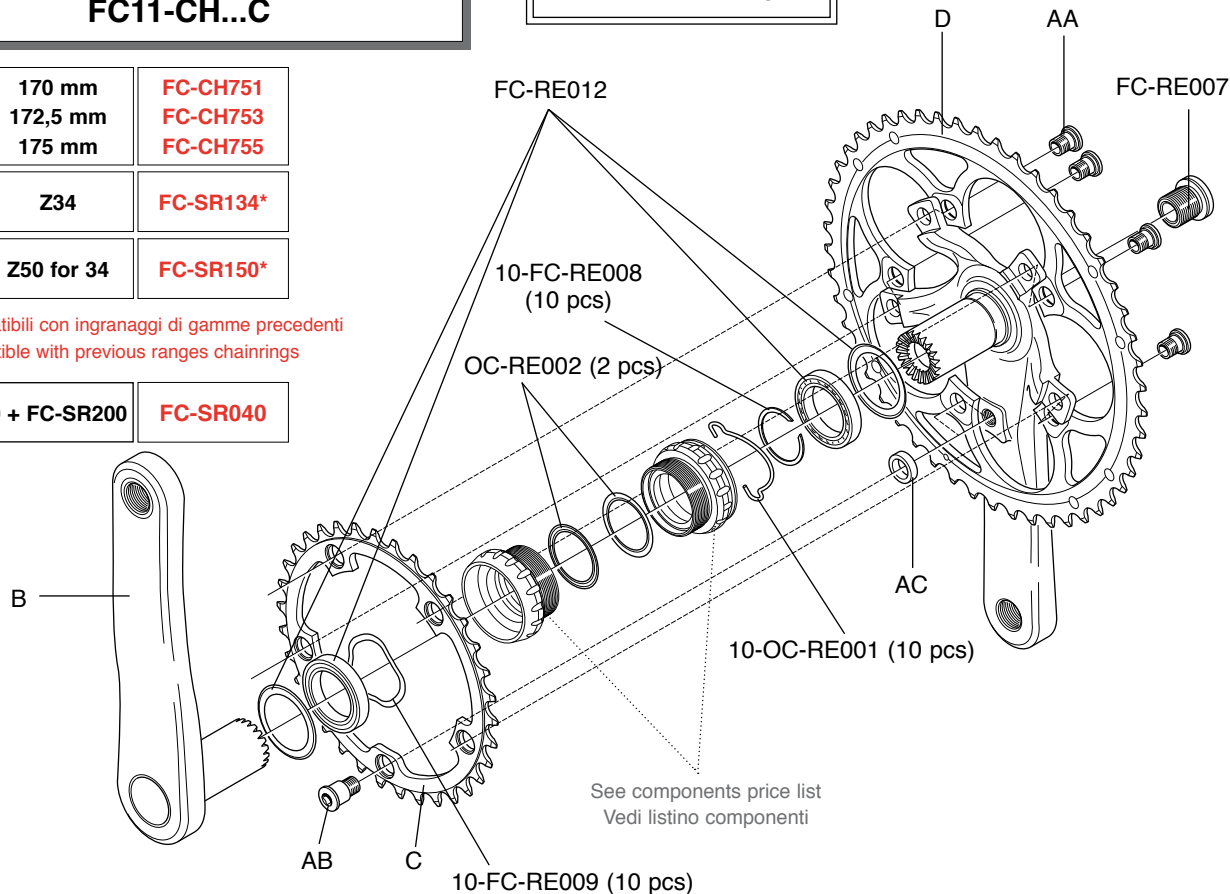
**FC-SR200**  
**KIT VITI / SCREWS&NUTS**

4 AA + 1 AB + 1 AC

<b>B</b>	170 mm	<b>FC-CH751</b>
	172,5 mm	<b>FC-CH753</b>
	175 mm	<b>FC-CH755</b>
<b>C</b>	<b>Z34</b>	<b>FC-SR134*</b>
<b>D</b>	<b>Z50 for 34</b>	<b>FC-SR150*</b>

\* non compatibili con ingranaggi di gamme precedenti  
 \* not compatible with previous ranges chainrings

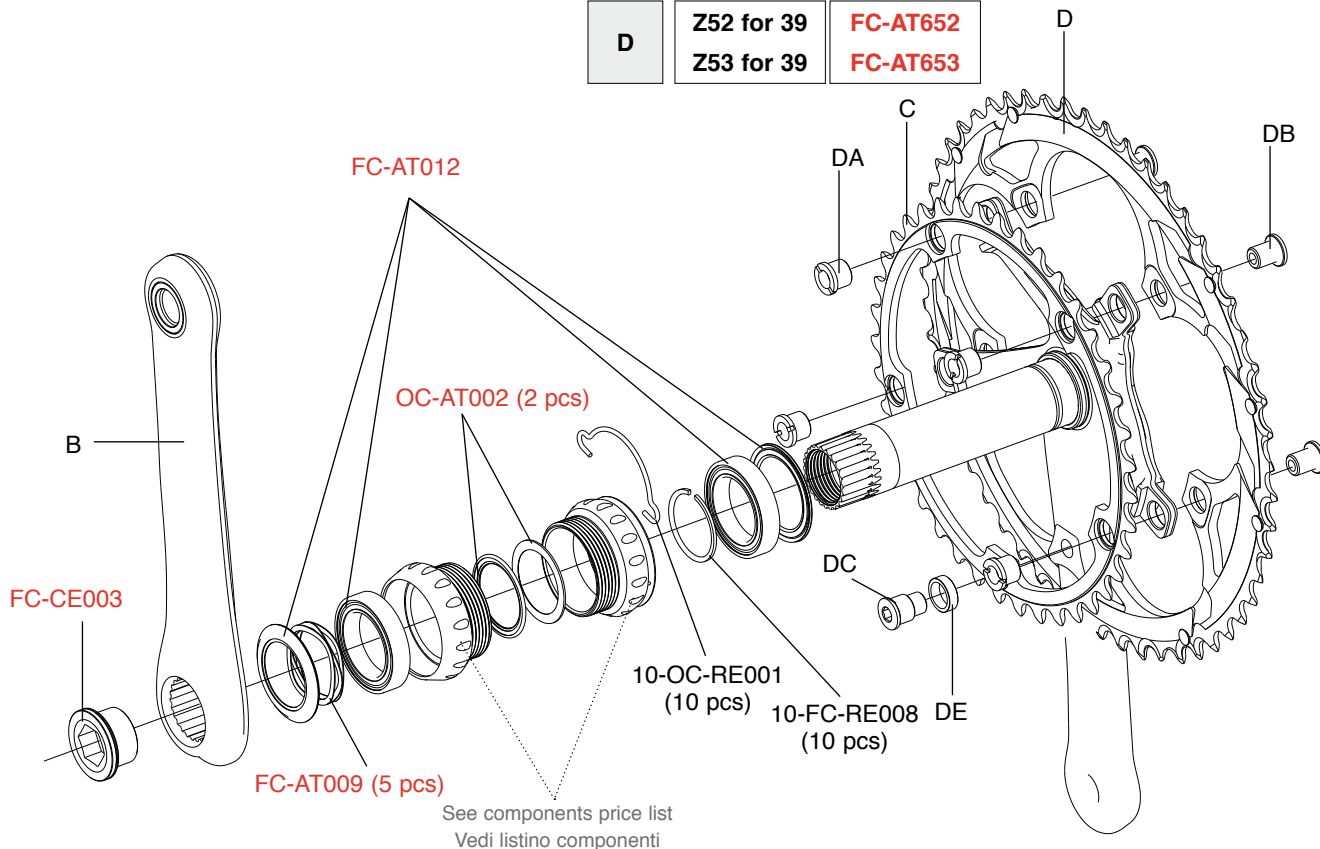
<b>Z34 + Z50 + FC-SR200</b>	<b>FC-SR040</b>
-----------------------------	-----------------



**ATHENA™ POWER-TORQUE™**  
**Carbon 11s**  
**FC11-AT...C**

<b>B</b>	170 mm	<b>FC-AT763</b>
	172,5 mm	<b>FC-AT765</b>
	175 mm	<b>FC-AT767</b>
<b>C</b>	Z39	<b>FC-AT139</b>
<b>D</b>	Z52 for 39	<b>FC-AT652</b>
	Z53 for 39	<b>FC-AT653</b>

<b>FC-AT300</b> KIT VITI / SCREWS&NUTS
4 DA + 4 DB + 1 DC + 1 DD

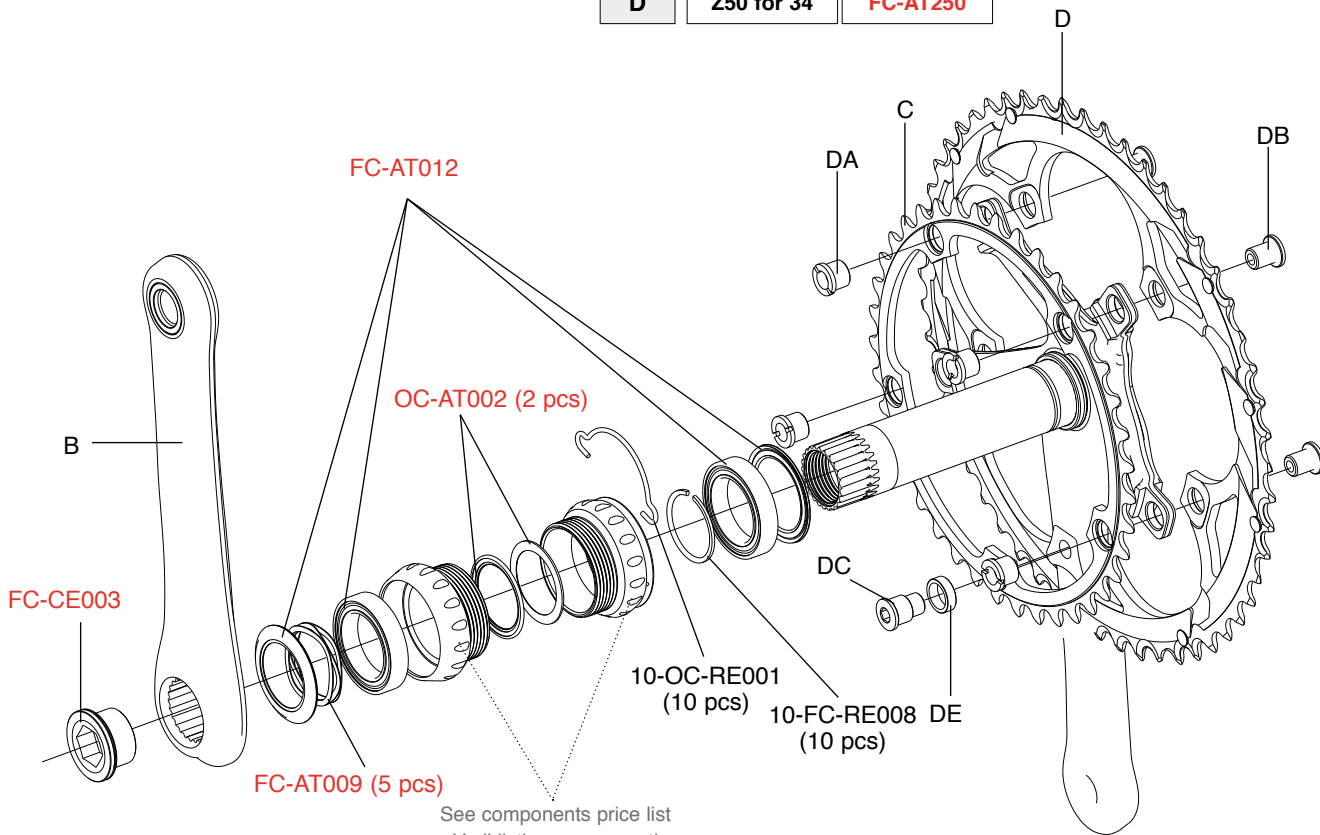




**ATHENA™ POWER-TORQUE™**  
**CT™ Carbon 11s**  
**FC11-AT...C**

B	170 mm	<b>FC-AT763</b>
	172,5 mm	<b>FC-AT765</b>
	175 mm	<b>FC-AT767</b>
C	Z34	<b>FC-AT134</b>
D	Z50 for 34	<b>FC-AT250</b>

<b>FC-AT300</b>
<b>KIT VITI / SCREWS&amp;NUTS</b>
4 DA + 4 DB + 1 DC + 1 DD

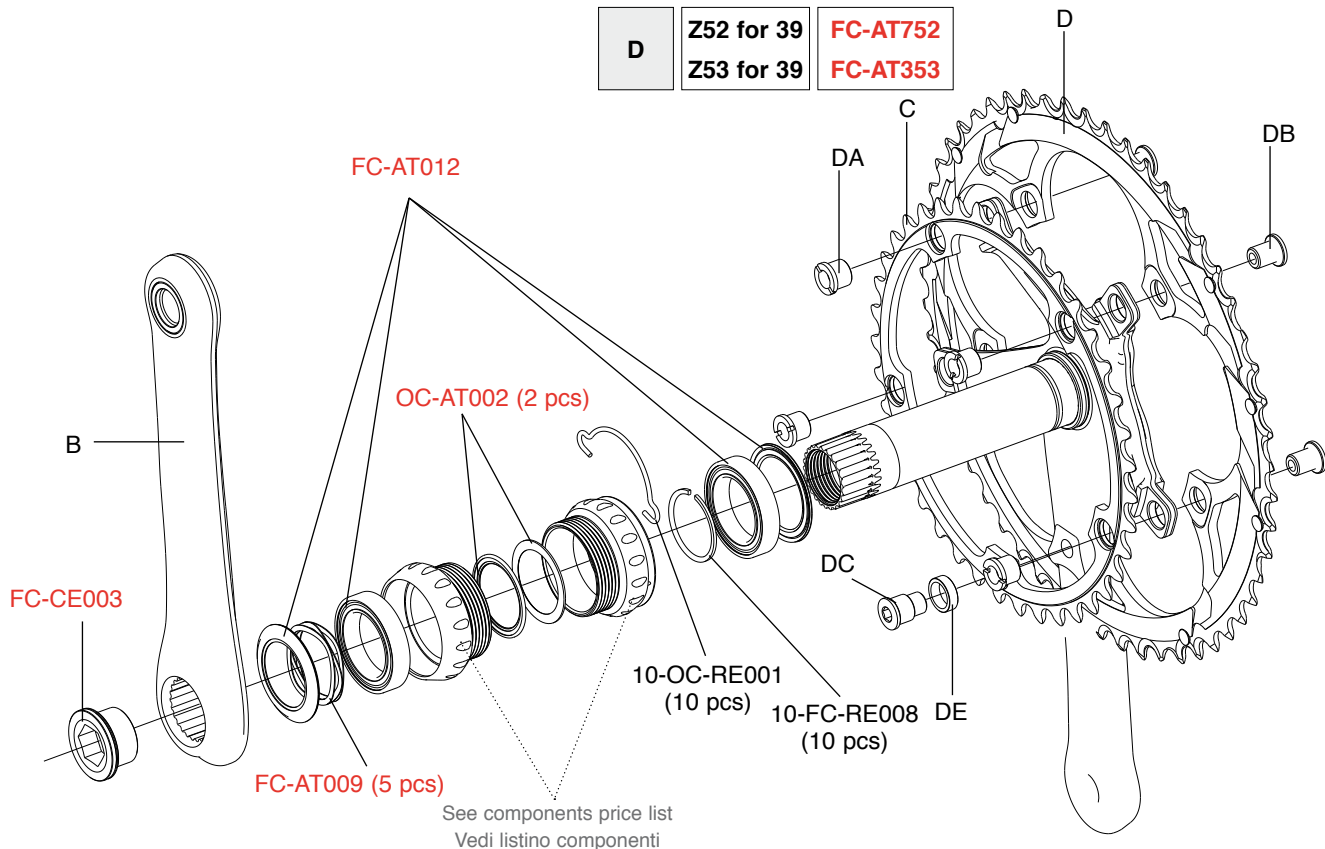


See components price list  
 Vedi listino componenti

**ATHENA™ POWER-TORQUE™**  
**11s**  
**FC11-AT...**

<b>B</b>	170 mm	<b>FC-AT935</b>
	172,5 mm	<b>FC-AT937</b>
	175 mm	<b>FC-AT939</b>
<b>C</b>	Z39	<b>FC-AT239</b>
<b>D</b>	Z52 for 39	<b>FC-AT752</b>
	Z53 for 39	<b>FC-AT353</b>

<b>FC-AT300</b>
<b>KIT VITI / SCREWS&amp;NUTS</b>
4 DA + 4 DB + 1 DC + 1 DD

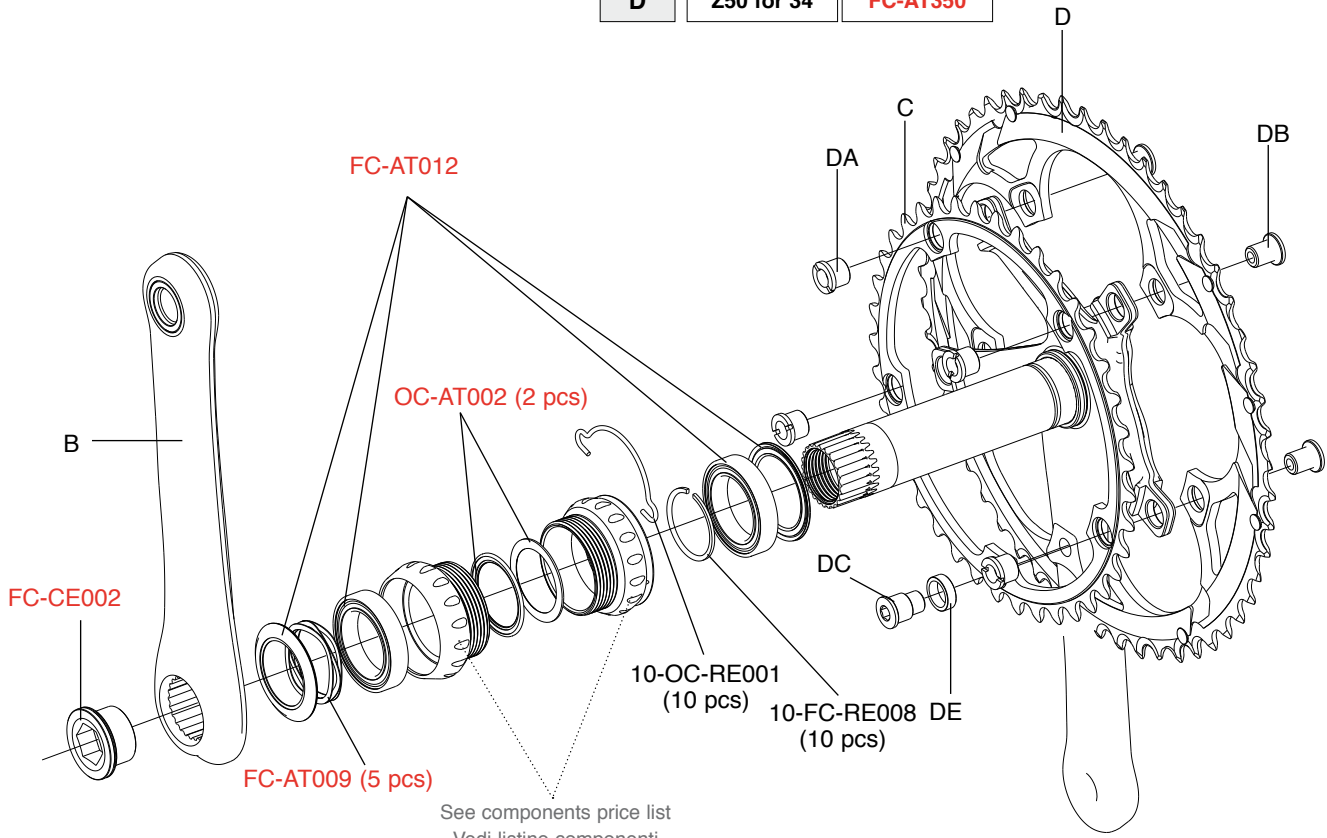


# CRANKSET

**ATHENA™ POWER-TORQUE™**  
**CT™ 11s**  
**FC11-AT...**

B	170 mm	<b>FC-AT935</b>
	172,5 mm	<b>FC-AT937</b>
	175 mm	<b>FC-AT939</b>
C	Z34	<b>FC-AT234</b>
D	Z50 for 34	<b>FC-AT350</b>

**FC-AT300**  
**KIT VITI / SCREWS&NUTS**  
 4 DA + 4 DB + 1 DC + 1 DD

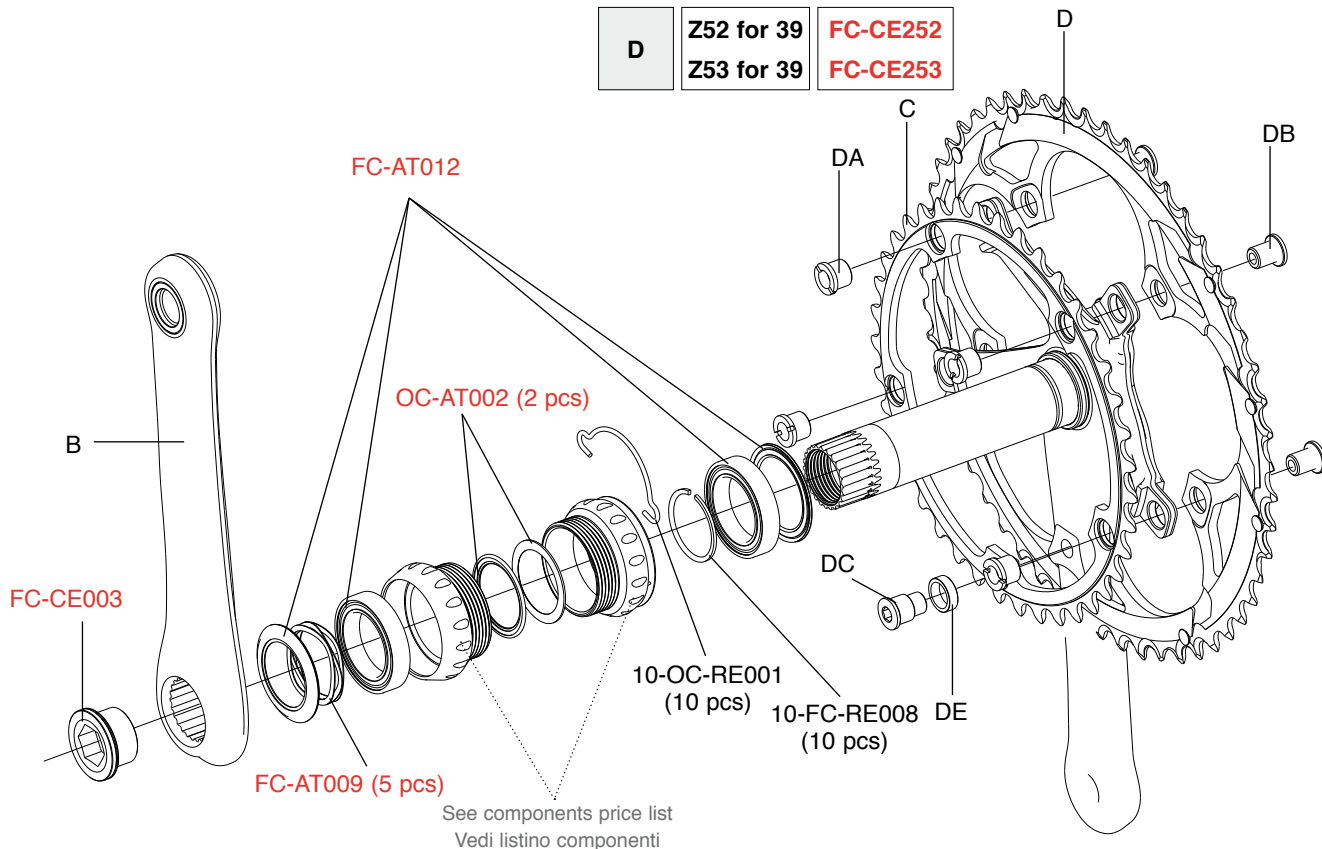


See components price list  
 Vedi listino componenti

**CENTAUR™ POWER-TORQUE™**  
**Carbon 10s**  
**FC11-CE...C**

B	170 mm	FC-CE775
	172,5 mm	FC-CE777
	175 mm	FC-CE779
C	Z39	FC-CE139
D	Z52 for 39	FC-CE252
	Z53 for 39	FC-CE253

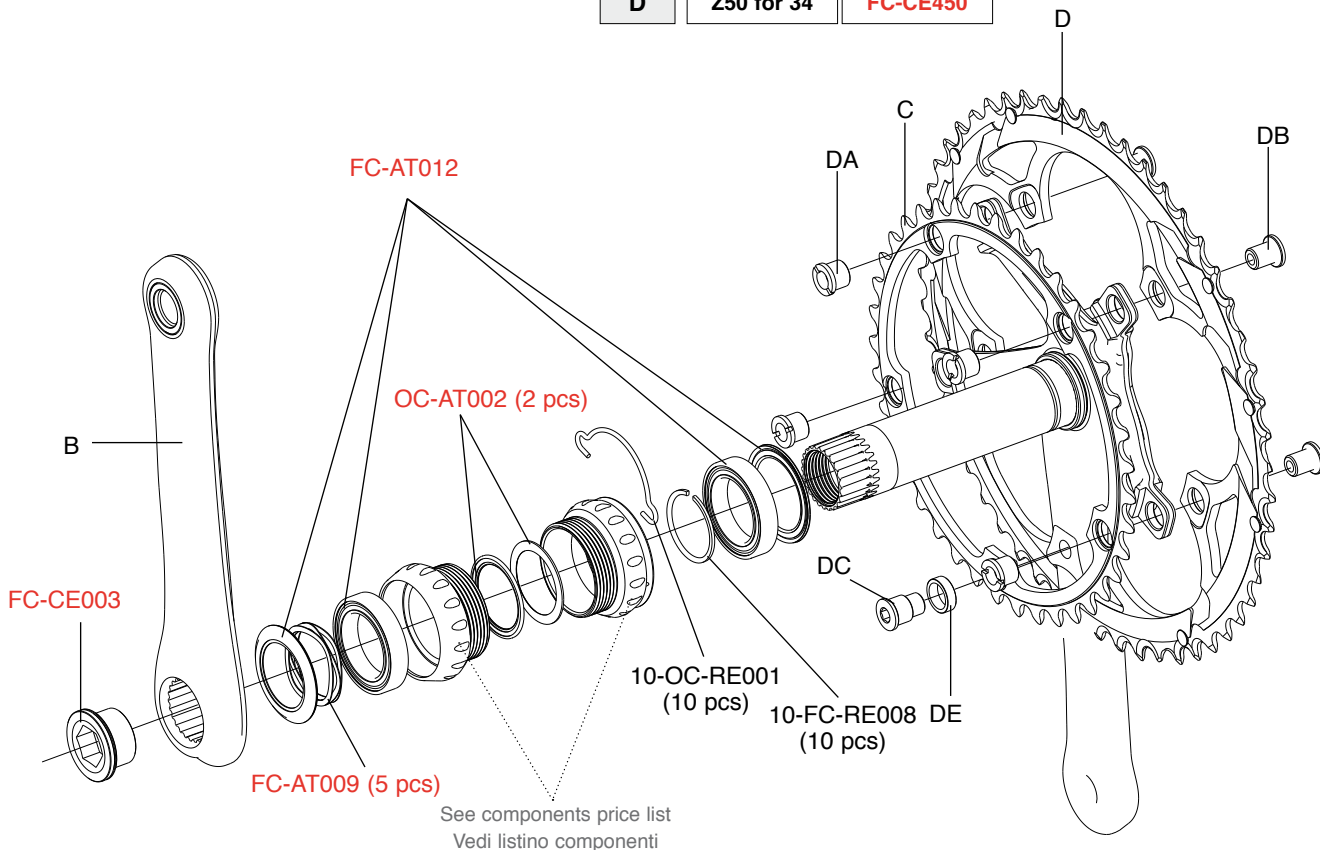
**FC-AT300**  
**KIT VITI / SCREWS&NUTS**  
 4 DA + 4 DB + 1 DC + 1 DD



**CENTAUR™ POWER-TORQUE™**  
**CT™ Carbon 10s**  
**FC11-CE...C**

B	170 mm	<b>FC-CE775</b>
	172,5 mm	<b>FC-CE777</b>
	175 mm	<b>FC-CE779</b>
C	Z34	<b>FC-CE234</b>
D	Z50 for 34	<b>FC-CE450</b>

<b>FC-AT300</b>
<b>KIT VITI / SCREWS&amp;NUTS</b>
4 DA + 4 DB + 1 DC + 1 DD

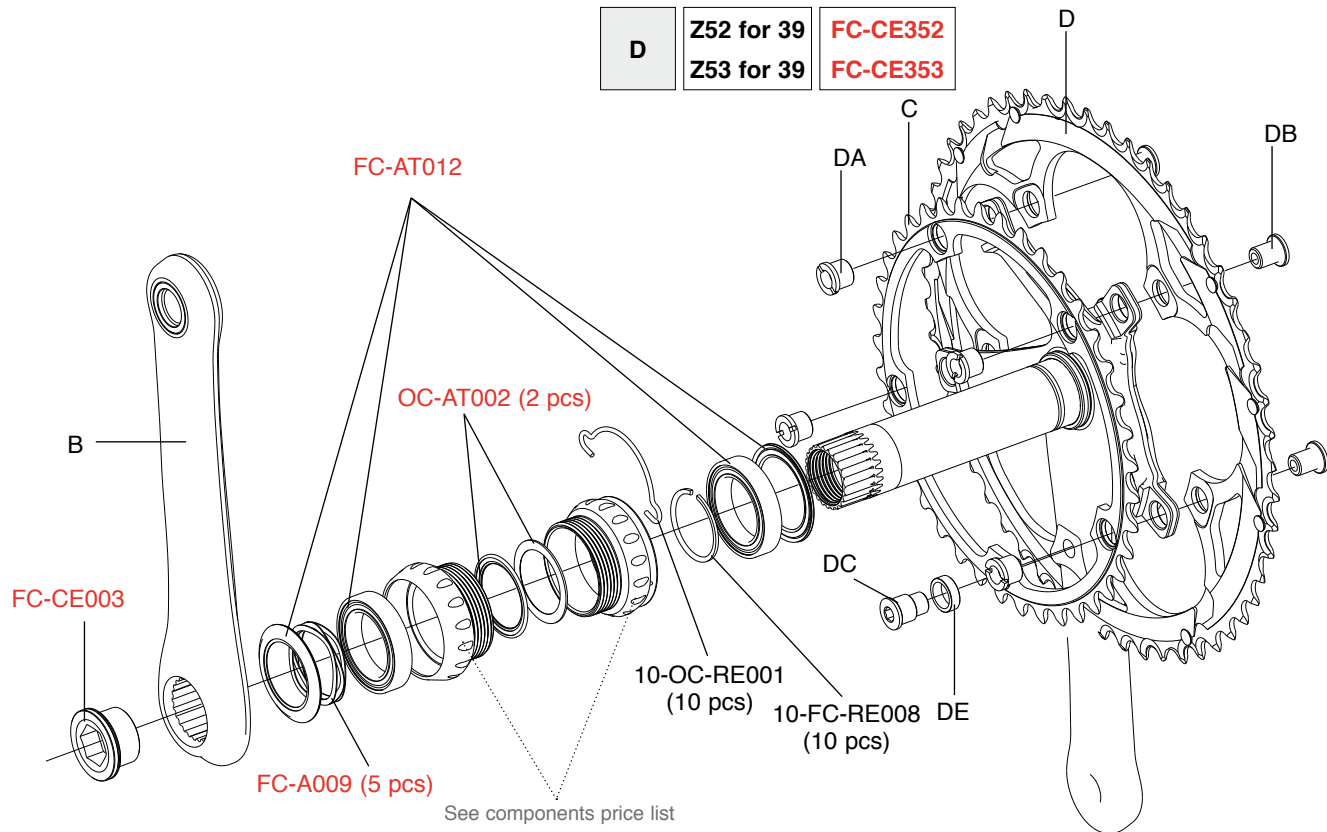


See components price list  
 Vedi listino componenti

**CENTAUR™ POWER-TORQUE™**  
**10s**  
**FC11-CE...**

B	170 mm	FC-CE461
	172,5 mm	FC-CE463
	175 mm	FC-CE465
C	Z39	FC-CE239
D	Z52 for 39	FC-CE352
	Z53 for 39	FC-CE353

**FC-AT300**  
**KIT VITI / SCREWS&NUTS**  
 4 DA + 4 DB + 1 DC + 1 DD



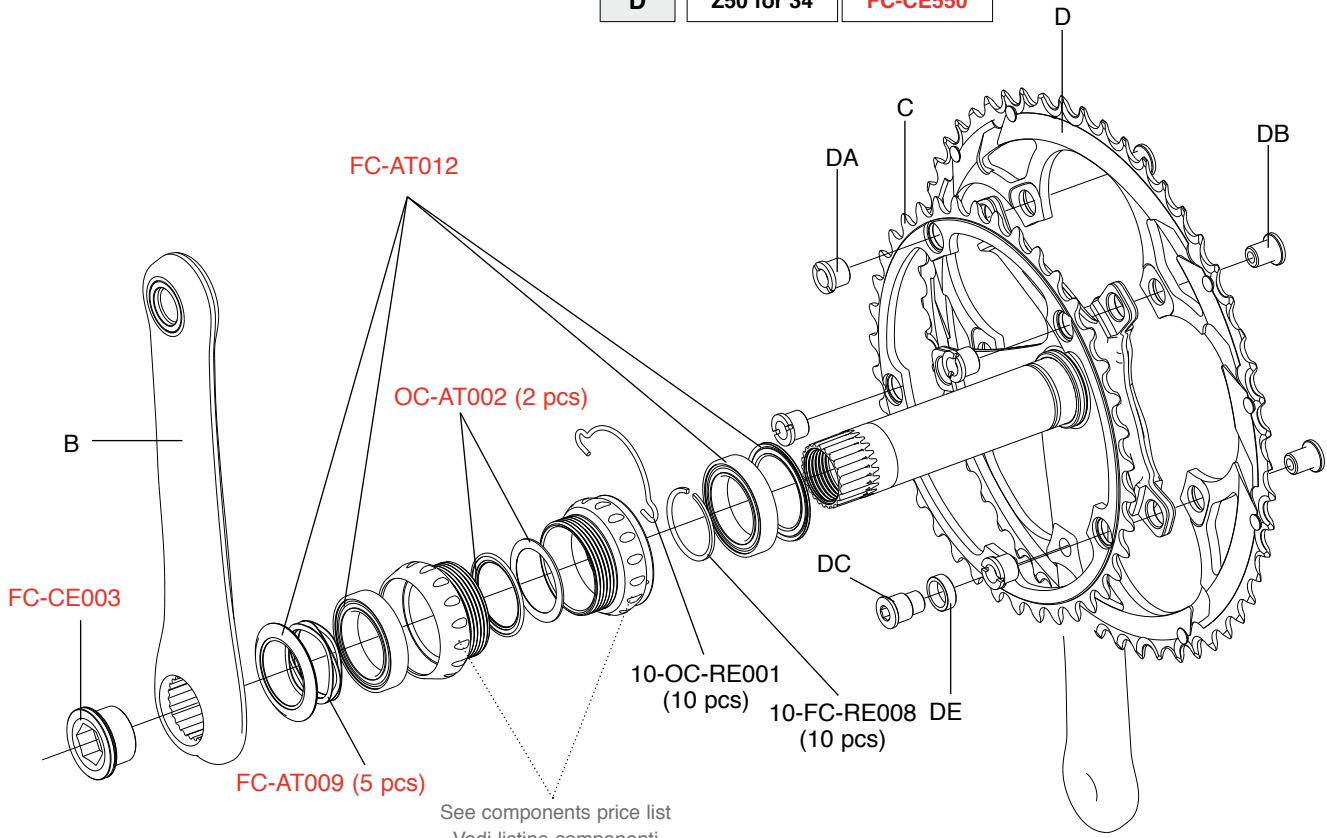
See components price list  
 Vedi listino componenti

# CRANKSET

**CENTAUR™ POWER-TORQUE™**  
**CT™ 10s**  
**FC11-CE...**

B	170 mm	<b>FC-CE461</b>
	172,5 mm	<b>FC-CE463</b>
	175 mm	<b>FC-CE465</b>
C	Z34	<b>FC-CE334</b>
D	Z50 for 34	<b>FC-CE550</b>

**FC-AT300**  
**KIT VITI / SCREWS&NUTS**  
 4 DA + 4 DB + 1 DC + 1 DD



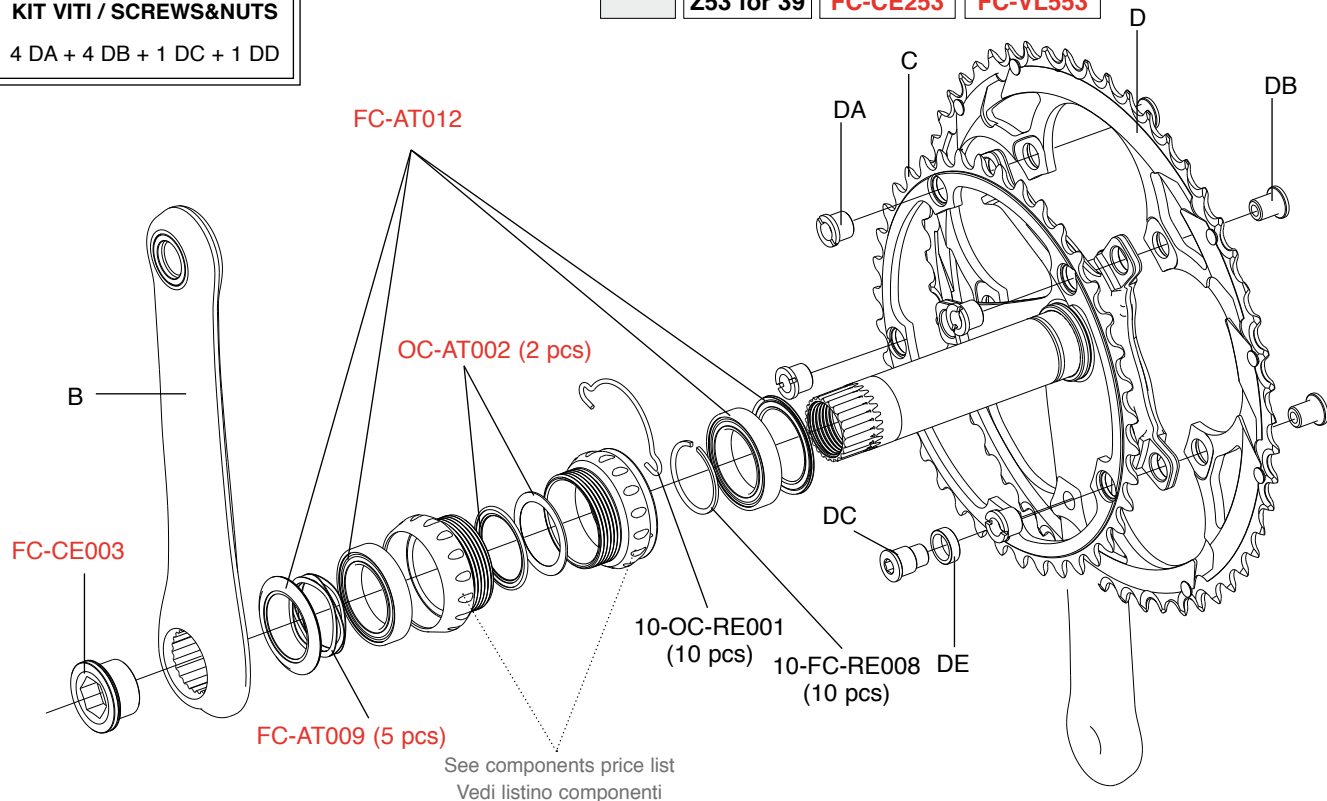
See components price list  
 Vedi listino componenti

**VELOCE™ POWER-TORQUE™**  
**10s**  
**FC11-VL...**

**FC-AT300**  
**KIT VITI / SCREWS&NUTS**  
 4 DA + 4 DB + 1 DC + 1 DD

	BLACK	SILVER
--	-------	--------

<b>B</b>	170 mm	<b>FC-VL571</b>	<b>FC-VL945</b>
	172,5 mm	<b>FC-VL573</b>	<b>FC-VL947</b>
	175 mm	<b>FC-VL575</b>	<b>FC-VL949</b>
<b>C</b>	<b>Z39</b>	<b>FC-VL339</b>	<b>FC-VL439</b>
<b>D</b>	<b>Z52 for 39</b>	<b>FC-CE252</b>	<b>FC-VL652</b>
	<b>Z53 for 39</b>	<b>FC-CE253</b>	<b>FC-VL553</b>

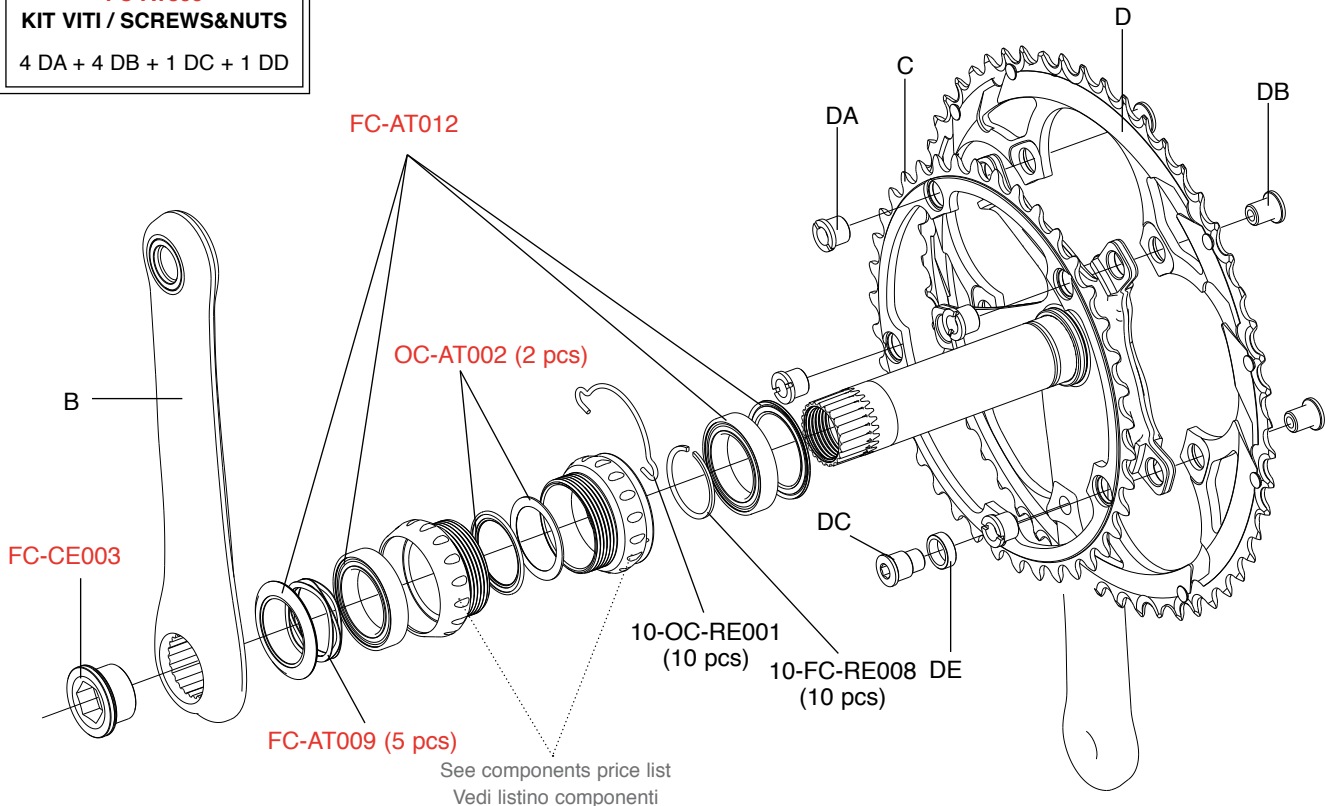




**VELOCE™ POWER-TORQUE™  
CT™ 10s  
FC11-VL...**

**FC-AT300**  
KIT VITI / SCREWS&NUTS  
4 DA + 4 DB + 1 DC + 1 DD

		BLACK	SILVER
B	170 mm	FC-VL571	FC-VL945
	172,5 mm	FC-VL573	FC-VL947
	175 mm	FC-VL575	FC-VL949
C	Z34	FC-VL434	FC-VL534
D	Z50 for 34	FC-CE450	FC-VL450



**CX™ POWER-TORQUE™**

**11s**

**FC11-CX1...**

**FC-AT300**

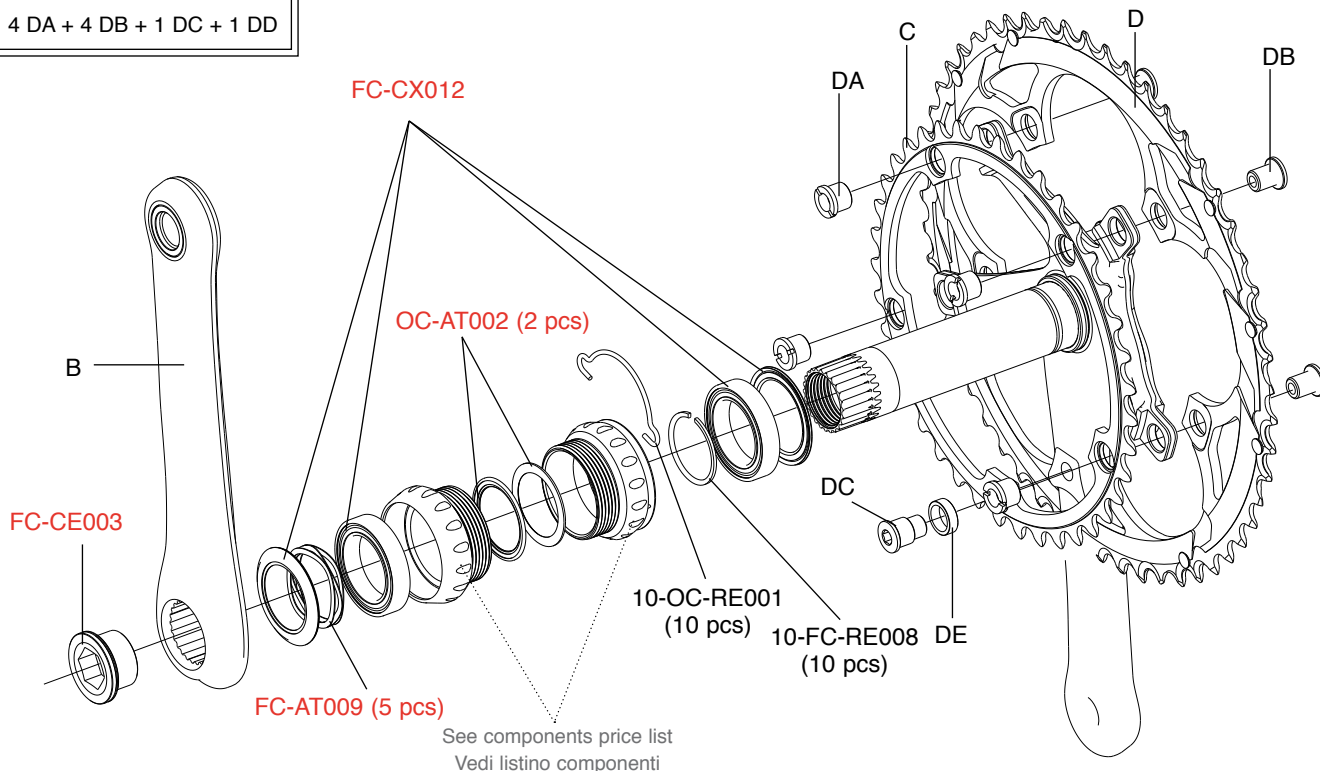
**KIT VITI / SCREWS&NUTS**

4 DA + 4 DB + 1 DC + 1 DD

**CARBON**

**ALUMINIUM**

<b>B</b>	170 mm	<b>FC-CX787</b>	<b>FC-CX636</b>
	172,5 mm	<b>FC-CX789</b>	<b>FC-CX637</b>
	175 mm	<b>FC-CX791</b>	<b>FC-CX638</b>
<b>C</b>	Z34	<b>FC-CX134</b>	<b>FC-CX234</b>
	Z36	<b>FC-CX236</b>	<b>FC-CX336</b>
<b>D</b>	Z46 for 36	<b>FC-CX246</b>	<b>FC-CX346</b>
	Z50 for 34	<b>FC-CX250</b>	<b>FC-CX350</b>



**CRANKSET**

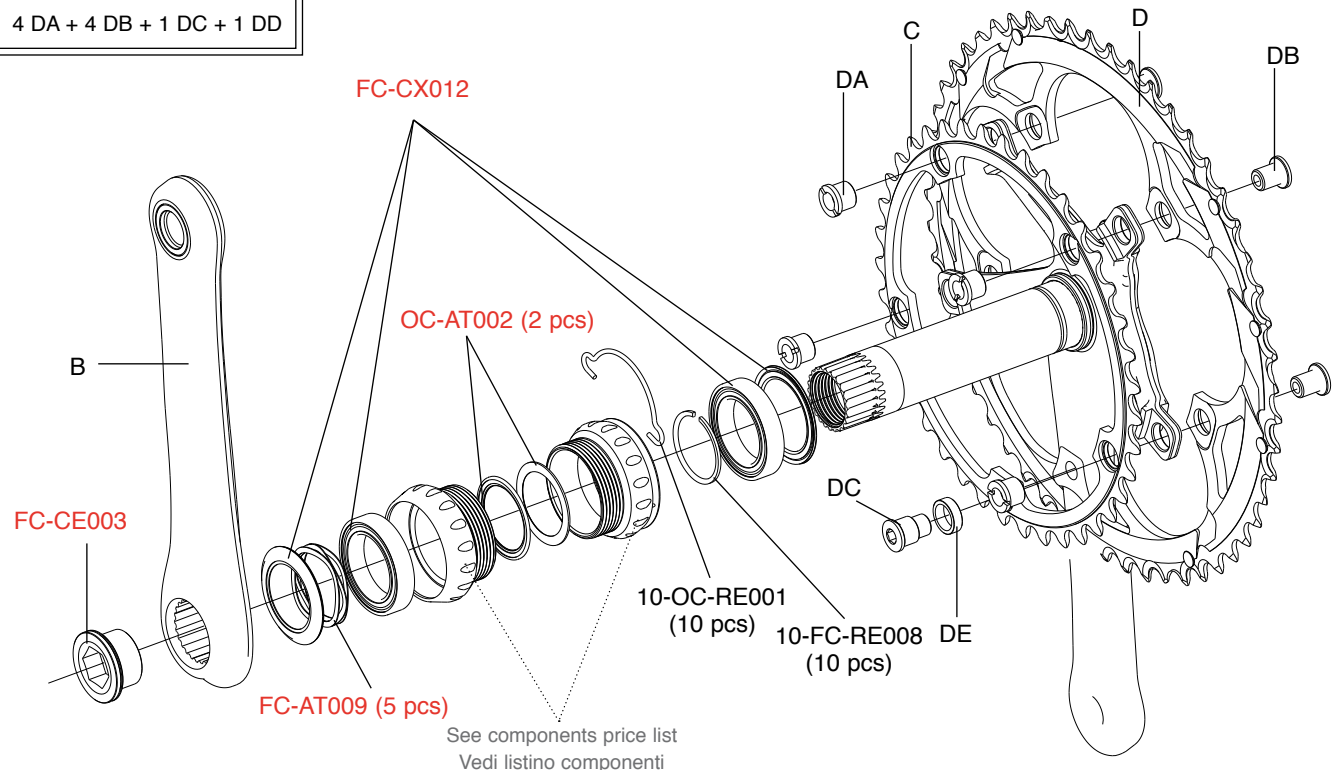
# CRANKSET

**CX™ POWER-TORQUE™**  
**10s**  
**FC11-CXX...**

**FC-AT300**  
**KIT VITI / SCREWS&NUTS**  
 4 DA + 4 DB + 1 DC + 1 DD

	CARBON	ALUMINIUM
--	--------	-----------

B	170 mm	FC-CX799	FC-CX656
	172,5 mm	FC-CX801	FC-CX657
	175 mm	FC-CX803	FC-CX658
C	Z34	FC-CX034	FC-CE334
	Z36	FC-CX036	FC-CX136
D	Z46 for 36	FC-CX046	FC-CX146
	Z50 for 34	FC-CX050	FC-CX150



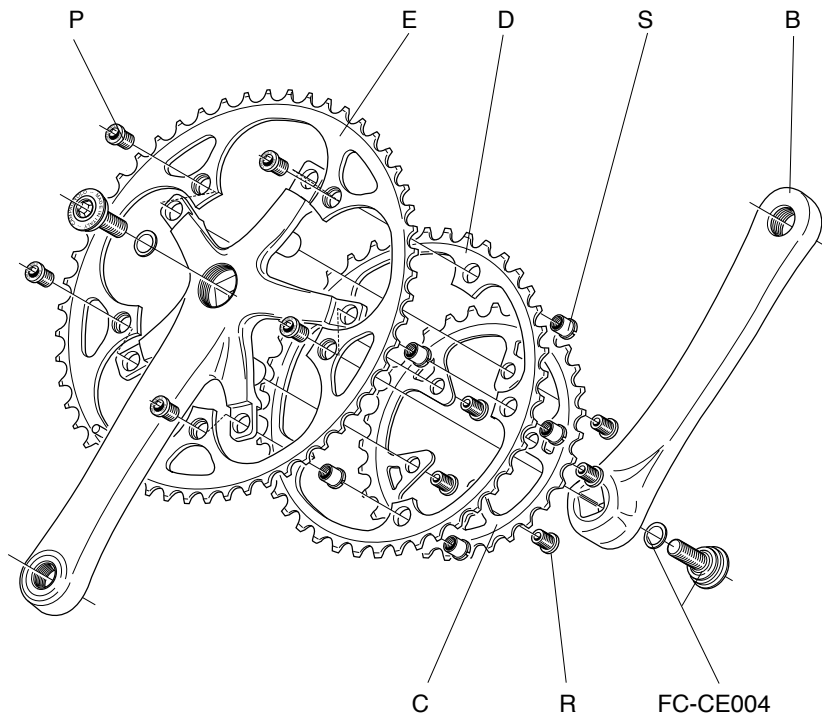
See components price list  
 Vedi listino componenti

**COMP TRIPLE™ 10s**  
**FC7-CO....**

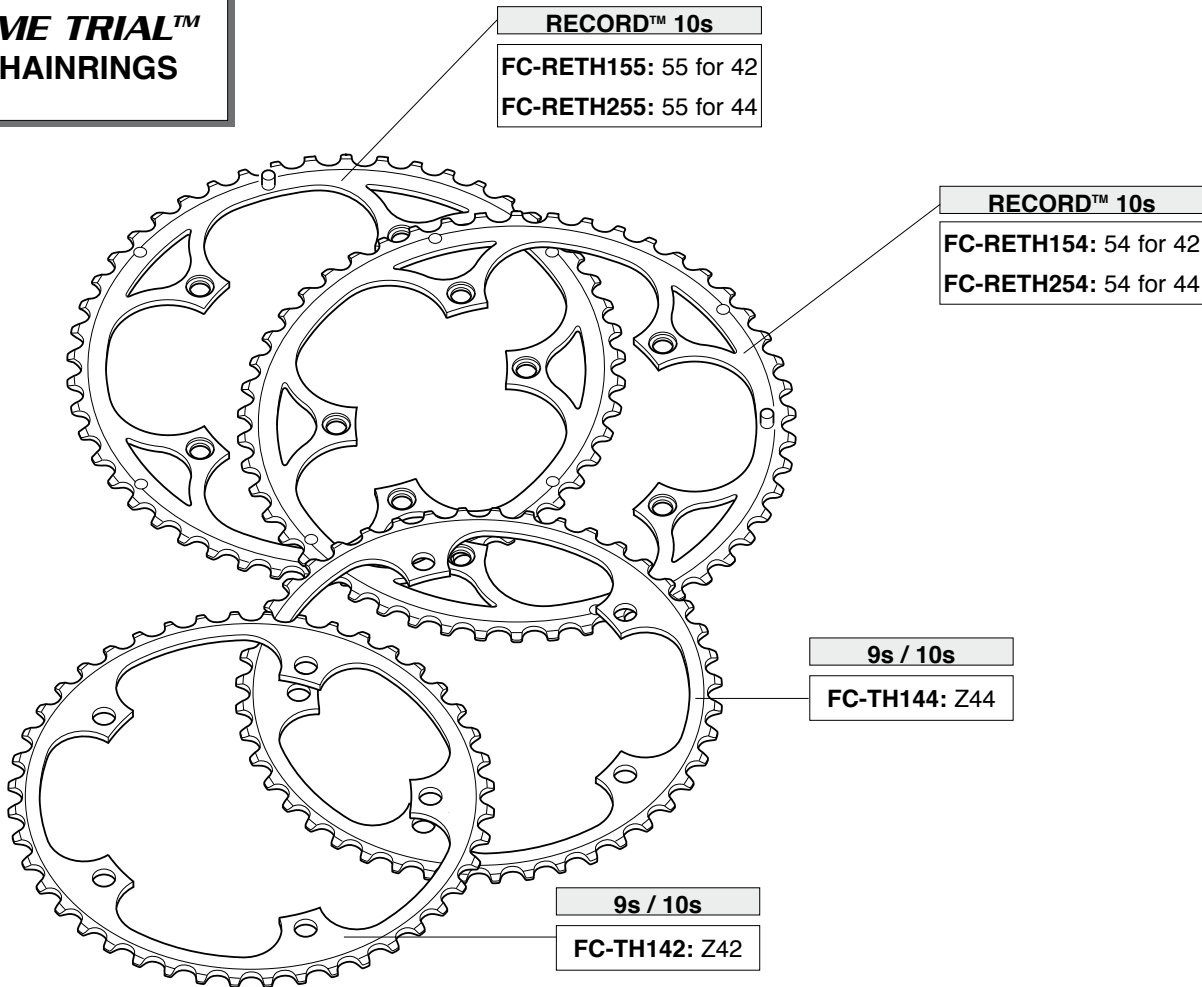
**FC-CO100**  
**KIT VITI / SCREWS&NUTS**

5 P + 5 R + 5 S

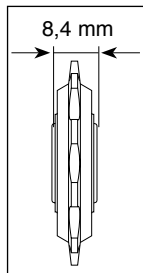
B	170 mm	FC-CO313
	175 mm	FC-CO315
C	Z30	FC-RE030
D	Z40 for 30	FC-CE040
	Z42 for 30	FC-CE042
E	Z50 for 40	FC-CE050
	Z53 for 42	FC-CE053



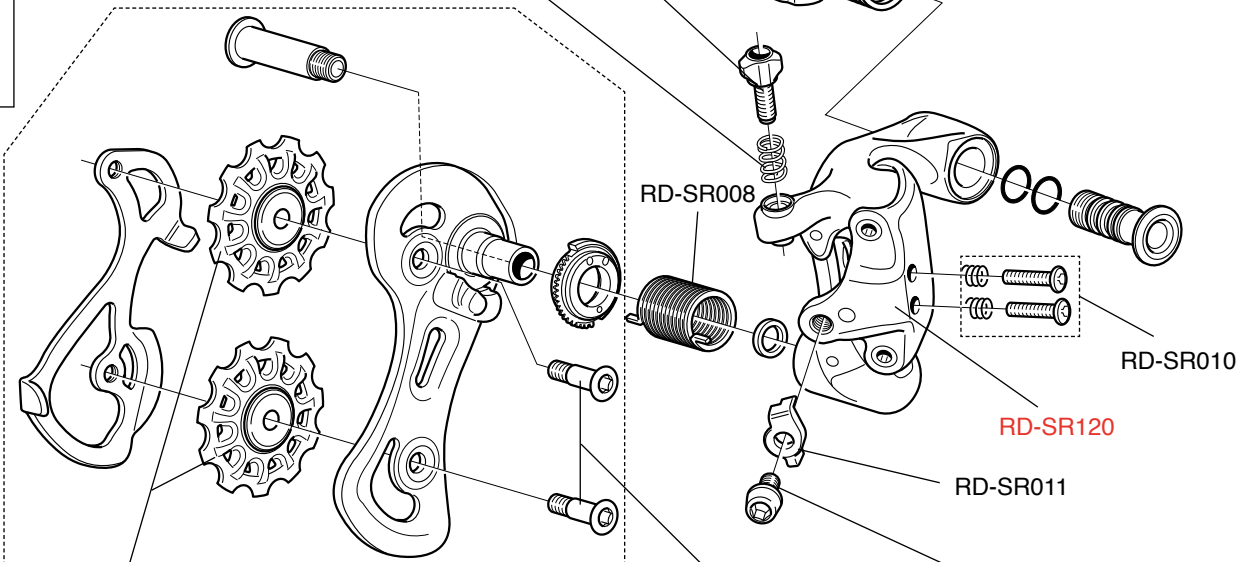
**TIME TRIAL™  
CHAINRINGS**



**SUPER  
RECORD™ 11s  
RD11-SR1**



10-RD-RE013 RD-SR014  
passo 0.5 mm  
0.5 mm thread 10-RD-RE015 RD-SR016 10-RD-RE017

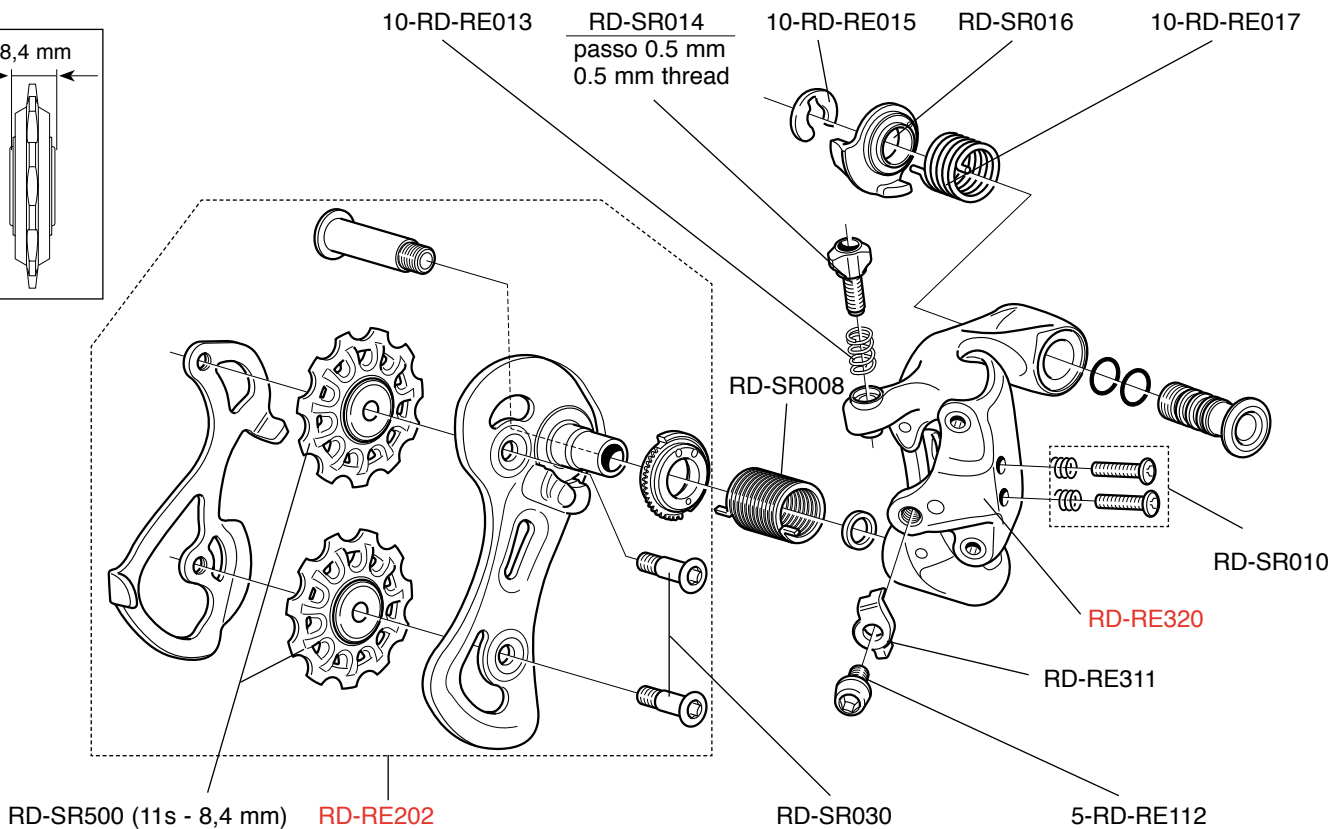
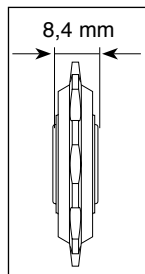


RD-SR500 (11s - 8,4 mm) RD-SR202

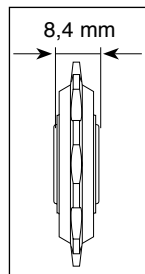
RD-SR130

RD-RE312

## RECORD™ 11s RD11-RE1

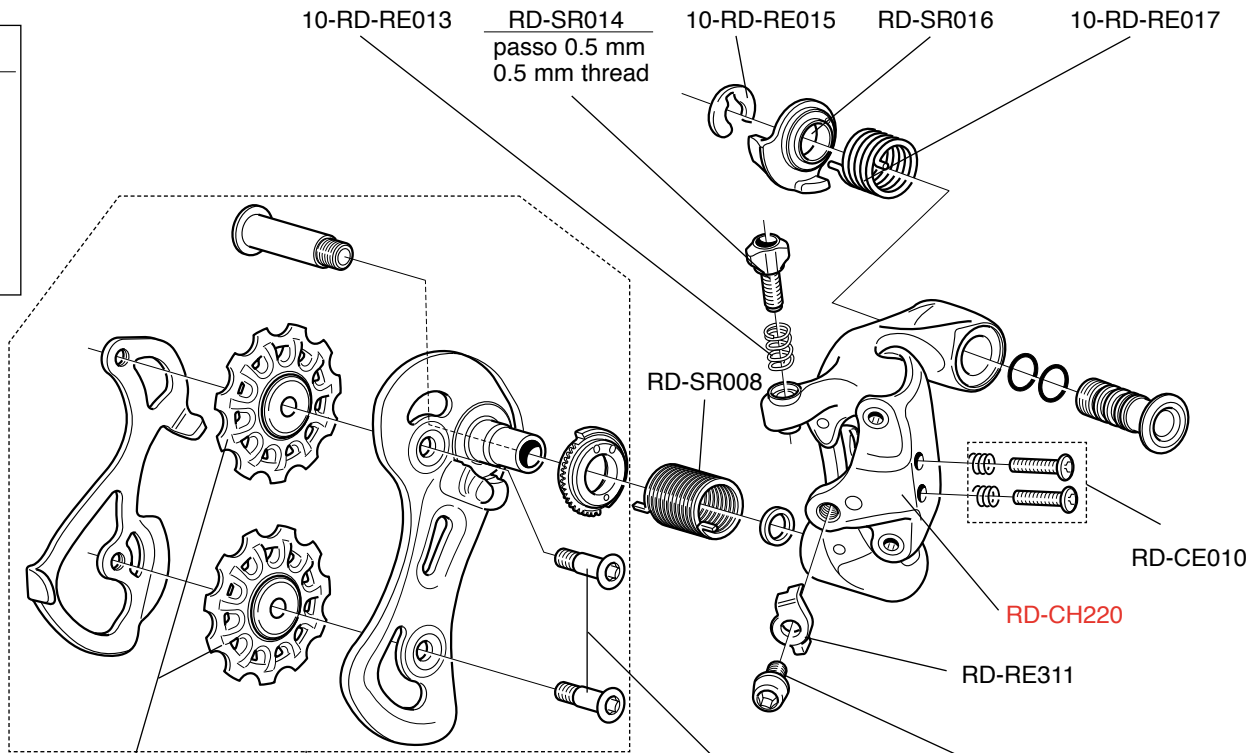


**CHORUS™ 11s**  
**RD11-CH1**



10-RD-RE013    RD-SR014    10-RD-RE015    RD-SR016    10-RD-RE017

passo 0.5 mm  
 0.5 mm thread



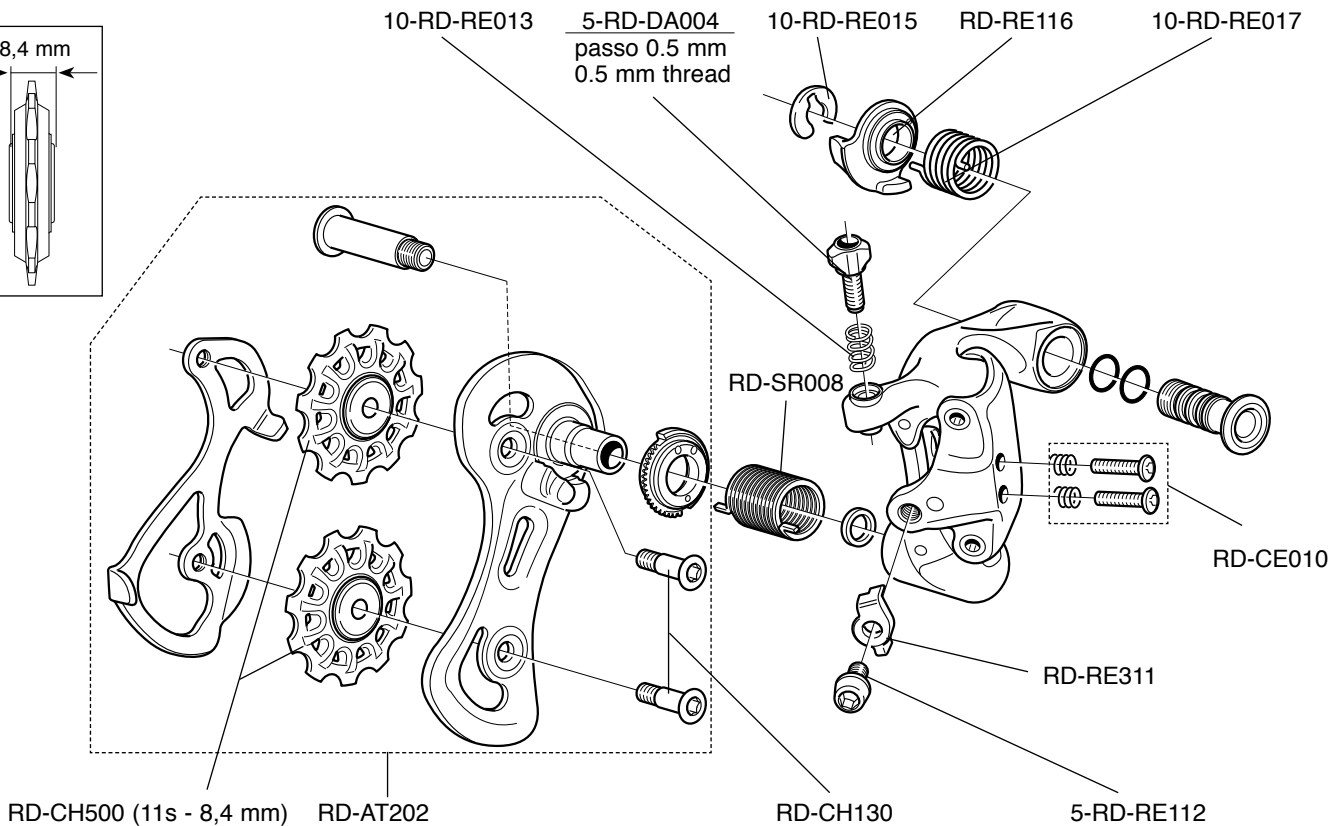
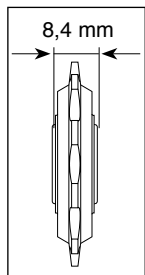
RD-CH500 (11s - 8,4 mm)    RD-CH602

RD-CH130

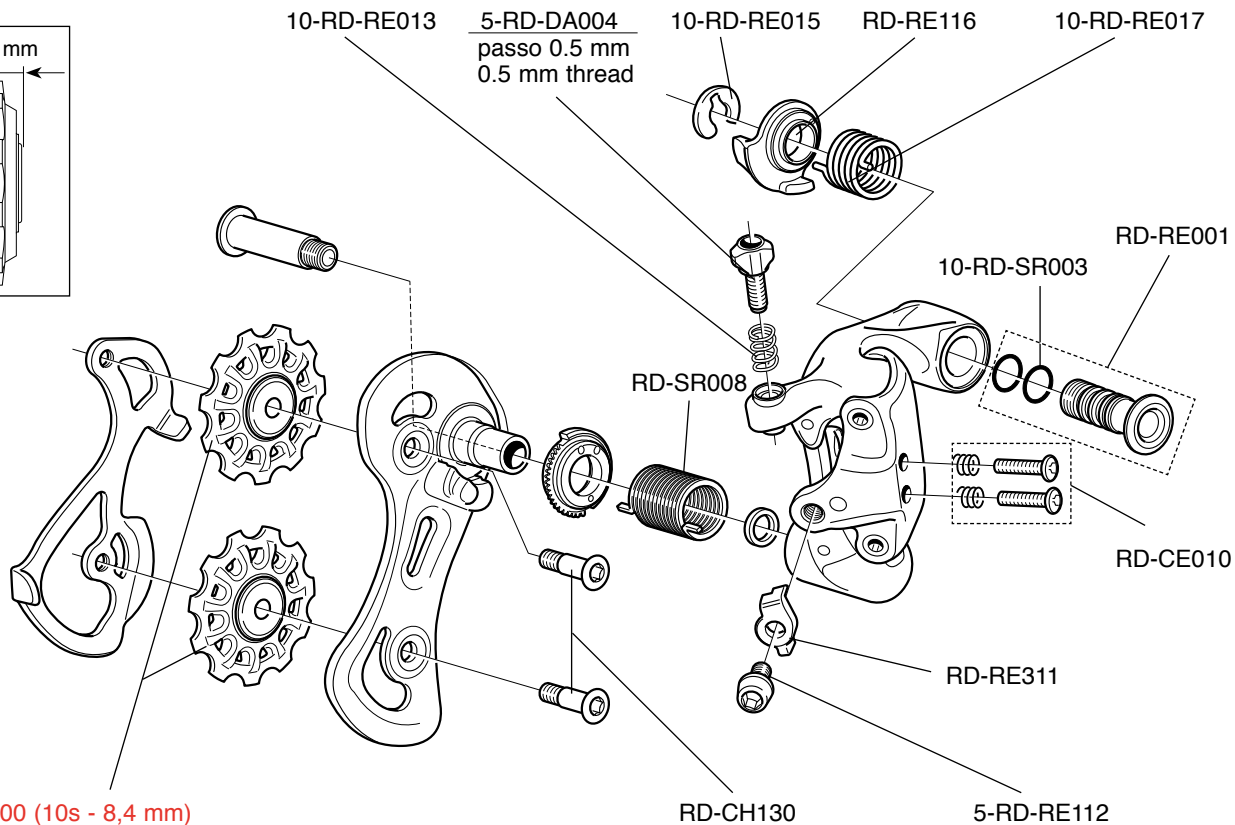
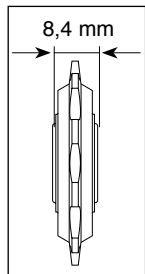
5-RD-RE112



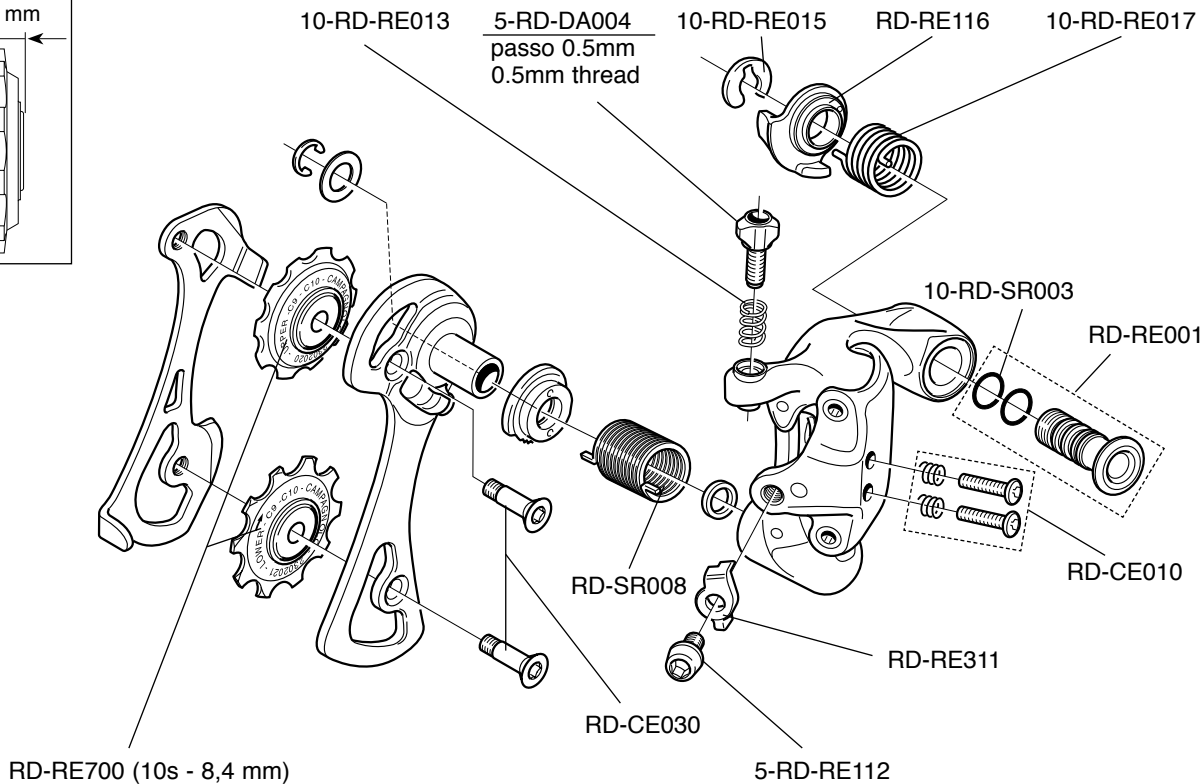
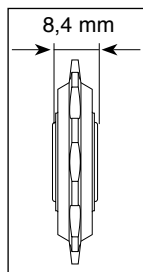
**ATHENA<sup>™</sup> 11s**  
**RD11-AT1**



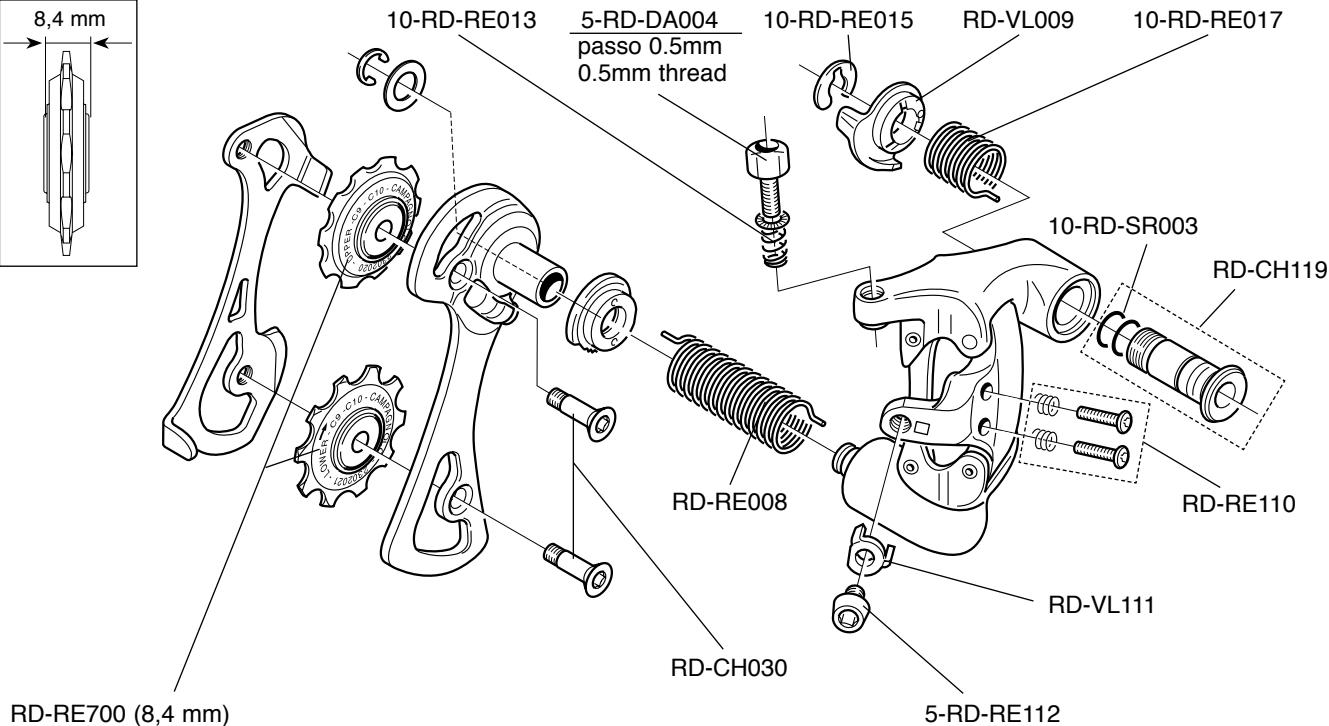
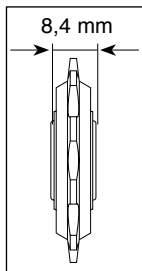
**CENTAUR™ 10s**  
**RD11-CEX**



**VELOCE™ 10s**  
**RD11-VLXS**  
**RD11-VLXM**



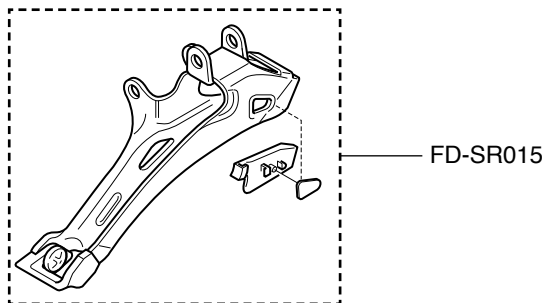
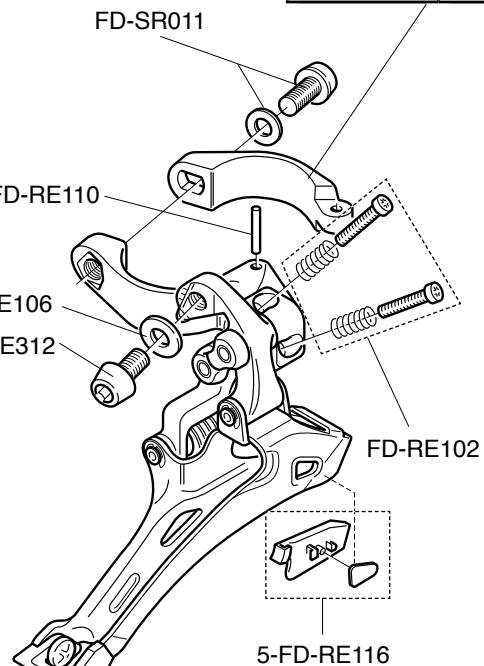
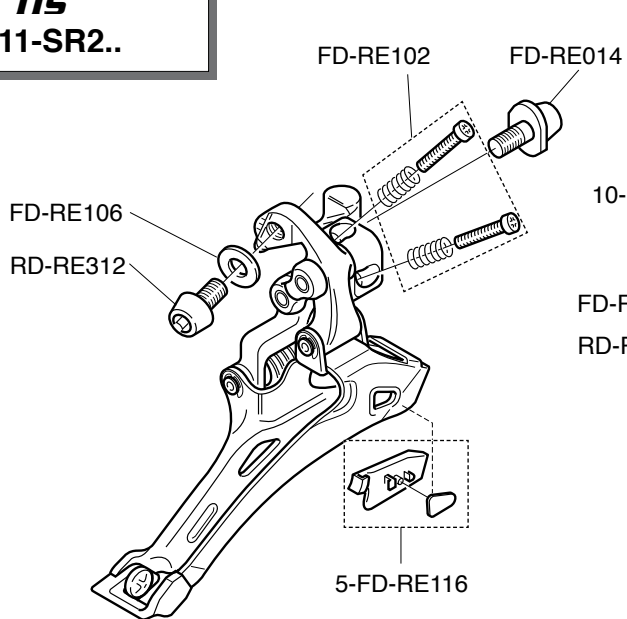
**COMP TRIPLE™**  
**10s**  
**RD7-COXL**



**SUPER RECORD™**

**11s**  
**FD11-SR2..**

ø 32 mm	<b>FD-SR021</b>
ø 35 mm	<b>FD-SR022</b>



**RECORD™ 11s**  
**FD11-RE2..**

FD-RE102

5-FD-VL102

FD-RE106

FD-RE108

5-FD-RE116

FD-SR015

ø 32 mm	<b>FD-RE321</b>
ø 35 mm	<b>FD-RE322</b>

5-FD-RE211

10-FD-RE110

FD-RE106

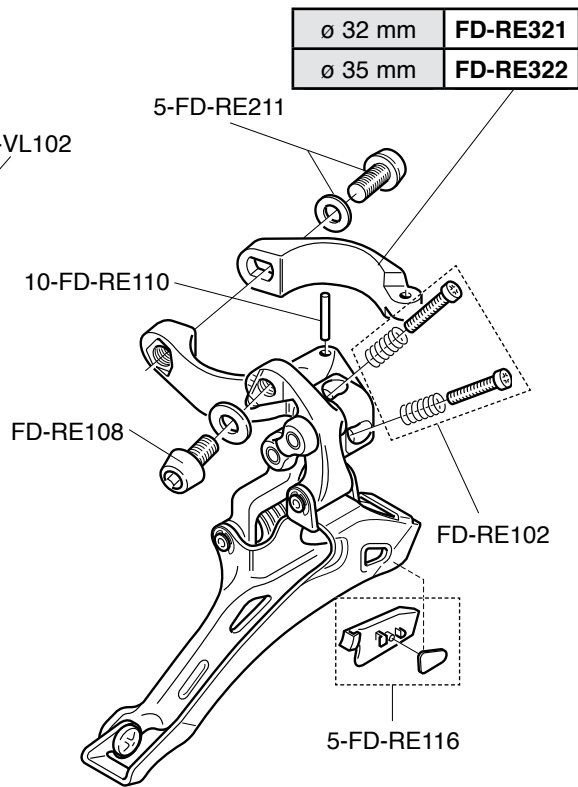
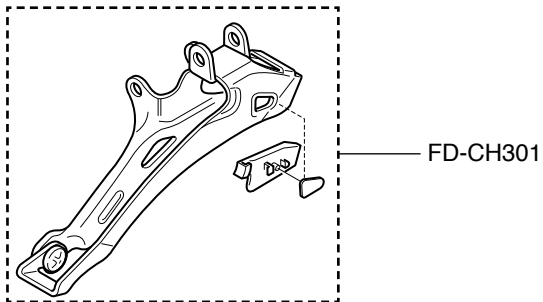
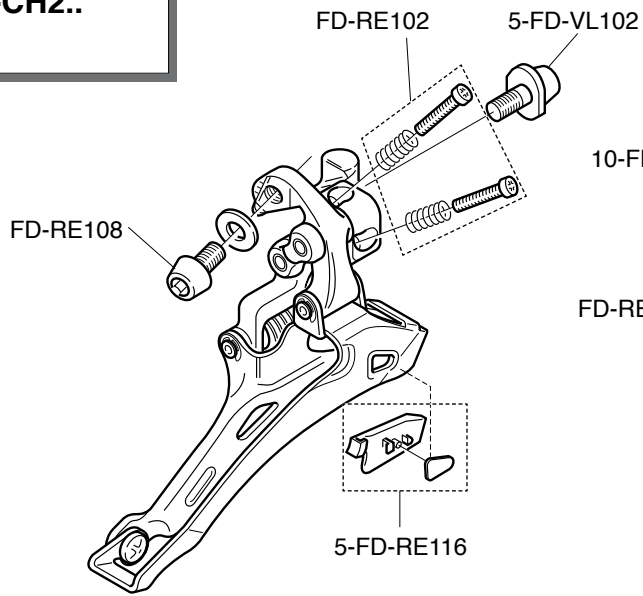
FD-RE108

FD-RE102

5-FD-RE116

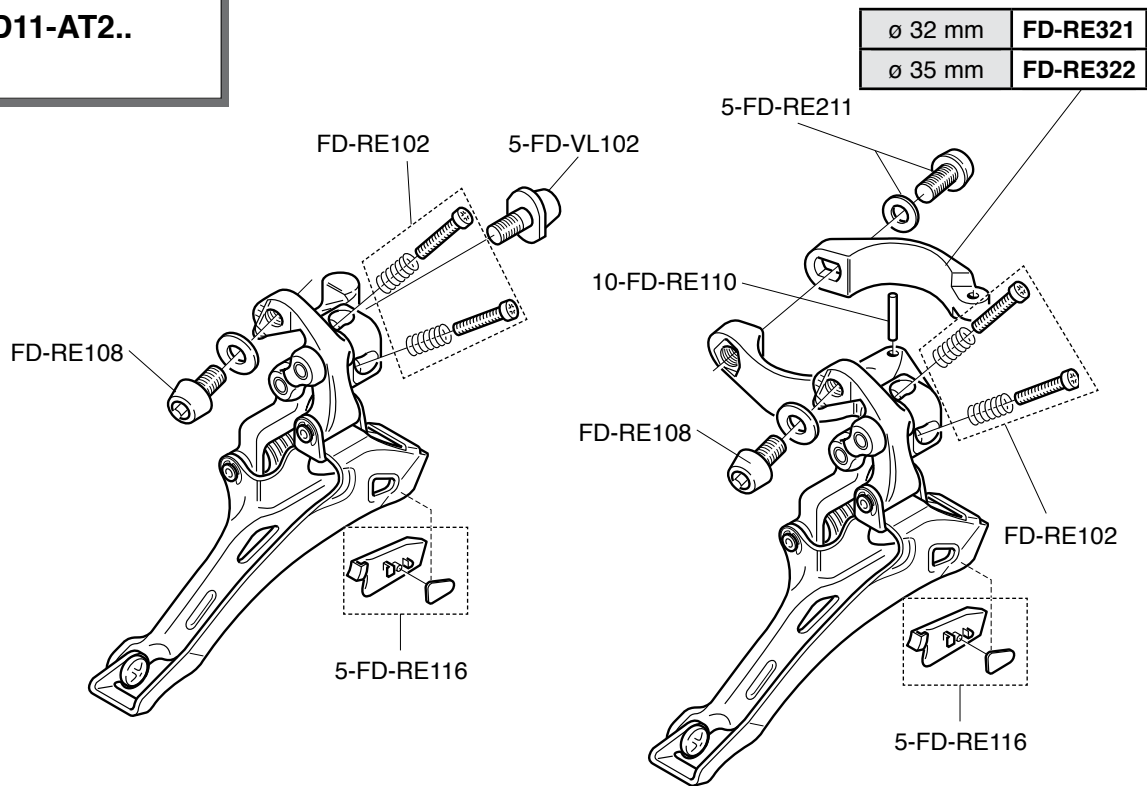
**FRONT DERAILLEUR**

**CHORUS™ 11s**  
**FD11-CH2..**



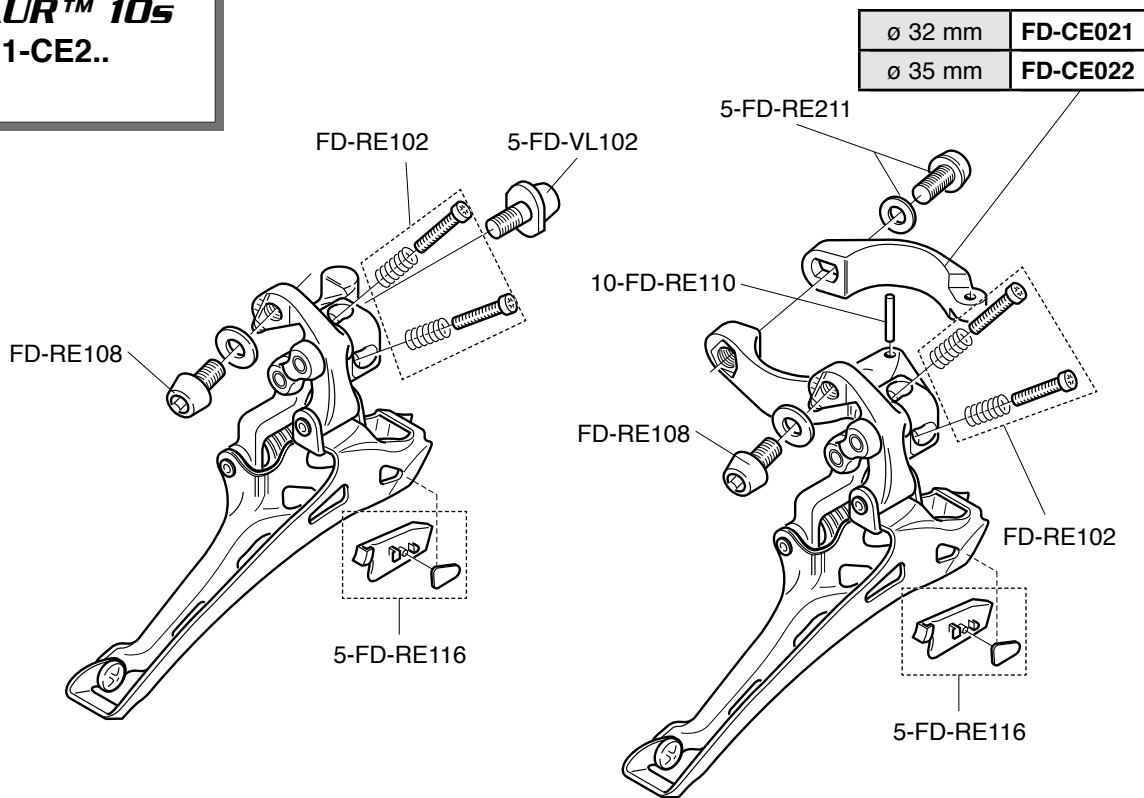
ø 32 mm	FD-RE321
ø 35 mm	FD-RE322

**ATHENA™ 11s**  
**FD11-AT2..**

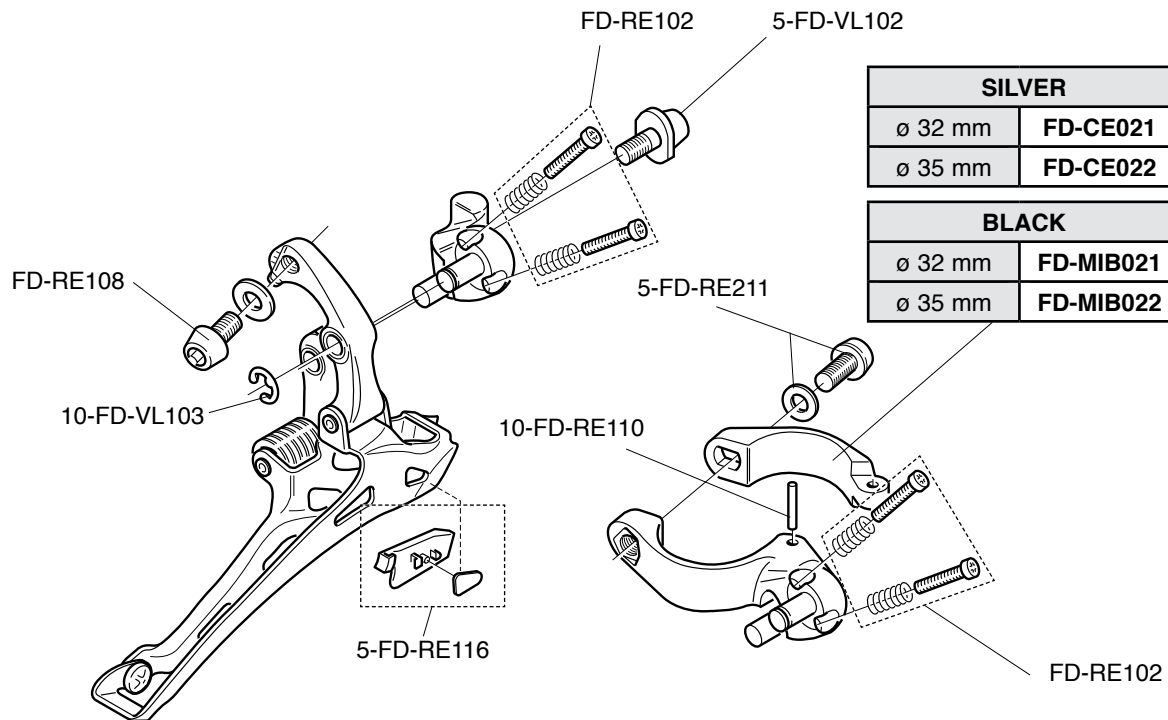




## CENTAUR™ 10s FD11-CE2..



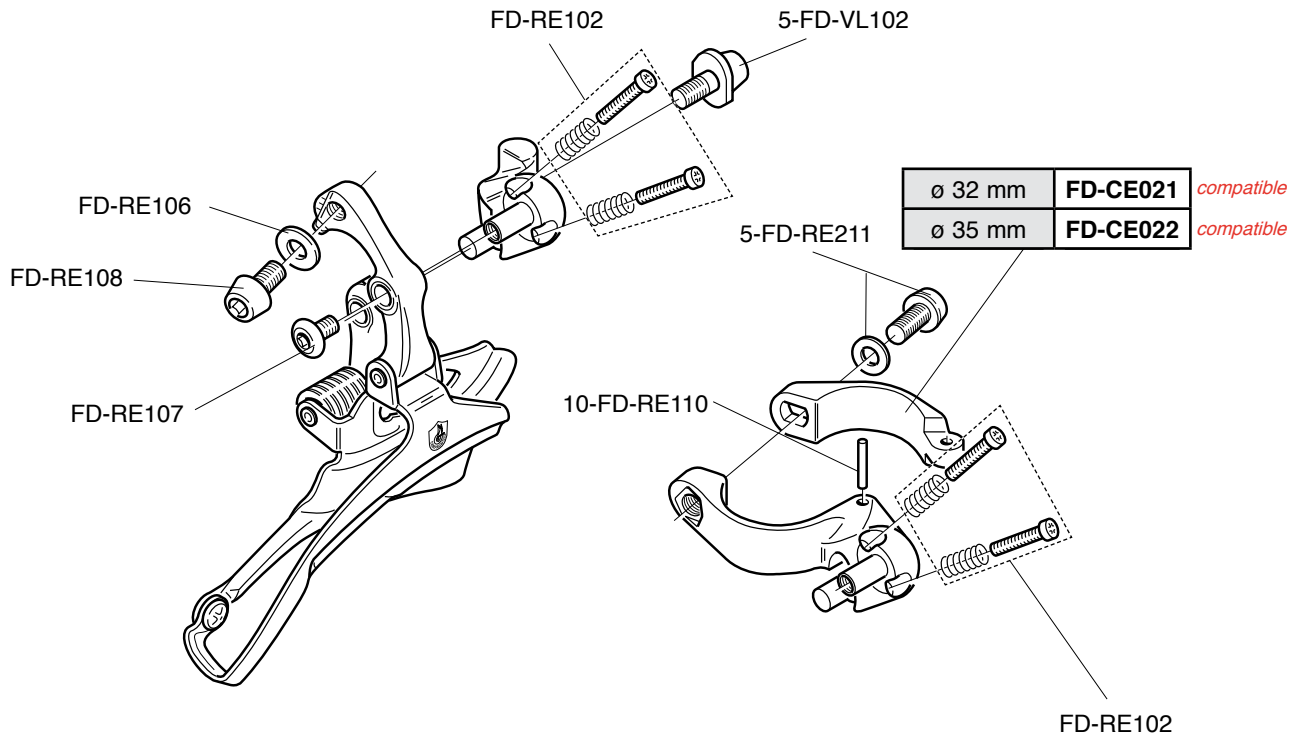
**VELOCE™ 10s**  
**FD11-VL2..**



SILVER	
ø 32 mm	<b>FD-CE021</b>
ø 35 mm	<b>FD-CE022</b>
BLACK	
ø 32 mm	<b>FD-MIB021</b>
ø 35 mm	<b>FD-MIB022</b>

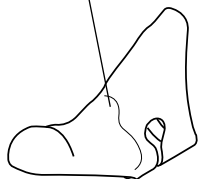
*compatible*  
*compatible*

**COMP TRIPLE™**  
**10s**  
**FD7-CO3..**



**SUPER RECORD™  
ULTRA-SHIFT™ 115  
EP11-SR1C**

BLACK	WHITE	RED
EC-SR500 (R+L)	EC-SR500W (R+L)	EC-SR500R (R+L)



EC-SR103 (2 pcs)

(only left)  
R: EC-SR060  
L: EC-SR061

(only left)  
EC-SR007

R: EC-SR004  
L: EC-SR005

R: EC-SR100  
L: EC-SR101

(insert for big hands)  
EC-SR040 (R+L)

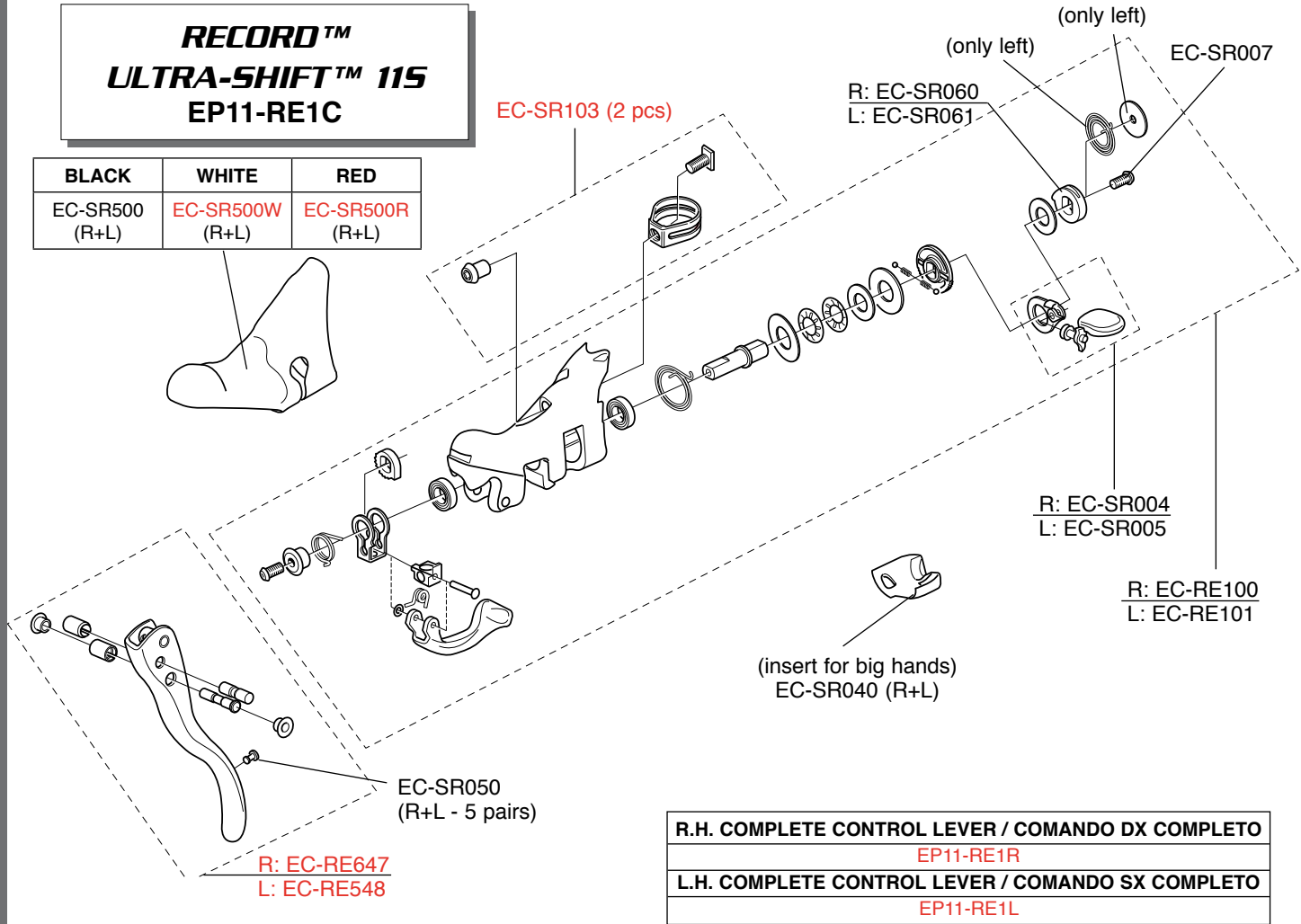
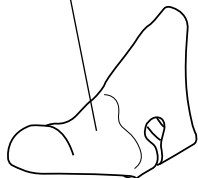
EC-SR050  
(R+L - 5 pairs)

R: EC-SR147  
L: EC-SR148

<b>R.H. COMPLETE CONTROL LEVER / COMANDO DX COMPLETO</b>
EP11-SR1R
<b>L.H. COMPLETE CONTROL LEVER / COMANDO SX COMPLETO</b>
EP11-SR1L

**RECORD™  
ULTRA-SHIFT™ 11S  
EP11-RE1C**

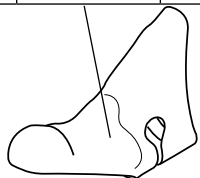
BLACK	WHITE	RED
EC-SR500 (R+L)	EC-SR500W (R+L)	EC-SR500R (R+L)



<b>R.H. COMPLETE CONTROL LEVER / COMANDO DX COMPLETO</b>
<b>EP11-RE1R</b>
<b>L.H. COMPLETE CONTROL LEVER / COMANDO SX COMPLETO</b>
<b>EP11-RE1L</b>

**CHORUS™  
ULTRA-SHIFT™ 115  
EP11-CH1C**

BLACK	WHITE	RED
EC-SR500 (R+L)	EC-SR500W (R+L)	EC-SR500R (R+L)



EC-SR103 (2 pcs)

R: EC-SR060  
L: EC-SR061

(only left)

(only left)

EC-SR007

R: EC-SR004  
L: EC-SR005

R: EC-RE100  
L: EC-RE101

(insert for big hands)  
EC-SR040 (R+L)

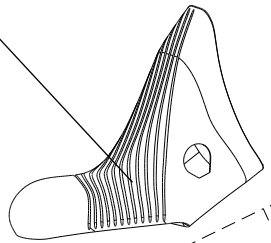
EC-SR050  
(R+L - 5 pairs)

R: EC-CH747  
L: EC-CH648

R.H. COMPLETE CONTROL LEVER / COMANDO DX COMPLETO
EP11-CH1R
L.H. COMPLETE CONTROL LEVER / COMANDO SX COMPLETO
EP11-CH1L

**ATHENA™  
POWER-SHIFT™ 115  
EP11-AT1C - EP11-AT1CC**

BLACK	WHITE	RED
EC-AT500B (R+L)	EC-AT500W (R+L)	EC-AT500R (R+L)



EC-SR050  
(R+L - 5 pairs)

R: EC-AT547 (C) - EC-AT647 (A)  
L: EC-AT548 (C) - EC-AT648 (A)

EC-SR103 (2 pcs)

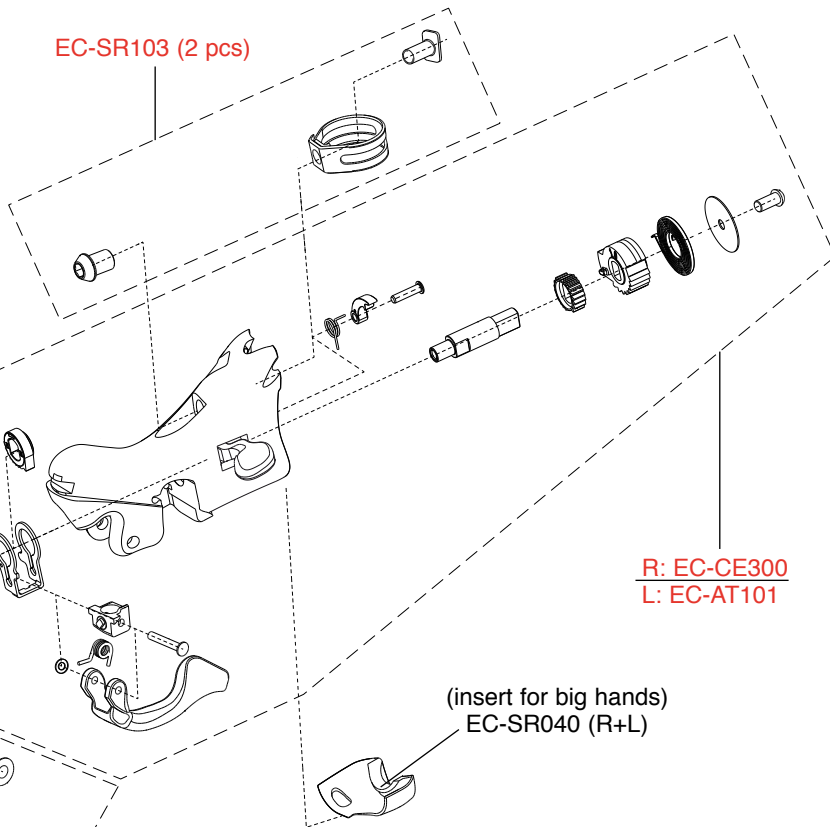
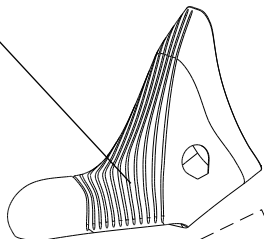
R: EC-AT100 (C) - EC-AT200 (A)  
L: EC-AT101 (C) - EC-AT201 (A)

(insert for big hands)  
EC-SR040 (R+L)

<b>R.H. COMPLETE CONTROL LEVER / COMANDO DX COMPLETO</b>
EP11-AT1R (Aluminium) - EP11-AT1CR (Carbon)
<b>L.H. COMPLETE CONTROL LEVER / COMANDO SX COMPLETO</b>
EP11-AT1L (Aluminium) - EP11-AT1CL (Carbon)

**CENTAUR™**  
**POWER-SHIFT™ 10s**  
**EP11-CEXC - EP11-CEXCC**

BLACK	WHITE	RED
EC-AT500B (R+L)	EC-AT500W (R+L)	EC-AT500R (R+L)



EC-SR103 (2 pcs)

R: EC-CE300  
 L: EC-AT101

(insert for big hands)  
 EC-SR040 (R+L)

EC-SR050  
 (R+L - 5 pairs)

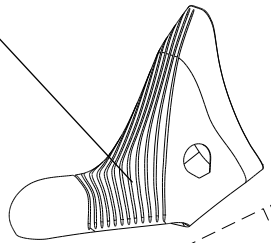
R: EC-CE647 (C) - EC-CE747 (A)  
 L: EC-CE648 (C) - EC-CE748 (A)

<b>R.H. COMPLETE CONTROL LEVER / COMANDO DX COMPLETO</b>
EP11-CEXR (A) - EP11-CEXCR (C)
<b>L.H. COMPLETE CONTROL LEVER / COMANDO SX COMPLETO</b>
EP11-CEXL (A) - EP11-CEXCL (C)



**VELOCE™  
POWER-SHIFT™ 10s  
EP11-VLBXC - EP11-VLSXC**

BLACK	WHITE	RED
EC-AT500B (R+L)	EC-AT500W (R+L)	EC-AT500R (R+L)



EC-SR050  
(R+L - 5 pairs)

EC-SR103 (2 pcs)

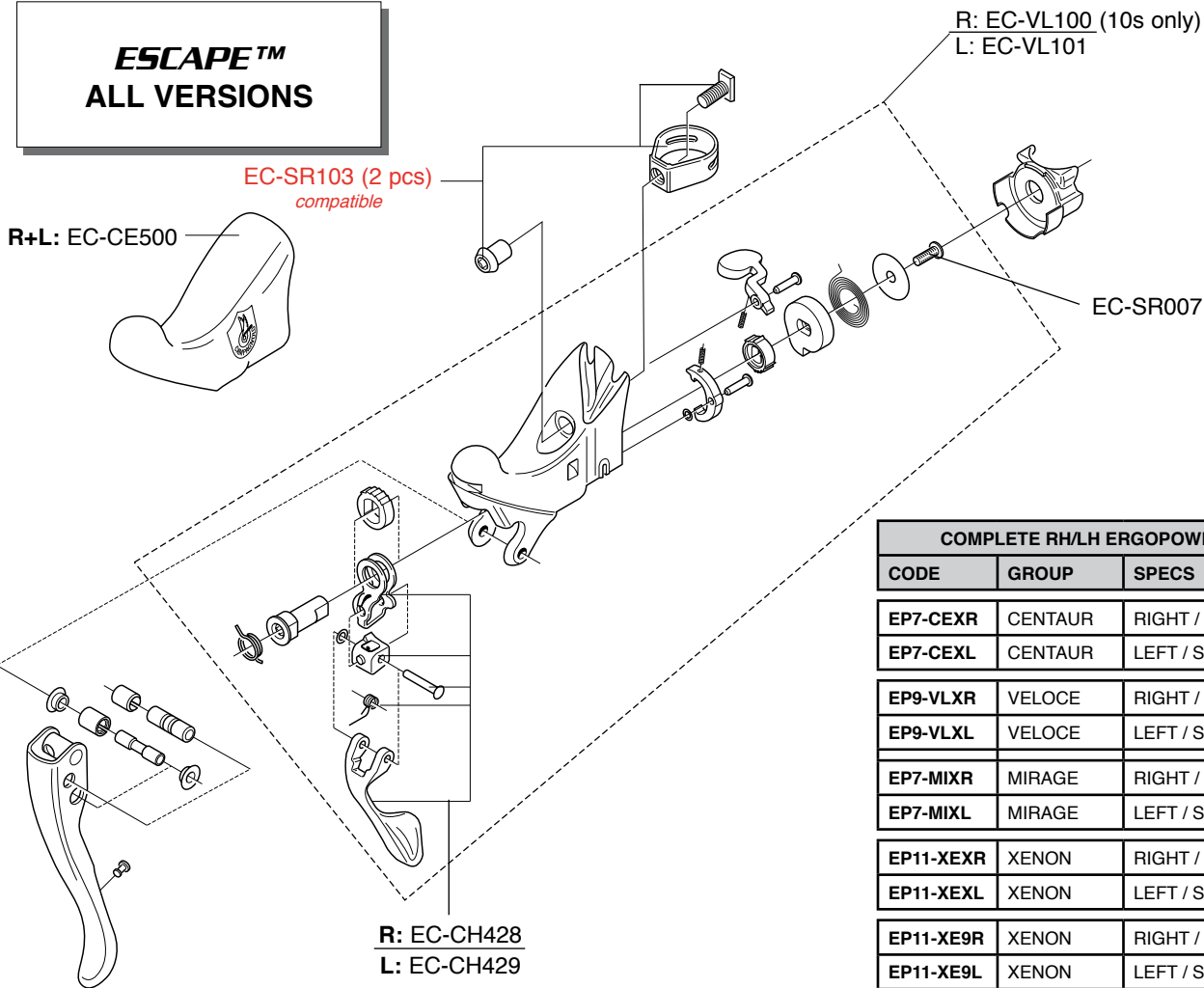
R: EC-CE300  
L: EC-AT101

(insert for big hands)  
EC-SR040 (R+L)

R: EC-VL047B (B) - EC-VL047S (S)  
L: EC-VL048B (B) - EC-VL048S (S)

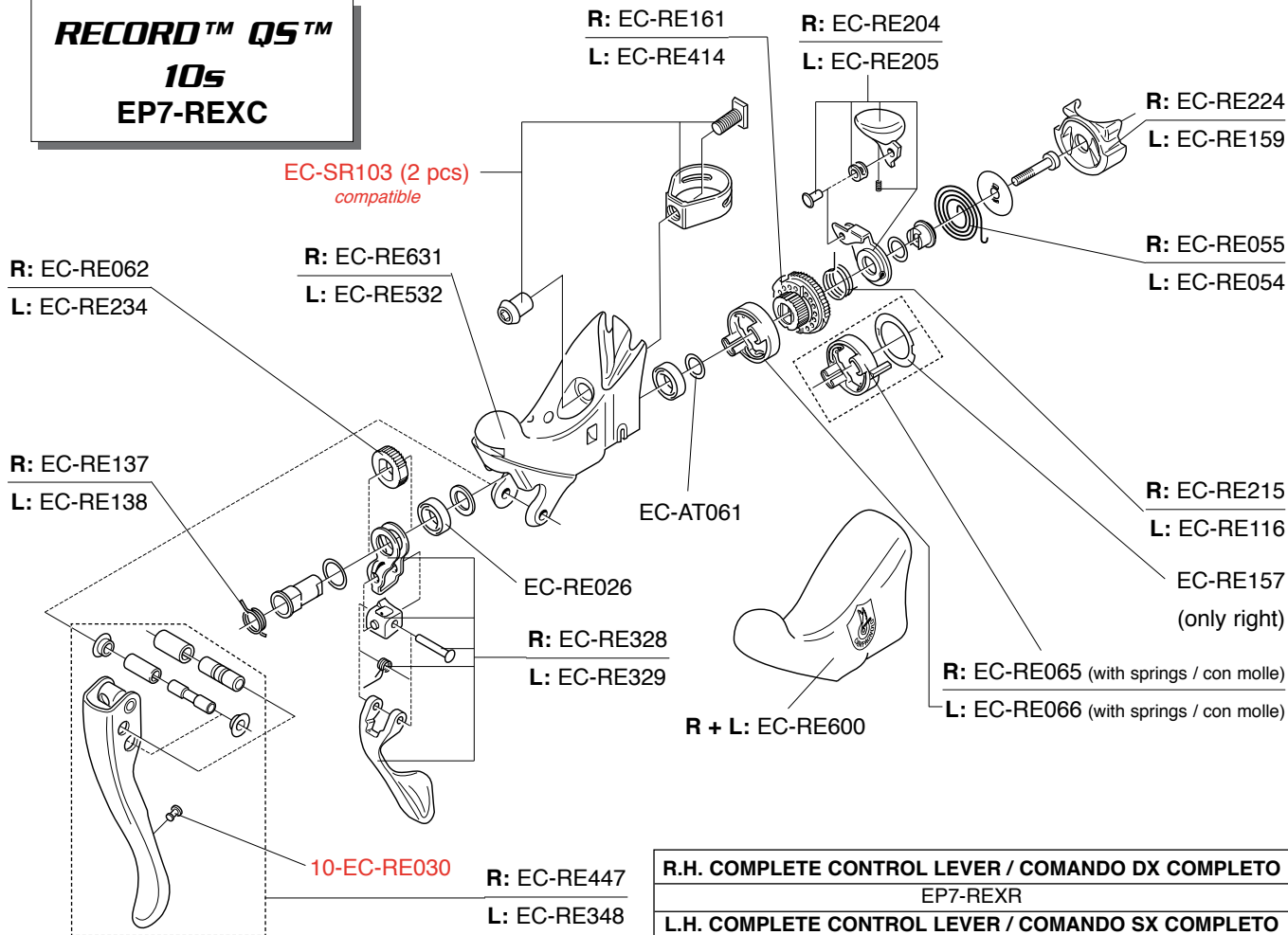
<b>R.H. COMPLETE CONTROL LEVER / COMANDO DX COMPLETO</b>
EP11-VLBXR (BLACK) - EP11-VLSXR (SILVER)
<b>L.H. COMPLETE CONTROL LEVER / COMANDO SX COMPLETO</b>
EP11-VLBXL (BLACK) - EP11-VLSXL (SILVER)

**ESCAPE™  
ALL VERSIONS**



COMPLETE RH/LH ERGOPOWER		
CODE	GROUP	SPECS
EP7-CEXR	CENTAUR	RIGHT / DX 10S
EP7-CEXL	CENTAUR	LEFT / SX
EP9-VLXR	VELOCE	RIGHT / DX 10S
EP9-VLXL	VELOCE	LEFT / SX
EP7-MIXR	MIRAGE	RIGHT / DX 10S
EP7-MIXL	MIRAGE	LEFT / SX
EP11-XEXR	XENON	RIGHT / DX 10S
EP11-XEYL	XENON	LEFT / SX
EP11-XE9R	XENON	RIGHT / DX 9S
EP11-XE9L	XENON	LEFT / SX

**RECORD™ QS™  
10s  
EP7-REXC**



<b>R.H. COMPLETE CONTROL LEVER / COMANDO DX COMPLETO</b>
EP7-REXR
<b>L.H. COMPLETE CONTROL LEVER / COMANDO SX COMPLETO</b>
EP7-REXL

**CHORUS™ QS™**  
**10s**  
**EP7-CHXC**

R: EC-RE062  
 L: EC-RE234

R: EC-RE137  
 L: EC-RE138

EC-SR103 (2 pcs)  
*compatible*  
*compatible*  
 R: EC-RE631  
 L: EC-RE532  
*compatible*

R: EC-RE061  
 L: EC-RE314

R: EC-RE204  
 L: EC-RE205

R: EC-RE224  
 L: EC-RE159

R: EC-RE055  
 L: EC-RE054

R: EC-RE215  
 L: EC-RE116

EC-RE057  
 (only right)

R: 5-EC-RE111 (5 pcs.)  
 L: 5-EC-RE112 (5 pcs.)

R + L: EC-RE600

EC-AT061

EC-RE026

R: EC-CH428  
 L: EC-CH429

10-EC-RE030

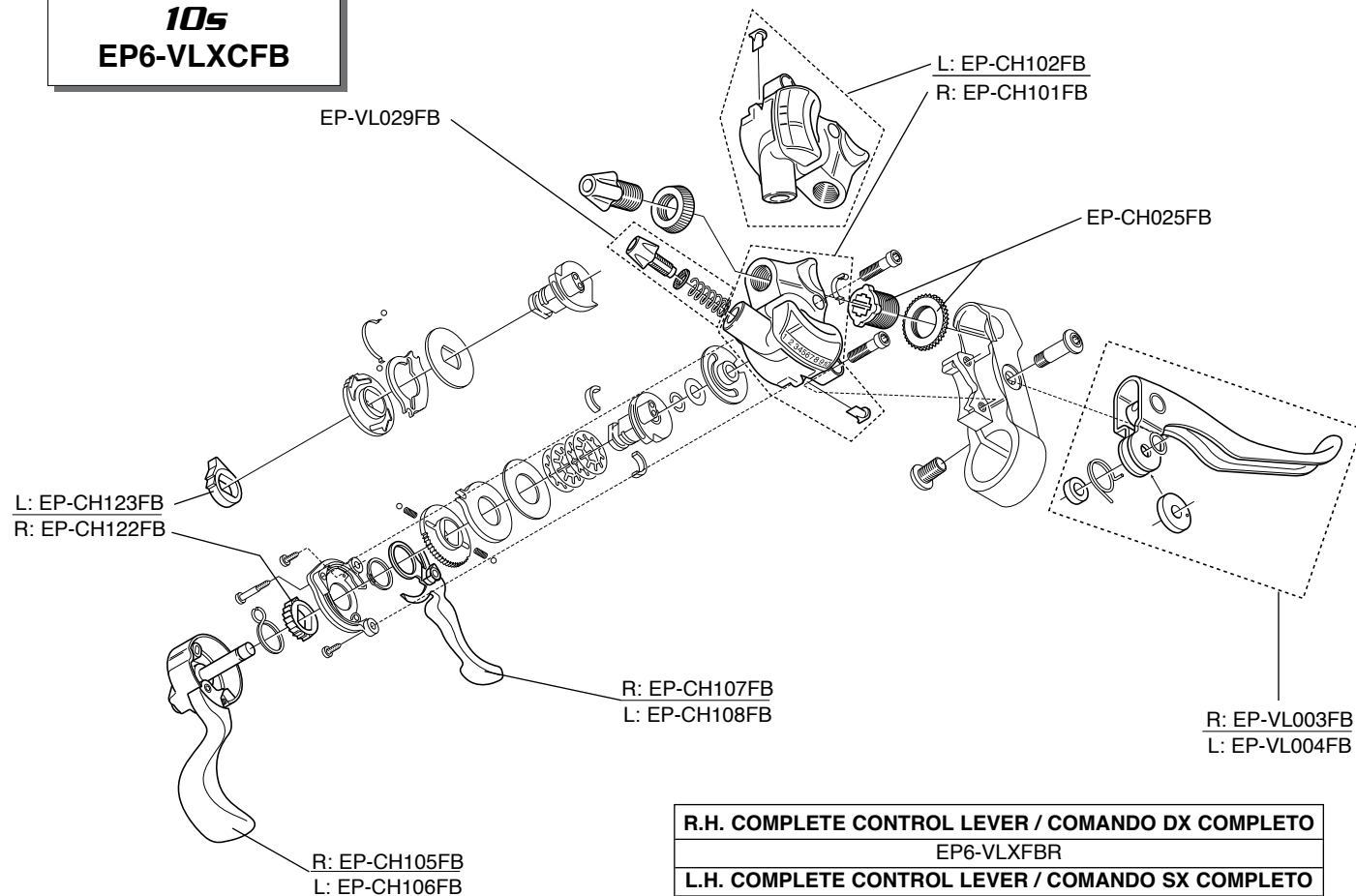
R: EC-CH547  
 L: EC-CH448

<b>R.H. COMPLETE CONTROL LEVER / COMANDO DX COMPLETO</b>
EP7-CHXR
<b>L.H. COMPLETE CONTROL LEVER / COMANDO SX COMPLETO</b>
EP7-CHXL

**CROSS COMPATIBILITY BETWEEN ERGOPOWER™ CONTROL LEVERS, FRONT AND REAR DERAILLEURS**
**COMPATIBILITA' INCROCIATA TRA COMANDI ERGOPOWER™, DERAGLIATORI E CAMBI**

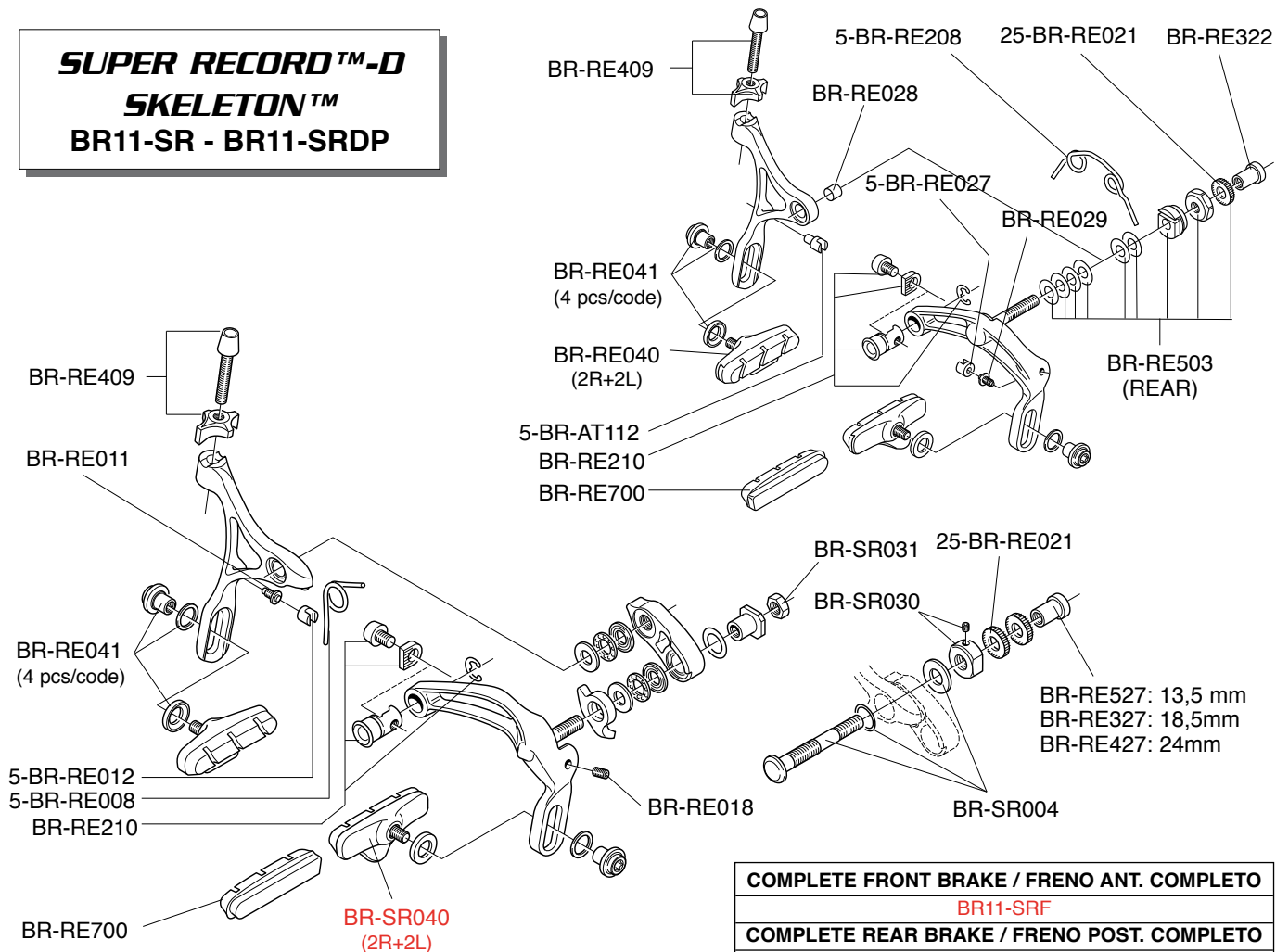
		FRONT DERAILLEUR					REAR DERAILLEUR				
		2010		2011			2010		2011		
		SR-R-CH-ATH	CE-VE	SR-R-CH	ATH	CE-VE	SR-R-CH-ATH	CE-VE	SR-R-CH	ATH	CE-VE
2010	Ultra-Shift 11s	OK	NO	OK	OK	NO	OK	NO	OK	OK	NO
	Ultra-Shift 10s	NO	OK	NO	NO	OK	NO	OK	NO	NO	NO
2011	Ultra-Shift 11s	OK	NO	FULL PERFORMANCE	OK	NO	OK	NO	FULL PERFORMANCE	OK	NO
	Power-Shift 11s	OK	NO	OK	FULL PERFORMANCE	NO	OK	NO	OK	FULL PERFORMANCE	NO
	Power-Shift 10s	NO	OK	NO	NO	FULL PERFORMANCE	NO	NO	NO	NO	FULL PERFORMANCE

**VELOCE™ FB**  
**10s**  
**EP6-VLXCFB**



<b>R.H. COMPLETE CONTROL LEVER / COMANDO DX COMPLETO</b>
EP6-VLXFBR
<b>L.H. COMPLETE CONTROL LEVER / COMANDO SX COMPLETO</b>
EP6-VLXFBL

**SUPER RECORD™-D**  
**SKELETON™**  
**BR11-SR - BR11-SRDP**



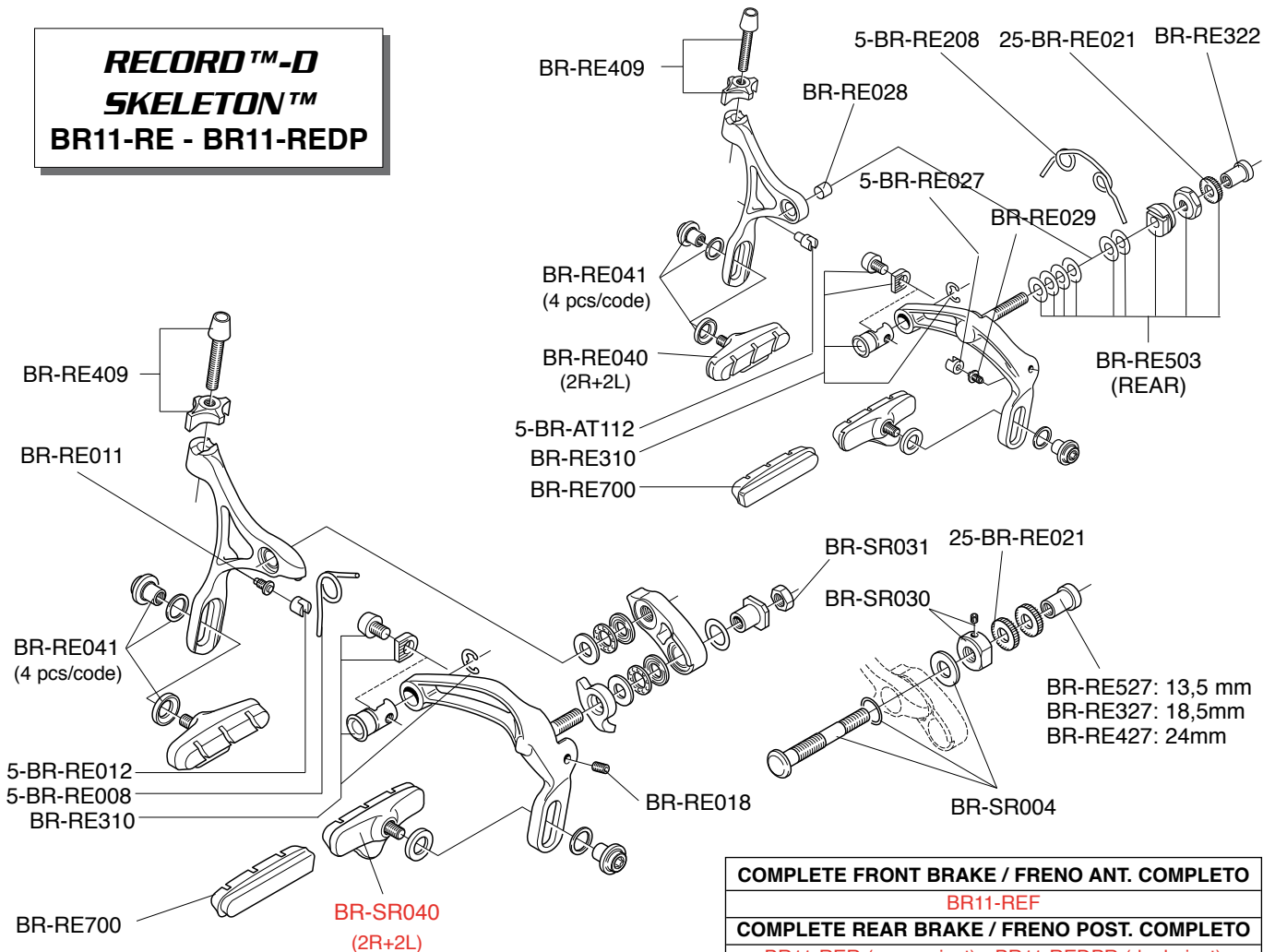
**COMPLETE FRONT BRAKE / FRENO ANT. COMPLETO**

**BR11-SRF**

**COMPLETE REAR BRAKE / FRENO POST. COMPLETO**

**BR11-SRR (mono pivot) - BR11-SRDP (dual pivot)**

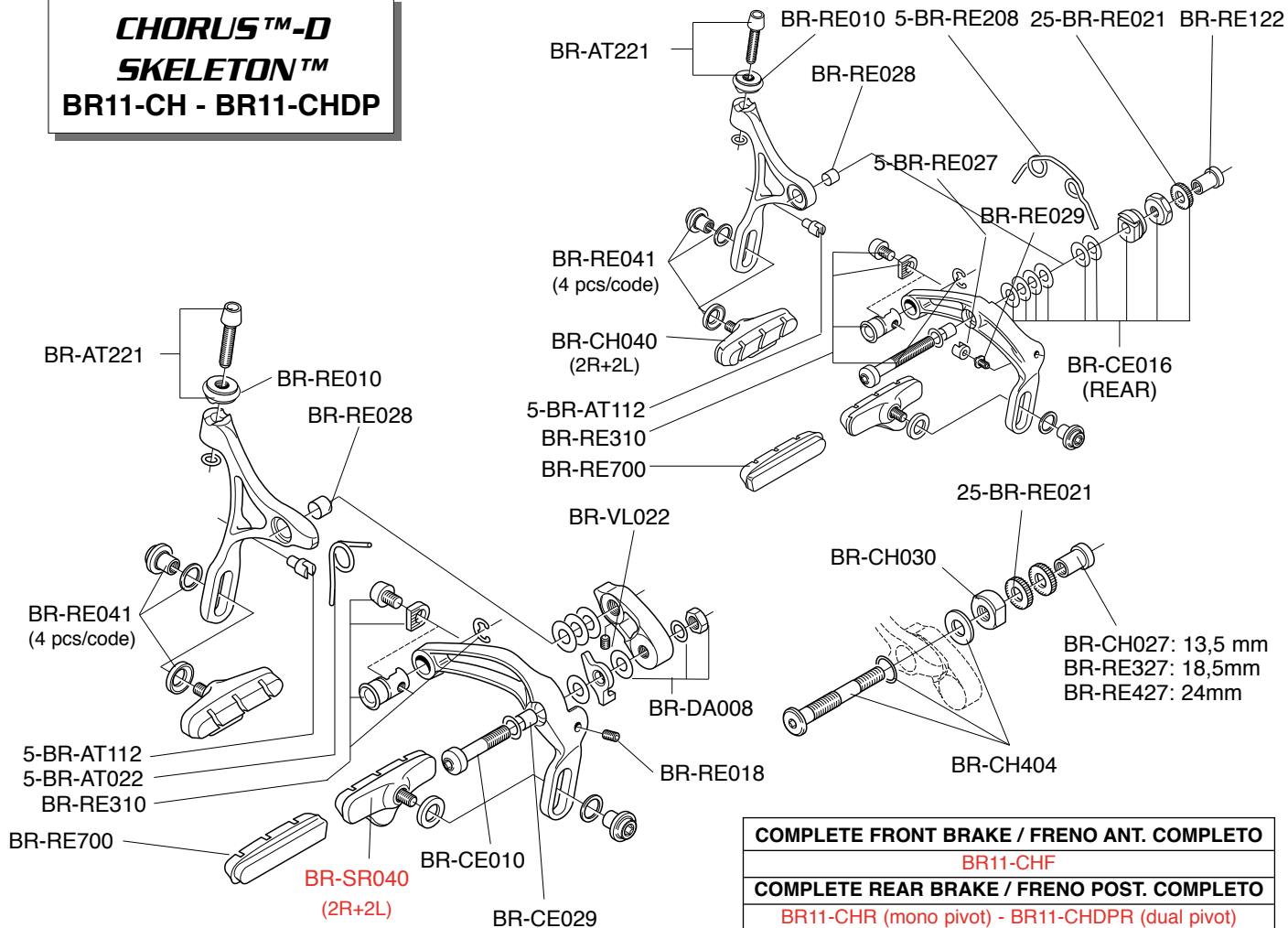
**RECORD™-D**  
**SKELETON™**  
**BR11-RE - BR11-REDP**



<b>COMPLETE FRONT BRAKE / FRENO ANT. COMPLETO</b>
<b>BR11-REF</b>
<b>COMPLETE REAR BRAKE / FRENO POST. COMPLETO</b>
<b>BR11-RER (mono pivot) - BR11-REDPR (dual pivot)</b>

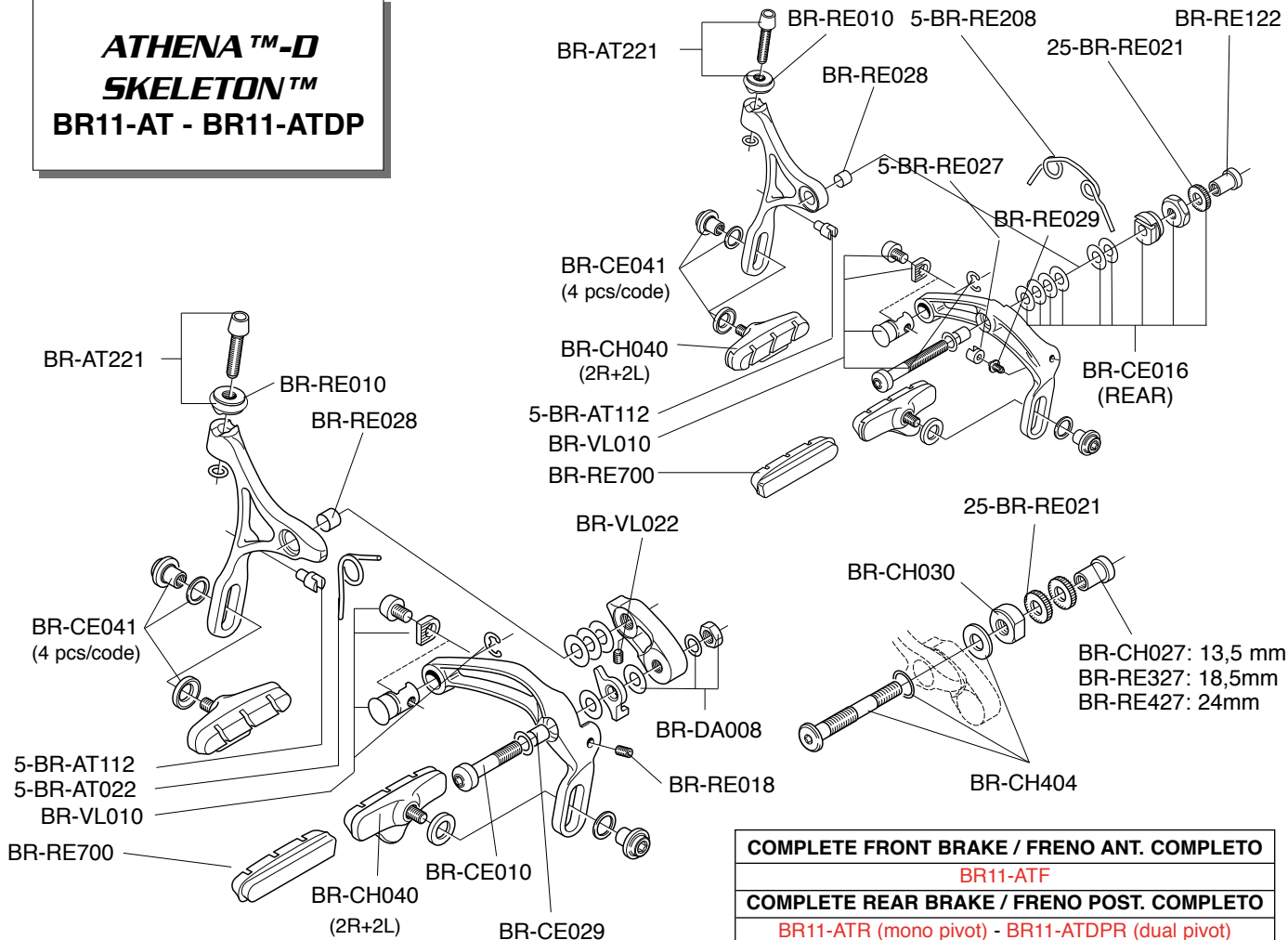


**CHORUS™-D**  
**SKELETON™**  
**BR11-CH - BR11-CHDP**



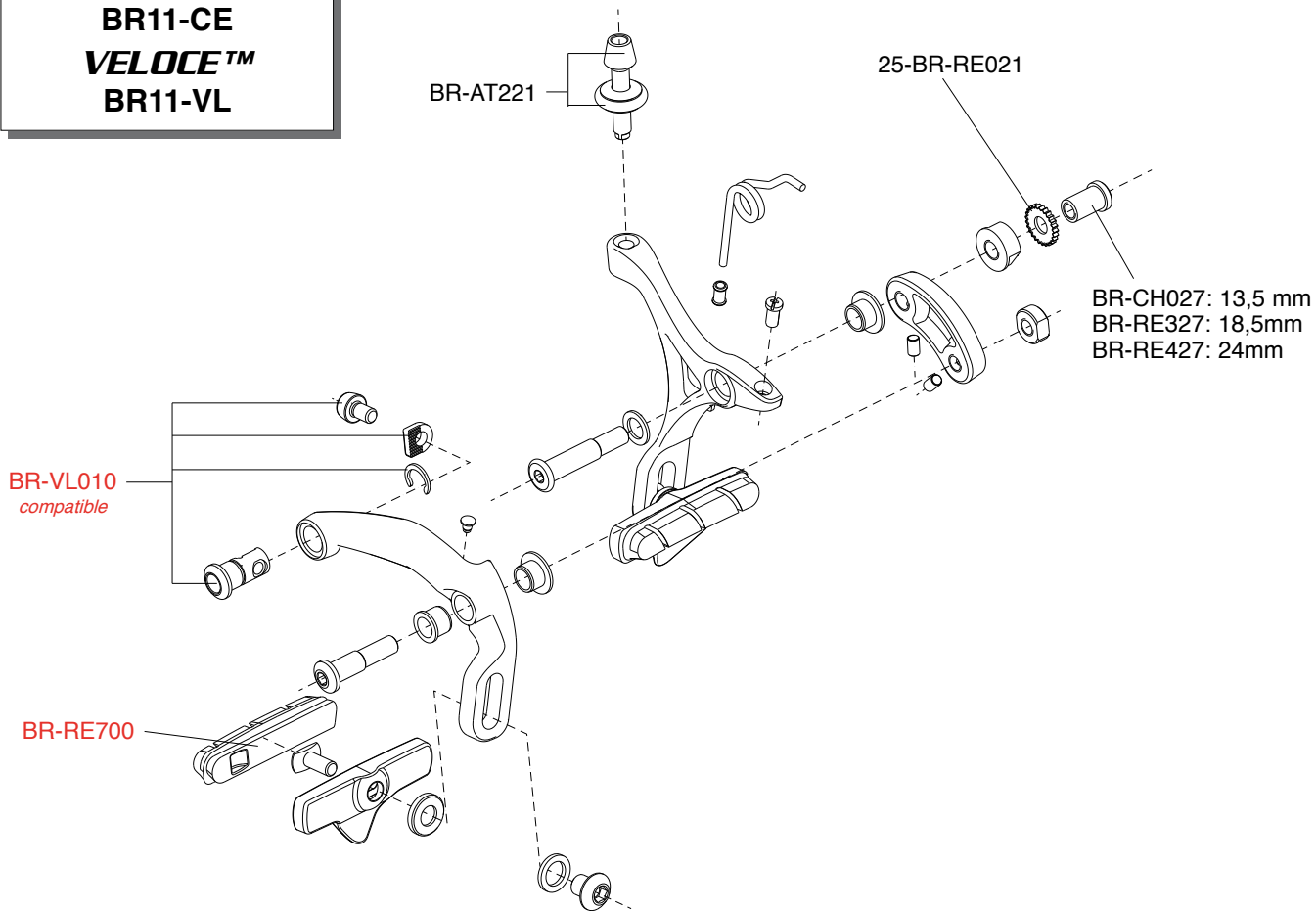
<b>COMPLETE FRONT BRAKE / FRENO ANT. COMPLETO</b>
<b>BR11-CHF</b>
<b>COMPLETE REAR BRAKE / FRENO POST. COMPLETO</b>
<b>BR11-CHR (mono pivot) - BR11-CHDPR (dual pivot)</b>

**ATHENA™-D**  
**SKELETON™**  
**BR11-AT - BR11-ATDP**



<b>COMPLETE FRONT BRAKE / FRENO ANT. COMPLETO</b>
<b>BR11-ATF</b>
<b>COMPLETE REAR BRAKE / FRENO POST. COMPLETO</b>
<b>BR11-ATR (mono pivot) - BR11-ATDPR (dual pivot)</b>

**CENTAUR™**  
**BR11-CE**  
**VELOCE™**  
**BR11-VL**



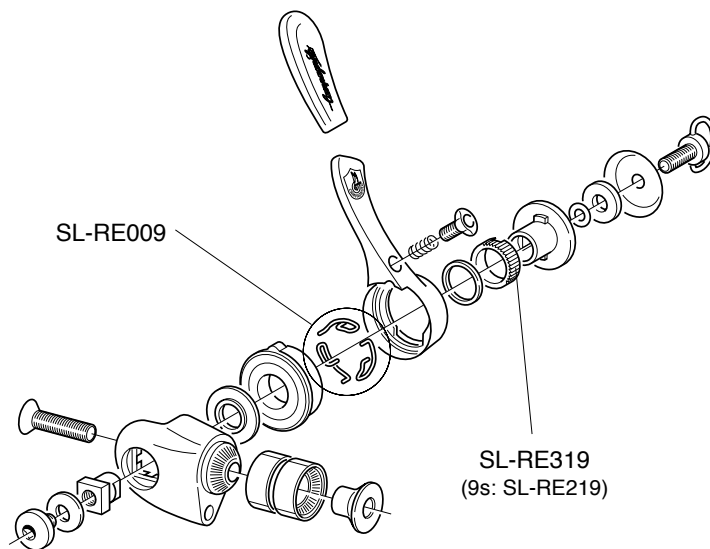
**BAR-END 10s**  
**SL00-BE10CG**

**R.H. COMPLETE CONTROL LEVER / COMANDO DX COMPLETO**

SL00-BE10R

**L.H. COMPLETE CONTROL LEVER / COMANDO SX COMPLETO**

SL99-BE09L



**RECORD™**  
**Carbon**  
**BL01-RECGC**

<b>R.H. COMPLETE / DX COMPLETO</b>
BL01-RECR
<b>L.H. COMPLETE / SX COMPLETO</b>
BL01-RECL

**EC-SR103 (2 pcs)**  
*compatible*

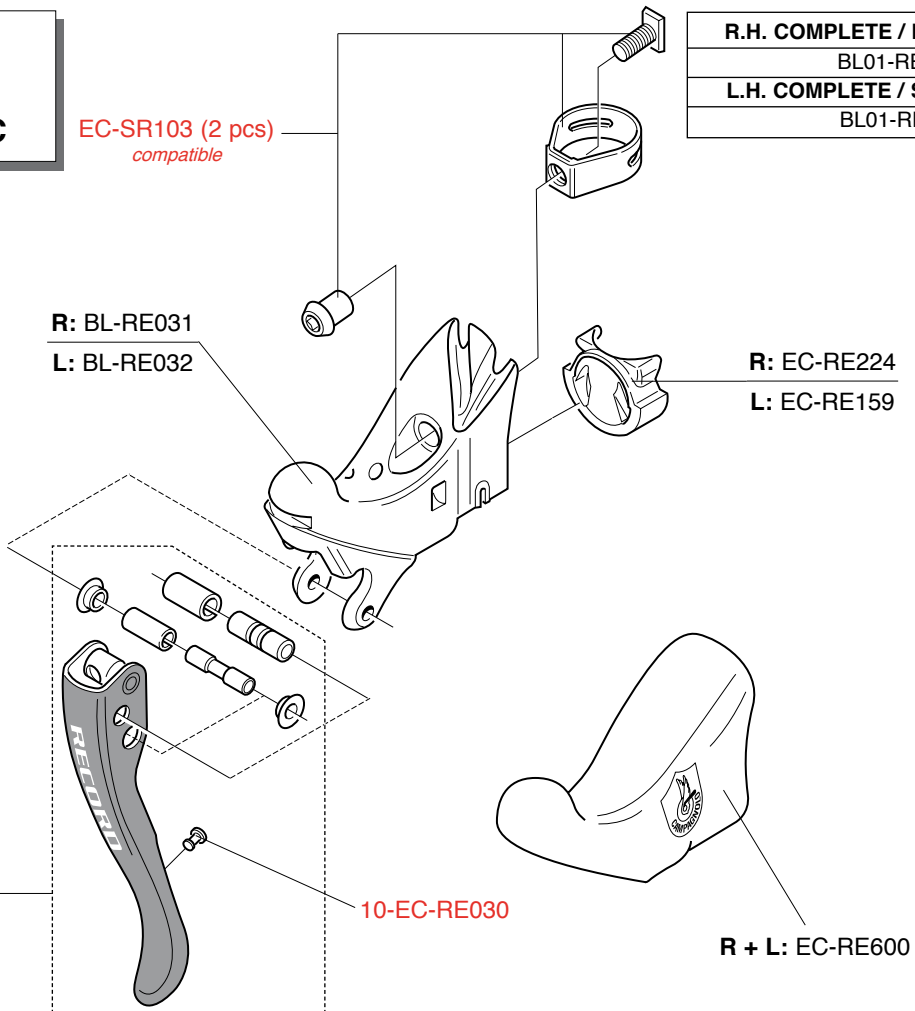
**R: BL-RE031**  
**L: BL-RE032**

**R: EC-RE224**  
**L: EC-RE159**

**R: EC-RE447**  
**L: EC-RE348**

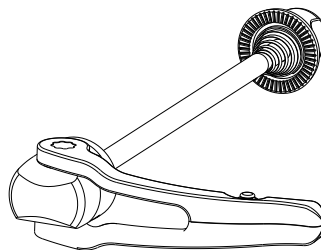
**10-EC-RE030**

**R + L: EC-RE600**

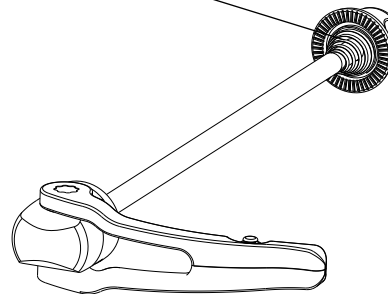


**QR11-20BFR**

**(front + rear)**

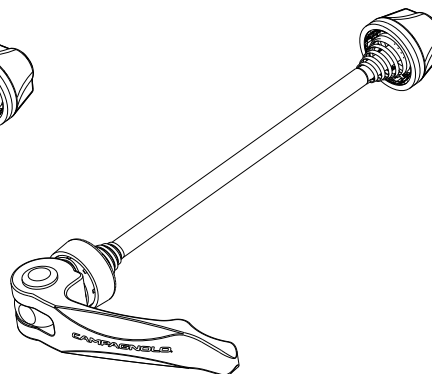
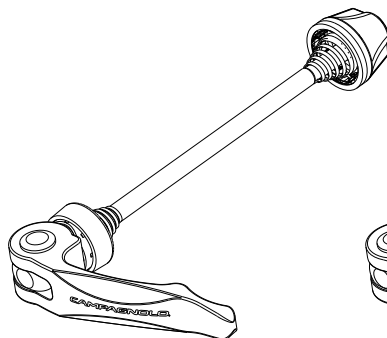


8-QF-RE108

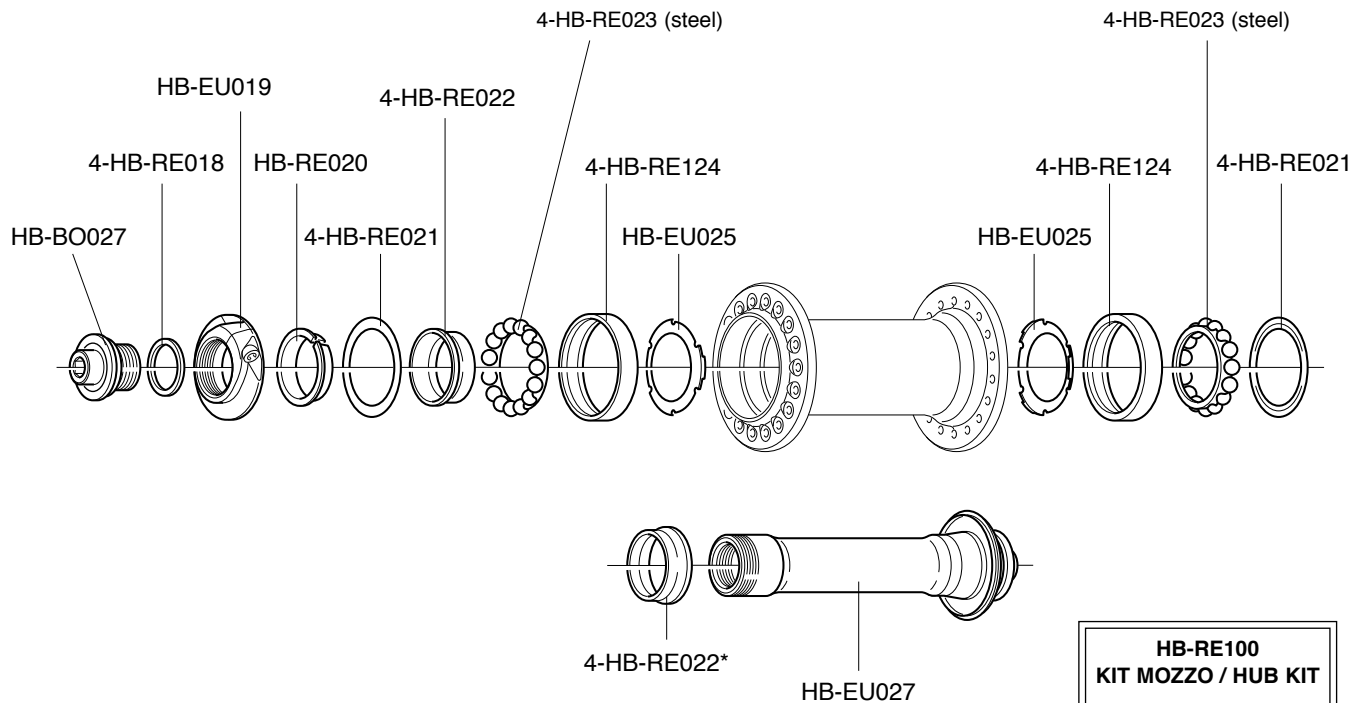


**QR8-40BFR**

**(front + rear)**



## **RECORD™** **HB7-RE2**



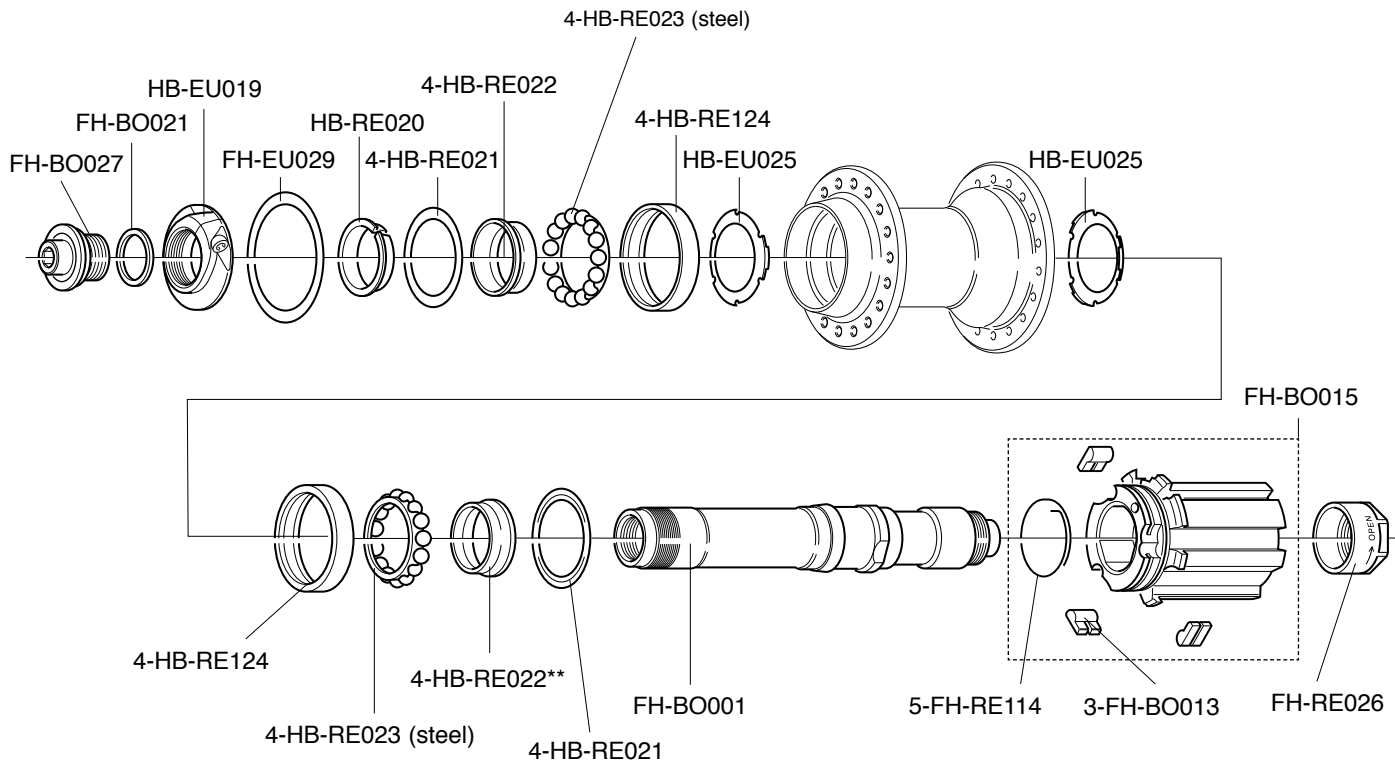
### **HB-RE100** **KIT MOZZO / HUB KIT**

- 2 x HB-RE021
- 2 x HB-RE022
- 2 x HB-RE124
- 2 x HB-RE023

**RECORD™**  
**9s/10s/11s**  
**FH7-RE2**

**HB-RE100**  
**KIT MOZZO / HUB KIT**

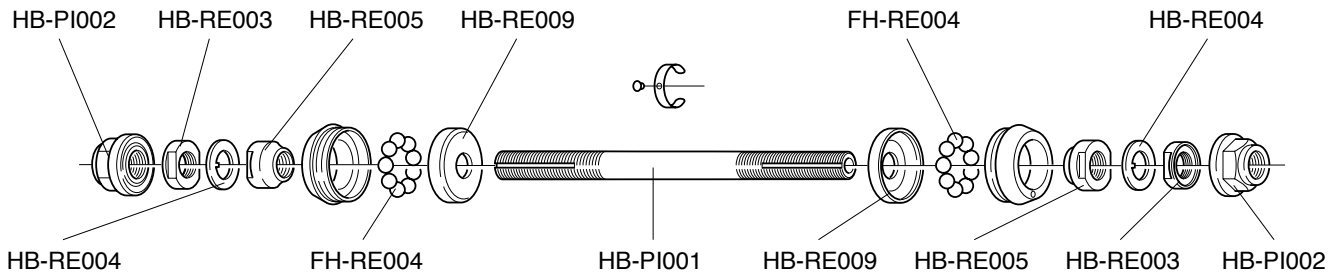
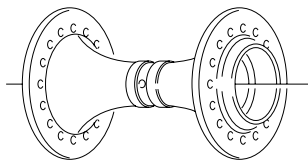
- 2 x HB-RE021
- 2 x HB-RE022
- 2 x HB-RE124
- 2 x HB-RE023



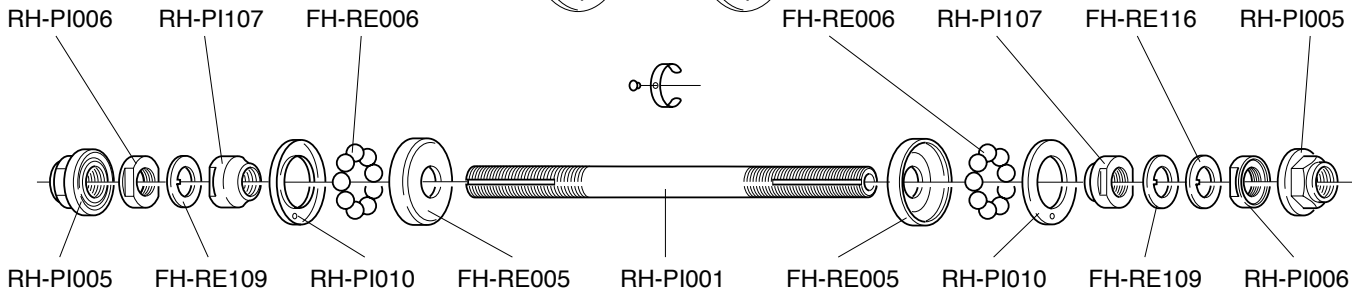
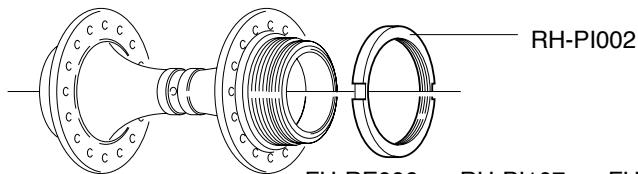
**REAR HUB**




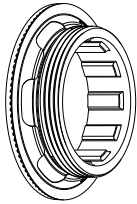
**RECORD™  
PISTA™  
HB02-REPI..**



**RECORD™  
PISTA™  
FH02-REPI..**

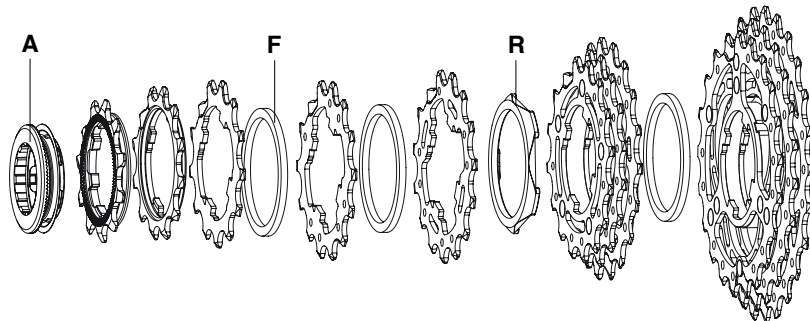


# GHIERE / LOCKRINGS / ECROUS / VERSCHLUSSRING

	CODE CODICE	TYPE TIPO	RANGE GAMMA	HUB COMPATIBILITY COMPATIBILITÀ MOZZI	
	<b>CS-401</b>	<i>9s / 10s</i> "oversize" thread/fil.: 27 x 1	steel / acciaio	2000 e succ. <b>2000 and following</b>	<b>all groups / tutti i gruppi</b> all wheels / tutte le ruote
				<b>1999</b>	<b>RECORD™ - CHORUS™</b> all wheels / tutte le ruote
	<b>CS-501</b>	<i>9s / 10s</i> "oversize" thread/fil.: 27 x 1	steel / acciaio (for Z. 11)	2000 e succ. <b>2000 and following</b>	<b>all groups / tutti i gruppi</b> all wheels / tutte le ruote
				<b>1999</b>	<b>RECORD™ - CHORUS™</b> all wheels / tutte le ruote
<b>CS-701</b>	<b>for sprockets/ per pignoni HG 10s</b> thread/fil.: 27 x 1	steel / acciaio	2007-2008	all Campagnolo® wheels with HG 10 type FW body / tutte le ruote Campagnolo® con corpetto RL tipo HG 10	
<b>CS-801</b>	<b>for sprockets/ per pignoni HG 10s</b> thread/fil.: 27 x 1	steel / acciaio (for Z. 11)	2007-2008	all Campagnolo® wheels with HG 10 type FW body / tutte le ruote Campagnolo® con corpetto RL tipo HG 10	
	<b>CS-112</b>	<i>11<sup>™</sup></i> <b>SPEED</b> <i>only</i> thread/fil.: 27 x 1	alloy / alluminio	2009	<b>only 11s sprocket sets / solo pacchi pignoni 11s</b>
	<b>CS-111</b>	<i>11<sup>™</sup></i> <b>SPEED</b> <i>only</i> thread/fil.: 27 x 1	alloy / alluminio (for Z. 11)	2009	<b>only 11s sprocket sets / solo pacchi pignoni 11s</b>

**SUPER RECORD™**

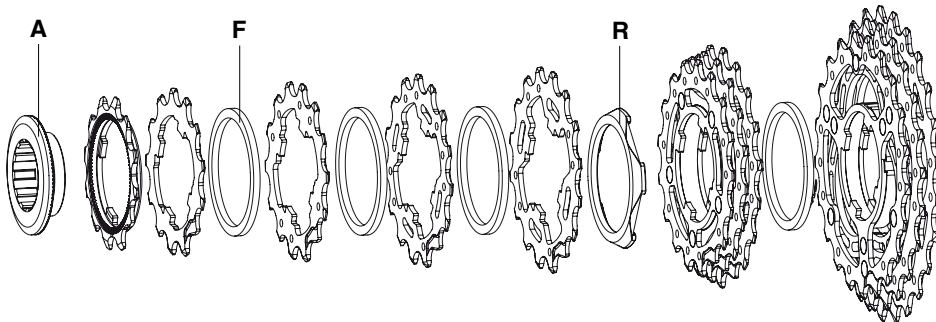
**11s**  
**CS9-SR1...**



\* pre-assembled

11-23	A	11A-1°	12A-2°	13A	F	14A	F	15A	R	16A-17A-18A*	F	19A-21A-23A*
		11S-011	11S-022	11S-131		11S-141		11S-151		11S-678T		11S-913T
11-25	A	11A-1°	12A-2°	13A	F	14A	F	15A	R	16A-17A-19B*	F	21B-23B-25B*
		11S-011	11S-022	11S-131		11S-141		11S-151		11S-679T		11S-135BT

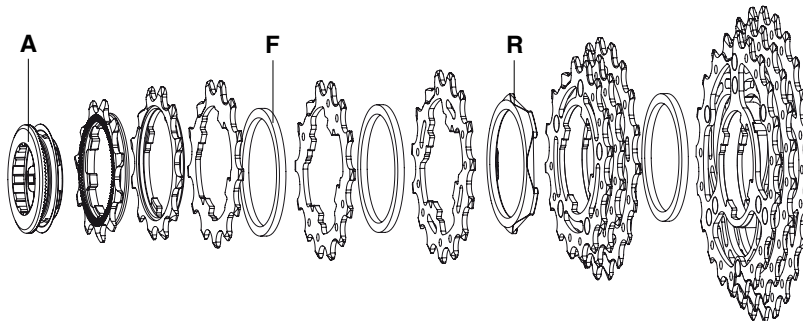
A	CS-112	<i>11s only</i>
	CS-111	<i>11s only</i> (for Z 11)
F	2-CS-612 (2 pcs)	2,2 mm
R	2-CS-712 (2 pcs)	2,3 mm



12-25	A	12A-1°	13A	F	14A	F	15A	F	16A	R	17A-18A-19A*	F	21A-23A-25A*
		11S-012	11S-131		11S-141		11S-151		11S-161		11S-789T		11S-135AT
12-27	A	12A-1°	13A	F	14A	F	15A	F	16A	R	17A-19B-21B*	F	23B-25B-27B*
		11S-012	11S-131		11S-141		11S-151		11S-161		11S-791T		11S-357T
12-29	A	12A-1°	13A	F	14A	F	15A	F	16A	R	17A-19B-21B*	F	23B-26C-29C*
		11S-012	11S-131		11S-141		11S-151		11S-161		11S-791T		11S-369T

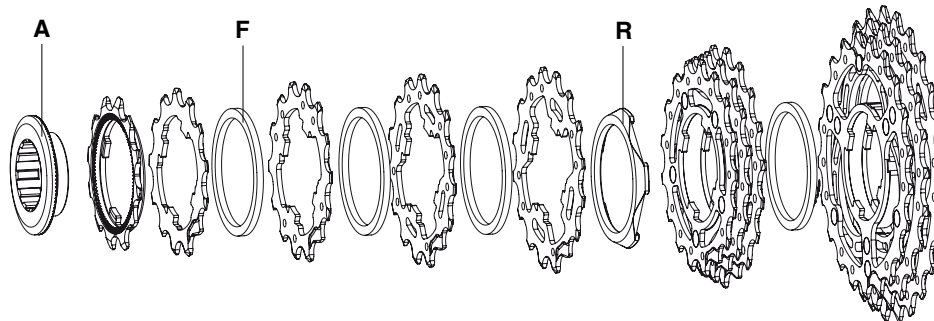
**RECORD™**  
**11s**  
**CS9-RE1...**

\* pre-assembled



11-23	A	11A-1°	12A-2°	13A	F	14A	F	15A	R	16A-17A-18A*	F	19A-21A-23A*
		11S-011	11S-022	11S-131		11S-141		11S-151		11S-678		11S-913T
11-25	A	11A-1°	12A-2°	13A	F	14A	F	15A	R	16A-17A-19B*	F	21B-23B-25B*
		11S-011	11S-022	11S-131		11S-141		11S-151		11S-679		11S-135BT

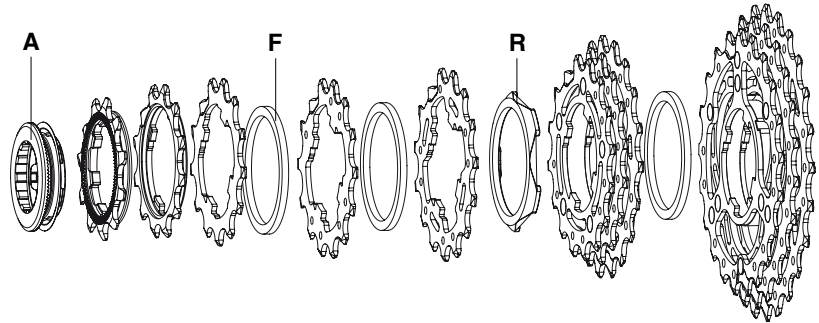
A	CS-112	11s only
	CS-111	11s only (for Z 11)
F	2-CS-612 (2 pcs)	2,2 mm
R	2-CS-712 (2 pcs)	2,3 mm



12-25	A	12A-1°	13A	F	14A	F	15A	F	16A	R	17A-18A-19A*	F	21A-23A-25A*
		11S-012	11S-131		11S-141		11S-151		11S-161		11S-789		11S-135AT
12-27	A	12A-1°	13A	F	14A	F	15A	F	16A	R	17A-19B-21B*	F	23B-25B-27B*
		11S-012	11S-131		11S-141		11S-151		11S-161		11S-791		11S-357T
12-29	A	12A-1°	13A	F	14A	F	15A	F	16A	R	17A-19B-21B*	F	23B-26C-29C*
		11S-012	11S-131		11S-141		11S-151		11S-161		11S-791		11S-369T

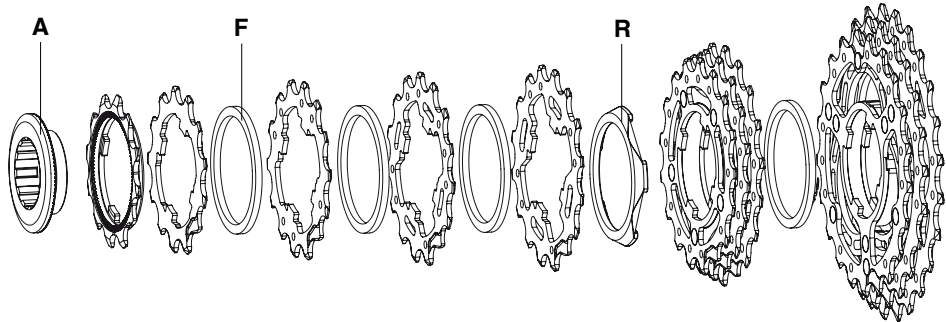
## CHORUS™ 11s CS9-CH1...

\* pre-assembled



11-23	A	11A-1°	12A-2°	13A	F	14A	F	15A	R	16A-17A-18A*	F	19A-21A-23A*
		11S-011	11S-022	11S-131		11S-141		11S-151		11S-678		11S-913
11-25	A	11A-1°	12A-2°	13A	F	14A	F	15A	R	16A-17A-19B*	F	21B-23B-25B*
		11S-011	11S-022	11S-131		11S-141		11S-151		11S-679		11S-135B

A	CS-112	11s only
	CS-111	11s only (for Z 11)
F	2-CS-612 (2 pcs)	2,2 mm
R	2-CS-712 (2 pcs)	2,3 mm



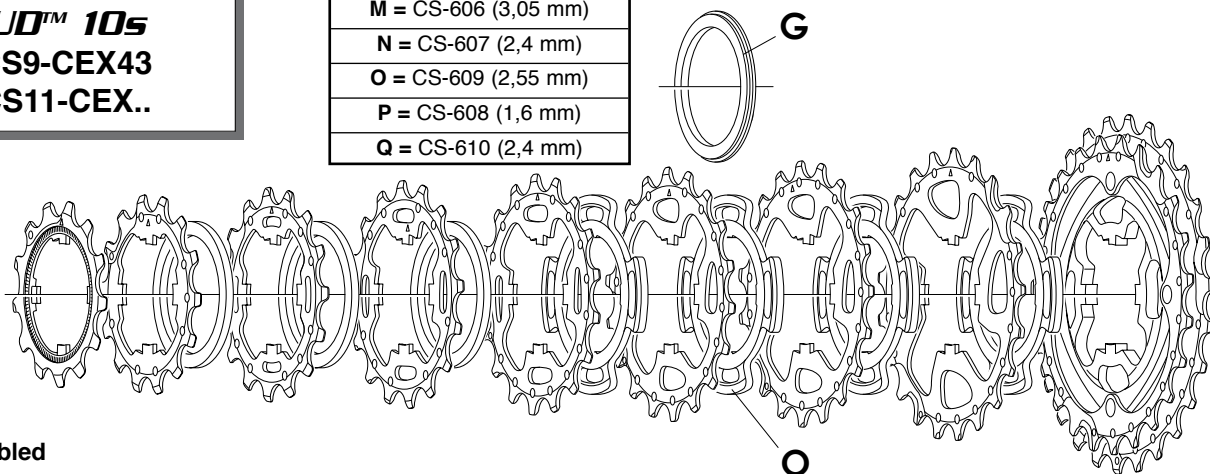
12-25	A	12A-1°	13A	F	14A	F	15A	F	16A	R	17A-18A-19A*	F	21A-23A-25A*
		11S-012	11S-131		11S-141		11S-151		11S-161		11S-789		11S-135A
12-27	A	12A-1°	13A	F	14A	F	15A	F	16A	R	17A-19B-21B*	F	23B-25B-27B*
		11S-012	11S-131		11S-141		11S-151		11S-161		11S-791		11S-357
12-29	A	12A-1°	13A	F	14A	F	15A	F	16A	R	17A-19B-21B*	F	23B-26C-29C*
		11S-012	11S-131		11S-141		11S-151		11S-161		11S-791		11S-369

**CENTAUR™**  
**UD™ 10s**  
**CS9-CEX43**  
**CS11-CEX..**

**DISTANZIALI / SPACERS**

- G** = CS-602 (2,55 mm)
- M** = CS-606 (3,05 mm)
- N** = CS-607 (2,4 mm)
- O** = CS-609 (2,55 mm)
- P** = CS-608 (1,6 mm)
- Q** = CS-610 (2,4 mm)

**VELOCE 10s compatible**



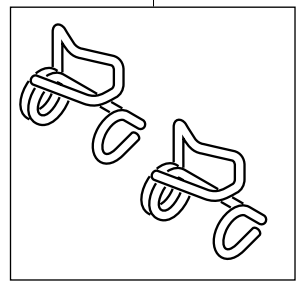
\* pre-assembled

11 - 23	11A-1° 10S-011	12A-2° 10S-022	13A 10S-131	Q	14A 10S-141	Q	15A 10S-151	Q	16A 10S-161	G	17A 10S-171	N	19A 10S-191	M	21A-23A* 10S-13A			
11 - 25	11A-1° 10S-011	12A-2° 10S-022	13A 10S-131	Q	14A 10S-141	Q	15A 10S-151	Q	17G 10S-177	O	19G 10S-197	N	21G 10S-217	M	23G-25G* 10S-35G			
12 - 25	12A-1° 10S-032	13A 10S-131	Q	14A 10S-141	Q	15A 10S-151	Q	16A 10S-161	Q	17A 10S-171	O	19A 10S-191	N	21A 10S-211	M	23A-25A* 10S-35A		
13 - 26	13A-1° 10S-023	14A 10S-141	Q	15A 10S-151	Q	16A 10S-161	Q	17A 10S-171	N	18C 10S-183	O	19C 10S-193	N	21C 10S-213	M	23C-26C* 10S-36C		
13 - 29	13A-1° 10S-023	14A 10S-141	Q	15A 10S-151	Q	16A 10S-161	Q	17A 10S-171	N	19A 10S-191	O	21A 10S-211	N	23A 10S-231	M	26A-29A* 10S-69A		
14 - 23	14A-1° 10S-014	15A 10S-151	Q	16A 10S-161	Q	17A 10S-171	Q	18C 10S-183	N	19C 10S-193	O	20D 10S-204	N	21D 10S-214	N	22D 10S-224	P	23D 10S-234

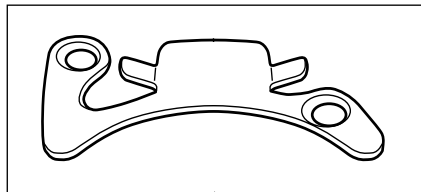
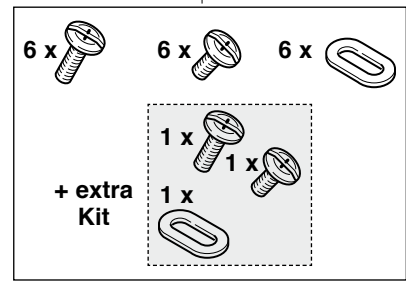
**SPROCKETS**

**PRO-FIT™ /  
PRO-FIT PLUS™  
SPARE PARTS**

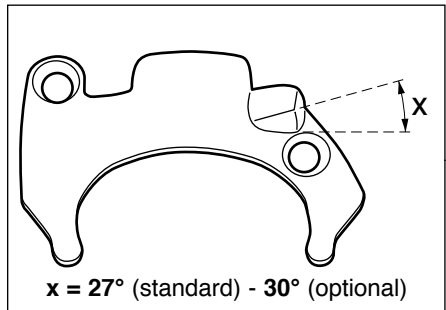
R + L: PD-RE105



PD-RE116

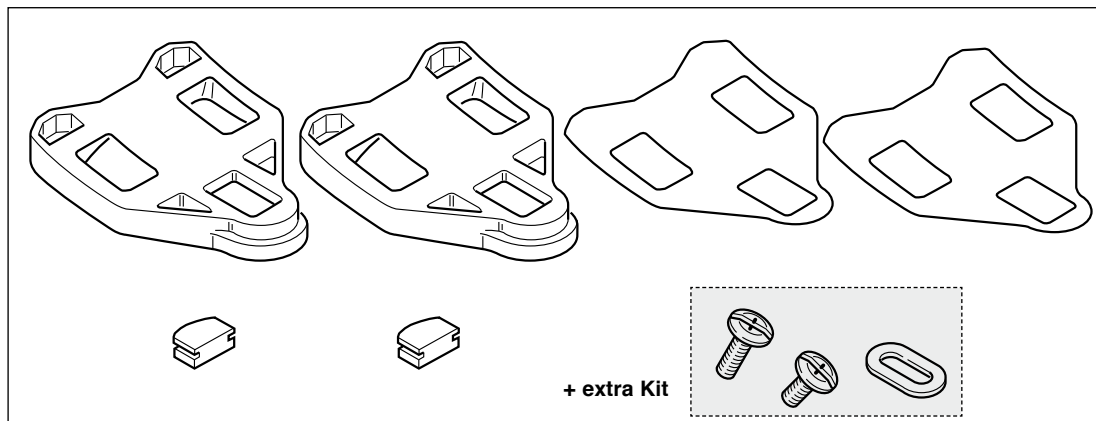
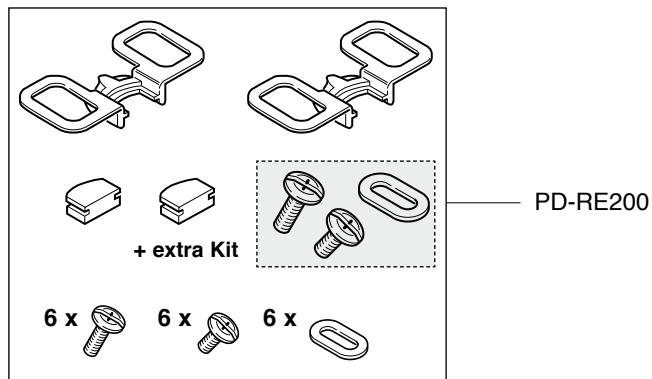


**PRO-FIT™  
PD-RE111**



**PRO-FIT PLUS™**  
PD-RE110: standard - 27°  
PD-RE109: HRE - optional - 30°

**PRO-FIT™ /  
PRO-FIT PLUS™  
SPARE PARTS**

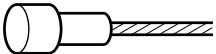

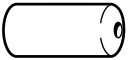



**PD-RE020 FLOATING CLEATS - PD-RE021 FIXED CLEATS**



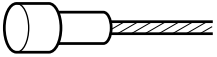
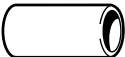
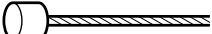
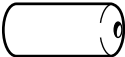

## CABLES & CASINGS for ULTRA-SHIFT™ & POWER-SHIFT™ ERGOPOWER

<b>COMPLETE SET</b>	<b>BLACK</b>	<b>CG-ER600</b>
	<b>WHITE</b>	<b>CG-ER600W</b>
	<b>RED</b>	<b>CG-ER600R</b>

		<b>FRONT</b>	<b>REAR</b>
<b>BRAKES</b>		Ø 1,6 mm L. 800 mm <b>CG-CB003</b>	Ø 1,6 mm L. 1600 mm <b>10-CG-CB013</b> (10 pcs.)
<b>DERAILLEURS</b>			L. 1600 <b>CG-CB014</b>
	Ø 1,2 mm		L. 2000 <b>10-CG-CB009</b> (10 pcs.)
			Ø 5,7 mm <b>10-CG-CS112</b> (for CG-CS115 and CG-CS108 - sealed / con guarnizione - 10 pcs.)
			Ø 5,7/4 mm <b>5-CG-CS113</b> (for CG-CS115 and CG-CS108 - sealed / con guarnizione - 5 pcs.)

CABLES & CASINGS for all Ergopower™ control levers (except for ULTRA-SHIFT™)

Complete set: CG-ER500

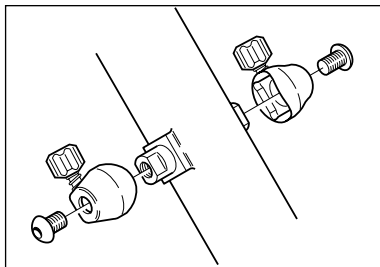
		FRONT	REAR	
<b>BRAKES</b>		Ø 1,6 mm L. 800 mm <b>CG-CB003</b>	Ø 1,6 mm L. 1600 mm <b>10-CG-CB013</b> (10 pcs.)	
		Ø 6 mm <b>10-CG-CS011</b> (10 pcs.) (not sealed / senza guarnizione)		
<b>DERAILLEURS</b>		ERGOPOWER	L. 1600	<b>CG-CB014</b>
	Ø 1,2 mm	ERGOPOWER	L. 2000	<b>10-CG-CB009</b> (10 pcs.)
		Ø 5,7 mm <b>10-CG-CS012</b> (for CG-CS015 and CG-CS008 - sealed / con guarnizione - 10 pcs.)		
	Ø 5,7/4 mm <b>5-CG-CS013</b> (for CG-CS015 and CG-CS008 - sealed / con guarnizione - 5 pcs.)			

TRADITIONAL LEVERS: CG-BR201 (brakes) - CG-DD101 (derailleurs)



**LB-100 (1 pc.)**  
**10-LB-100 (10 pcs.)**  
 Grease 100 gr.

**ERGOPOWER™**  
**ERGOPOWER™ FB**  
**CASING RETAINER CLAMPS**



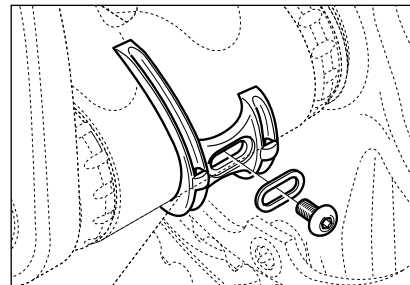
FOR ROUND DOWN TUBE

Aluminum:

**EC-RE001 (1 pc.) - 25-EC-RE001 (25 pcs.)**

Resin:

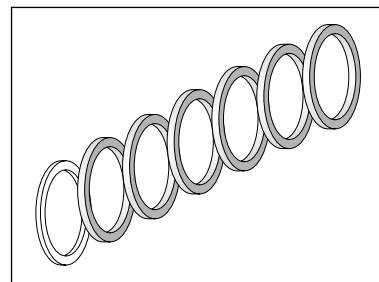
**EC-AT001 (1 pc.) - 25-AT-001 (25 pcs.)**



**4-PL6-RE**

**RECORD™**

cable guide plate (resin)

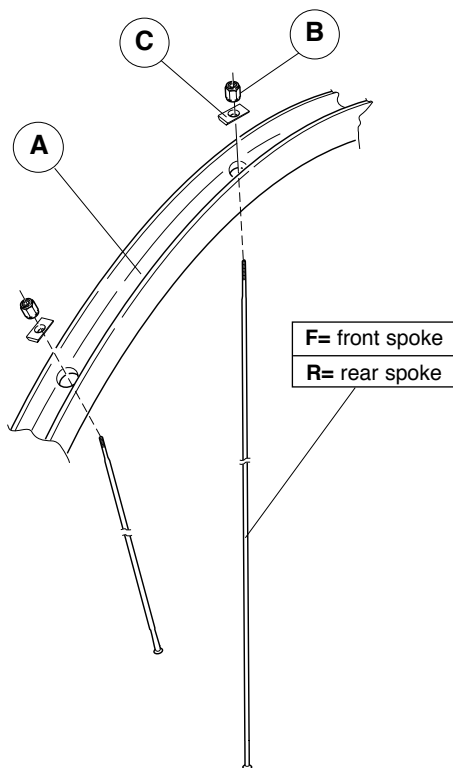


**KIT-03**

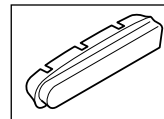
Transforms a Veloce™ 9s sprocket  
 set into a 8s cassette.

**Only for 9s/10s hub/wheels.**

# **HYPERON™ ULTRA™ Two clincher**



COMPLETE WHEELS	RIM (A)	SPOKE MINI-KIT
<b>FRONT</b>		<b>KIT-400HYU</b> 4 x F/R 291mm 2 x R 289mm 6 x B 2 x C front 4 x C rear
<b>WH9-HYCF</b> clincher 28"	<b>WH-203HYU</b>	
<b>REAR</b>		
<b>WH9-HYCR</b> <b>WH9-HYCRX</b> clincher 28"	<b>WH-104HYU</b>	



**SPECIAL BRAKE PADS:**  
BR-RE701/2

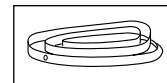
(Campagnolo® brakes)

BR-701X/2

(Dura-Ace brakes of Shimano Inc.)

Compl. SPOKE KIT	
FRONT COMPLETE	REAR COMPLETE
<b>KIT-13HYU</b> 22 x F/R 291mm 22 x B 22 x C front	<b>KIT-14HYU</b> 12 x F/R 291mm 12 x R 289mm 24 x B 24 x C rear

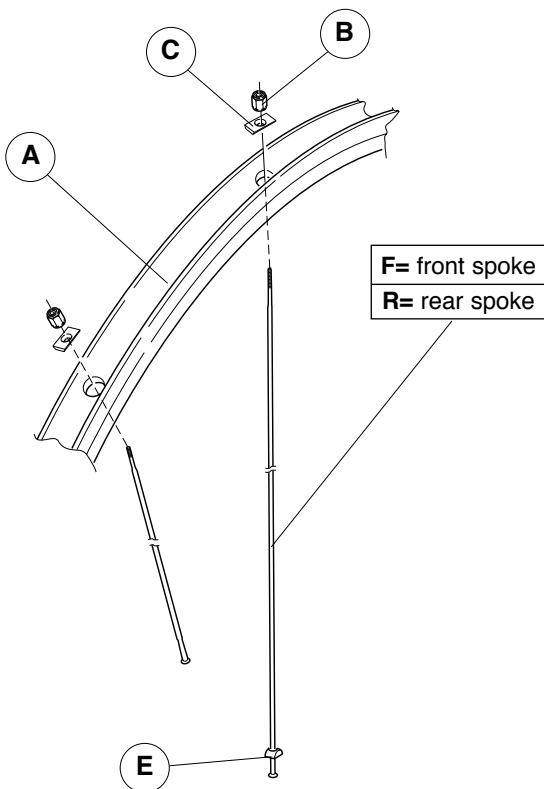
B	C front	C rear
10-WH-010BO (10 pcs.)	10-WH-011HY (10 pcs.)	10-WH-012HY (10 pcs.)



**RIM TAPE 16 mm:**  
2-WH-RT02  
(2 pcs)

**COMPLETE LABEL KIT (front+rear): LAB-HYUC09**

## **HYPERON™ ULTRA™ Two tubular**

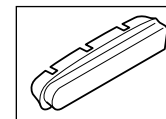


COMPLETE WHEELS	RIM (A)	SPOKE MINI-KIT
<b>FRONT</b>		
<b>WH9-HYTF</b> tubular 28"	<b>WH-201HY</b>	<b>KIT-100HY</b> 4 x F/R 294,5mm 2 x R 295mm 6 x B 6 x C 2 x E
<b>REAR</b>		
<b>WH9-HYTR</b> <b>WH9-HYTRX</b> tubular 28"	<b>WH-202HY</b>	

### Compl. SPOKE KIT

FRONT COMPLETE	REAR COMPLETE
<b>KIT-01HY</b> 22 x F/R 294,5mm 22 x B 22 x C	<b>KIT-02HY</b> 12 x F/R 294,5mm 12 x R 295mm 24 x B 24 x C 12 x E

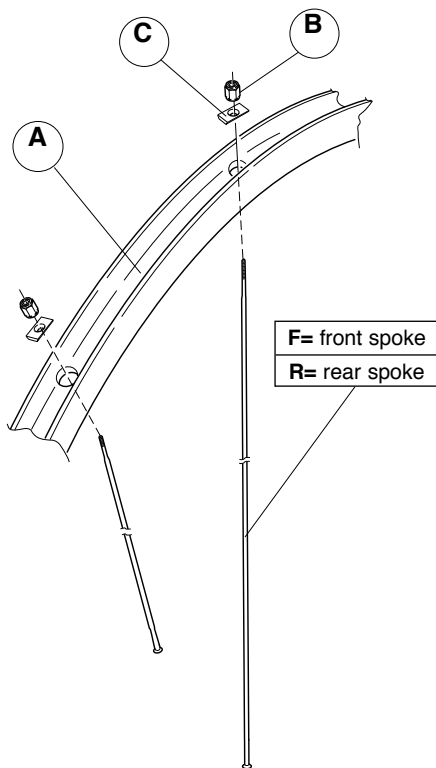
B	C
10-WH-010BO (10 pcs.)	10-WH-011HY (10 pcs.)



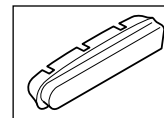
**SPECIAL BRAKE PADS:**  
BR-RE701/2  
(Campagnolo® brakes)  
BR-701X/2  
(Dura-Ace brakes of Shimano Inc.)

**COMPLETE LABEL KIT (front+rear): LAB-HYT09**

# HYPERON™ One clincher



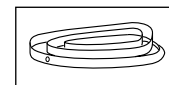
COMPLETE WHEELS	RIM (A)	SPOKE MINI-KIT
<b>FRONT</b>		
WH10-HY1CF clincher 28"	WH-003HY1	<b>KIT-100HY1</b> 4 x F/R 290mm 2 x R 291mm 6 x B 2 x C front 4 x C rear
<b>REAR</b>		
WH10-HY1CR WH10-HY1CRX clincher 28"	WH-004HY1	



**SPECIAL BRAKE PADS:**  
 BR-RE701/2  
 (Campagnolo® brakes)  
 BR-701X/2  
 (Dura-Ace brakes of Shimano Inc.)

<b>Compl. SPOKE KIT</b>	
FRONT COMPLETE	REAR COMPLETE
<b>KIT-03HY1</b> 22 x F/R 290mm 22 x B 22 x C front	<b>KIT-04HY1</b> 12 x F/R 290mm 12 x R 291mm 24 x B 24 x C rear

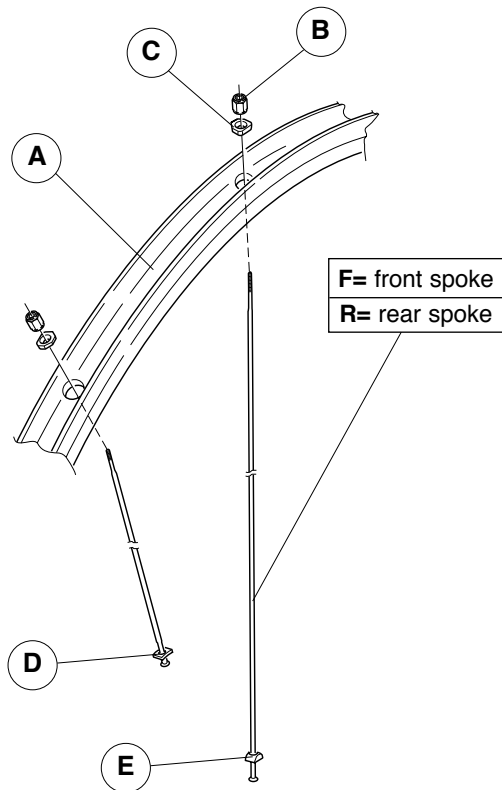
B	C front	C rear
10-WH-010BO (10 pcs.)	10-WH-011HY (10 pcs.)	10-WH-012HY (10 pcs.)



**RIM TAPE 16 mm:**  
 2-WH-RT02  
 (2 pcs)

**COMPLETE LABEL KIT (front+rear): LAB-HY1C10**

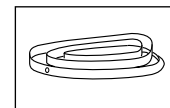
## NEUTRON™ clincher



COMPLETE WHEELS	RIM (A)	SPOKE MINI-KIT
<b>FRONT</b>		<b>KIT-300NE</b> 2 x F 294,25mm 2 x R 294,75mm 2 x R 296,5mm 6 x B 6 x C 4 x D 2 x E
<b>WH9-NECF</b> clincher 28"	<b>WH-303NE</b>	
<b>REAR</b>		
<b>WH9-NECR</b> clincher 28"	<b>WH-304NE</b>	

Compl. SPOKE KIT	
FRONT COMPLETE	REAR COMPLETE
<b>KIT-23NE</b> 22 x F 294,25mm 22 x B 22 x C 22 x D	<b>KIT-24NE</b> 12 x R 294,75mm 12 x R 296,5mm 24 x B 24 x C 12 x D 12 x E

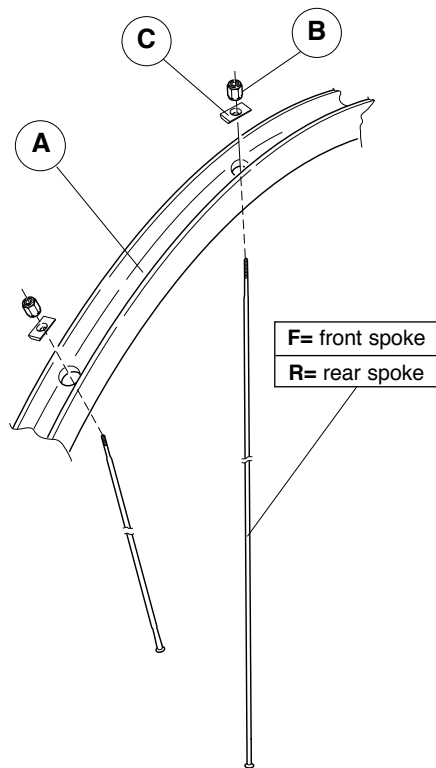
B	C
10-WH-010BO (10 pcs.)	10-WH-011EU (10 pcs.)



**RIM TAPE 18 mm:**  
2-WH-RT01  
(2 pcs)

**COMPLETE LABEL KIT (front+rear): LAB-NEC07**

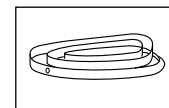
**NEUTRON™**  
**ULTRA™**  
*clincher*



COMPLETE WHEELS	RIM (A)	SPOKE MINI-KIT
<b>FRONT</b>		
WH9-NECFU clincher 28"	WH-403NE	<b>KIT-500NE</b> 2 x F 293mm 2 x R 294,25mm 2 x R 292mm 6 x B 6 x C
<b>REAR</b>		
WH9-NECRU clincher 28"	WH-404NE	

<b>Compl. SPOKE KIT</b>	
FRONT COMPLETE	REAR COMPLETE
<b>KIT-33NE</b> 22 x F 293mm 22 x B 22 x C	<b>KIT-34NE</b> 12 x R 294,25mm 12 x R 292mm 24 x B 24 x C

B	C
10-WH-010BO (10 pcs.)	10-WH-011EU (10 pcs.)

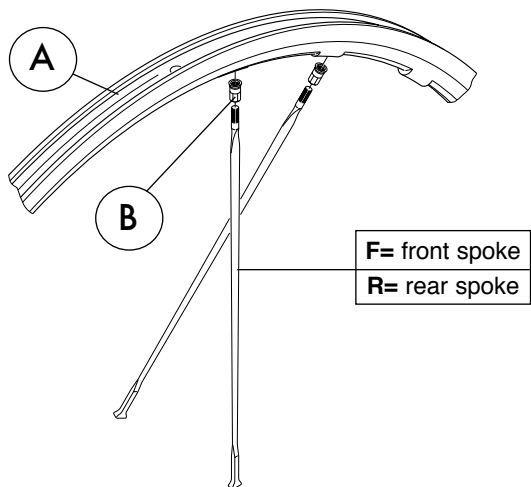


**RIM TAPE 18 mm:**  
 2-WH-RT01  
 (2 pcs)

**COMPLETE LABEL KIT (front+rear): LAB-NECC07**



## SHAMAL™ ULTRA™ clincher

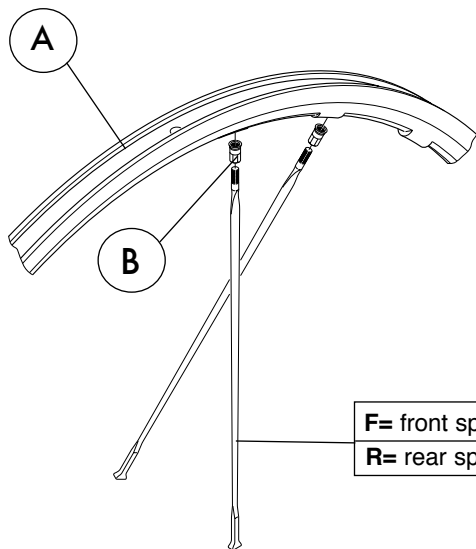


COMPLETE WHEELS	RIM (A)	Compl. SPOKE KIT	NIPPLES (B)
<b>FRONT</b>			
WH10-SHCFB clincher 28"	WH-103SHB	KIT-13SHB (16F)	<b>10-WH-015SH</b> (10 pcs.)
<b>REAR</b>			
WH10-SHCRB WH10-SHCRXB clincher 28"	WH-104SHB	KIT-14SHB (21R)	

COMPLETE WHEELS	SINGLE SPOKES		
WH10-SHCFB clincher 28"	L. 279,2 mm WH-105SHB (1F+1B)		
WH10-SHCRB WH10-SHCRXB clincher 28"		L. 282,7 mm WH-106SHB (1R right+1B)	L. 276,5 mm WH-107SHB (1R left+1B)

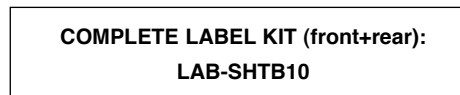
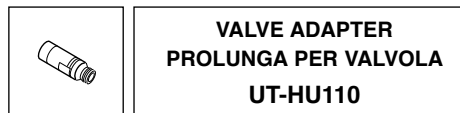
**COMPLETE LABEL KIT (front+rear):  
LAB-SHCB10**

**SHAMAL™**  
**ULTRA™**  
**tubular**

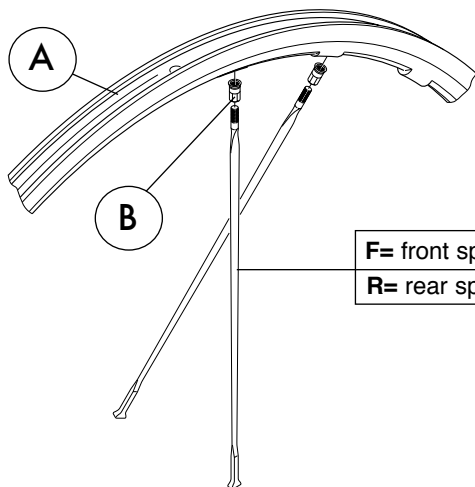


COMPLETE WHEELS	RIM (A)	Compl. SPOKE KIT	NIPPLES (B)
<b>FRONT</b>			
WH10-SHTFB tubular 28"	WH-101SHB	KIT-13SHB (16F)	10-WH-015SH (10 pcs.)
<b>REAR</b>			
WH10-SHTRB WH10-SHTRXB tubular 28"	WH-102SHB	KIT-14SHB (21R)	

COMPLETE WHEELS	SINGLE SPOKES		
WH10-SHTFB tubular 28"	L. 279,2 mm WH-105SHB (1F+1B)		
WH10-SHTRB WH10-SHTRXB tubular 28"		L. 282,7 mm WH-106SHB (1R right+1B)	L. 276,5 mm WH-107SHB (1R left+1B)



## SHAMAL™ ULTRA™ 2-Way fit™

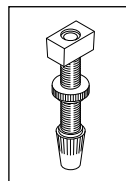


F= front spoke  
R= rear spoke

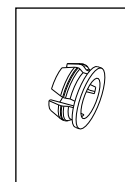
COMPLETE LABEL KIT (front+rear):  
LAB-SH2B10

COMPLETE WHEELS	RIM (A) (incl. WH-SH001)	COMPL. SPOKE KIT	NIPPLES (B)
<b>FRONT</b>			
WH10-SH2FB	WH-013SHB	KIT-13SHB (16F)	<b>10-WH-015SH</b> (10 pcs.)
<b>REAR</b>			
WH10-SHCRB WH10-SH2RXB	WH-014SHB	KIT-14SHB (21R)	

COMPLETE WHEELS	SINGLE SPOKES		
WH10-SH2FB	L. 279,2 mm WH-105SHB (1F+1B)		
WH10-SHCRB WH10-SH2RXB		L. 282,7 mm WH-106SHB (1R right+1B)	L. 276,5 mm WH-107SHB (1R left+1B)

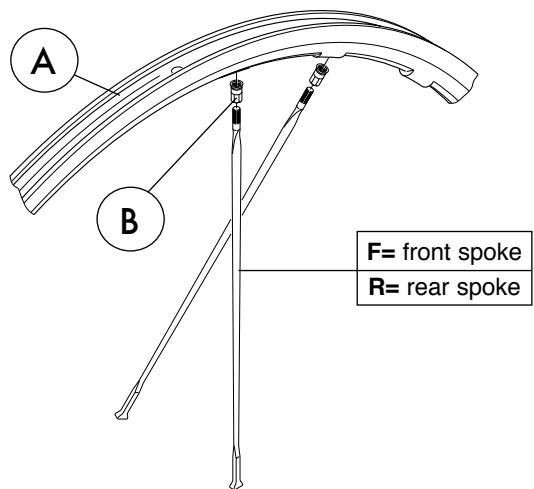


Valvola / valve  
2-Way fit  
WH-SH001



Bussola di riduzione sede valvola  
Bushing to reduce valve hole  
WH-SH002 (5 pcs)

**EURUS™**  
*clincher*



COMPLETE WHEELS	RIM (A)	Compl. SPOKE KIT	NIPPLES (B)	
<b>FRONT</b>				
WH10-EUCFB BLACK	WH-403EUB	KIT-13SHB (16F)	10-WH-015SH (10 pcs.)	
WH10-EUCFS SILVER/BLACK	WH-403EUS	KIT-13SHB (16F)		
<b>REAR</b>				
WH10-EUCRB WH10-EUCRXB BLACK	WH-404EUB	KIT-14SHB (21R)		
WH10-EUCRS WH10-EUCRXS SILVER/BLACK	WH-404EUS	KIT-14SHB (21R)		

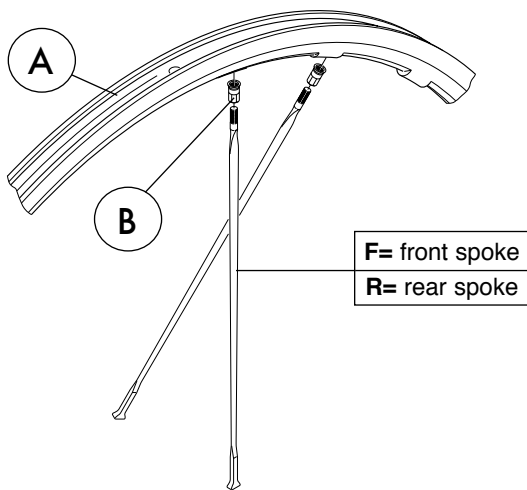
COMPLETE WHEELS	SINGLE SPOKES		
WH10-EUCFB BLACK	L. 279,2 mm WH-105SHB (1F+1B)		
WH10-EUCFS SILVER/BLACK	L. 279,2 mm WH-105SHB (1F+1B)		
WH10-EUCRB WH10-EUCRXB BLACK		L. 282,7 mm WH-106SHB (1R right+1B)	L. 276,5 mm WH-107SHB (1R left+1B)
WH10-EUCRS WH10-EUCRXS SILVER/BLACK		L. 282,7 mm WH-106SHB (1R right+1B)	L. 276,5 mm WH-107SHB (1R left+1B)

**COMPLETE LABEL KIT (front+rear)**

Black: LAB-EUCB10

Silver/Black: LAB-EUCS10

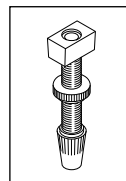
**EURUS™**  
**2-Way fit™**



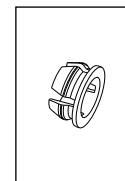
**COMPLETE LABEL KIT (front+rear)**  
**LAB-EU2B10**

COMPLETE WHEELS	RIM (A) (incl. WH-SH001)	Compl. SPOKE KIT	NIPPLES (B)
<b>FRONT</b>			
WH10-EU2F	WH-013EUB	KIT-13SHB (16F)	10-WH-015SH (10 pcs.)
<b>REAR</b>			
WH10-EU2R WH10-EU2RX	WH-014EUB	KIT-14SHB (21R)	

COMPLETE WHEELS	SINGLE SPOKES		
WH10-EU2F	L. 279,2 mm WH-105SHB (1F+1B)		
WH10-EU2R WH10-EU2RX		L. 282,7 mm WH-106SHB (1R right+1B)	L. 276,5 mm WH-107SHB (1R left+1B)

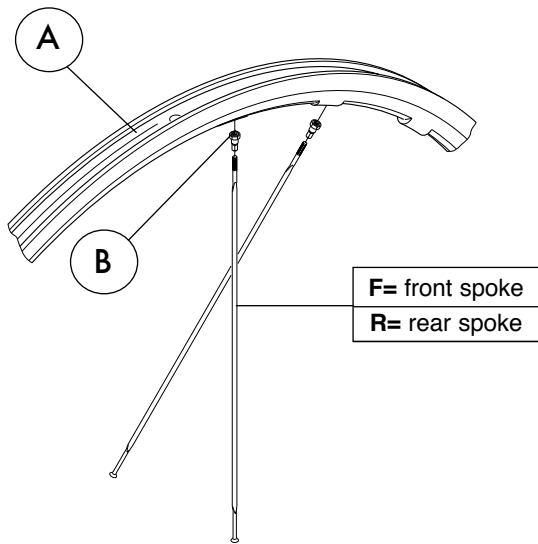


Valvola / valve  
2-Way fit  
**WH-SH001**



Bussola di riduzione sede valvola  
Bushing to reduce valve hole  
**WH-SH002 (5 pcs)**

**ZONDA™**  
*clincher*



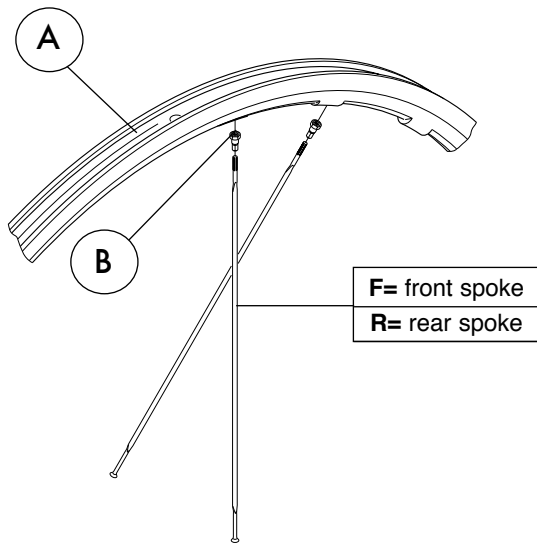
**COMPLETE LABEL KIT (front+rear):**  
**LAB-ZOCB10**

COMPLETE WHEELS	RIM (A)	SPOKE MINI-KIT
<b>FRONT</b>		
<b>WH10-ZOCFB</b> clincher 28"	<b>WH-303ZOB</b>	<b>KIT-500ZOB</b> 2 x F 281,5mm 2 x R 280mm 2 x R 279mm 6 x B
<b>REAR</b>		
<b>WH10-ZOCRB</b> <b>WH10-ZOCRXB</b> clincher 28"	<b>WH-304ZOB</b>	

Compl. SPOKE KIT	
FRONT COMPLETE	REAR COMPLETE
<b>KIT-33ZOB</b> 16 x F 281,5mm 16 x B	<b>KIT-34ZOB</b> 14 x R 280mm 7 x R 279mm 21 x B

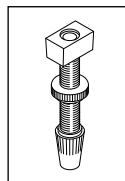
<b>B</b>	<b>50-WH-NZO</b> (50 pcs.)
----------	-------------------------------

**ZONDA™**  
**2-Way fit™**

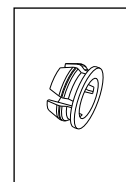


**COMPLETE LABEL KIT (front+rear):**  
**LAB-ZO2B10**

COMPLETE WHEELS	RIM (A)	SPOKE MINI-KIT	B
<b>FRONT</b>			
<b>WH10-ZO2FB</b> clincher 28"	<b>WH-013ZOB</b>	<b>KIT-500ZOB</b> 2 x F 281,5mm 2 x R 280mm 2 x R 279mm 6 x B	50-WH-NZO (50 pcs.)
<b>REAR</b>			
<b>WH10-ZO2RB</b> <b>WH10-ZO2RXB</b> clincher 28"	<b>WH-014ZOB</b>		
<b>Compl. SPOKE KIT</b>			
<b>FRONT COMPLETE</b>		<b>REAR COMPLETE</b>	
<b>KIT-33ZOB</b> 16 x F 281,5mm 16 x B		<b>KIT-34ZOB</b> 14 x R 280mm 7 x R 279mm 21 x B	

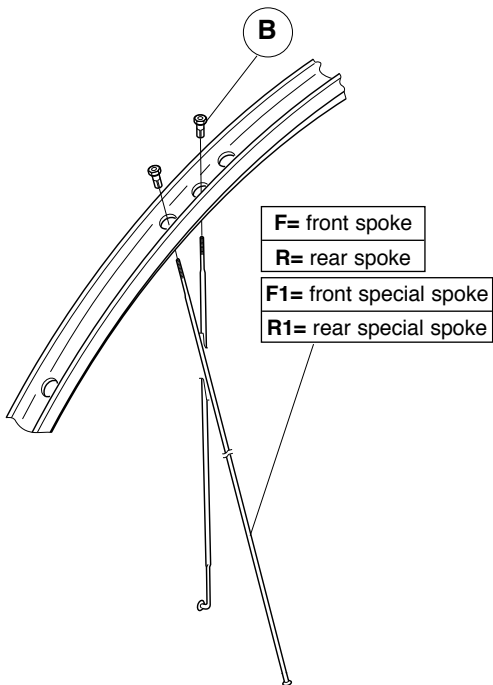


Valvola / valve  
2-Way fit  
**WH-SH001**



Bussola di riduzione sede valvola  
Bushing to reduce valve hole  
**WH-SH002 (5 pcs)**

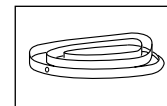
**SCIROCCO™**  
**SCIROCCO™ CX**  
*clincher*



**F**= front spoke  
**R**= rear spoke  
**F1**= front special spoke  
**R1**= rear special spoke

COMPLETE WHEELS	Compl. SPOKE KIT	SPOKE MINI-KIT
<b>FRONT</b>		<b>KIT-700SCB</b> 2 x F 282mm 2 x R 279mm 2 x R 284mm 6 x B
<b>WH10-SCCFB</b> <b>WH11-SCXCFB (CX)</b>	<b>KIT-43SCB</b> 18 x F 282mm 2 x F1 282mm 20 x B	
<b>REAR</b>		<b>KIT-44SCB</b> 18 x R 279mm 8 x R 284mm 1 x R1 284mm 27 x B
<b>WH10-SCCRB</b> <b>WH11-SCXCRB (CX)</b>		

**B**  
 50-WH-NZO  
 (50 pcs.)

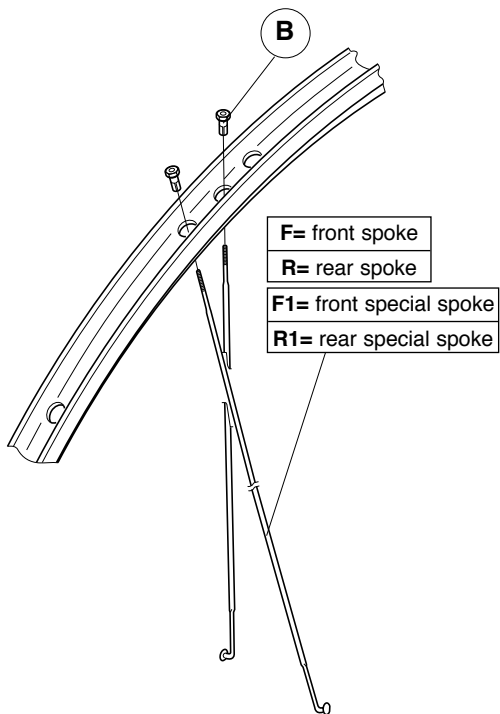


**RIM TAPE 18 mm:**  
 2-WH-RT01  
 (2 pcs)

**COMPLETE LABEL KIT (front+rear):**  
**LAB-SCCB11**  
**LAB-SCXCB11 (CX)**



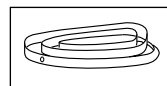
**VENTO REACTION™**  
**VENTO REACTION™ CX**  
*clincher*



COMPLETE WHEELS	Compl. SPOKE KIT	SPOKE MINI-KIT
<b>FRONT</b>		
<b>WH10-VECFB</b> <b>WH11-VEXCFB (CX)</b>	<b>KIT-23VEB</b> 7 x F 276mm 16 x F 273mm 1 x F1 276mm 24 x B	<b>KIT-700VEB</b> 1 x F 276mm 2 x F 273mm 1 x R 280mm 1 x R 268mm 2 x R 284mm 7 x B
<b>REAR</b>		
<b>WH10-VECRB</b> <b>WH11-VEXCRB (CX)</b>	<b>KIT-34VEB</b> 3 x R 280mm 5 x R 268mm 18 x R 284mm 1 x R1 268mm 27 x B	

**B**

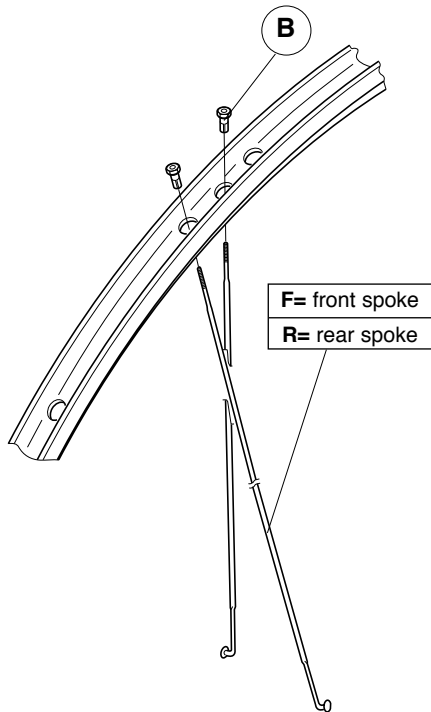
50-WH-NZO  
(50 pcs.)



**RIM TAPE 16 mm:**  
**2-WH-RT02**  
 (2 pcs)

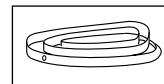
**COMPLETE LABEL KIT (front+rear):**  
**LAB-VECB11**  
**LAB-VEXCB11 (CX)**

**KHAMSIN™**  
**KHAMSIN™ CX**  
*clincher*



COMPLETE WHEELS	COMPLETE SPOKE KIT	SPOKE MINI-KIT
<b>FRONT</b>		
<b>WH11-KHCFB</b> <b>WH11-KHXCFB (CX)</b>	<b>KIT-23KHB</b> 24 x F 278mm 24 x B	
<b>REAR</b>		<b>KIT-300KHB</b> 2 x F 278mm 2 x R 288mm 2 x R 277 mm 6 x B
<b>WH11-KHCFB</b> <b>WH11-KHXCFB (CX)</b>	<b>KIT-24KHB</b> 18 x R 288mm 9 x R 277mm 27 x B	

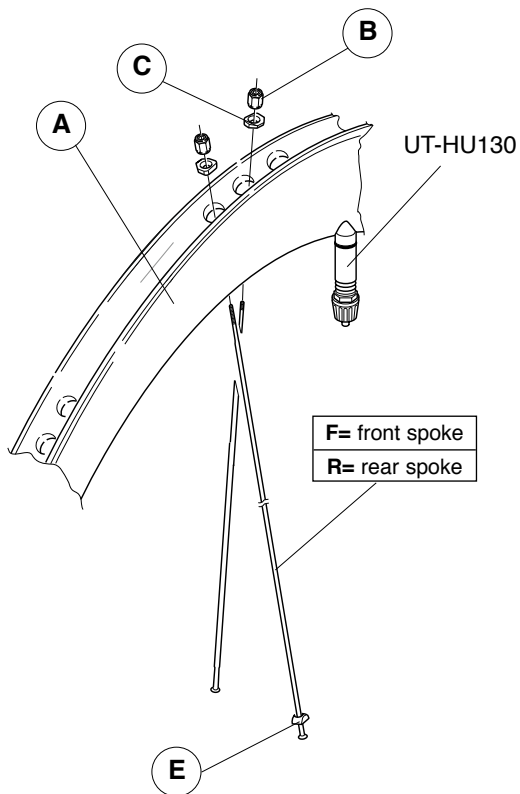
<b>B</b>
50-WH-NZO (50 pcs.)



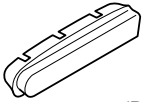
**RIM TAPE 18 mm:**  
 2-WH-RT01  
 (2 pcs)

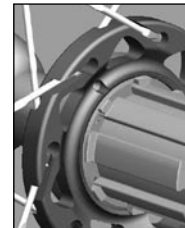
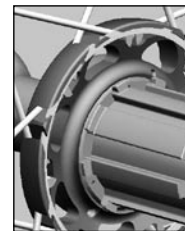
<b>COMPLETE LABEL KIT (front+rear):</b> <b>LAB-KHCB11</b> <b>LAB-KHXCB11 (CX)</b>
---

## **BORA™ ULTRA™ Two** *tubular*

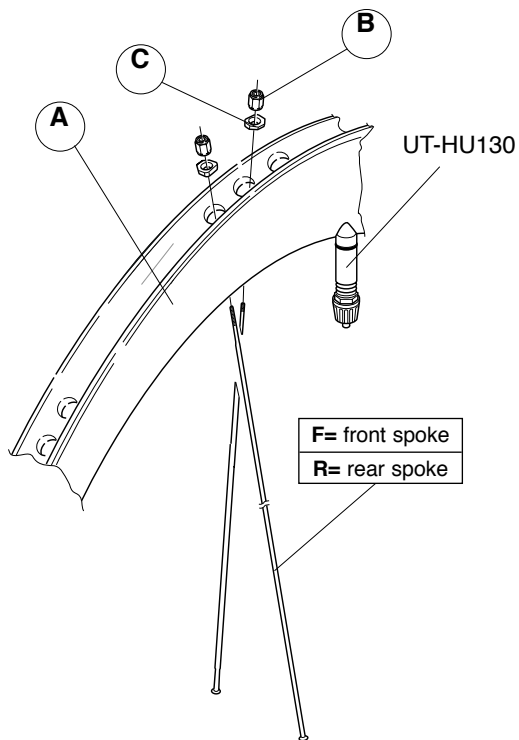


**COMPLETE LABEL KIT (front+rear): LAB-BOT09**

<b>COMPLETE WHEELS</b>	<b>RIM (A)</b>	 <b>SPECIAL BRAKE PADS:</b> BR-RE701/2 (Campagnolo® brakes) BR-701X/2 (Dura-Ace brakes of Shimano Inc.)	
<b>FRONT</b>			
<b>WH9-BOTF</b> tubular 28"	<b>WH-601BO</b>		
<b>REAR</b>			
		<b>B</b>	<b>C</b>
<b>WH9-BOTR</b> <b>WH9-BOTRX</b> tubular 28"	<b>WH-502BO</b>	10-WH-010BO (10 pcs.)	10-WH-011BO (10 pcs.)
<b>SPOKE KITS</b>			
<b>FRONT COMPLETE</b>	<b>REAR COMPLETE</b>	<b>SPOKE MINI-KIT</b>	
	<b>KIT-32BO</b> 21 x R 268mm 21 x B 21 x C 14 x E	<b>KIT-300BO</b> 2 x F 265mm 4 x F 268mm 6 x B 6 x C 2 x E	
<b>KIT-31BO</b> 18 x F 265mm 18 x B 18 x C	<b>KIT-42BO</b> 14 x R 263,5mm 7 x R 268mm 21 x B 21 x C	<b>KIT-400BO</b> 2 x F 265mm 2 x R 268mm 2 x R 263,5mm 6 x B 6 x C	



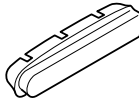
# BORA™ One tubular



<b>COMPLETE WHEELS</b>	<b>RIM (A)</b>
<b>FRONT</b>	
<b>WH10-BO1TF</b> tubular 28"	<b>WH-001BO1</b>
<b>REAR</b>	
<b>WH10-BO1TR</b> <b>WH10-BO1TRX</b> tubular 28"	<b>WH-002BO1</b>

<b>SPOKE KITS</b>		
<b>FRONT COMPLETE</b>	<b>REAR COMPLETE</b>	<b>SPOKE MINI-KIT</b>
<b>KIT-01BO1</b> 18 X F 265mm 18 x B 18 x C	<b>KIT-02BO1</b> 14 X R 263,5mm 7 X R 266mm 21 x B 21 x C	<b>KIT-100BO1</b> 2 x F 265mm 2 x R 263,5mm 2 x R 266mm 6 x B 6 x C

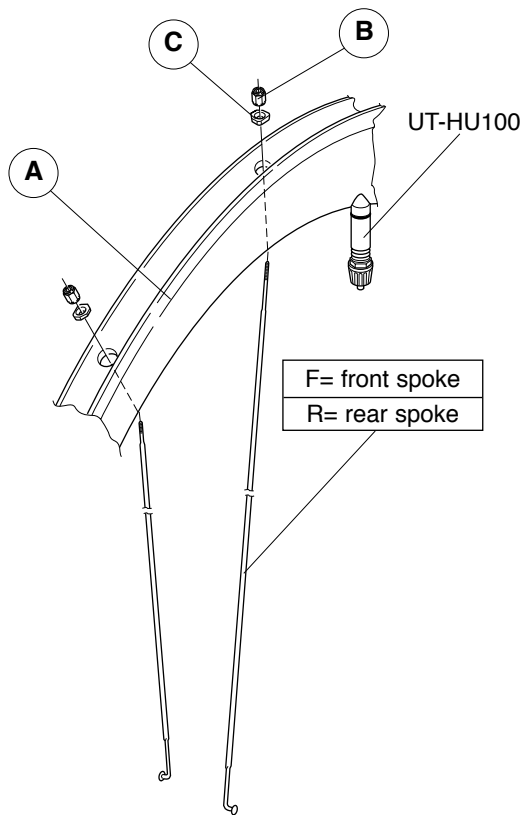
<b>B</b>	<b>C</b>
10-WH-010BO (10 pcs.)	10-WH-011BO (10 pcs.)



**SPECIAL BRAKE PADS:**  
BR-RE701/2  
(Campagnolo® brakes)  
BR-701X/2  
(Dura-Ace brakes of Shimano Inc.)

**COMPLETE LABEL KIT (front+rear): LAB-BO1T10**

**PISTA™**  
**tubular**

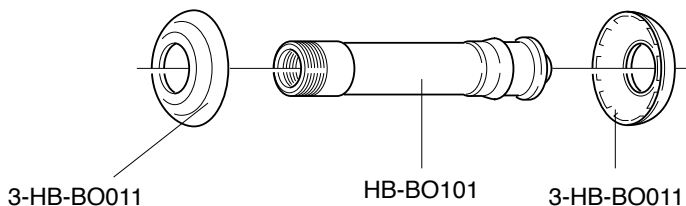
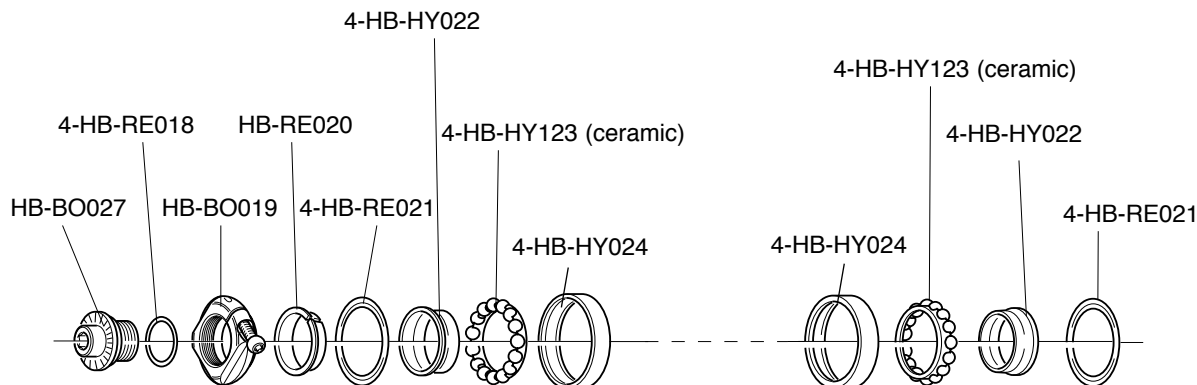


COMPLETE WHEELS	RIM (A)	Compl. SPOKE KIT	SPOKE MINI-KIT
<b>FRONT</b>			<b>KIT-100PI</b> 2 x F 278mm 4 x R 287mm 6 x B 6 x C
<b>WH02-PTF</b> tubular 28"	<b>WH-001PI</b>	<b>KIT-01PI</b> 20 x F 278mm 20 x B 20 x C	
<b>REAR</b>			
<b>WH02-PTR</b> tubular 28"	<b>WH-002PI</b>	<b>KIT-02PI</b> 24 x R 287mm 24 x B 24 x C	

<b>B</b>	<b>C</b>
10-WH-010BO (10 pcs.)	10-WH-011EU (10 pcs.)

**COMPLETE LABEL KIT (front+rear):**  
**LAB-PIT07**

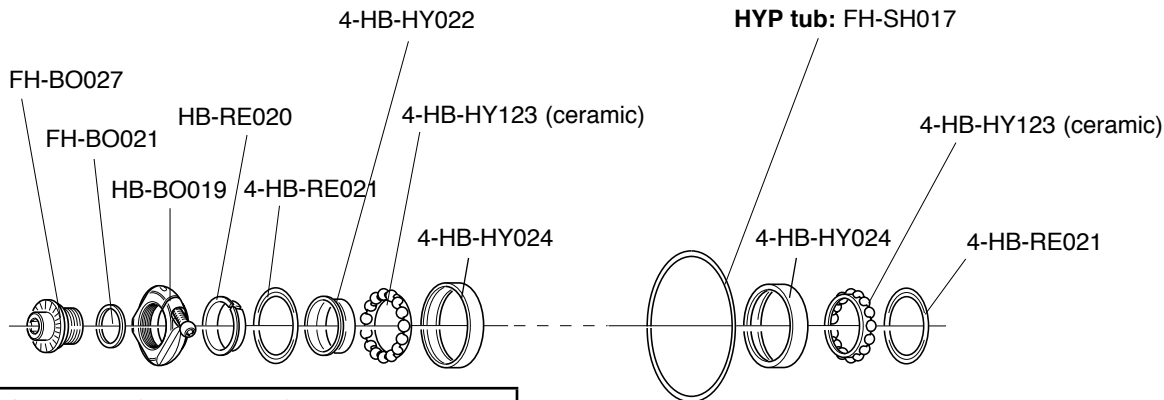
**MOZZO ANTERIORE**  
**HYPERON™ ULTRA™ tub. and clincher / BORA™ ULTRA™ tub.**  
**FRONT HUB**



**HB-HY100**  
**KIT CULT™ / CULT™ KIT**

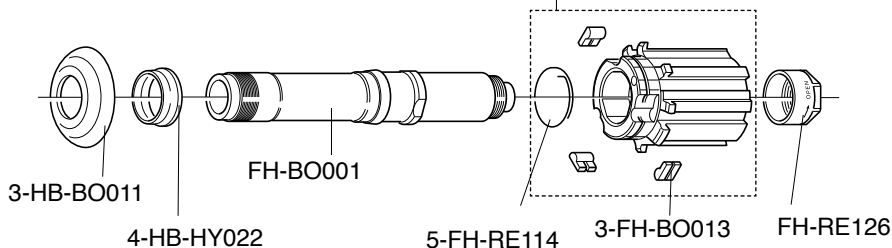
- 2 x HB-RE021
- 2 x HB-HY022
- 2 x HB-HY024
- 2 x HB-HY123

**MOZZO POSTERIORE**  
**HYPERON™ ULTRA™ tub. and clincher / BORA™ ULTRA™ tub.**  
**REAR HUB**



FH-BO015 (RL tipo Campy 9/10/11 / Campy 9/10/11 type FW)

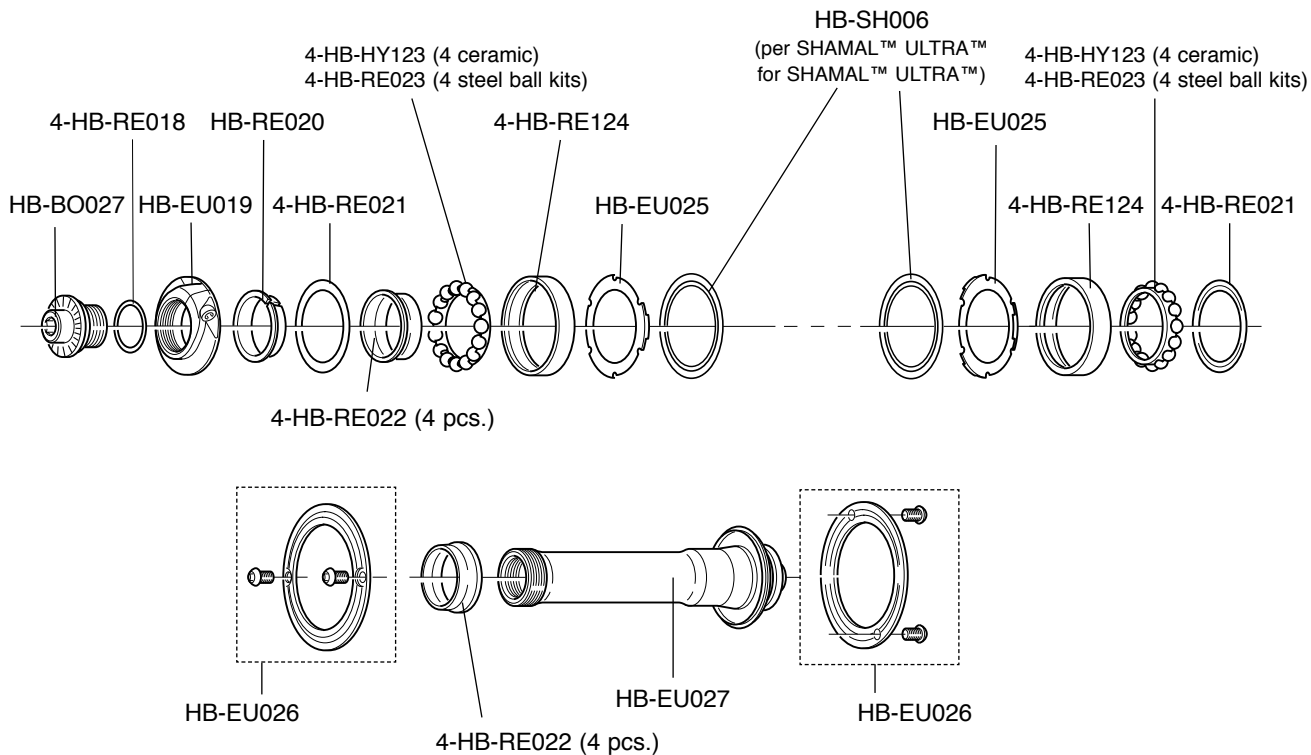
WH-KX890 (RL tipo HG 8/9/10 / HG 8/9/10 type FW)



**HB-HY100**  
**KIT CULT™ / CULT™ KIT**

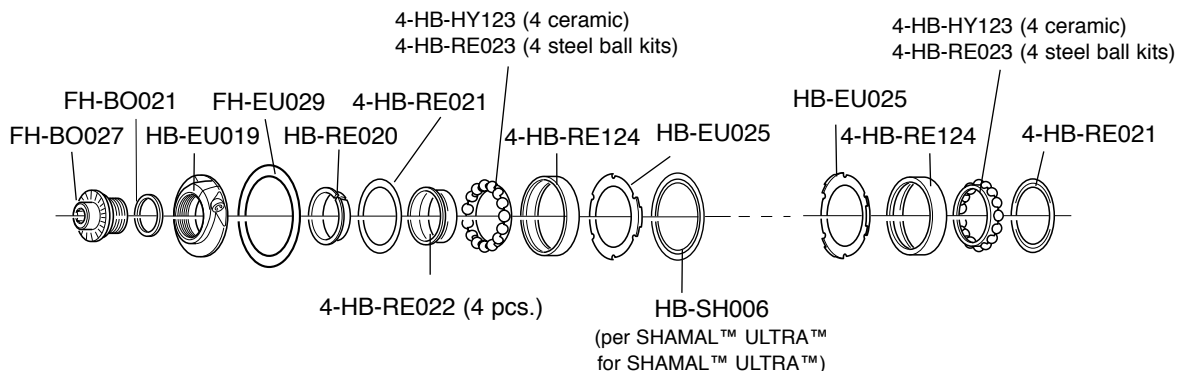
- 2 x HB-RE021
- 2 x HB-HY022
- 2 x HB-HY024
- 2 x HB-HY123

**MOZZO ANTERIORE**  
**SHAMAL™ ULTRA™ / SHAMAL™ ULTRA™ 2-WAY FIT™**  
**EURUS™ / EURUS™ 2-WAY FIT™**  
**FRONT HUB**

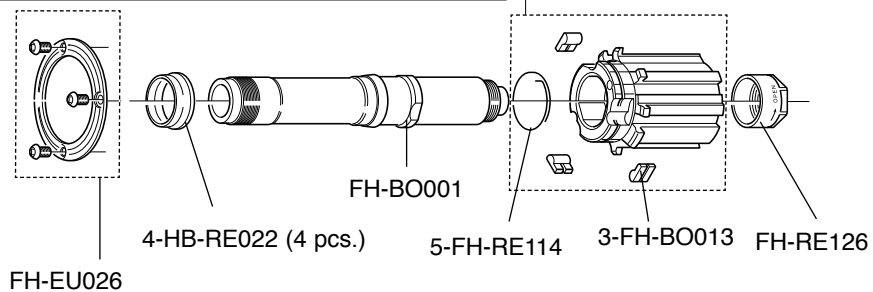




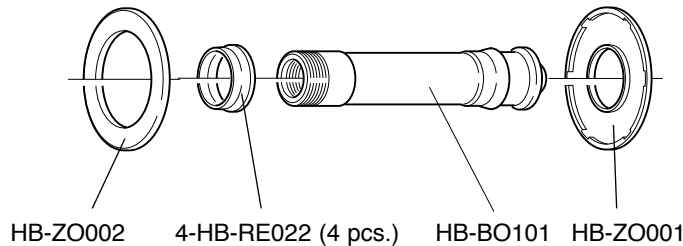
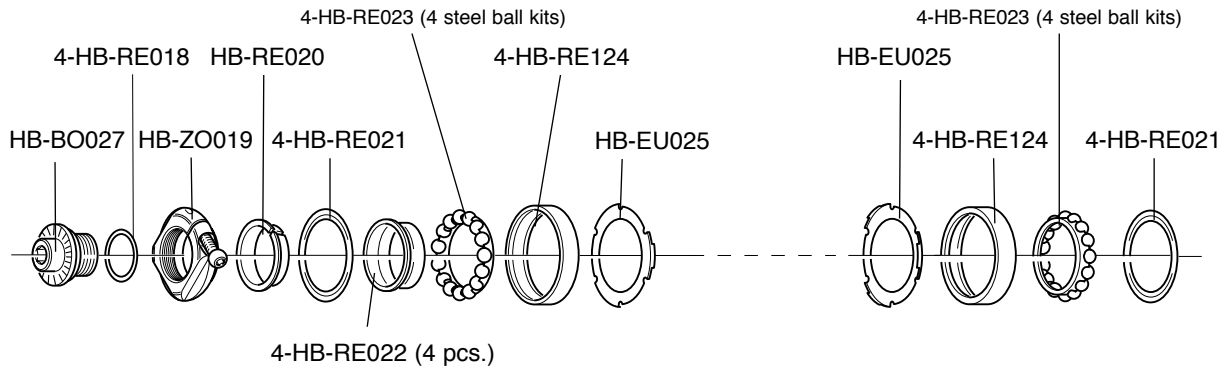
**MOZZO POSTERIORE**  
**SHAMAL™ ULTRA™ / SHAMAL™ ULTRA™ 2-WAY FIT™**  
**EURUS™ / EURUS™ 2-WAY FIT™**  
**REAR HUB**



FH-BO015 (RL tipo Campy 9/10/11 / Campy 9/10/11 type FW)  
 WH-KX890 (RL tipo HG 8/9/10 / HG 8/9/10 type FW)

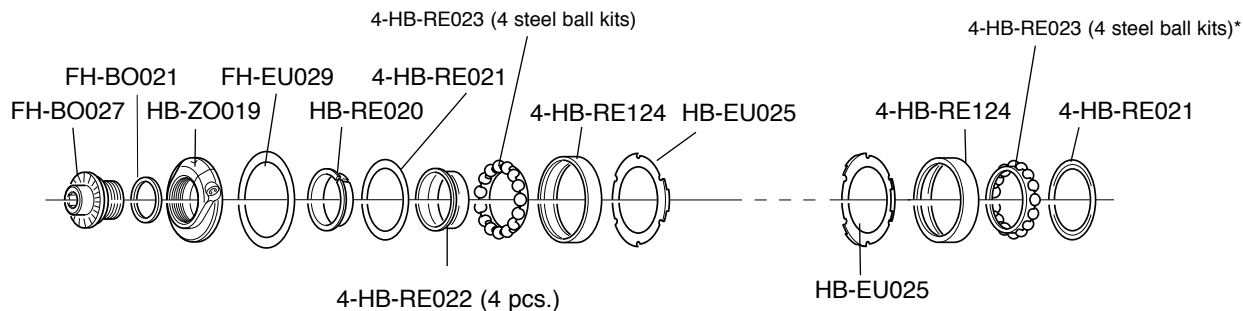


**MOZZO ANTERIORE**  
***BORA ONE™ / HYPERON ONE™***  
***ZONDA™ / ZONDA™ 2-WAY FIT™***  
**FRONT HUB**

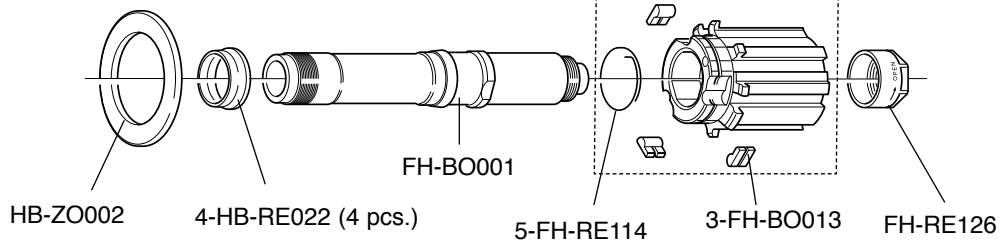


- |  |
|--|
| <p><b>HB-RE100</b><br/> <b>KIT MOZZO / HUB KIT</b></p> <p>2 x HB-RE021<br/>                 2 x HB-RE022<br/>                 2 x HB-RE124<br/>                 2 x HB-RE023</p> |
|--|

## MOZZO POSTERIORE *BORA ONE™ / HYPERON ONE™* *ZONDA™ / ZONDA™ 2-WAY FIT™* REAR HUB



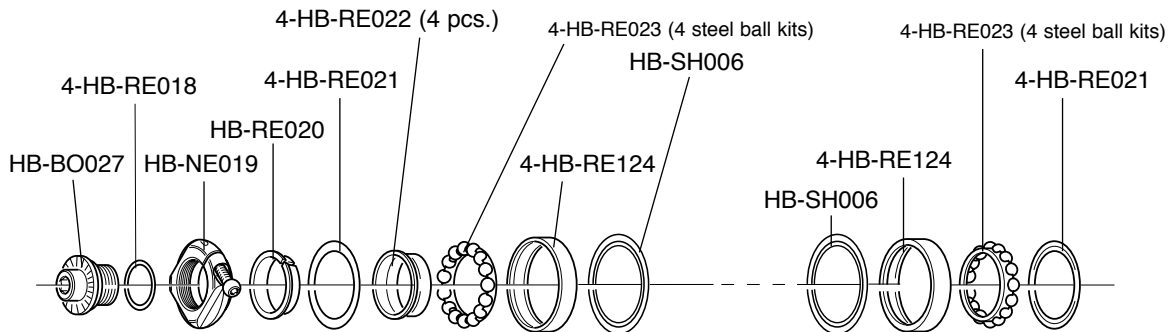
FH-BO015 (RL tipo Campy 9/10/11 / Campy 9/10/11 type FW)  
 WH-KX890 (RL tipo HG 8/9/10 / HG 8/9/10 type FW)



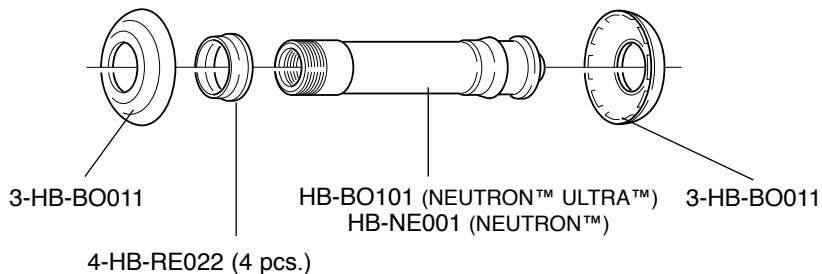
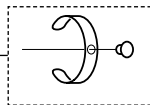
### HB-RE100 KIT MOZZO HUB KIT

- 2 x HB-RE021
- 2 x HB-RE022
- 2 x HB-RE124
- 2 x HB-RE023

**MOZZO ANTERIORE**  
**NEUTRON™ / NEUTRON™ ULTRA™**  
**FRONT HUB**



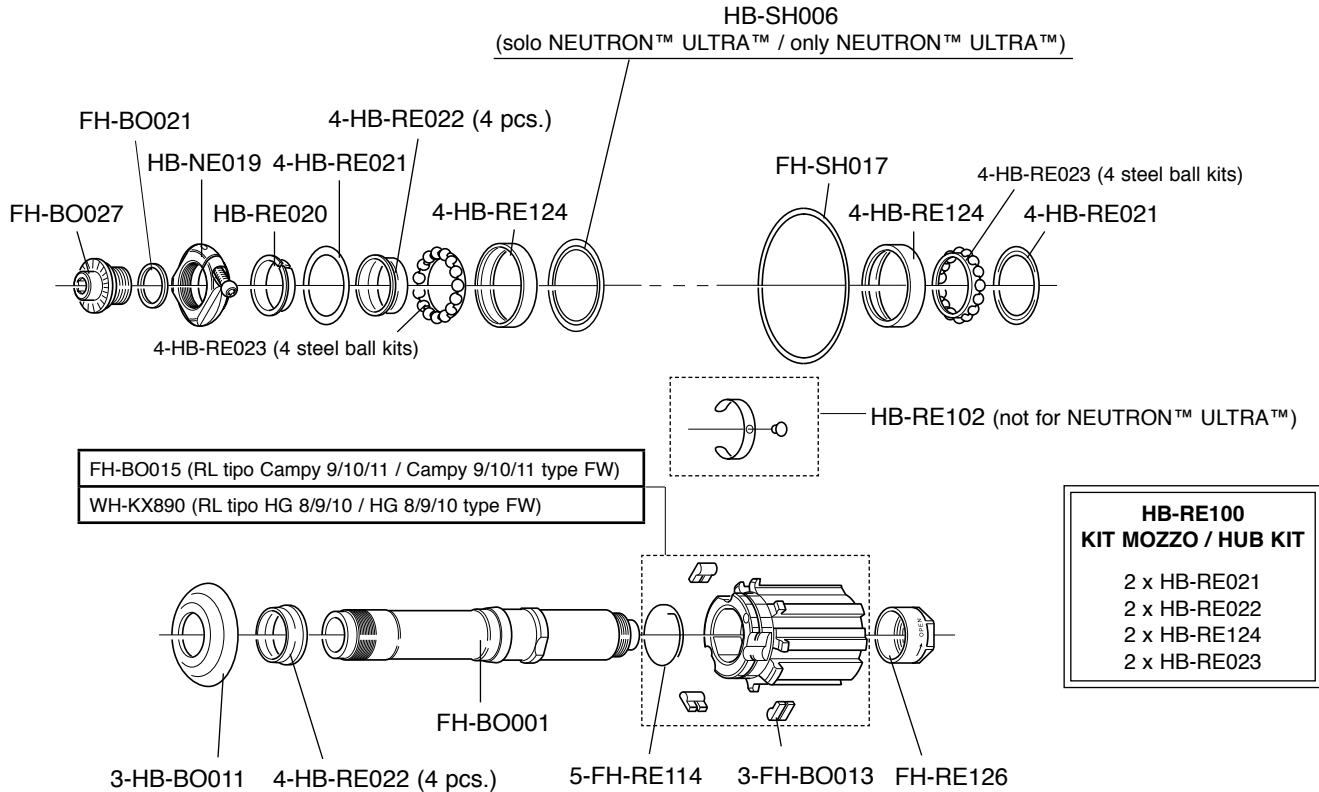
HB-RE102  
(not for NEUTRON™  
ULTRA™)



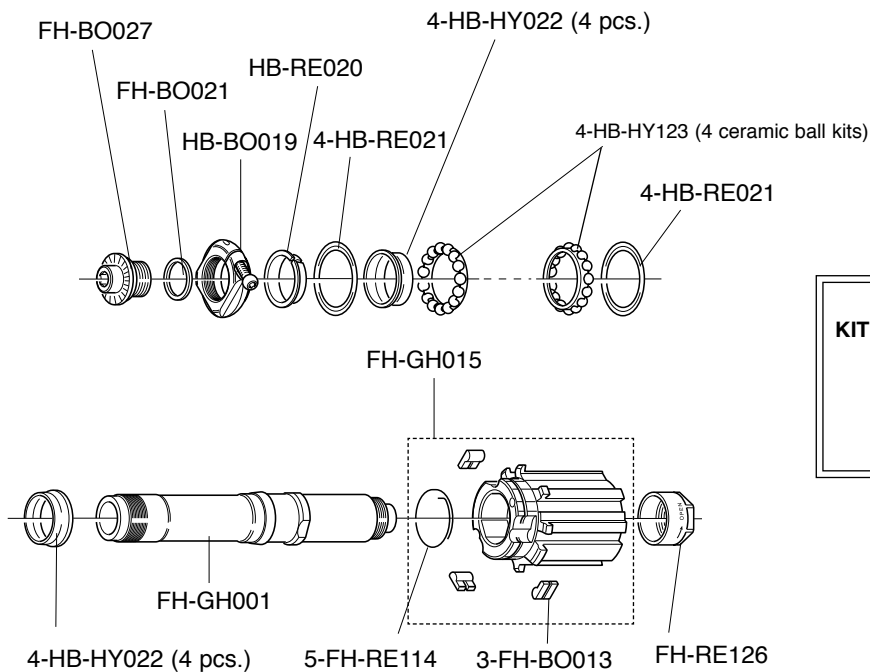
**HB-RE100**  
**KIT MOZZO / HUB KIT**

- 2 x HB-RE021
- 2 x HB-RE022
- 2 x HB-RE124
- 2 x HB-RE023

**MOZZO POSTERIORE**  
**NEUTRON™ / NEUTRON™ ULTRA™**  
**REAR HUB**



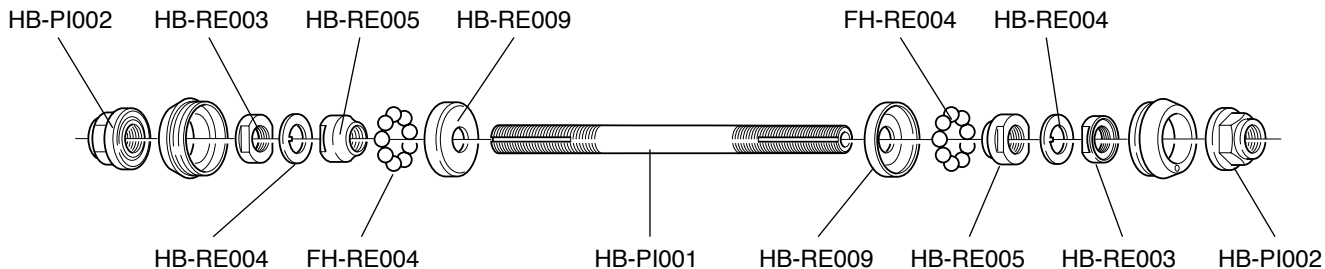
**MOZZO POSTERIORE**  
***GHIBLI™ ULTRA™***  
**ROAD**  
**REAR HUB**



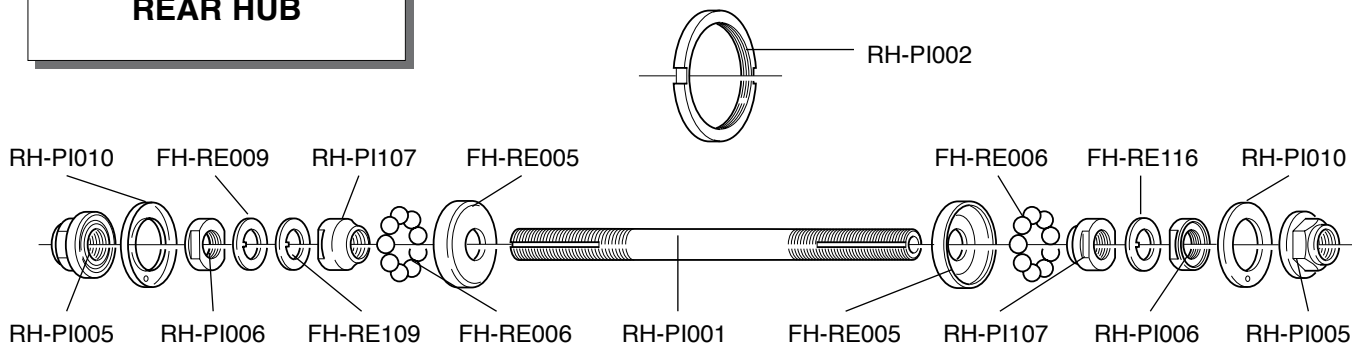
**HB-HY100**  
**KIT CULT™ / CULT™ KIT**

- 2 x HB-RE021
- 2 x HB-HY022
- 2 x HB-HY024
- 2 x HB-HY123

## MOZZO ANTERIORE *GHIBLI™ TRACK* FRONT HUB



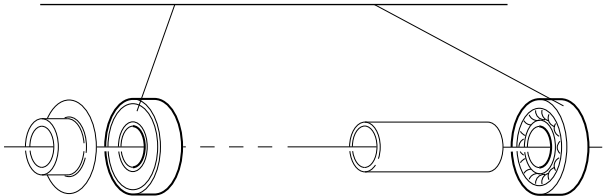
## MOZZO POSTERIORE *GHIBLI™ TRACK* REAR HUB



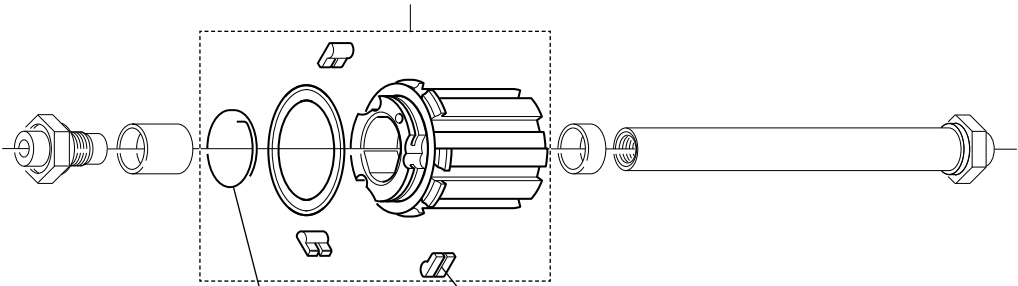
**MOZZI**  
**SCIROCCO™**  
**SCIROCCO™ CX**  
**VENTO™**  
**VENTO™ CX**  
**KHAMSIN™**  
**KHAMSIN™ CX**  
**HUBS**

**4-HB-SC113**  
(per mozzo ant. e post. CX / for CX front and rear hub)

**4-HB-SC013**  
(per mozzo ant. e post. / for front and rear hub)



**FH-SC015**

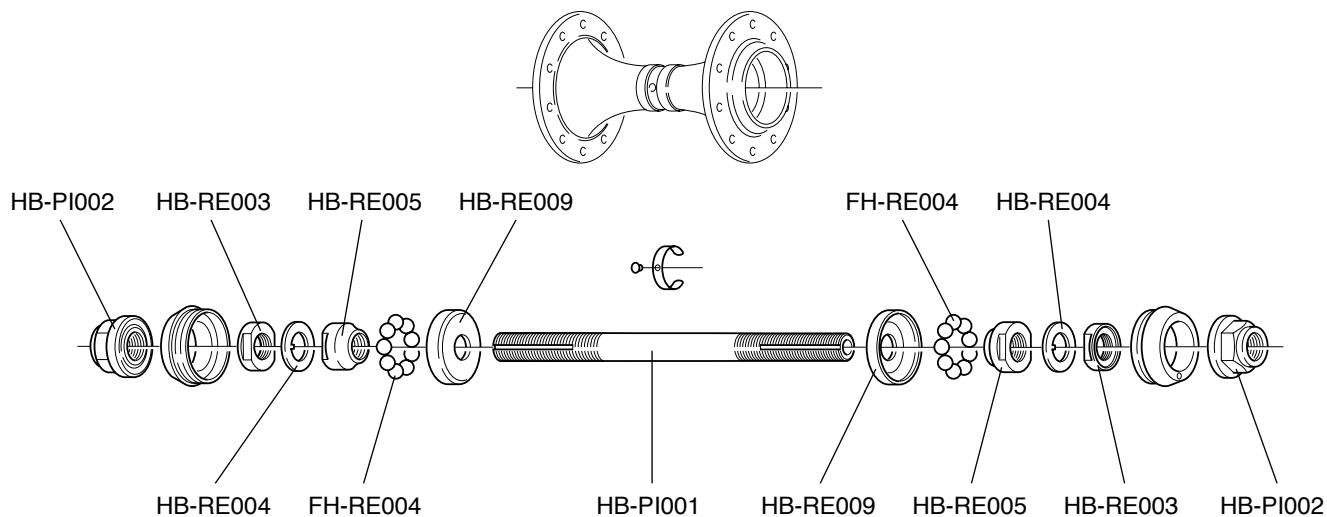


**5-FH-RE114**

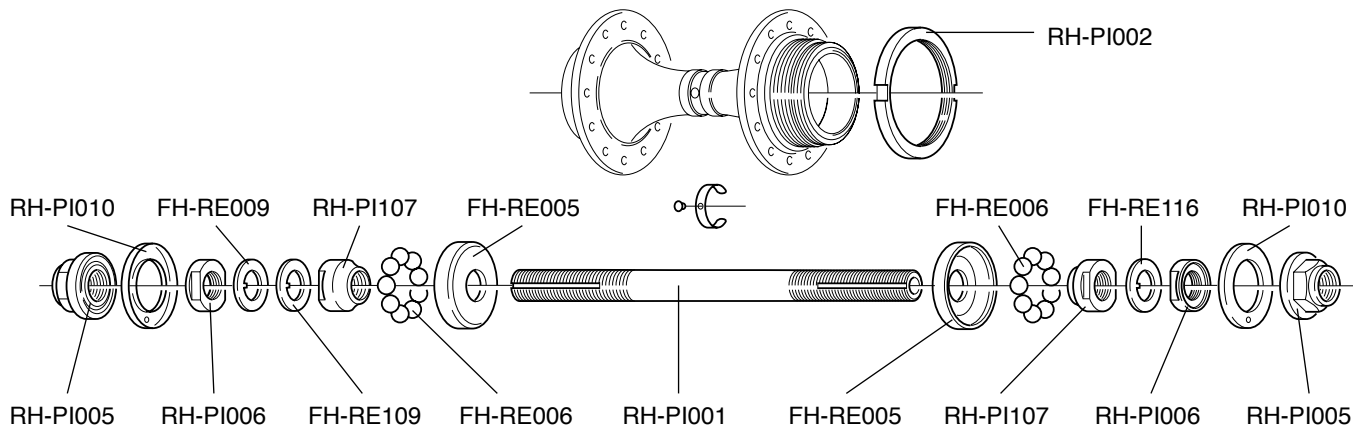
**3-FH-RE113**



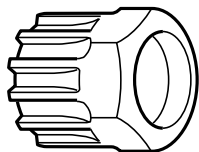
**MOZZO ANTERIORE**  
***PISTA™***  
**FRONT HUB**



**MOZZO POSTERIORE**  
***PISTA™***  
**REAR HUB**



**BOTTOM  
BRACKET**

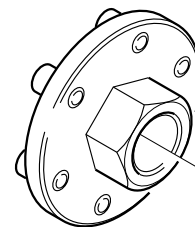


**UT-BB080** (1 pz.) - **10-UT-BB080** (10 pz.):

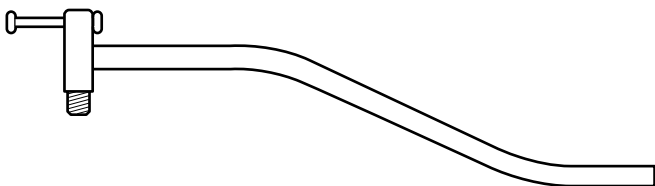
Chiave per montaggio movimenti centrali CART e ghieri di chiusura pacchi pignoni  
 Cartridge bottom bracket and sprocket cassette- lock ring remover  
 Clé pour montage jeux de pédalier CART et roues-libres à cassette  
 Schlüssel zur Montage von Patronen-Tretlager und Schließring für Freilaufzahnkranz

**UT-BB100**

Utensile per movimenti a cartuccia Daytona/Centaur™, Veloce™ e Mirage™  
 Tool for Daytona/Centaur™, Veloce™ and Mirage™ cartridge bottom bracket  
 Clé pour jeux de pédalier à cartouche Daytona/Centaur™, Veloce™ et Mirage™  
 Montageschlüssel für Daytona/Centaur™, Veloce™ und Mirage™ Patronen-Tretlager



## ***FRAME PREPARATION***



### **UT-VS030**

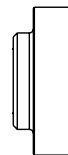
Riscontro allineamento occhiello attacco cambio

Rear derailleur hanger alignment tool

Calibre de contrôle attache de dérailleur arrière

Richtwerkzeug zur Kontrolle von Ausfallende mit Schaltauge

## ***INSERT FOR LEFT POWER TORQUE™ CRANK EXTRACTOR***



### **UT-FC090**

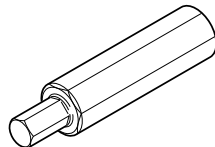
Inserto per estrattore pedivella sinistra Power Torque

Insert for left Power Torque crank extractor

Insert pour extracteur manivelle gauche Power Torque

Einsatz für linken Power Torque Kurbelabzieher

**CRANKSET**

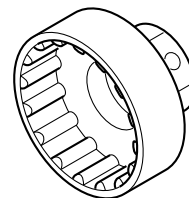


**UT-BB110**

Utensile per vite fissaggio guarnitura ULTRA-TORQUE™  
 Tool for ULTRA-TORQUE™ crankset fixing screw  
 Outil pour vis de fixation pédalier ULTRA-TORQUE™  
 Werkzeug für ULTRA-TORQUE™ Kettenradgarnitur Befestigungsschraube

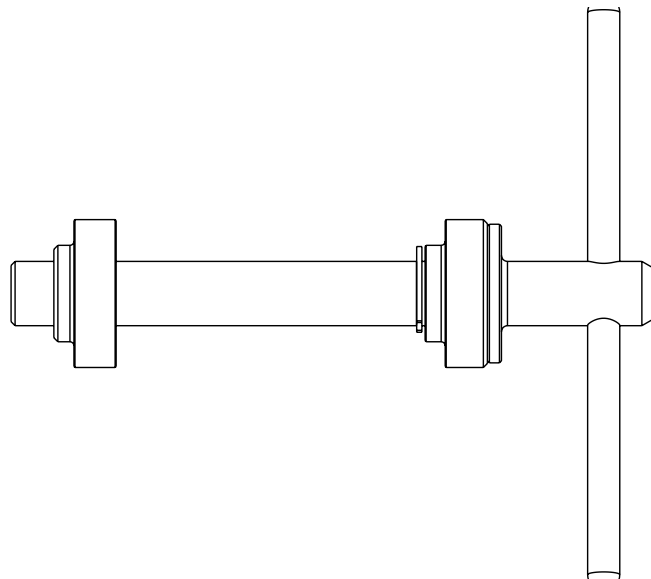
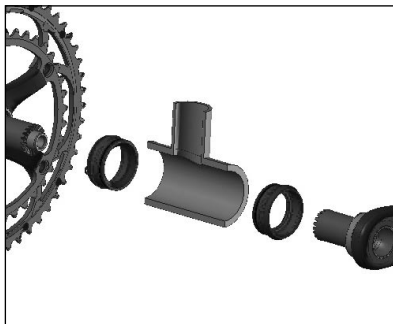
**UT-BB130**

Chiave per calotte esterne guarnitura ULTRA-TORQUE™  
 Tool for ULTRA-TORQUE™ crankset overboard cups  
 Outil pour cuvettes pédalier ULTRA-TORQUE™  
 Werkzeug für ULTRA-TORQUE™ Kettenradgarnitur Lagerschalen

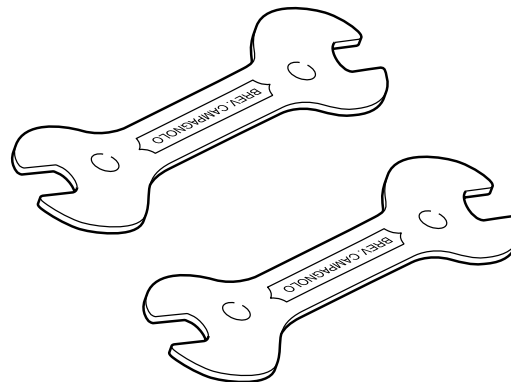


**UT-BB140**

Utensile per piantaggio calotte integrate ULTRA-TORQUE™ OS-Fit™  
 Tool for ULTRA-TORQUE™ OS-Fit™ crankset overboard cups  
 Outil pour cuvettes pédalier ULTRA-TORQUE™ OS-Fit™  
 Werkzeug für ULTRA-TORQUE™ OS-Fit™ Kettenradgarnitur Lagerschalen



## **CRANKSET / BRAKES**



### **UT-BR010**

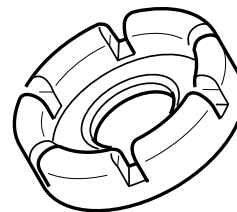
Coppia chiavi 13-14 per registrazione freni e coni mozzi

Pair of 13-14 mm spanners for adjusting brakes and hub cones

Paire clés 13-14 pour réglage freins et cônes de moyeux

13-14 mm Schlüssel (2 Stücke) zum Einstellen von Bremsen und Nabelkonusen

## **HUBS & WHEELS**



### **UT-HU050**

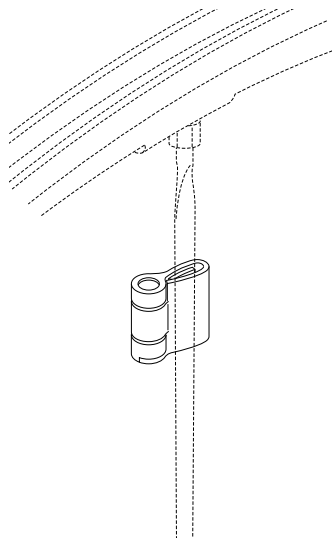
Tiraraggi

Spoke wrench

Clé à rayons

Speichenschlüssel

**HUBS &  
WHEELS**

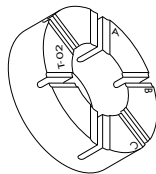


**UT-WH080**

Magnete velocità per raggi EURUS™ 06 / SHAMAL™ ULTRA™

SPD magnet for EURUS™ 06 / SHAMAL™ ULTRA™ spokes

Aimant vitesse pour rayons EURUS™ 06 / SHAMAL™ ULTRA™



**UT-WH010**

Anello anti-rotazione raggi  
Spoke antirotation ring  
Bague antirotation des rayons



**UT-WH050**

Magnete guida-nipplo  
Nipple guide magnet  
Aimant de guidage écrou



**UT-WH020**

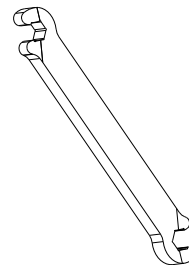
Inserto nipplo attira-magnete per EURUS™ 06 / SHAMAL™ ULTRA™

Magnet-attracting nipple insert for EURUS™ 06 / SHAMAL™ ULTRA™

Insert d'écrou pour attirer l'aimant EURUS™ 06 / SHAMAL™ ULTRA™

**UT-WH030**

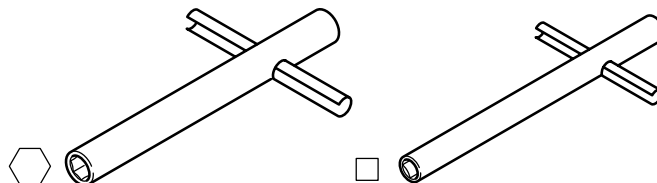
Inserto nipplo attira-magnete per ZONDA™ 06  
Magnet-attracting nipple insert for ZONDA™ 06  
Insert d'écrou pour attirer l'aimant ZONDA™ 06



**UT-WH070**

Chiave tiraraggi  
Spoke wrench  
Clé à rayons

## **HUBS & WHEELS**

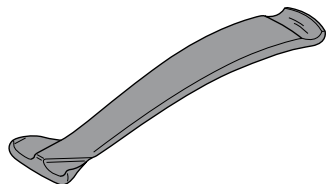


### **UT-HU070**

Chiave con esagono da 5,5 mm per raggi ruote  
5,5 mm nut driver for wheel spokes  
Clé à rayons de 5,5 mm  
5,5 mm Nippelspanner

### **UT-HU060**

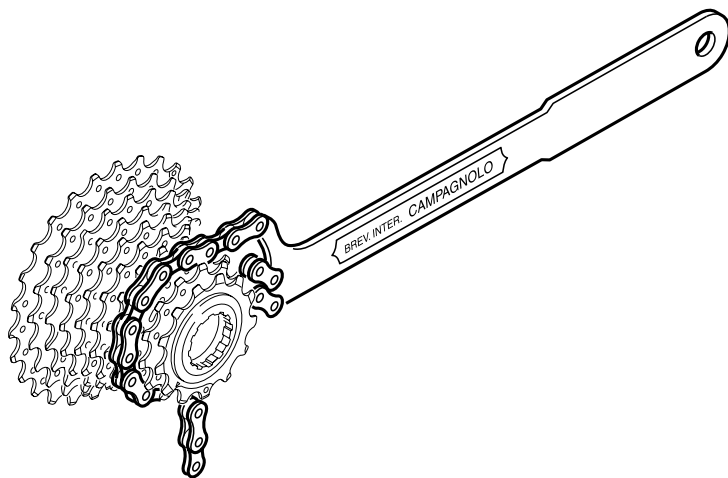
Chiave per raggi ruote Bora™ (fino a gamma '02)  
Bora™ wheel truing tool (till '02 range)  
Clé à rayons pour Bor™a (jusqu'à la gamme '02)  
Vierkant-Nippelspanner für Bora™ (bis '02 Produktlinie)



### **WH-109HYC (6 pcs.)**

Leva in composito per rimozione copertoncino  
Composite lever for removing clinchers  
Démonte-pneus en composite  
Reifenheber aus Verbundwerkstoff zum Abnehmen des Drahtreifens



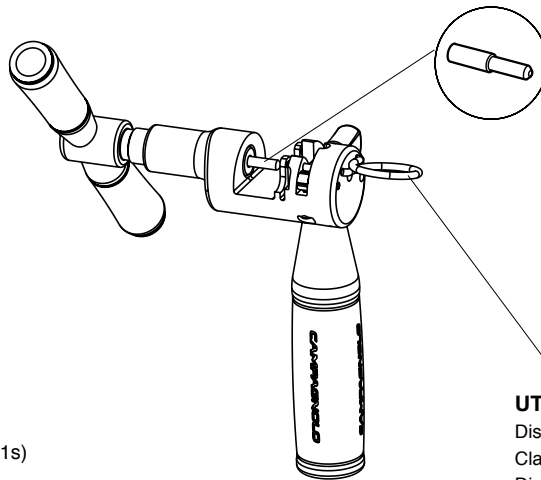
**SPROCKETS****UT-CS060**

Chiave con catena 10s per smontaggio pignoni 11s, 10s, 9s e 8s

Spanner with 10s chain for 11, 10, 9 and 8s sprockets

Fouet à chaîne 10s pour pignons 11s, 10s, 9s et 8s

Zahnkranzabnehmer mit Rennkette 10s für 11-, 10-, 9- und 8s Ritzeln



#### UT-CN301

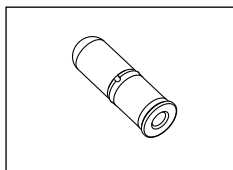
Spintore per UT-CN300 e UT-CN200  
Pusher for UT-CN300 and UT-CN200  
Poinçon pour UT-CN300 et UT-CN200  
Schieber für UT-CN300 und UT-CN200

#### UT-CN300

Utensile per *Ultra-Link™* (solo catene 11s)  
Tool for *Ultra-Link™* (11s chains only)  
Outil pour *Ultra-Link™* (seulement chaînes 11s)  
Werkzeug für *Ultra-Link™* (nur 11s Kette)

#### UT-CN302

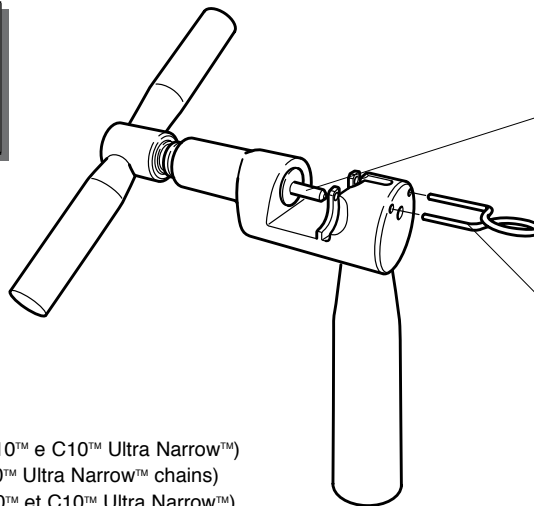
Dispositivo di blocco per UT-CN300  
Clamping device for UT-CN300  
Dispositif de blocage pour UT-CN300  
Sperrvorrichtung für UT-CN300



#### 5-CN-RE500

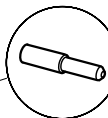
*Ultra-Link™* per catene 11s (5 pz)  
*Ultra-Link™* for 11s chains only (5 pcs)  
*Ultra-Link™* pour chaînes 11s (5 pcs)  
*Ultra-Link™* für 11s Kette (5 St.)

## 10s CHAIN



### CAMPY™ UT-CN200

Utensile per **HD-Link™** (catene C10™ e C10™ Ultra Narrow™)  
 Tool for **HD-Link™** (C10™ and C10™ Ultra Narrow™ chains)  
 Outil pour **HD-Link™** (chaînes C10™ et C10™ Ultra Narrow™)  
 Werkzeug für **HD-Link™** (C10™ und C10™ Ultra Narrow™ Kette)

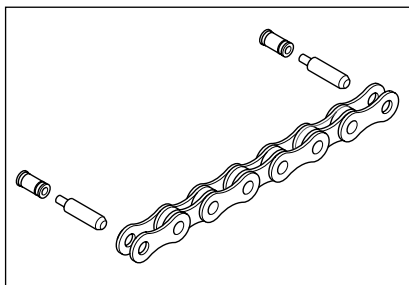


### UT-CN301

Spintore per UT-CN300 e UT-CN200  
 Pusher for UT-CN300 and UT-CN200  
 Poinçon pour UT-CN300 et UT-CN200  
 Schieber für UT-CN300 und UT-CN200

### UT-CN202

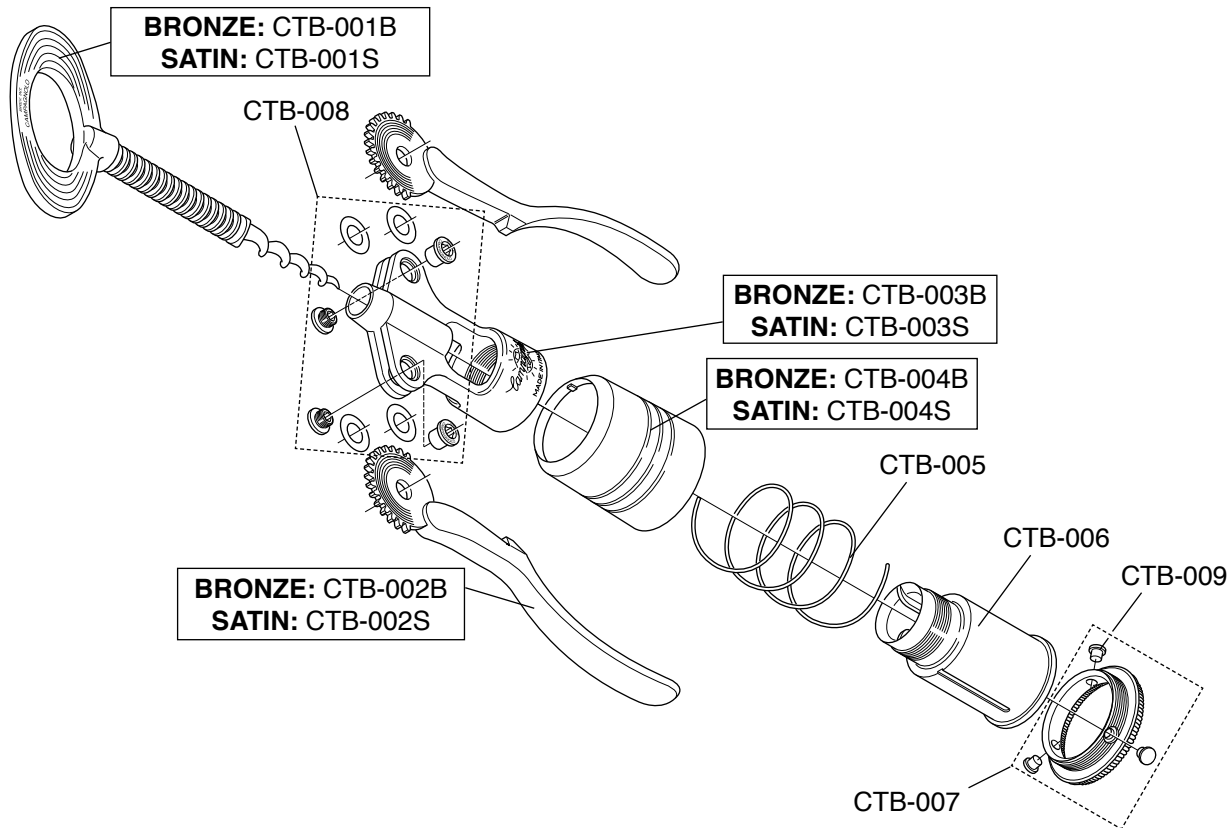
Dispositivo di blocco per UT-CN200  
 Clamping device for UT-CN200  
 Dispositif de blocage pour UT-CN200  
 Sperrvorrichtung für UT-CN200



### CN-RE400

**HD-Link™ Ultra Narrow™** (5,9 mm) per catene C10™ Ultra Narrow™  
**HD-Link™ Ultra Narrow™** (5,9 mm) for C10™ Ultra Narrow™ chains  
**HD-Link™ Ultra Narrow™** (5,9 mm) pour chaînes C10™ Ultra Narrow™ chains  
**HD-Link™ Ultra Narrow™** (5,9 mm) für C10™ Ultra Narrow™ Kette

**BIG™ bronze**  
**BIG™ satin**



**ITALY - Central Service Center**

CAMPAGNOLO SRL HEADQUARTERS  
Via della Chimica, 4 - 36100 VICENZA  
Tel. +39-0444-225500  
Fax +39-0444-225606  
E-mail: tech-info@campagnolo.com

**AUSTRALIA**

CYCLING PROJECTS  
Shop 1 - 86 King Street  
NSW 2193 Ashbury  
Tel. +61-2-97992407  
Fax +61-2-97992107

**AUSTRIA - GERMANY**

CAMPAGNOLO DEUTSCHLAND GMBH  
Alte Garten 62  
51371 LEVERKUSEN  
Tel. +49-214-206953-20  
Fax +49-214-206953-15

**BENELUX**

INTERNATIONAL CYCLE CONNECTION  
I.C.C.  
Handelspoort, 3A  
4538 BN TERNEUZEN  
Netherlands  
Tel. +31-115-649321  
Fax +31-115-649110

**CANADA**

CYCLES LAMBERT INC  
1000, Rue des Riveurs  
LEVIS, QC G6V 9G3  
Tel. +1-418-8351685  
Fax +1-418-8355322

CYCLES MARINONI INC  
1067, Levis - LACHENAIE  
QUEBEC J6W 4L2  
Tel. +1-450-4717133  
Fax +1-450-4719887

**GREAT WESTERN BICYCLE CO. LTD.**

232 West 7th Ave.  
VANCOUVER, BC V5Y 1M1  
Tel. +1-604-8722446  
Fax +1-604-87202226

**CZECH REPUBLIC**

KOLA SIRER  
V Plzenske Brane  
126601 BEROUN  
Tel. 00420 311 621355  
Fax 00420 311 625492

**DENMARK - FINLAND - NORWAY - SWEDEN**

MARKER SCANDINAVIA  
Ledborg Alle 10 - DK-4320 Lejre  
DENMARK  
Tel. +45-70228075  
Fax +45-46498088

**ESTONIA**

DENARO TEAM OÜ  
Tammsaare Tee, 62  
11316 Tallin  
Tel. 0037 25051209  
Fax 0037 26779051

**FRANCE**

CAMPAGNOLO FRANCE EURL  
ZA du Tissot  
42530 St Genest - Lerpt  
Tel. +33-477-556305  
Fax +33-477-556345

**GREECE**

CYCLES FIDUSA  
GIORGIO VOYATZIS & CO.  
Th. Sofuli 97  
85100 Rhodes  
Tel. +30-2241 021264  
Fax +30-2241 021519

**ISRAEL**

AMIT LEVINSON LTD  
25 Sheshet Hayamim Str. - Qiryat Haim  
POB 252 ZIP 26101  
Tel. +972-4-8405649  
Fax +972-4-8423913

**JAPAN**

CAMPAGNOLO JAPAN LTD  
65 Yoshida-cho, Naka-ku, Yokohama  
231-0041 JAPAN  
Tel. +81-45-264-2780  
Fax +81-45-241-8030

**KOREA**

COMET BICYCLE ASSOCIATION  
226-20 Duckpungdong Hanamsi  
Kyounggido  
Tel. +82-31-7958357/8358  
Fax +82-31-7958359

**NEW ZEALAND**

WH WORRALL CO. LTD.  
43 Felix St./Penrose - P.O. Box 12481  
Auckland  
Tel. +64-9-6360641  
Fax +64-9-6360631

**SINGAPORE**

TRIMEN VENTURES PTE LTD  
1 Bukit Batok Crescent #08-04  
WCEGA Plaza  
Singapore 658064  
Tel: +65 6354 3030  
Fax: +65 6354 3020

**SPAIN**

CAMPAGNOLO IBERICA S.L.  
Avda. de Los Huetos 46 Pab. 31  
01010 VITORIA  
Tel. +34-945-217195  
Fax +34-945-217198

**SLOVAC REPUBLIC**

ZANZO S.R.O.

Kysucky Lieskovec 421  
02334 BRATISLAVA  
Tel. 00421 245 523721  
Fax 00421 245 249404

**SOUTH AFRICA**

CYCLING J&amp;J (PTY) LTD.

169 Meerlust Street – Willow Glen PRETORIA  
Tel. +27-012-8075570  
Fax +27-012-8074267

**SWITZERLAND**

SWISSBIKE PIERO ZURINO GMBH

Pilatusstr. 4 - 6036 Dierikon  
Tel. +41-41-7485550  
Fax +41-41-7485551

U.G.D. SPORT DIFFUSION S.A.

La Taille - 2053 CERNIER  
Tel. +41-32-8536363  
Fax +41-32-8536464

**TAIWAN, MAINLAND CHINA, VIETNAM**

COLMAX INTERNATIONAL LTD

No. 6 Lane 295 Sec. 3 Dongmen Rd  
Tainan City  
Tainan County, TAIWAN  
Tel. +886-6-265 6001  
Fax +886-6-265 1388

**UNITED KINGDOM**

CHICKEN CYCLEKIT

Unit b2, Cherrycourt Way  
LU7 4UH Bedfordshire  
Tel. +44(0)-1525 381347  
Fax +44(0)-1525 385361

CYCLESPOORT NORTH LTD

464 Ranglet RoadWalton  
PR5 8AR Lancashire  
Tel. +44(0)-1772 339220  
Fax +44(0)-1772 339290

JIM WALKER &amp; CO. Ltd

13 Apex Park - Diplocks Way  
BN27 3JU East Sussex  
Tel. +44(0)-1323 445155  
Fax +44(0)-1323 845849

VELOTECH CYCLING LTD

37 Dingleberry, Olney, Bucks  
MK46 5ES Buckinghamshire  
Tel. +44(0)-7533 129 435

**UNITED STATES**

CAMPAGNOLO NORTH AMERICA INC.

5431 Avenida Encinas, Suite C  
CARLSBAD CA 92008  
Tel. +1-760-9310106  
Fax +1-760-9310991

OCHSNER INT. INC

246 E. Marquardt Drive - WHEELING  
Il. 60090-6430  
Tel. +1-847-4658200  
Fax +1-847-4658282

QUALITY BIC. PRODUCTS

6400 W. 105th Street  
BLOOMINGTON, MN 55438-2554  
Tel. +1-952-9419391  
Fax +1-952-9419799

THE HAWLEY COMPANY, INC.

1181 South Lake Drive  
Lexington, SC 29073-7744  
Tel. +1-803.359.3492 x 192  
Fax +1-803.359.1343

Campagnolo®, Campy®, Super Record®, Record®, Chorus®, Athena®, EPS®, CT®, Centaur®, Veloce®, Mirage®, Xenon®, ESP®, ESP ACTUATION SYSTEM®, Ultra-Shift®, Vari-Cushion®, No-Bulge™, OS-Fit™, Ultra-Link®, CULT®, USB®, XPSS®, MPS®, Power Torque System®, Power-Shift®, BE 11®, Revolution 11®, Campy Tech Lab®, 2-Way Fit®, Ultra-Fit™ Tubeless, Hyperon®, Neutron®, Proton®, Eurus®, Zonda®, Scirocco®, Vento®, Reaction™, Bora®, Ghibli®, Pista®, Khamsin®, Shamal®, Time Trial®, Ergobrain®, Symmetric Action®, Z-shape®, M-brace®, Even-O®, Superlative®, Floating-Link-Action®, HD-Link®, HD-L®, Exa-Drive®, Ultra-Drive®, Pro-Fit®, Pro-Fit PLUS®, Differential brakes®, Threadless®, Hiddenset®, Hiddenset TTC®, TTC®, Ergopower®, BB System®, C10®, C9®, ED®, UD®, Ultra Narrow®, Ultra-Torque®, UT®, Ultra-Hollow®, Skeleton®, Quick Shift®, QS®, Escape®, Infinite®, Champ Triple®, Race Triple®, Comp Triple®, HPW®, G3®, Grouped Spokes®, DPR0®, Dual Profile®, Ultralinear-Geometry®, Ultralinear®, Differential rims®, Differential spokes®, Asymmetric®, Ultra®, Ultra Aero®, Full Carbon®, Multidirectional®, Unidirectional®, AC-H®, AC-S®, SC-S®, Big®, Miro®, Pro-Shop®, Tecnologia ed Emozione®, are Campagnolo Srl Trademarks.







# CAMPAGNOLO IN THE WORLD

## HEADQUARTERS:

### ITALY

CAMPAGNOLO S.R.L.  
Via della Chimica, 4  
36100 Vicenza - ITALY  
Phone: +39-0444-225500  
Fax: +39-0444-225400

[www.campagnolo.com](http://www.campagnolo.com)

## SUBSIDIARIES:

### FRANCE

CAMPAGNOLO FRANCE SAS  
ZA du Tissot - 42530 St Genest - Lertp  
FRANCE  
Phone: +33-477-556305  
Fax: +33-477-556345

### GERMANY

CAMPAGNOLO DEUTSCHLAND GMBH  
Alte Garten 62  
51371 Leverkusen - GERMANY  
Phone: +49-214-206953-0  
Fax: +49-214-206953-15

### JAPAN

CAMPAGNOLO JAPAN LTD  
65 Yoshida-cho, Naka-ku, Yokohama  
231-0041 JAPAN  
Phone: +81-45-264-2780  
Fax: +81-45-241-8030

### SPAIN

CAMPAGNOLO IBERICA S.L.  
Avda. de Los Huetos 46. pab. 3-2ª fila  
01010 Vitoria - SPAIN  
Phone: +34-945-217195  
Fax: +34-945-217198

### TAIWAN

PRIMATEK LTD  
No. 26, Gongyequ 18th Rd., Nantun Dist.,  
Taichung City 408 - TAIWAN (R.O.C.)  
Phone: +886-4-23506831  
Fax: +886-4-23596764

## SUBSIDIARIES:

### UNITED STATES

CAMPAGNOLO NORTH AMERICA INC.  
5431 Avenida Encinas, Suite C -  
CARLSBAD CA 92008 - U.S.A.  
Phone: +1-760-9310106  
Fax: +1-760-9310991

## AGENCIES:

### BENELUX

INT. CYCLE CONNECTION I.C.C.  
Handelspoort 3A  
4538 BN Terneuzen  
NEDERLAND  
Tel. + 31 (0)115 649321  
Fax + 31 (0)115 649110

### DENMARK - SWEDEN - NORWAY- FINLAND

MARKER SCANDINAVIA  
Ledreborg Alle 10 - DK-4320 Lejre  
DENMARK  
Tel. +45-70228075  
Fax +45-46498088

### SOUTH AMERICA

GEORGE PANARA  
Sao Paulo - BRASIL  
Tel.: +55 11 4436 9123  
Fax: +55 11 4436 12 13

### UNITED KINGDOM

SELECT CYCLE COMPONENTS  
The White House  
Main Street  
NEWTON NI13 8HN - ENGLAND  
Tel. +44-0780260628  
Fax +44-1949-829039

## TECHNICAL INFORMATION:

### ITALY (CENTRAL)

Phone: +39-0444-225600  
Fax: +39-0444-225400

### FRANCE

Phone: +33-477-554449  
Fax: +33-477-556345

### GERMANY

Phone: +49-214-206953-20  
Fax: +49-214-206953-15

### SPAIN

Phone: +34-945-217195  
Fax: +34-945-217198

### U.S.A.

Phone: +1-760-9310106  
Fax: +1-760-9310991

### JAPAN

Phone: +81-45-264-2780  
Fax: +81-45-241-8030