

Campagnolo®

SPARE PARTS
and TOOLS
catalogue

2007

SERIE STERZO • HEADSET • STEUERSATZ • JEU DE DIRECTION

Record™ - Record™ Threadless™ 1" - 1-1/8"	1
Record™ Hiddenset™ 1-1/8" - 1-1/8" TTC™	2
Chorus™ Threadless™	1
Chorus™ Hiddenset™ 1-1/8" - 1-1/8" TTC™ - Centaur™ Hiddenset™ 1-1/8"	3

REGGISSELLA • SEAT POST • SATTELSTÜTZE • TIGE DE SELLE

Record™ Carbon - Chorus™ Carbon - Centaur™	4
--	---

MOVIMENTO CENTRALE • BOTTOM BRACKET • INNENLAGER • JEU DE PEDALIER

Record™ Pista™	5
Centaur™	6
Veloce™	7

GUARNITURA • CRANKSET • KETTENRADGARNITUR • PEDALIER

Record™ ULTRA-TORQUE™ Carbon 10s	8
Record™ ULTRA-TORQUE™ CT™ Carbon 10s	9
Record™ Pista™	10
Chorus™ ULTRA-TORQUE™ Carbon 10s	11
Chorus™ ULTRA-TORQUE™ CT™ Carbon 10s	12
Centaur™ ULTRA-TORQUE™ 10s	13
Centaur™ ULTRA-TORQUE™ CT™ 10s	14
Veloce™ ULTRA-TORQUE™ 10s - Veloce™ INFINITE™ ULTRA-TORQUE™ 10s	15
Veloce™ ULTRA-TORQUE™ CT™ 10s - Veloce™ INFINITE™ ULTRA-TORQUE™ CT™ 10s	16
Mirage™ ULTRA-TORQUE™ 10s	17
Mirage™ ULTRA-TORQUE™ CT™ 10s	18
Xenon™ CT™ 10s	19
Comp Triple™ 10s	20
Race Triple™ 10s	21
Champ Triple™ 9s	22
Time Trial™ chainrings	23

CAMBIO • REAR DERAILLEUR • SCHALTUNG • DERAILLEUR ARRIERE

Record™ 10s	24
Chorus™ 10s	25
Centaur™ 10s	26
Veloce™ 10s - Veloce™ INFINITE™ 10s	27
Mirage™ 10s	28
Xenon™ 10s	29
Comp Triple™ 10s	30
Race Triple™ 10s	31
Champ Triple™ 9s	32

DERAGLIATORE • FRONT DERAILLEUR • UMWERFER • DERAILLEUR AVANT

Record™ QS™ 10s	33
Record™ QS™ CT™ 10s	34
Chorus™ QS™ 10s	35
Chorus™ QS™ CT™ 10s	36
Centaur™ QS™ 10s	37
Centaur™ QS™ CT™ 10s	38
Veloce™ QS™ 10s - Veloce™ QS™ INFINITE™ 10s	39
Veloce™ QS™ CT™ 10s - Veloce™ QS™ INFINITE™ CT™ 10s	40
Mirage™ QS™ 10s	41
Mirage™ QS™ CT™ 10s	42
Xenon™ QS™ CT™ 10s	43
Comp Triple™ 10s	44
Race Triple™ 10s	45
Champ Triple™ 9s	46

ERGOPOWER™ CONTROL LEVERS

Record™ QS™ 10s	47
Chorus™ QS™ 10s	48
Centaur™ QS™ ESCAPE™ 10s	49
Veloce™ QS™ ESCAPE™ 10s	50
Mirage™ QS™ ESCAPE™ 10s	51
Xenon™ QS™ ESCAPE™ 10s	52
Ergopower™ control levers / rear derailleurs cross compatibility	53

ERGOPOWER™ FLAT-BAR CONTROL LEVERS

Chorus™ FB 10s	55
Veloce™ FB 10s	56
Veloce™ FB 10s for Linear Pull Cantilever brakes	57
Mirage™ FB 10s	58
Mirage™ FB 10s for Linear Pull Cantilever brakes	59

FRENI • BRAKES • BREMSSEN • FREINS

Record-D™ SKELETON™	60
Chorus-D™ SKELETON™	61
Centaur-D™ SKELETON™	62
Centaur™	63
Veloce-D™ SKELETON™ - Veloce-D™ INFINITE™ SKELETON™	64
Veloce™	65
Veloce™ Linear Pull Cantilever	66
Mirage™ Black	67
Mirage™ Black Linear Pull Cantilever	68

BAR-END

Time Trial™ Bar-End	69
---------------------------	----

COMANDI FRENO • BRAKE LEVERS • BREMSHEBEL • POIGNEES DE FREINS

Record™ Carbon	70
----------------------	----

BLOCCAGGI • QUICK RELEASES • SCHNELLSPANNER • BLOCAGES

Complete quick-releases and spares	71
--	----

MOZZI • HUBS • NABEN • MOYEUX

Record™ front hub	72
Record™ rear hub	73
Centaur™ / Veloce™ front and rear hub	74
Mirage™ front and rear hub	75
Record™ Pista™ front hub	76
Record™ Pista™ rear hub	77

GHIERE • LOCKRINGS • VERSCHLUSSRING • ECROUS

Complete range	78
----------------------	----

PIGNONI • SPROCKETS • RITZEL • CASSETTES

Record™ UD™ 10s	79
Record™ UD™ 10s Titanium	80
Chorus™ UD™ 10s	81
Centaur™ UD™ 10s	82
Veloce™ UD™ 10s	83
Veloce™ UD™ 9s (Mirage™ compatible)	84

PEDALI • PEDALS • PEDALE • PEDALES

Record™ Pro-Fit PLUS™	85
Chorus™ Pro-Fit PLUS™	85
Other spares	86

CAVI E GUAINE • CABLES AND CASINGS • KABEL UND HÜLLEN • CABLES ET GAINES

Complete sets	88
Single parts	89

ERGOBRAIN™

Parts	90
-------------	----

VARI • VARIOUS • VERSCHIEDENES • DIVERSES

Ergopower™ control levers blocks / 8s adapter kit for 9/10s / HD-Link™ / Wheel bag	92
Original spare parts	93

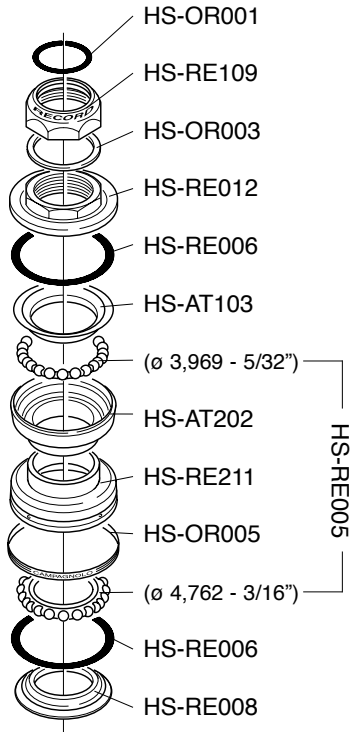
RUOTE • WHEELS • LAUFRÄDER • ROUES

LOW-PROFILE WHEEL - Hyperon™ Ultra™ clincher	94
LOW-PROFILE WHEEL - Hyperon™ Ultra™ tubular	95
LOW-PROFILE WHEEL - Neutron™ clincher	96
LOW-PROFILE WHEEL - Neutron™ Ultra™ clincher	97
MEDIUM-PROFILE WHEEL - Shamal™ Ultra™ clincher	98
MEDIUM-PROFILE WHEEL - Shamal™ Ultra™ tubular	99
MEDIUM-PROFILE WHEEL - Eurus™ clincher	100
MEDIUM-PROFILE WHEEL - Eurus™ tubular	101
MEDIUM-PROFILE WHEEL - Zonda™ clincher	102
MEDIUM-PROFILE WHEEL - Scirocco™ clincher	103
MEDIUM-PROFILE WHEEL - Vento™ clincher	104
MEDIUM-PROFILE WHEEL - Khamsin™ clincher	105
HIGH-PROFILE WHEEL - Bora™ Ultra™ tubular	106
HIGH-PROFILE WHEEL - Pista™ tubular	107
Bora™ Ultra™ / Hyperon™ Ultra™ tubular / Hyperon™ Ultra™ clincher front hub	108
Bora™ Ultra™ / Hyperon™ Ultra™ tubular / Hyperon™ Ultra™ clincher rear hub	109
Eurus™ / Zonda™ / Shamal™ Ultra™ front hub	110
Eurus™ / Zonda™ / Shamal™ Ultra™ rear hub	111
Neutron™ / Neutron™ Ultra™ front hub	112
Neutron™ / Neutron™ Ultra™ rear hub	113
Scirocco™ front and rear hub	114
Vento™ / Khamsin™ front and rear hub	115
Pista™ front hub	116
Pista™ rear hub	117

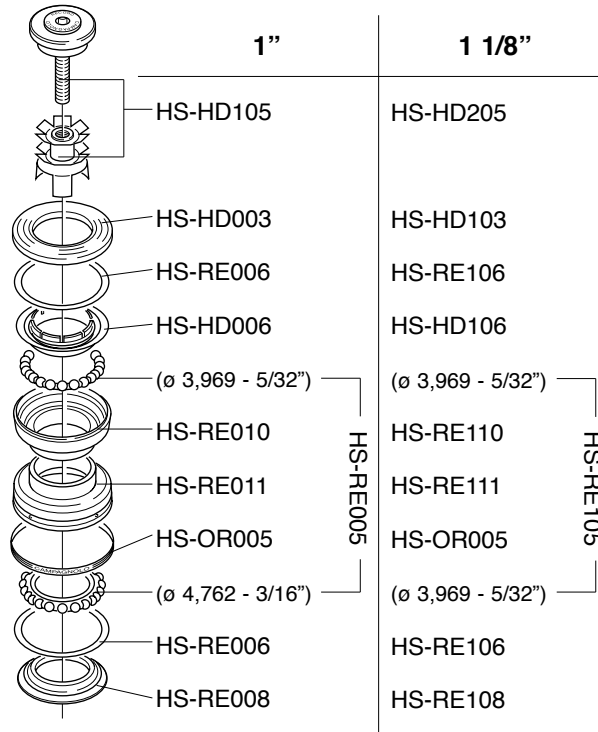
UTENSILI • TOOLS • WERKZEUGE • OUTILS

Recommended tools	118
Headset	119
Bottom bracket	124
Frame preparation	128
Cranks / chainrings	130
Hubs & wheels	132
Sprockets / chains	135
Glossary	136
Service Centers	137

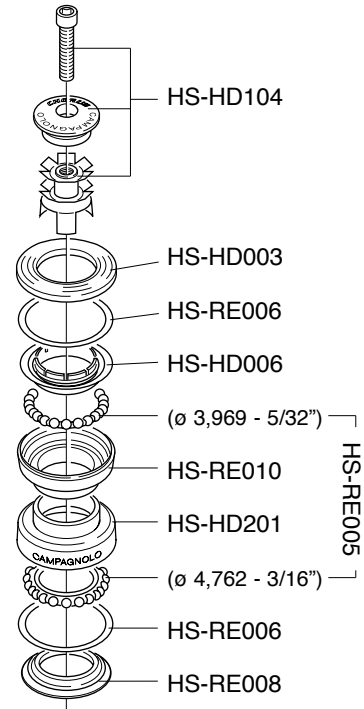
RECORD™
HS7-RE



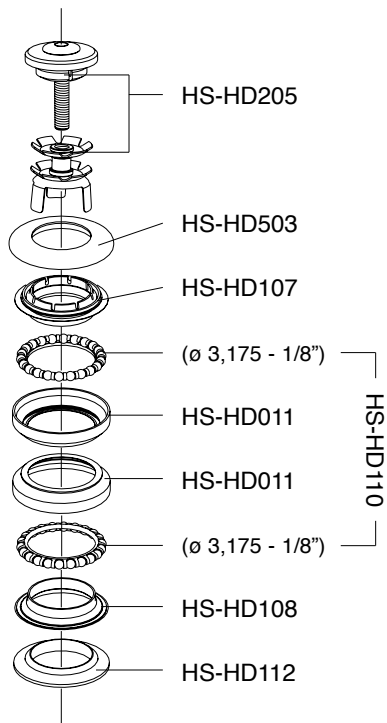
RECORD™ Threadless™
1": HS00-RETH
1 1/8": HS00-RETHOS



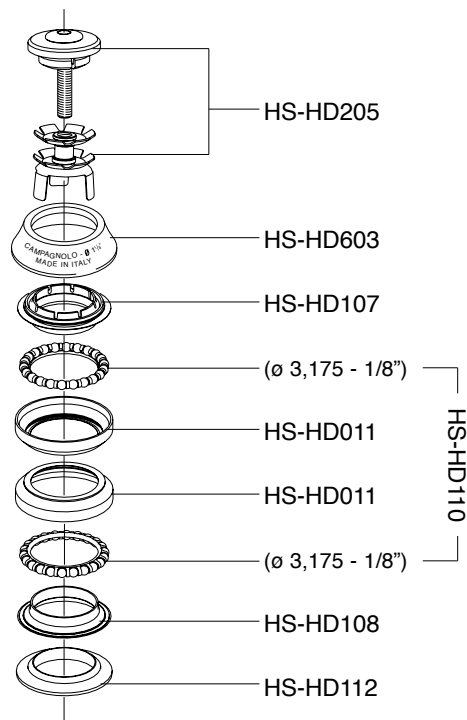
CHORUS™
Threadless™
HS00-CHTH



RECORD™
Hiddenset™
1 1/8": HS03-REHIOS



RECORD™
Hiddenset™ TTC™
1 1/8": HS03-REHIOST

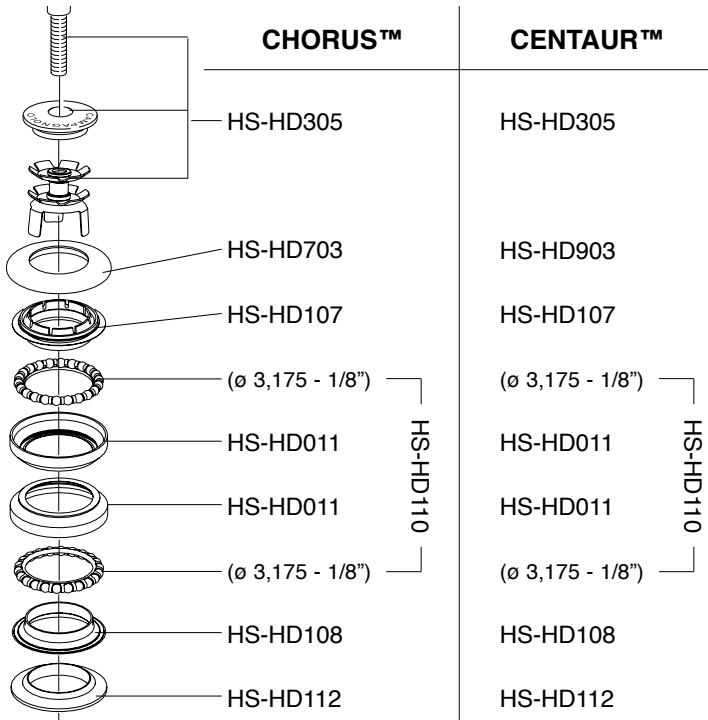


CHORUS™ Hiddenset™

1 1/8": HS03-CHHIOS

CENTAUR™ Hiddenset™

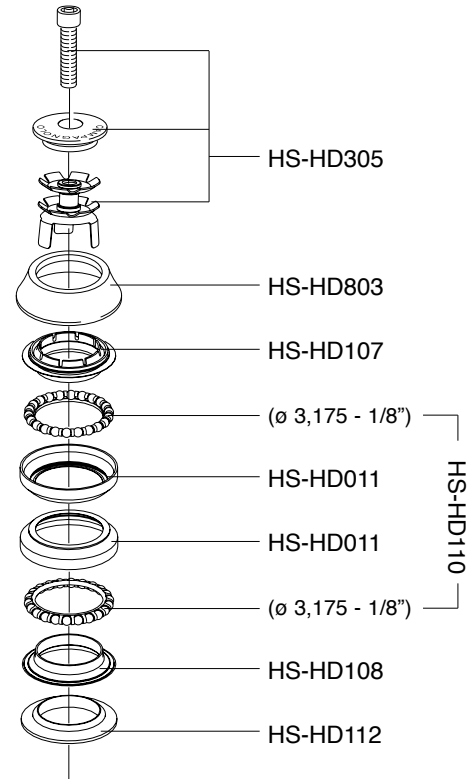
1 1/8": HS4-CEH8



CHORUS™ Hiddenset™

TTC™

1 1/8": HS03-CHHIOST

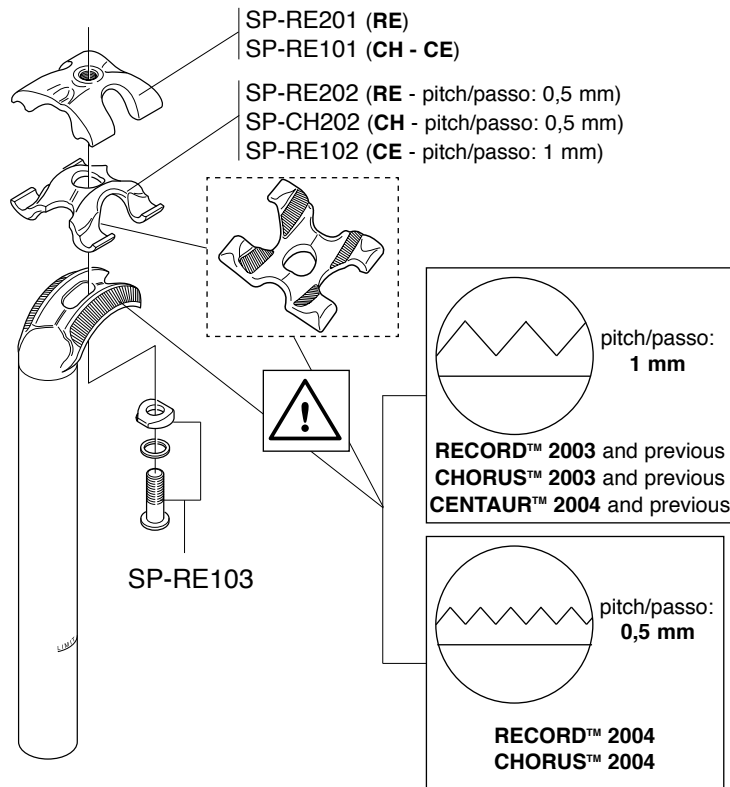


HEADSET

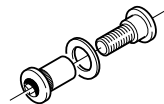
RECORD™
Carbon
SP4-RE27C
SP4-RE31CL
SP4-RE32CL

CHORUS™
Carbon
SP4-CH27C
SP4-CH31CL
SP4-CH32CL

CENTAUR™
SP4-CE27



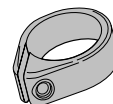
5-SP-RE104 (5 pcs.)
50-SP-RE104 (50 pcs.)



SP-RE106 (1 pc.)
5-SP-RE106 (5 pcs.)
 per tubi Ø 31,6 / 31,9 mm
 for tubes Ø 31,6 / 31,9 mm

SP-RE108 (1 pc.)
5-SP-RE108 (5 pcs.)
 per tubi Ø 34,9 / 35,2 mm
 for tubes Ø 34,9 / 35,2 mm

SP-RE107 (1 pc.)
5-SP-RE107 (5 pcs.)
 per tubi Ø 35,5 / 35,8 mm
 for tubes Ø 35,5 / 35,8 mm



! **WARNING!**

With the 2004 product range the pitch of all the heads (5 - Fig. 1) on the RECORD™ and CHORUS™ seat post tubes and the relevant seat clamps (1 - Fig. 1) has been reduced from 1 mm to 0.5 mm. A seat clamp (1 - Fig. 1) with 0.5 mm pitch is not compatible with heads (5 - Fig. 1) with a 1-mm pitch and vice versa. NEVER use seat clamps and heads that are not compatible with one another; the seat clamp could slip causing you to lose control of your bicycle, resulting in an accident, personal injury or death.

! **ATTENZIONE!**

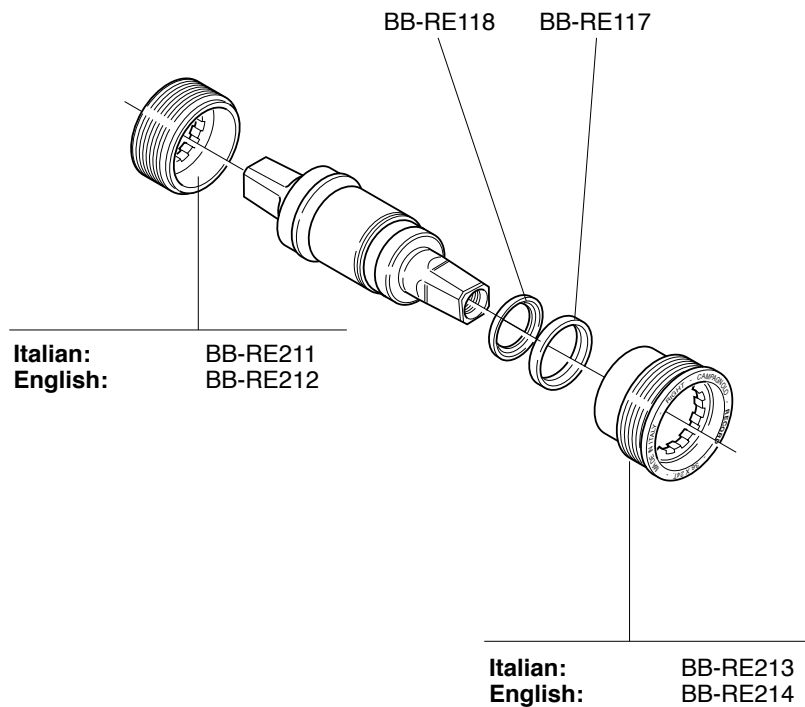
A partire dalla gamma 2004 è stato dimezzato il passo (da 1 mm a 0,5 mm) di tutte le teste (5 - Fig. 1) e delle relative staffe inferiori (1 - Fig. 1) dei reggisella RECORD™ e CHORUS™. Una staffa (1 - Fig. 1) con passo da 0,5 mm non è compatibile con le teste (5 - Fig. 1) con passo da 1 mm e viceversa. Non utilizzate MAI staffe e teste non compatibili tra loro; la staffa potrebbe slittare e potreste incorrere in incidenti, lesioni fisiche o morte.

RECORD™ PISTA™

111 mm

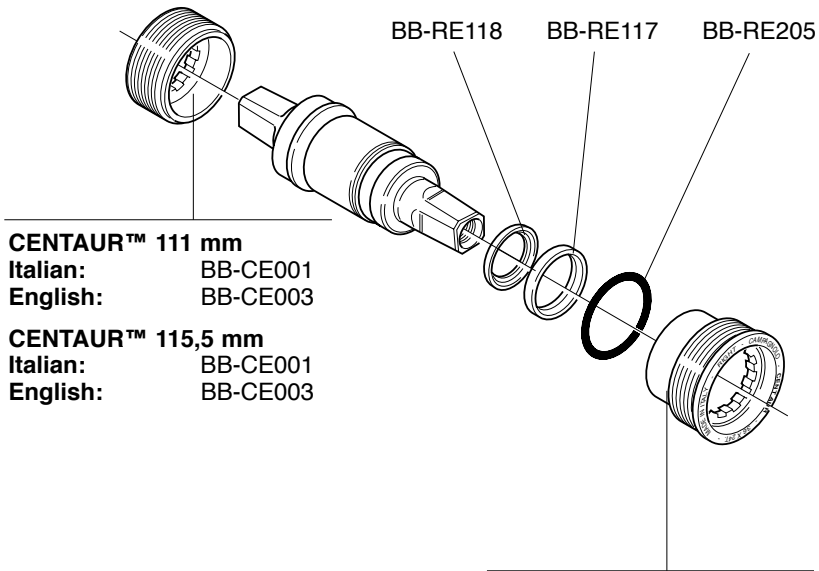
BB01-REPIIT

BB01-REPIBC



CENTAUR™
111 mm
BB5-CE1I
BB5-CE1G

115,5 mm
BB6-CE5I
BB6-VE5G



CENTAUR™ 111 mm
Italian: BB-CE001
English: BB-CE003

CENTAUR™ 115,5 mm
Italian: BB-CE001
English: BB-CE003

CENTAUR™ 111 mm
Italian: BB-CE002
English: BB-CE004

CENTAUR™ 115,5 mm
Italian: BB-CE102
English: BB-CE104

VELOCE™

111 mm

BB6-VL1I

BB6-VL1G

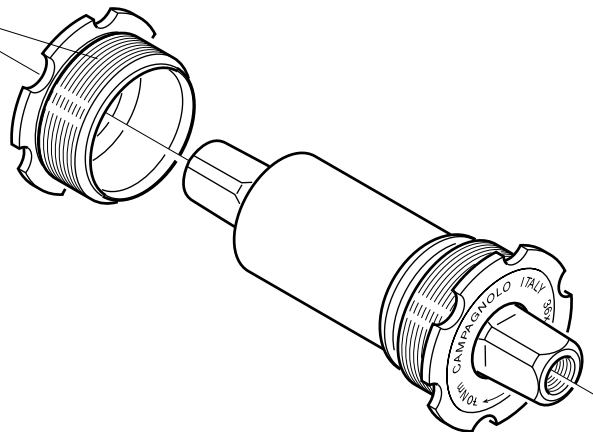
115,5 mm

BB6-VL5I

BB6-VL5G

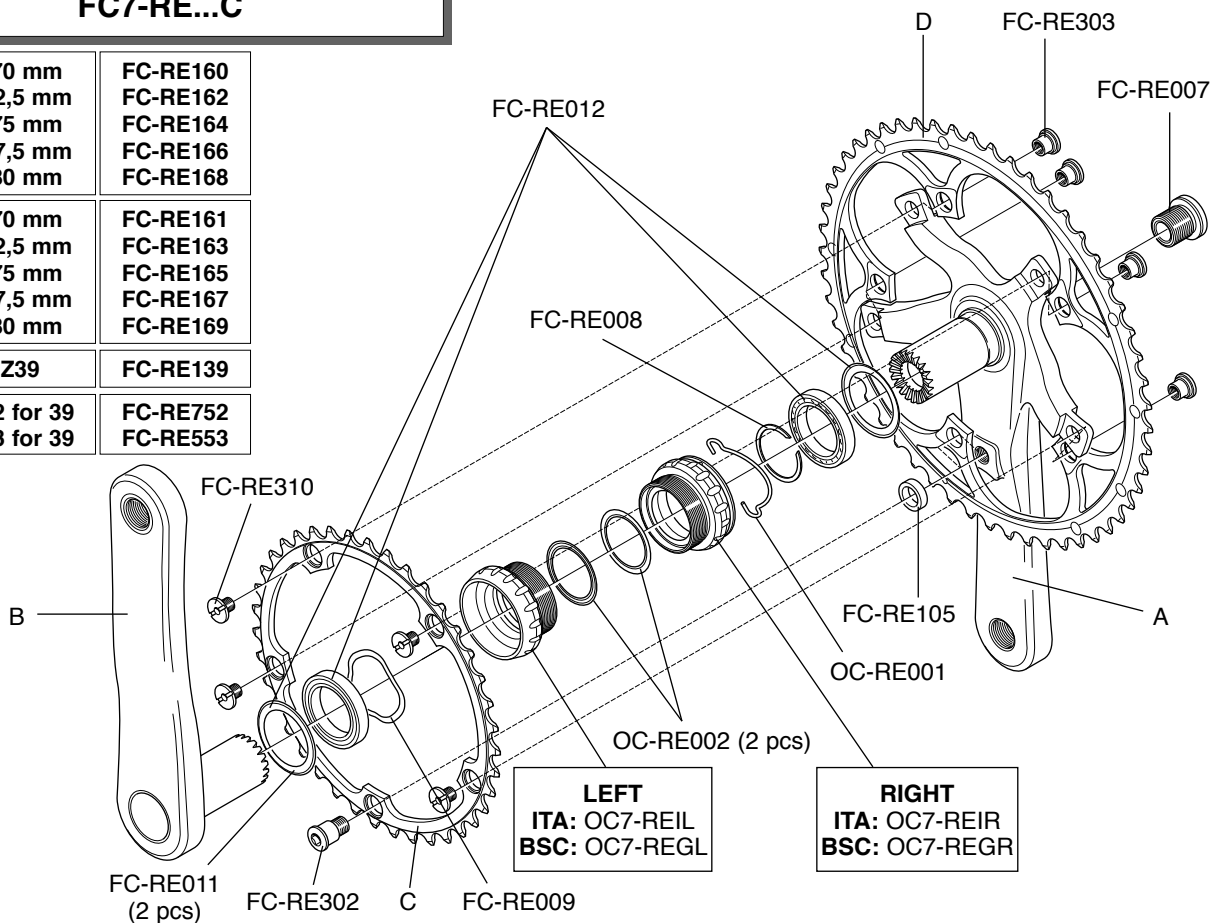
ITALIAN:
BB-VL101 (VELOCE™)

ENGLISH:
BB-VL103 (VELOCE™)



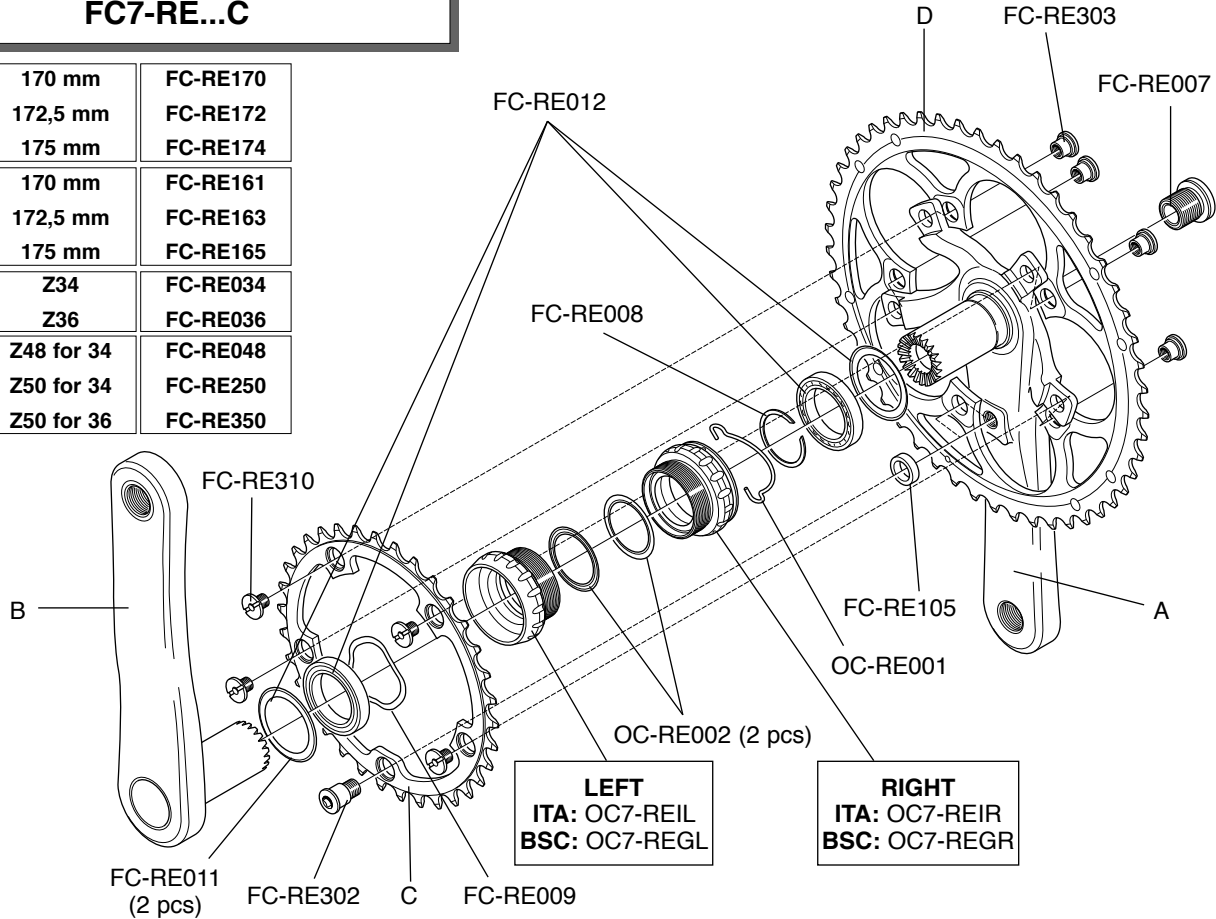
RECORD™ ULTRA-TORQUE™
Carbon 10s
FC7-RE...C

A	170 mm	FC-RE160
	172,5 mm	FC-RE162
	175 mm	FC-RE164
	177,5 mm	FC-RE166
	180 mm	FC-RE168
B	170 mm	FC-RE161
	172,5 mm	FC-RE163
	175 mm	FC-RE165
	177,5 mm	FC-RE167
	180 mm	FC-RE169
C	Z39	FC-RE139
D	Z52 for 39	FC-RE752
	Z53 for 39	FC-RE553



RECORD™ ULTRA-TORQUE™
CT™ Carbon 10s
FC7-RE...C

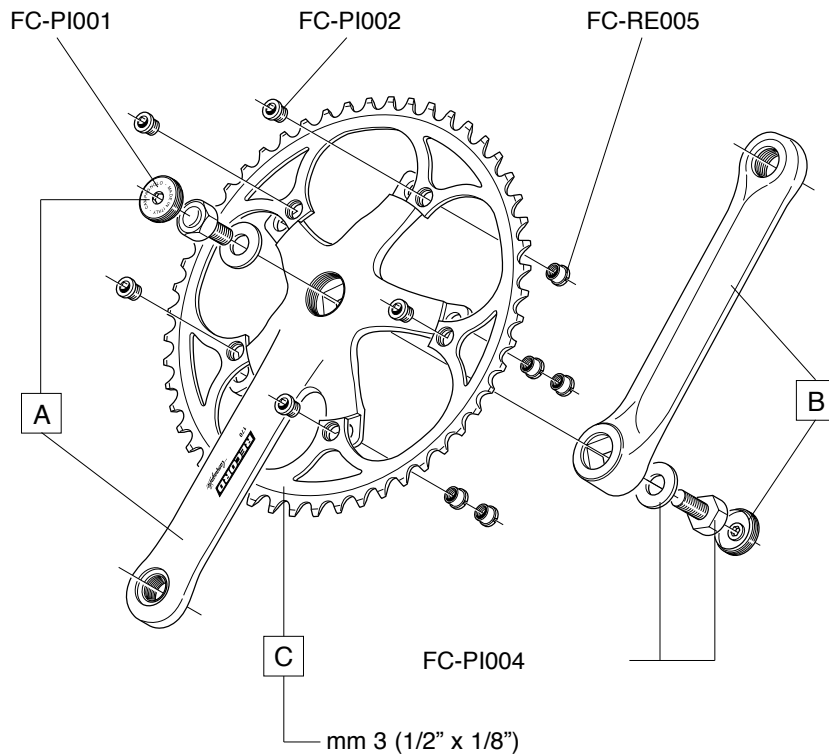
A	170 mm	FC-RE170
	172,5 mm	FC-RE172
	175 mm	FC-RE174
B	170 mm	FC-RE161
	172,5 mm	FC-RE163
	175 mm	FC-RE165
C	Z34	FC-RE034
	Z36	FC-RE036
D	Z48 for 34	FC-RE048
	Z50 for 34	FC-RE250
	Z50 for 36	FC-RE350



CRANKSET

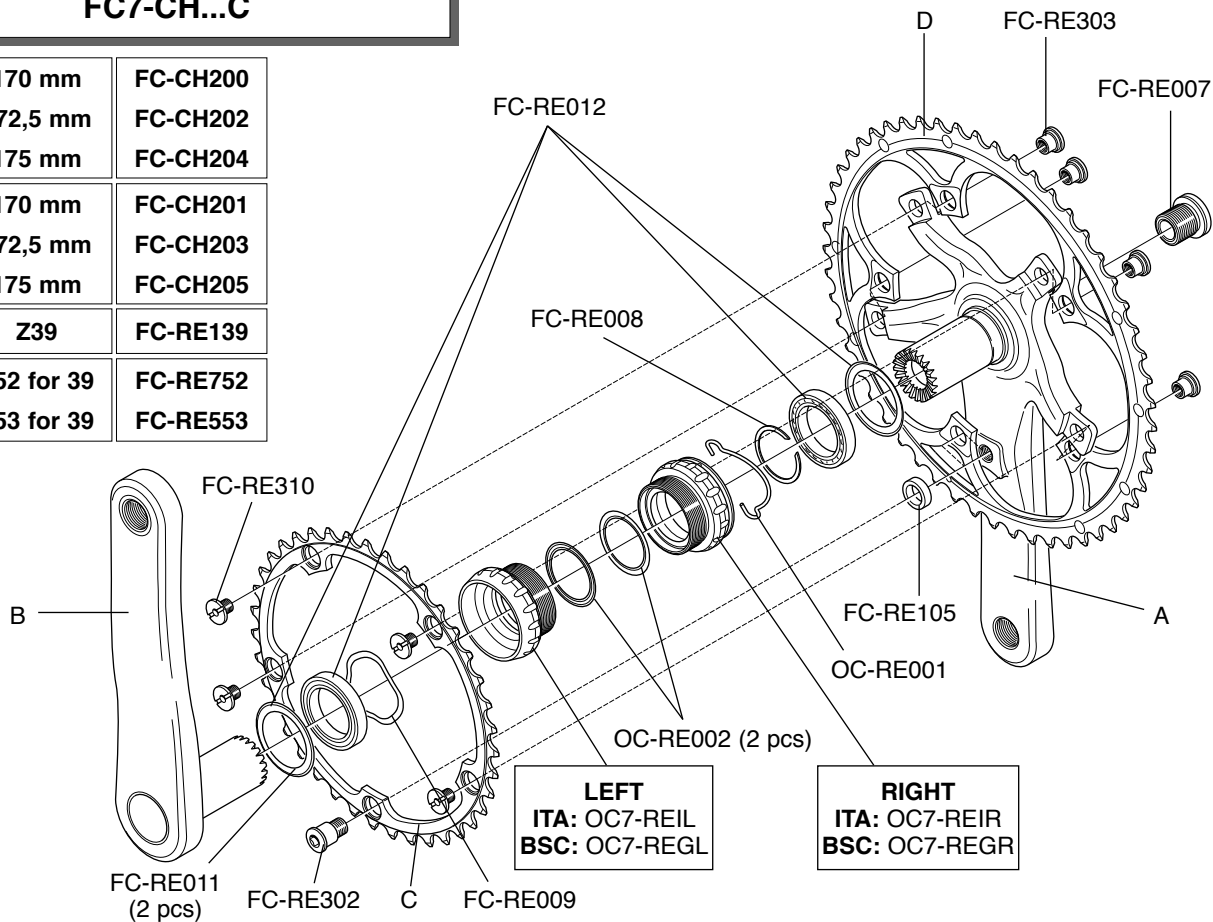
RECORD™
PISTA™
FC01-REPL...

A	165 mm	FC-PI365
	170 mm	FC-PI370
B	165 mm	FC-PI465
	170 mm	FC-PI470
C	Z47	FC-PI047
	Z48	FC-PI048
	Z49	FC-PI049
	Z50	FC-PI050
	Z51	FC-PI051
	Z52	FC-PI052



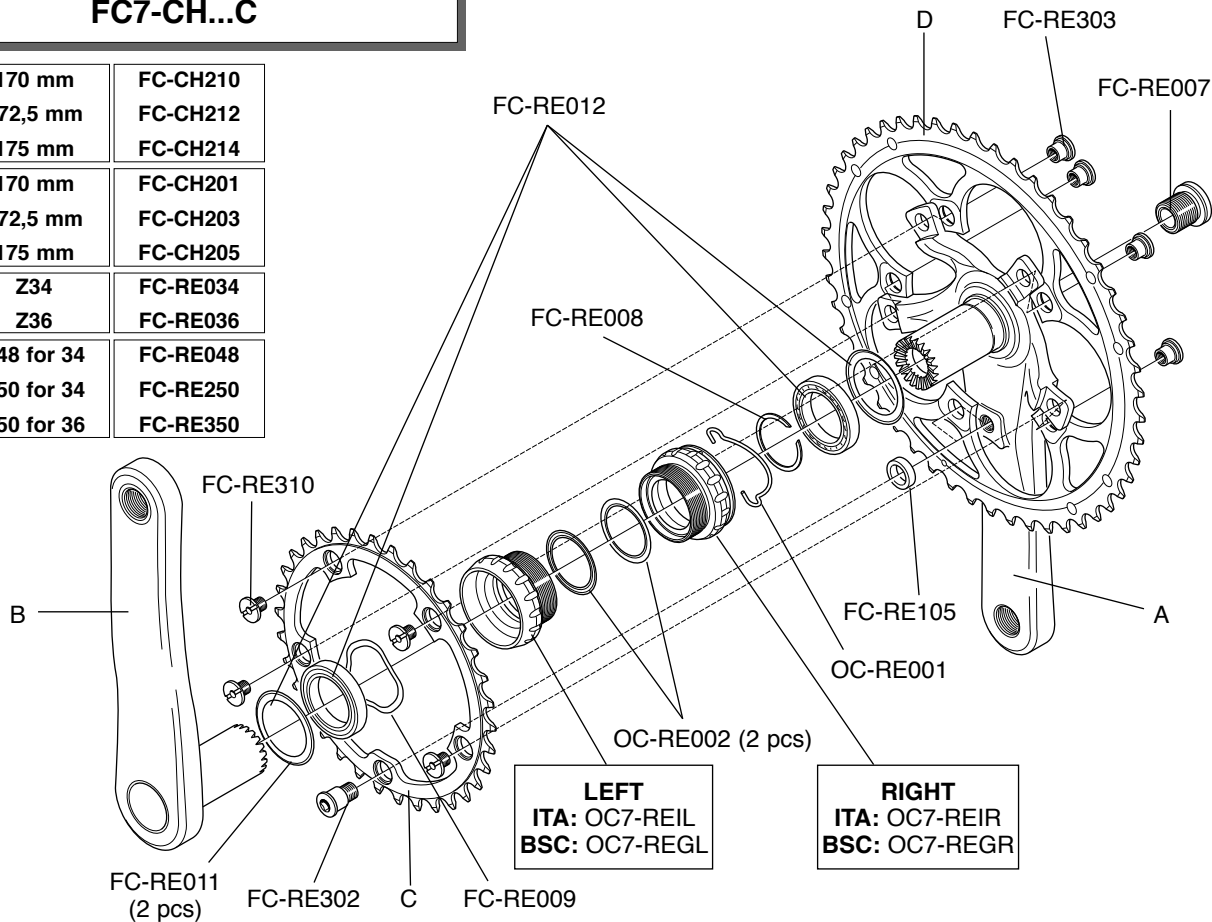
CHORUS™ ULTRA-TORQUE™
Carbon 10s
FC7-CH...C

A	170 mm	FC-CH200
	172,5 mm	FC-CH202
	175 mm	FC-CH204
B	170 mm	FC-CH201
	172,5 mm	FC-CH203
	175 mm	FC-CH205
C	Z39	FC-RE139
D	Z52 for 39	FC-RE752
	Z53 for 39	FC-RE553



CHORUS™ ULTRA-TORQUE™ **CT™ Carbon 10s** **FC7-CH...C**

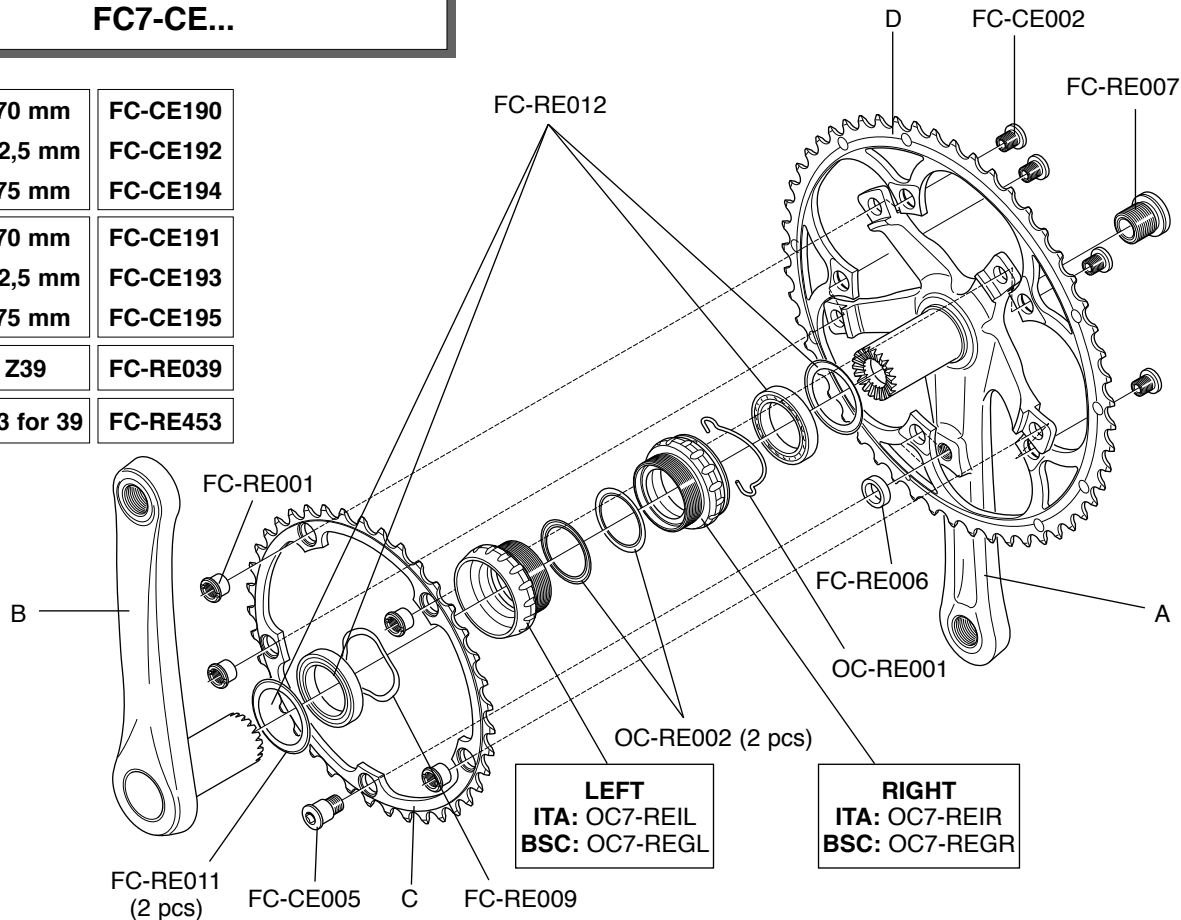
A	170 mm	FC-CH210
	172,5 mm	FC-CH212
	175 mm	FC-CH214
B	170 mm	FC-CH201
	172,5 mm	FC-CH203
	175 mm	FC-CH205
C	Z34	FC-RE034
	Z36	FC-RE036
D	Z48 for 34	FC-RE048
	Z50 for 34	FC-RE250
	Z50 for 36	FC-RE350



CENTAUR™ ULTRA-TORQUE™

10s
FC7-CE...

A	170 mm	FC-CE190
	172,5 mm	FC-CE192
	175 mm	FC-CE194
B	170 mm	FC-CE191
	172,5 mm	FC-CE193
	175 mm	FC-CE195
C	Z39	FC-RE039
D	Z53 for 39	FC-RE453

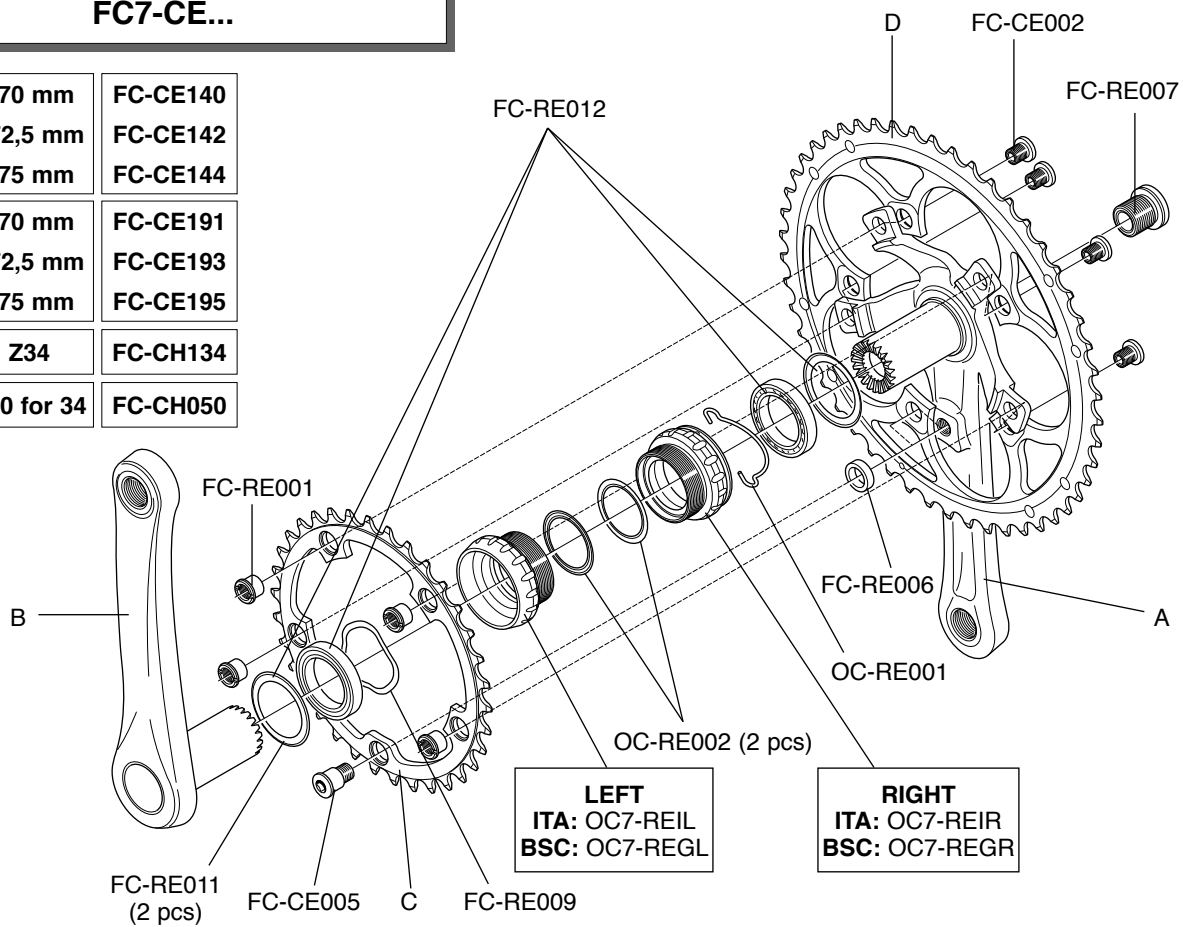


CRANKSET

CRANKSET

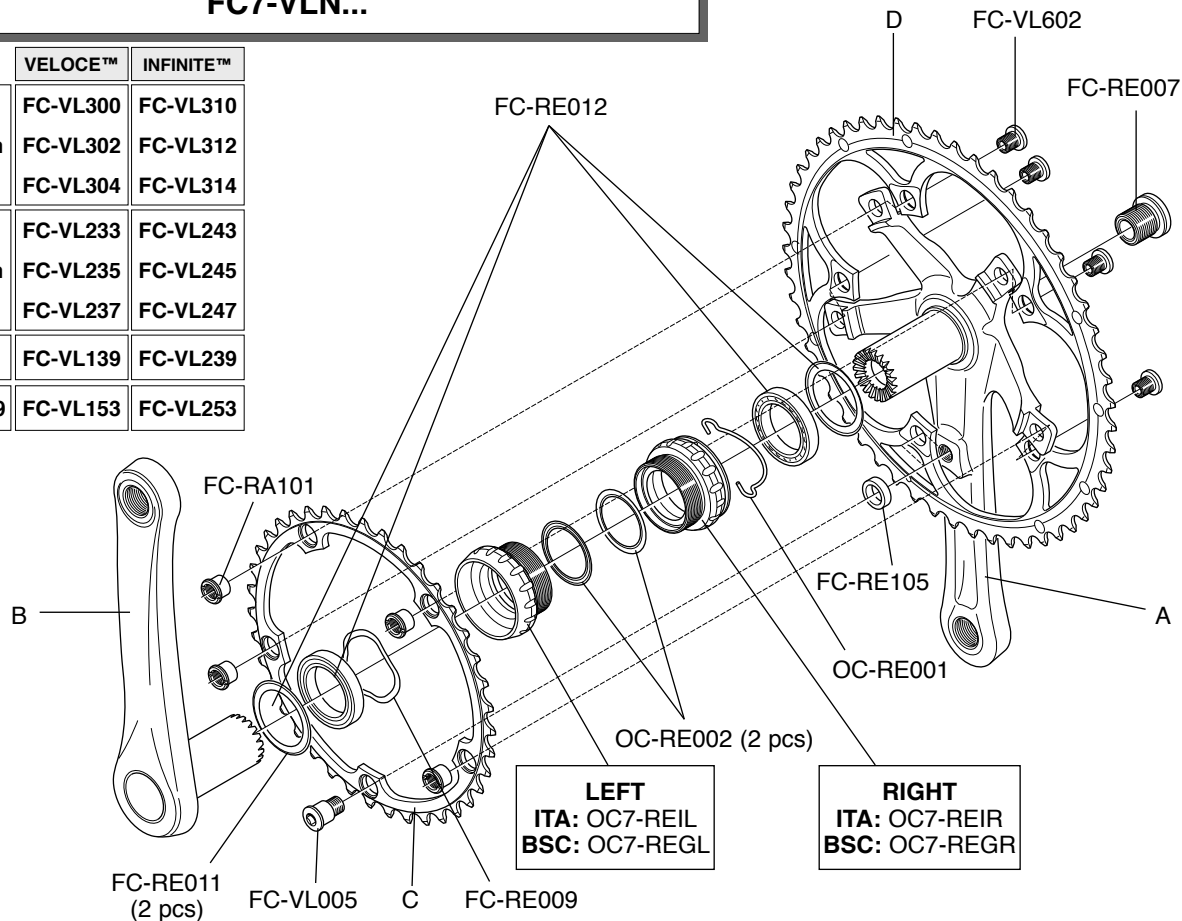
CENTAUR™ ULTRA-TORQUE™
CT™ 10s
FC7-CE...

A	170 mm	FC-CE140
	172,5 mm	FC-CE142
	175 mm	FC-CE144
B	170 mm	FC-CE191
	172,5 mm	FC-CE193
	175 mm	FC-CE195
C	Z34	FC-CH134
D	Z50 for 34	FC-CH050



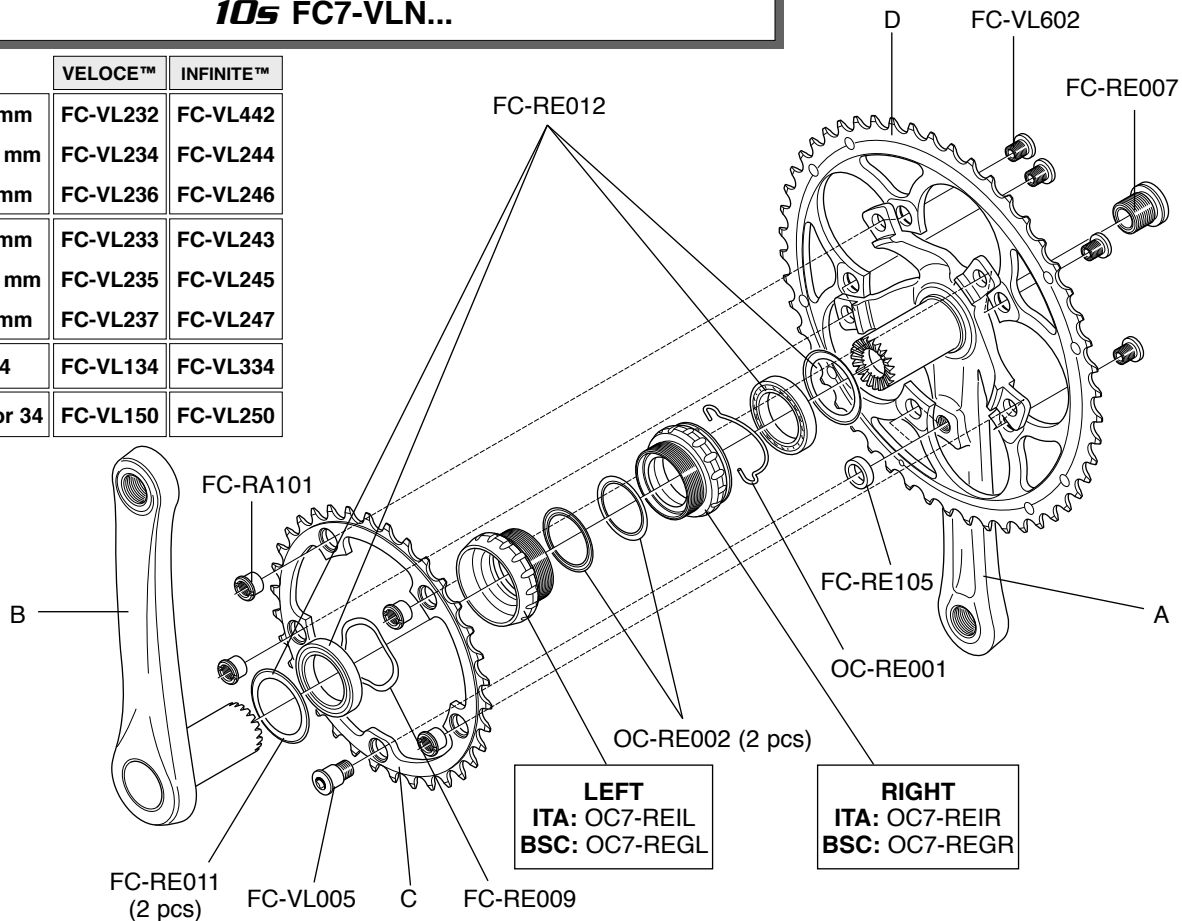
VELOCE™ ULTRA-TORQUE™ 10s FC7-VL...
VELOCE™ INFINITE™ ULTRA-TORQUE™ 10s
FC7-VLN...

		VELOCE™	INFINITE™
A	170 mm	FC-VL300	FC-VL310
	172,5 mm	FC-VL302	FC-VL312
	175 mm	FC-VL304	FC-VL314
B	170 mm	FC-VL233	FC-VL243
	172,5 mm	FC-VL235	FC-VL245
	175 mm	FC-VL237	FC-VL247
C	Z39	FC-VL139	FC-VL239
D	Z53 for 39	FC-VL153	FC-VL253



VELOCE™ ULTRA-TORQUE™ CT™ 10s FC7-VL...
VELOCE™ INFINITE™ ULTRA-TORQUE™ CT™
10s FC7-VLN...

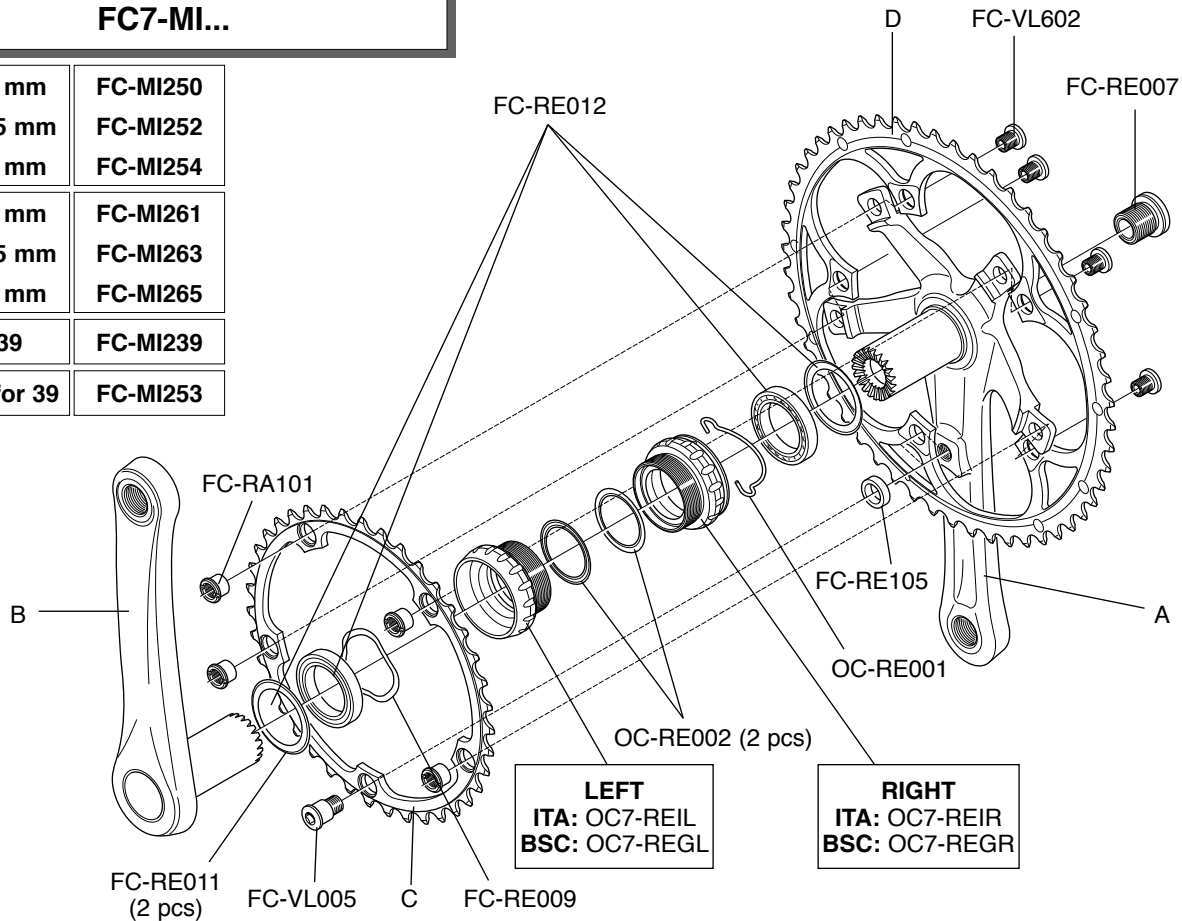
		VELOCE™	INFINITE™
A	170 mm	FC-VL232	FC-VL442
	172,5 mm	FC-VL234	FC-VL244
	175 mm	FC-VL236	FC-VL246
B	170 mm	FC-VL233	FC-VL243
	172,5 mm	FC-VL235	FC-VL245
	175 mm	FC-VL237	FC-VL247
C	Z34	FC-VL134	FC-VL334
D	Z50 for 34	FC-VL150	FC-VL250



MIRAGE™ ULTRA-TORQUE™

10s
FC7-MI...

A	170 mm	FC-MI250
	172,5 mm	FC-MI252
	175 mm	FC-MI254
B	170 mm	FC-MI261
	172,5 mm	FC-MI263
	175 mm	FC-MI265
C	Z39	FC-MI239
D	Z53 for 39	FC-MI253



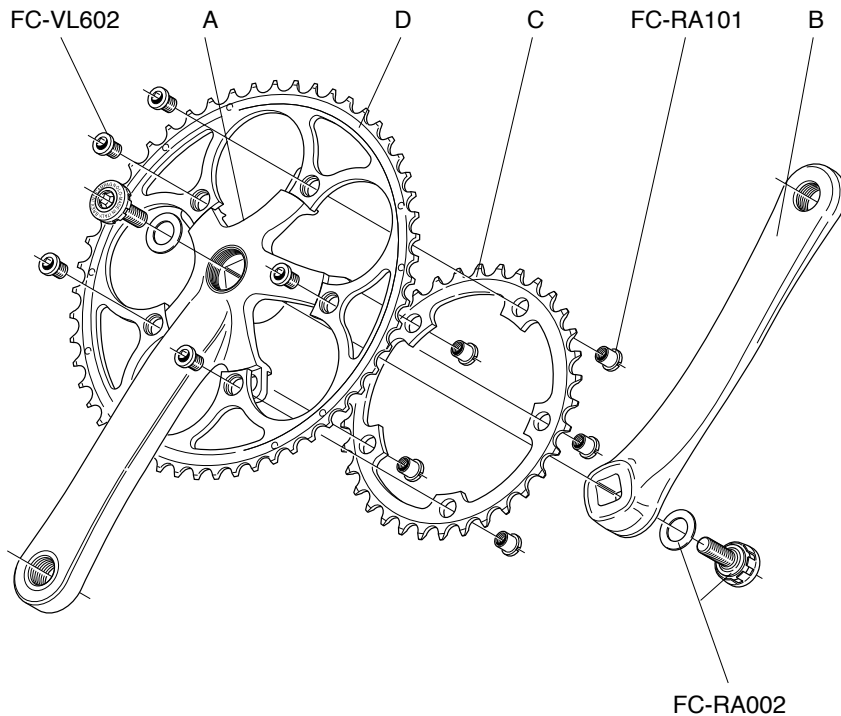
CRANKSET

XENON™ CT™

10s

FC7-XE...

A	170 mm	FC-XE270
	172,5 mm	FC-XE272
	175 mm	FC-XE274
B	170 mm	FC-XE271
	172,5 mm	FC-XE273
	175 mm	FC-XE275
C	Z34	FC-MIB034
D	Z50 for 34	FC-XE050

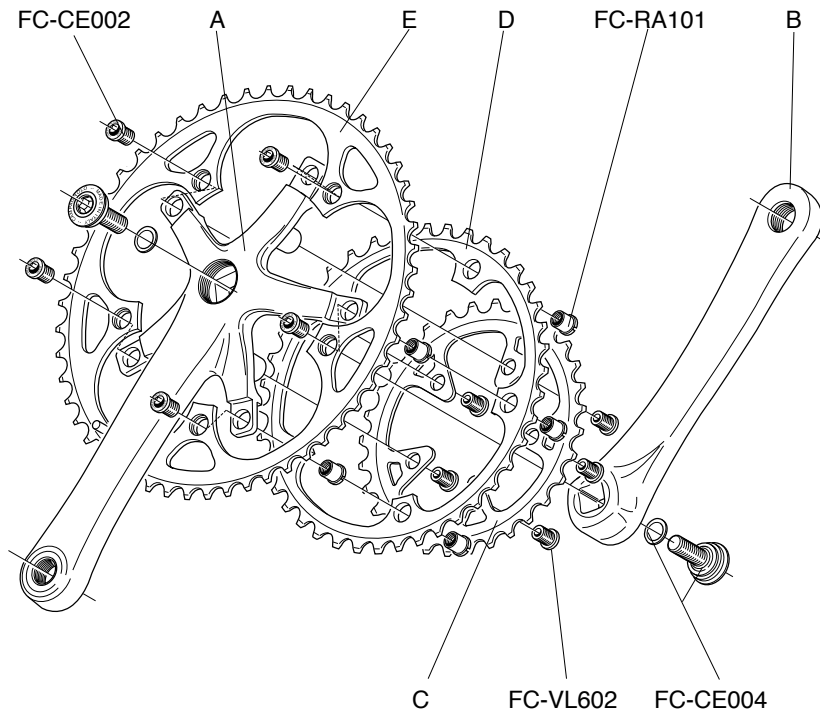


CRANKSET

CRANKSET

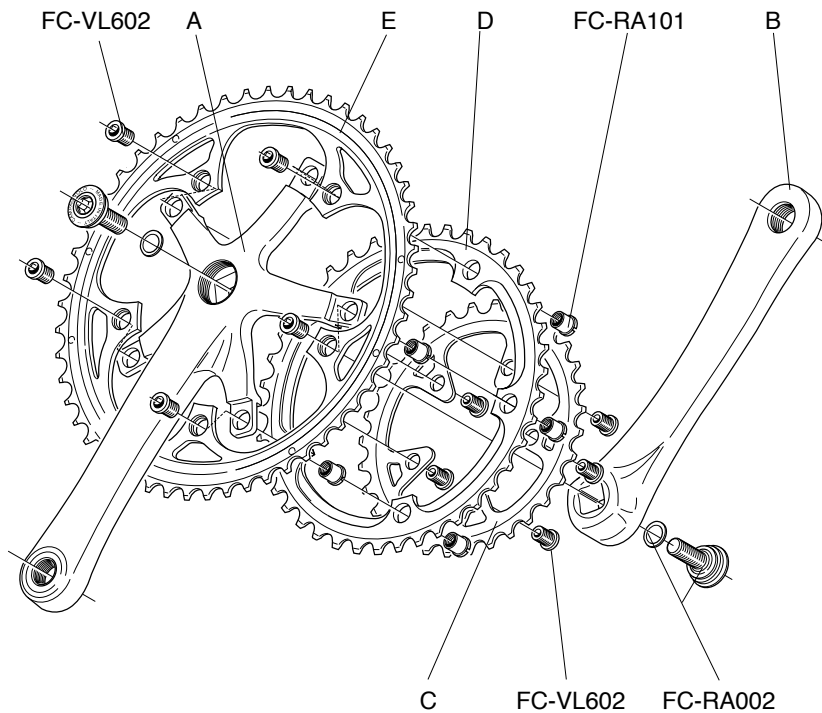
COMP TRIPLE™ 10s FC7-CO....

A	170 mm	FC-CO312
	175 mm	FC-CO314
B	170 mm	FC-CO313
	175 mm	FC-CO315
C	Z30	FC-RE030
D	Z40 for 30	FC-CE040
	Z42 for 30	FC-CE042
E	Z50 for 40	FC-CE050
	Z53 for 42	FC-CE053



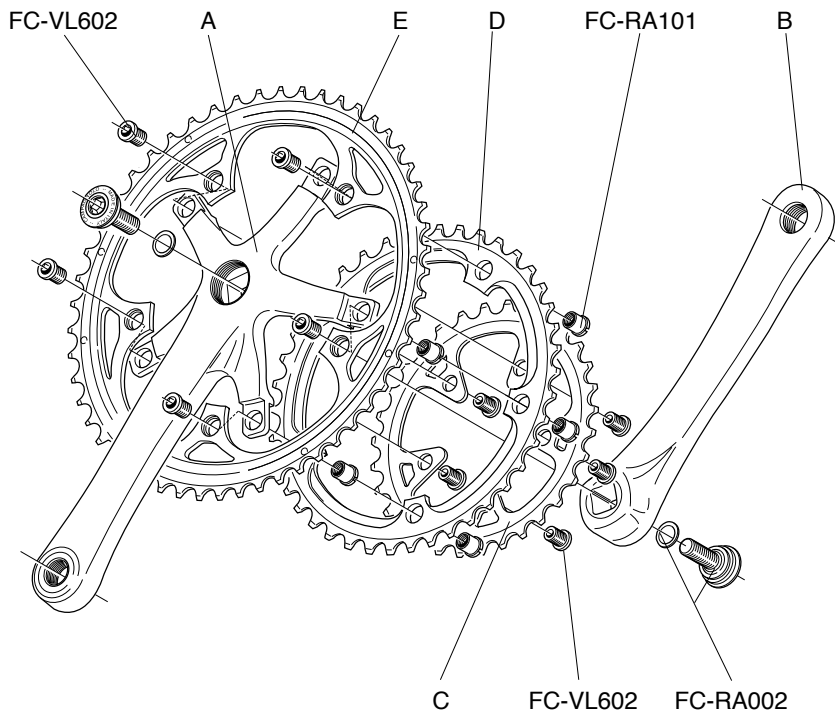
RACE TRIPLE™ 10S
FC7-RA...

A	170 mm	FC-RA926
	175 mm	FC-RA928
B	170 mm	FC-RA927
	175 mm	FC-RA929
C	Z30	FC-VL030
D	Z42 for 30	FC-VL342
E	Z52 for 42	FC-VL252



CHAMP TRIPLE™ 95 **FC7-CP...**

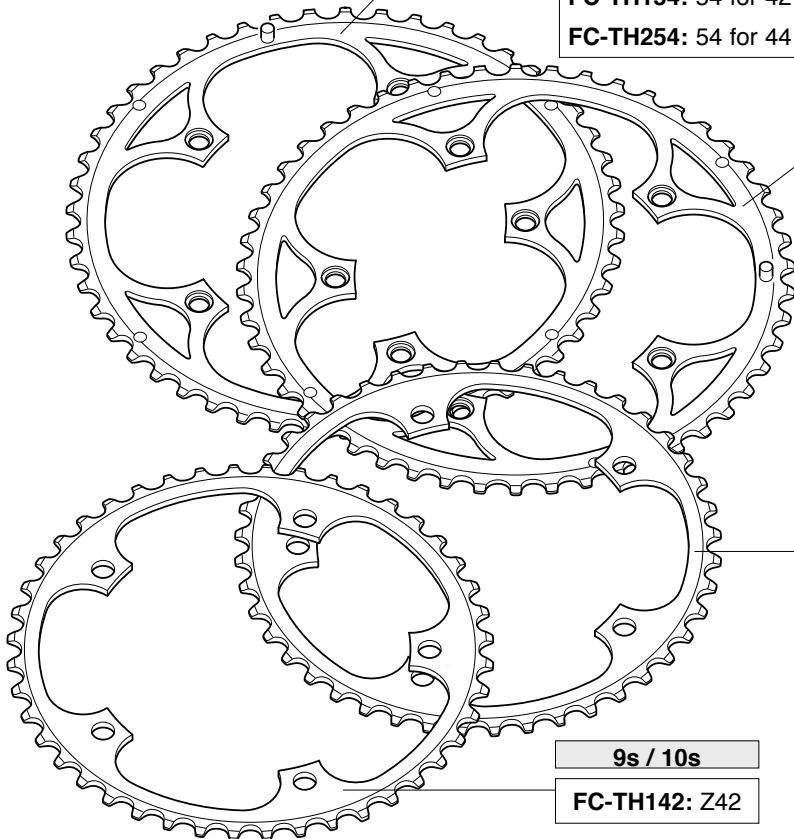
A	170 mm	FC-CP876
	175 mm	FC-CP878
B	170 mm	FC-CP877
	175 mm	FC-CP879
C	Z30	FC-MI030
D	Z42 for 30	FC-XE142
E	Z52 for 42	FC-XE252



**TIME TRIAL™
CHAINRINGS**

9s	RECORD™ 10s	CHORUS™ 10s
FC-TH155: 55 for 42	FC-RETH155: 55 for 42	FC-CHTH155: 55 for 42
FC-TH255: 55 for 44	FC-RETH255: 55 for 44	FC-CHTH255: 55 for 44

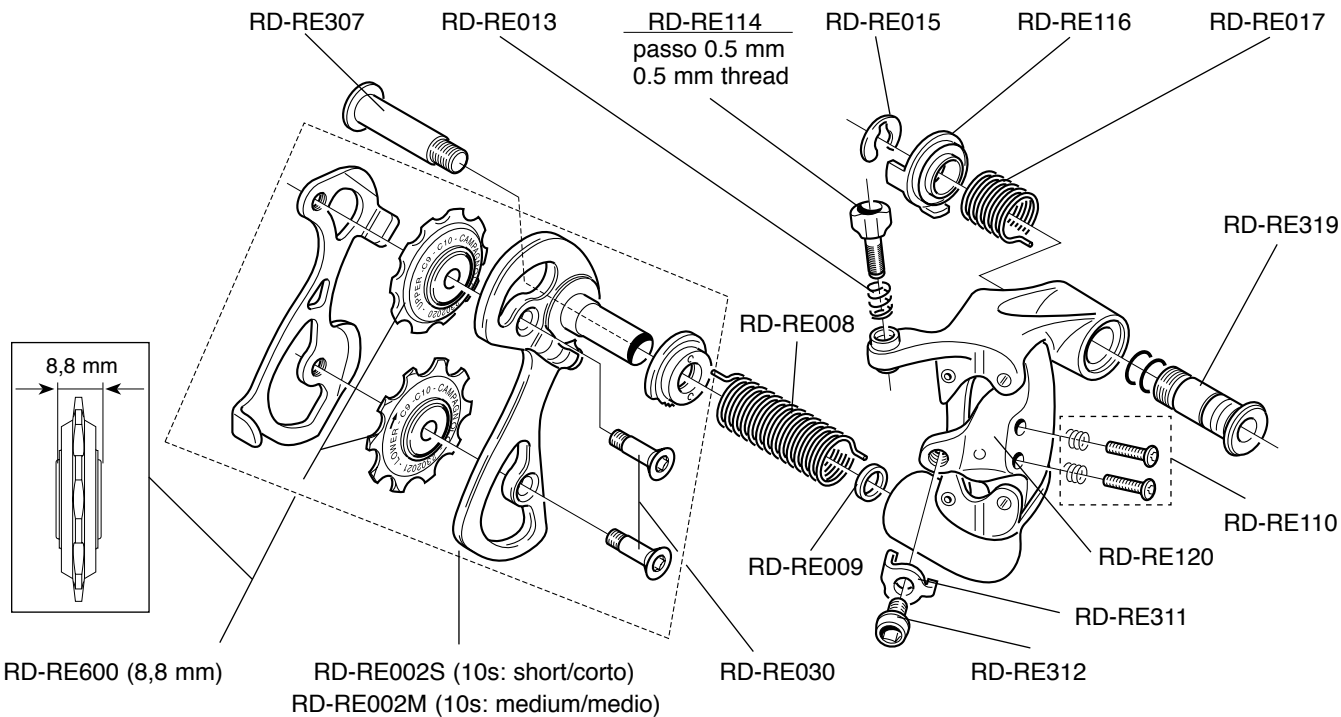
9s	RECORD™ 10s	CHORUS™ 10s
FC-TH154: 54 for 42	FC-RETH154: 54 for 42	FC-CHTH154: 54 for 42
FC-TH254: 54 for 44	FC-RETH254: 54 for 44	FC-CHTH254: 54 for 44



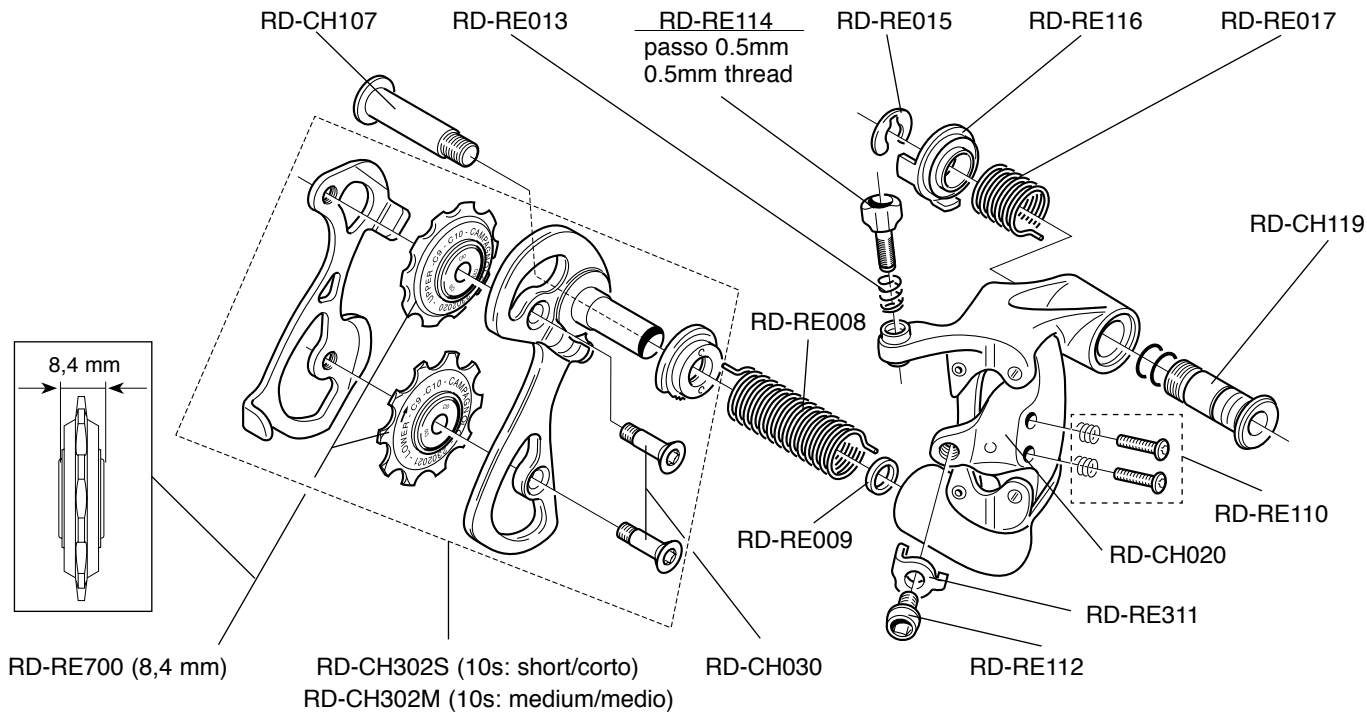
9s / 10s
FC-TH144: Z44

9s / 10s
FC-TH142: Z42

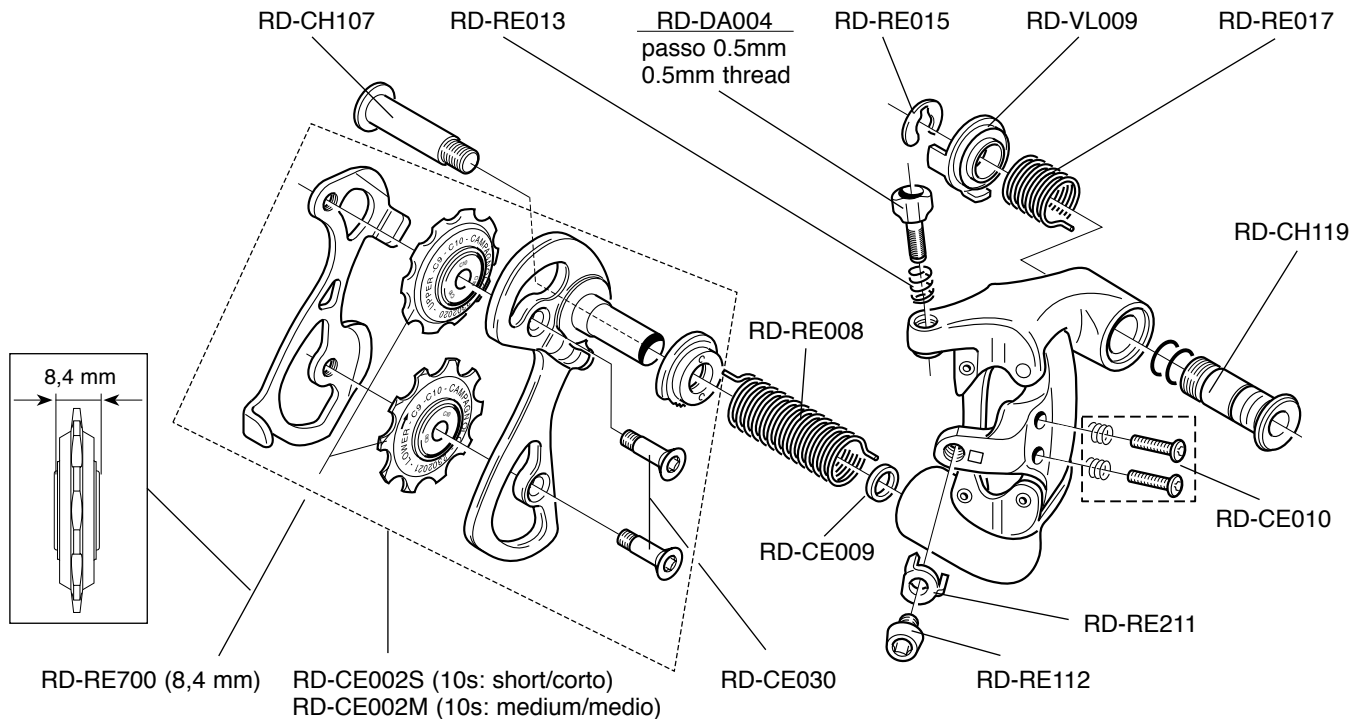
RECORD™ 10s
RD4-REXS
RD4-REXM



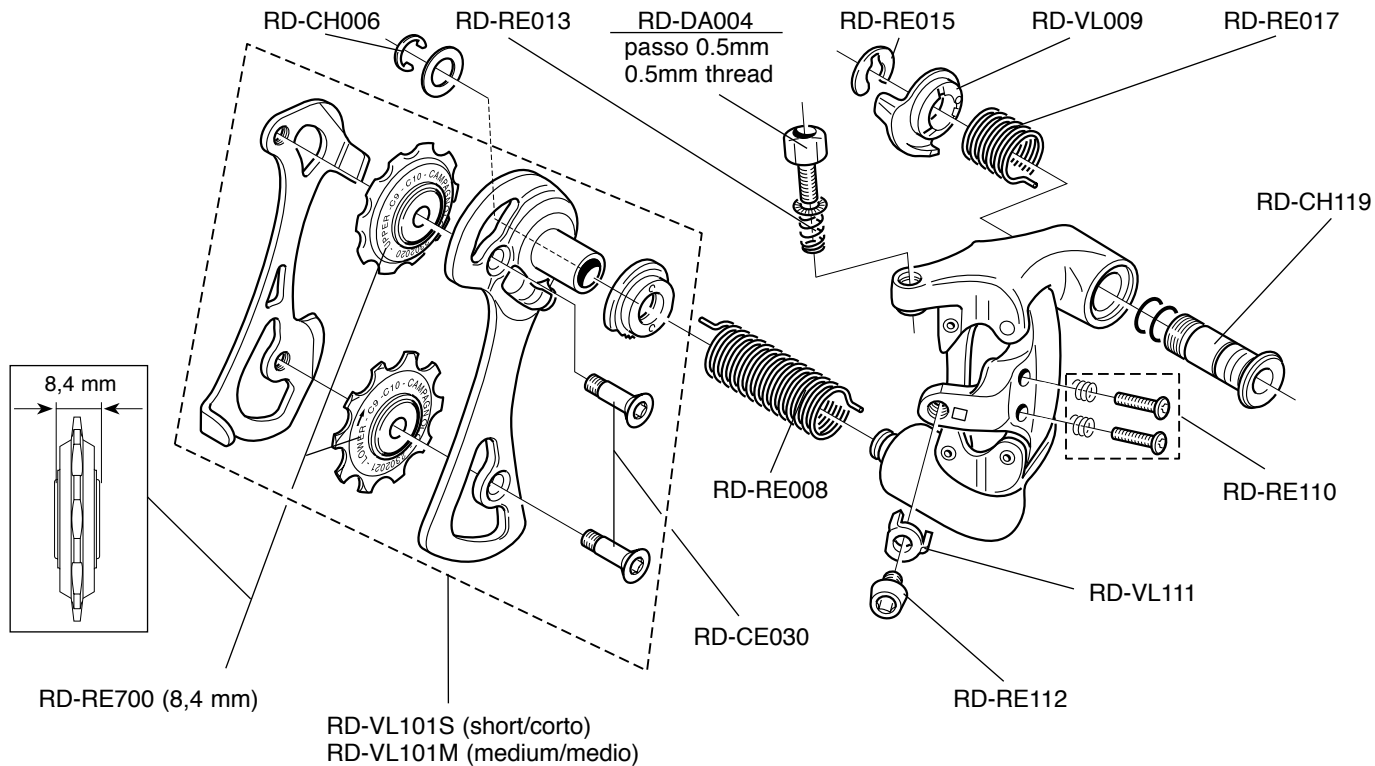
CHORUS™ 10s
RD4-CHXS
RD4-CHXM



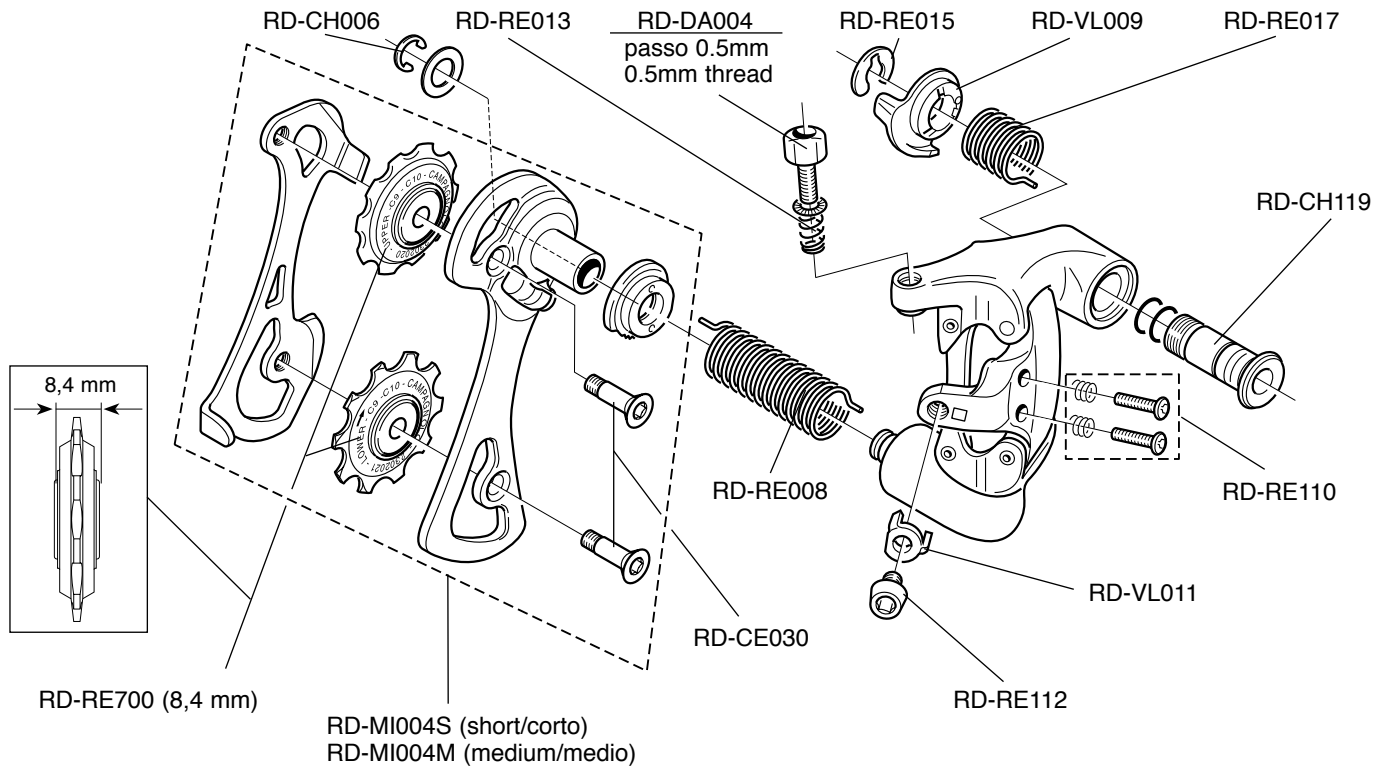
CENTAUR™ 10s
RD7-CEXS
RD7-CEXM



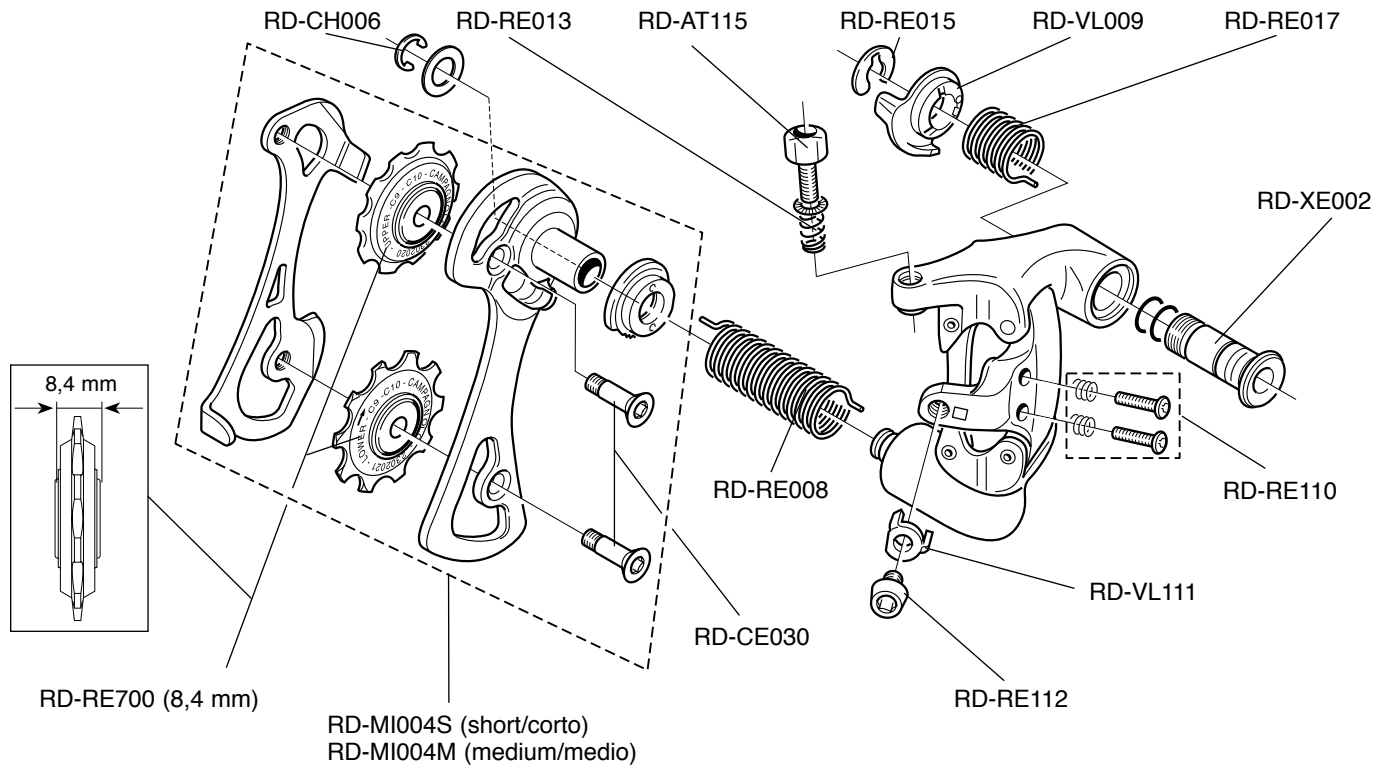
VELOCE™ 10s
RD7-VLXS - RD7-VLXM
VELOCE™ INFINITE™ 10s
RD7-VLNXS - RD7-VLNXM



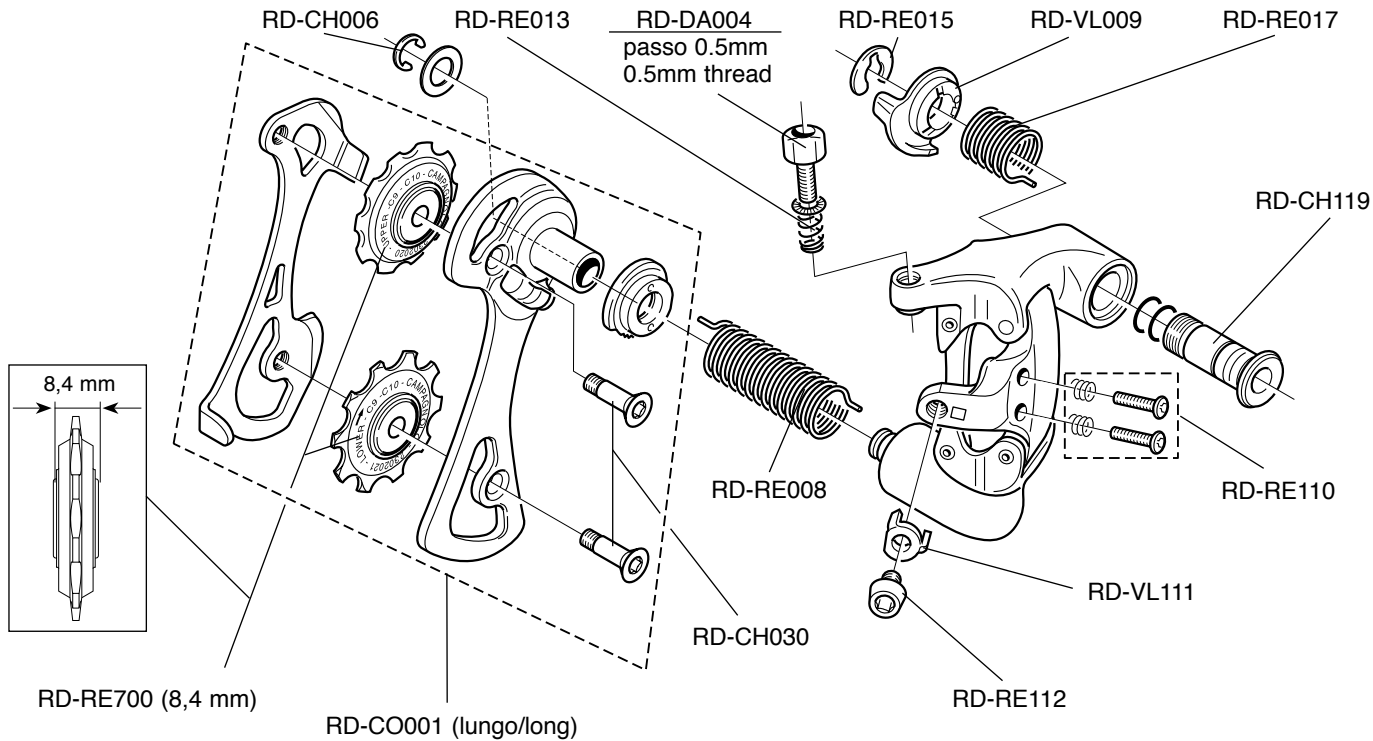
MIRAGE™ 10s RD7-MIXS RD7-MIXM



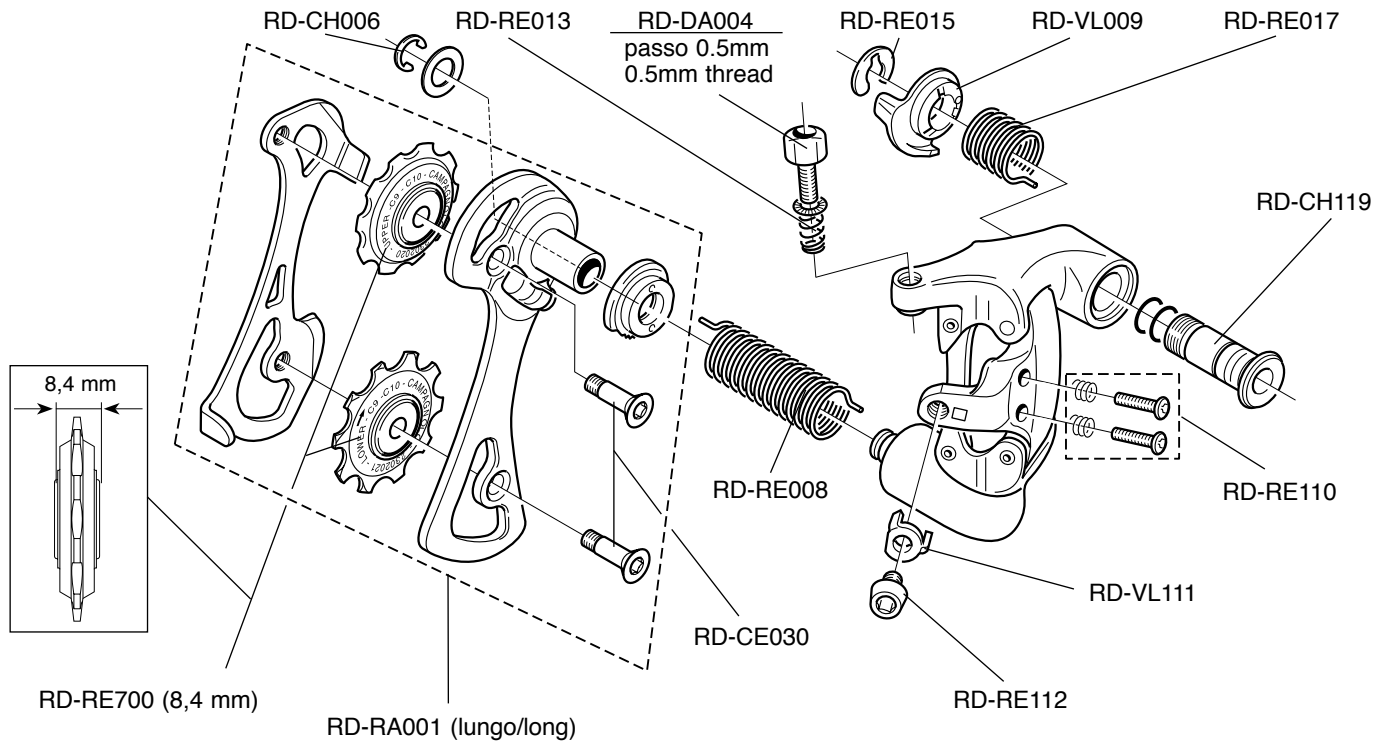
XENON™ 10s
RD7-XEXS
RD7-XEXM



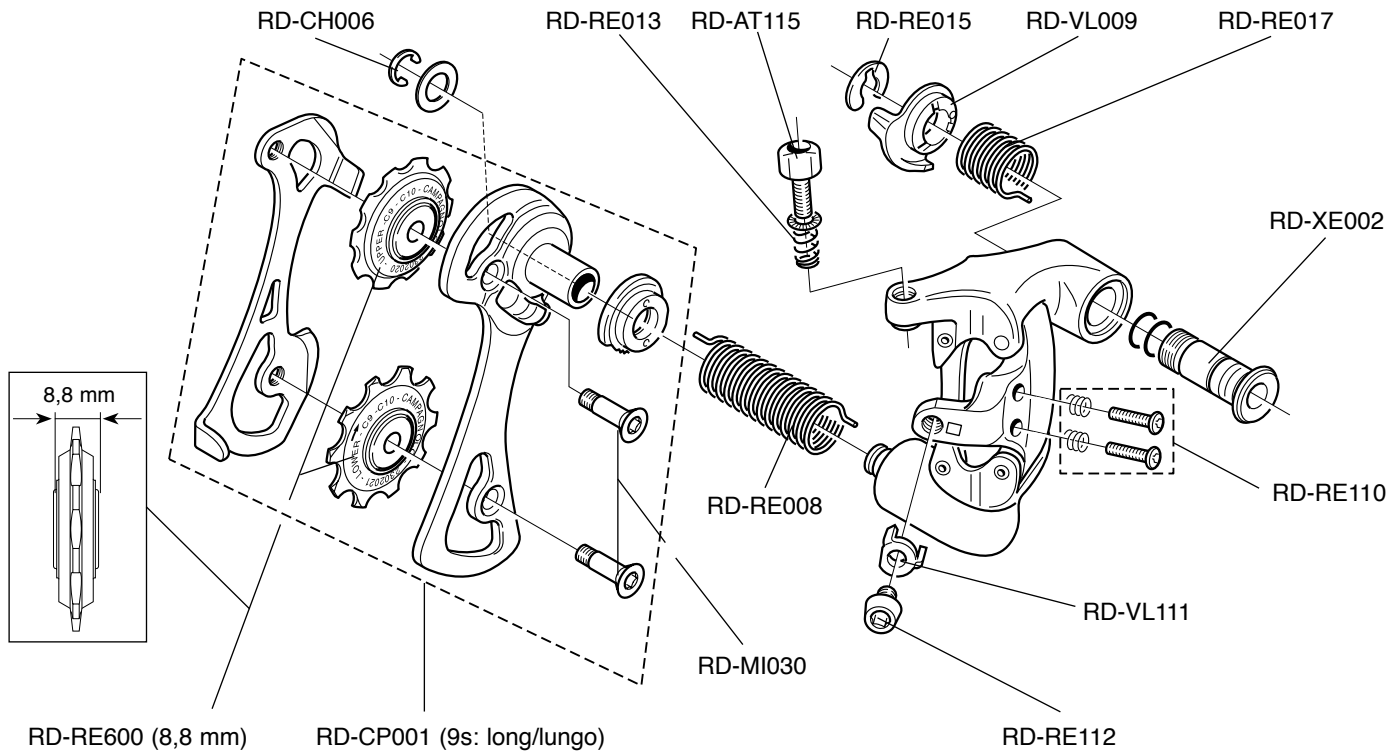
COMP TRIPLE™
10s
RD7-COXL



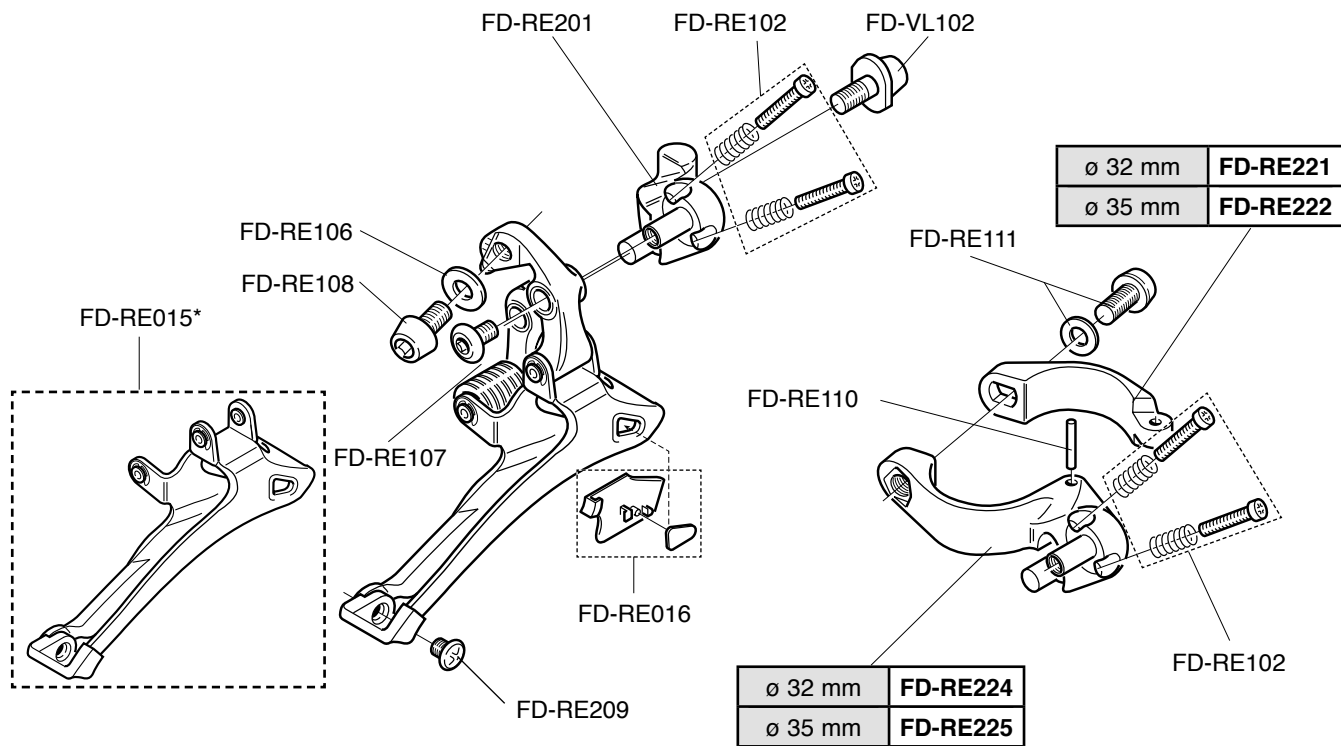
RACE TRIPLE™ 10s
RD7-RAXL



CHAMP TRIPLE™
9s
RD7-CP9L



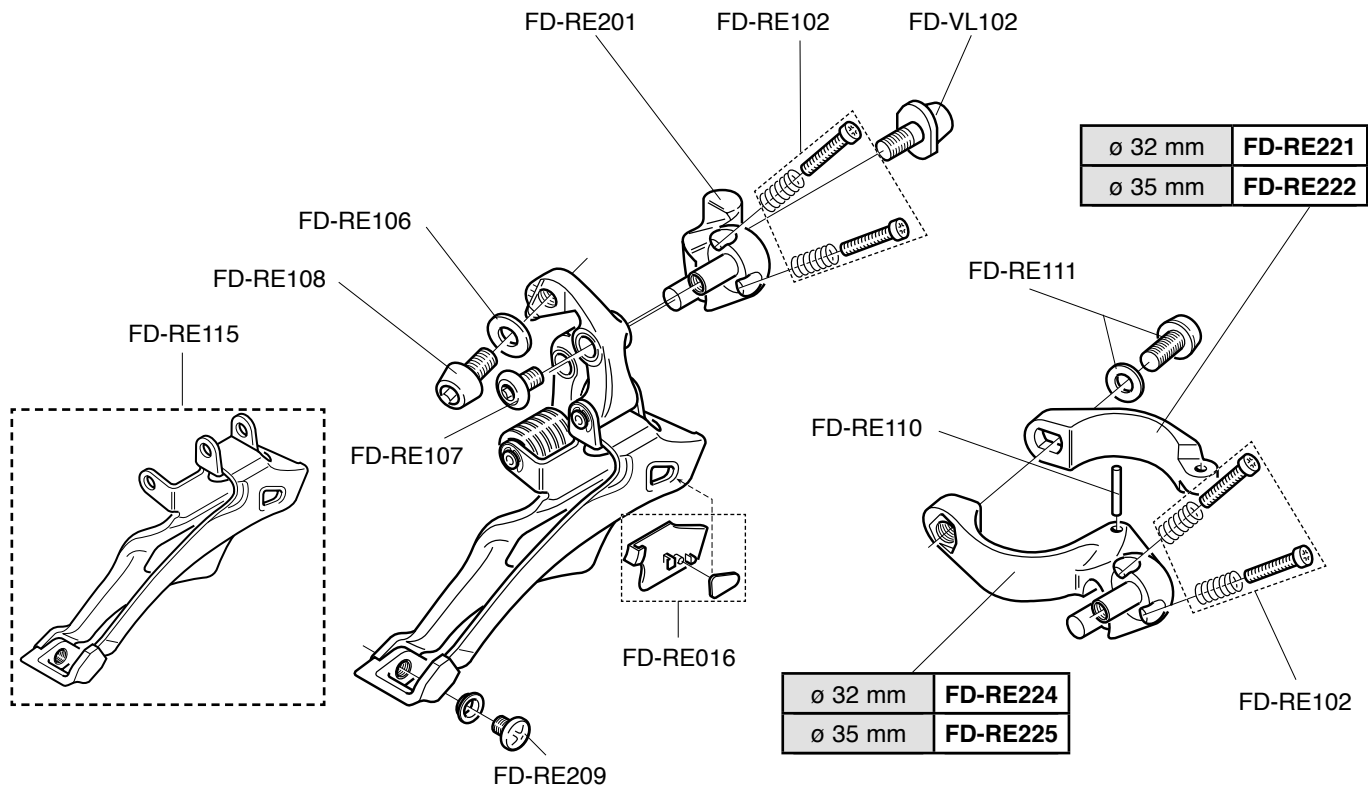
RECORD™ QS™
10s
FD7-RE2..



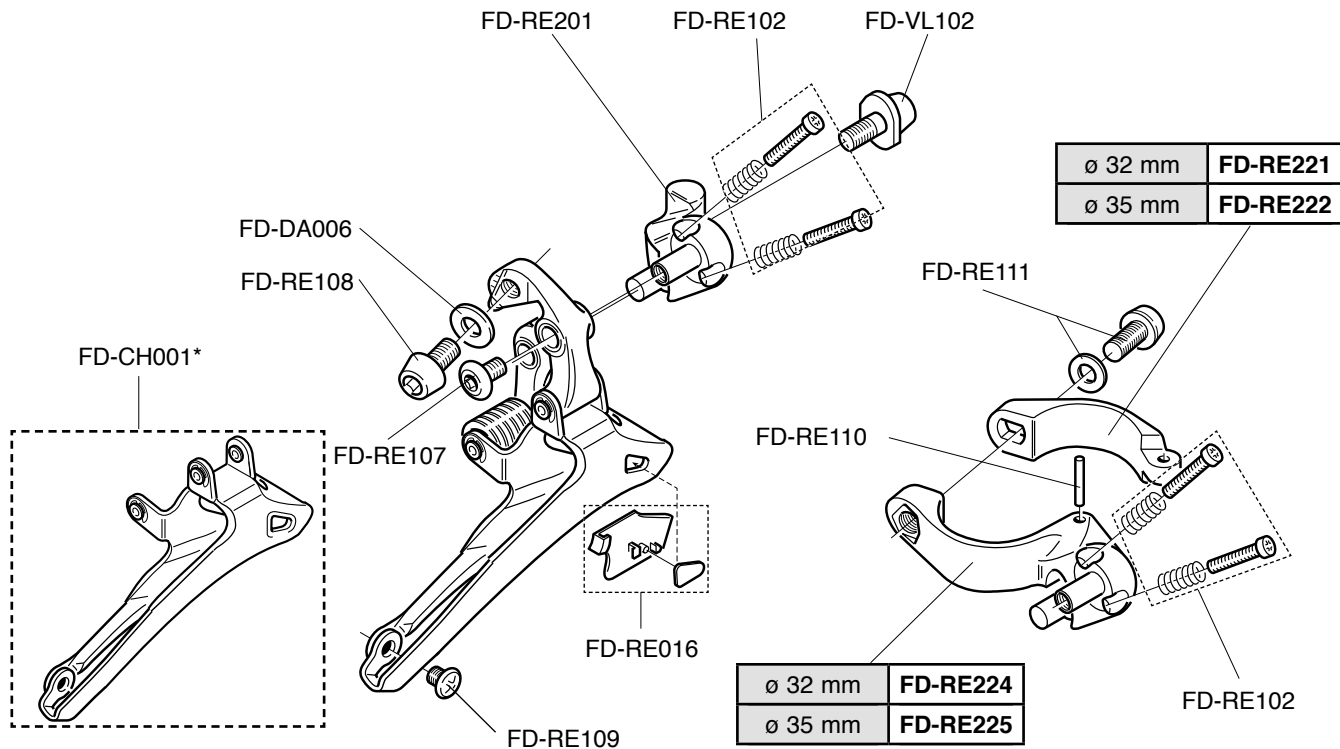
* non compatibile con gamma 2003 e precedenti

* not compatible with 2003 range and previous

**RECORD™ QS™
CT™ 10s
FD7-RE2..CT**



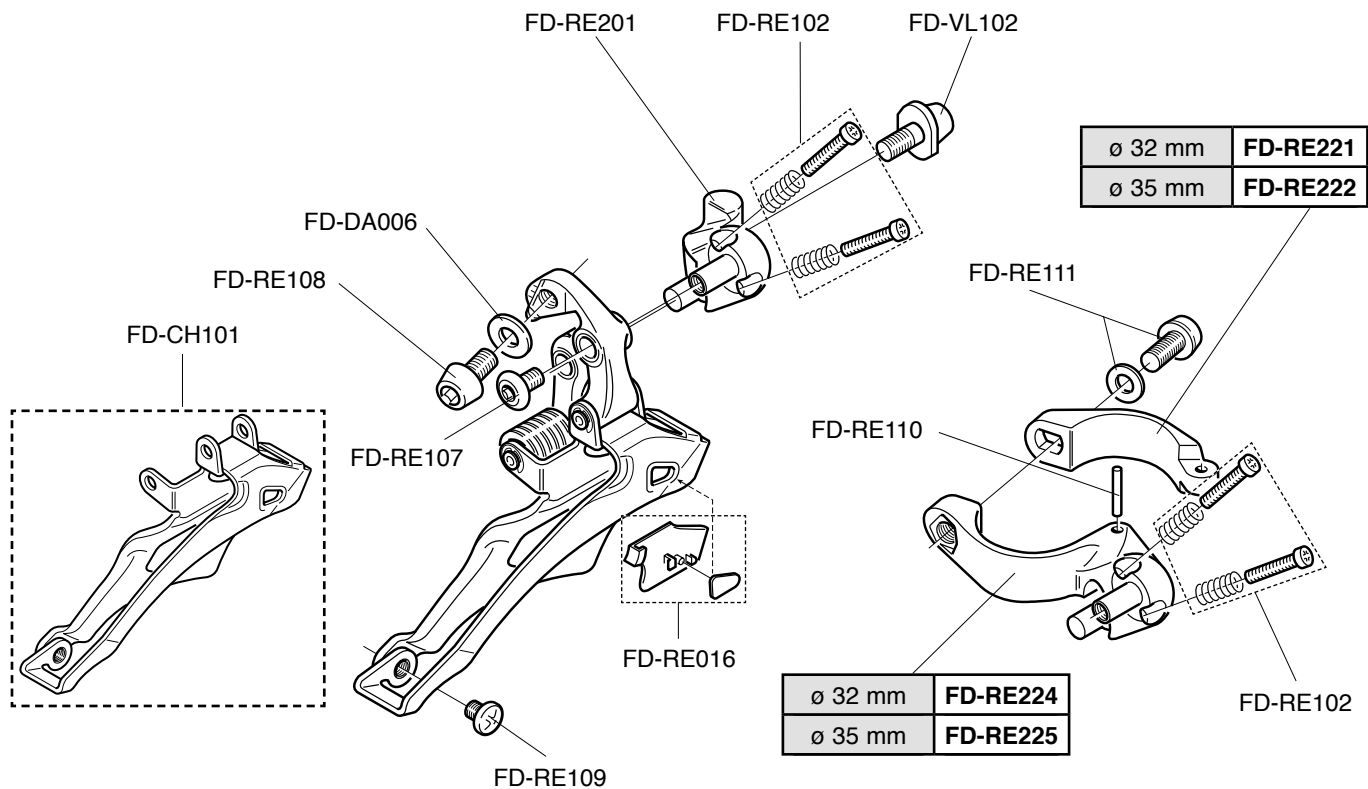
CHORUS™ QS™
10s
FD7-CH2..



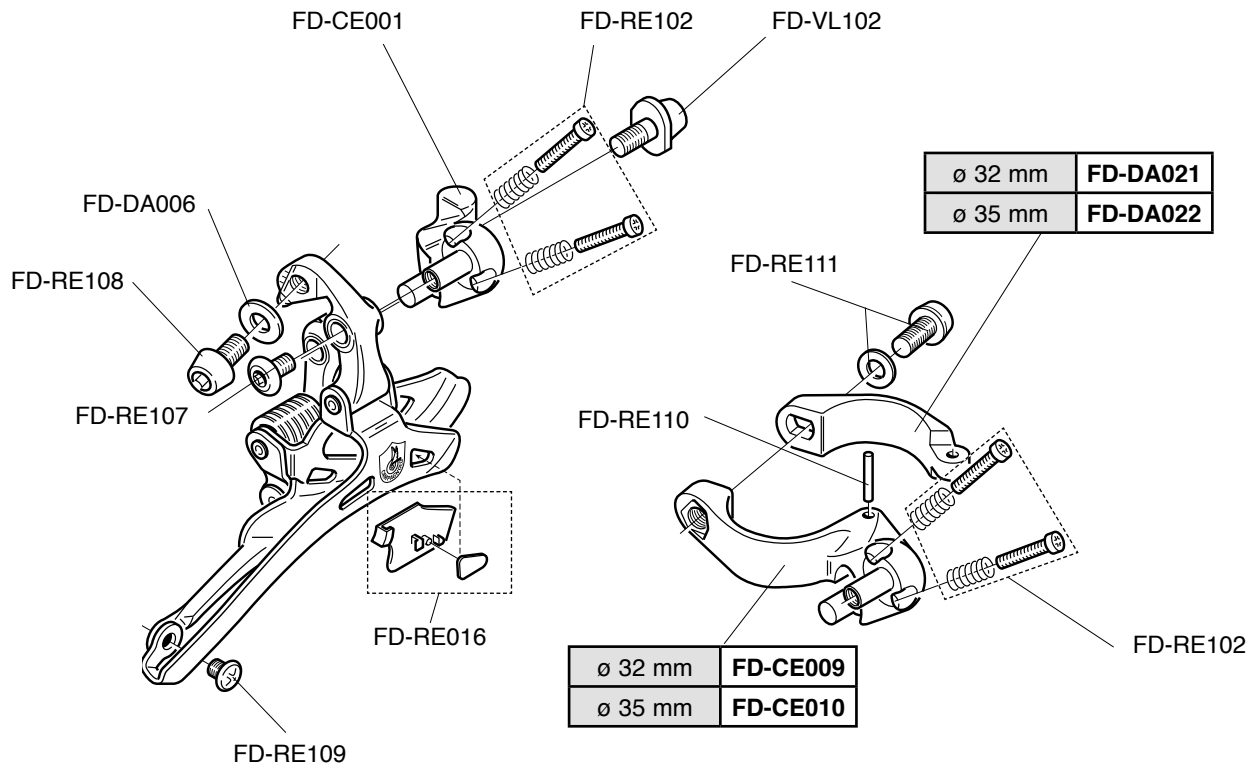
* non compatibile con gamma 2003 e precedenti

* not compatible with 2003 range and previous

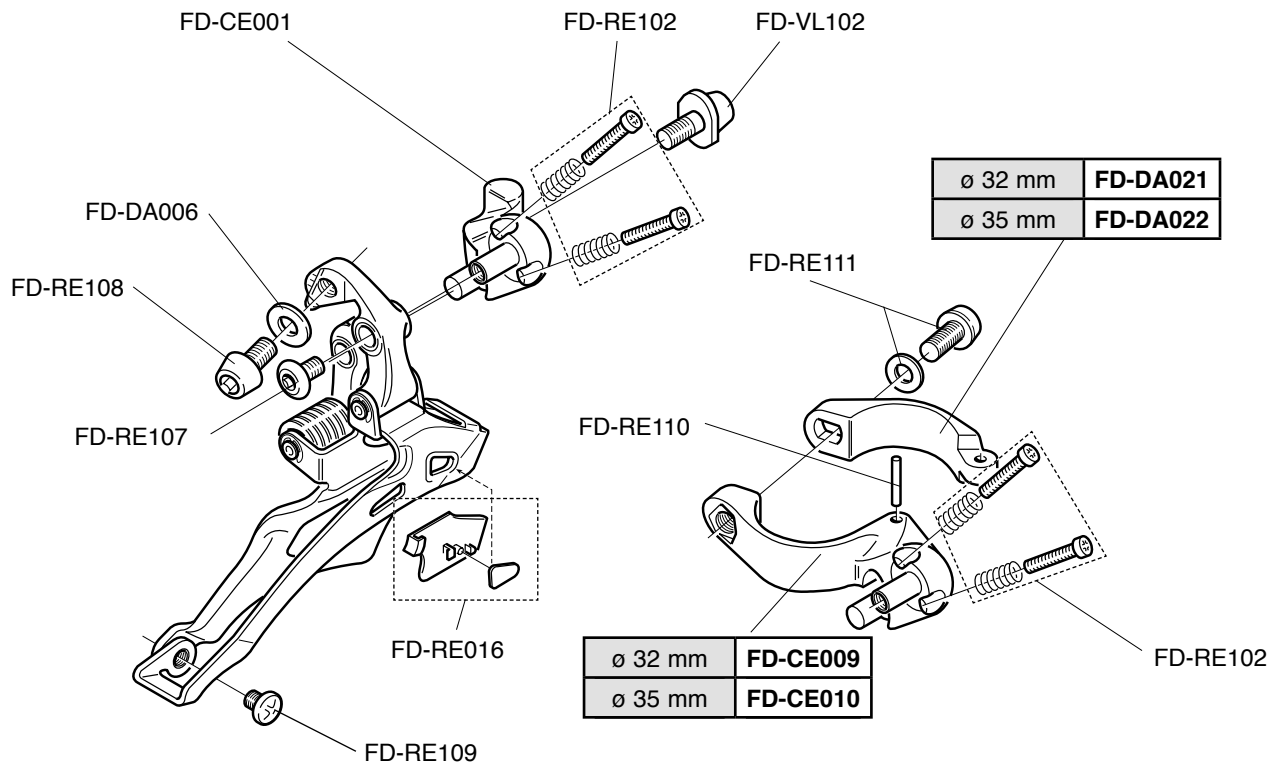
CHORUS[™] QS[™]
CT[™] 10s
FD7-CH2..CT



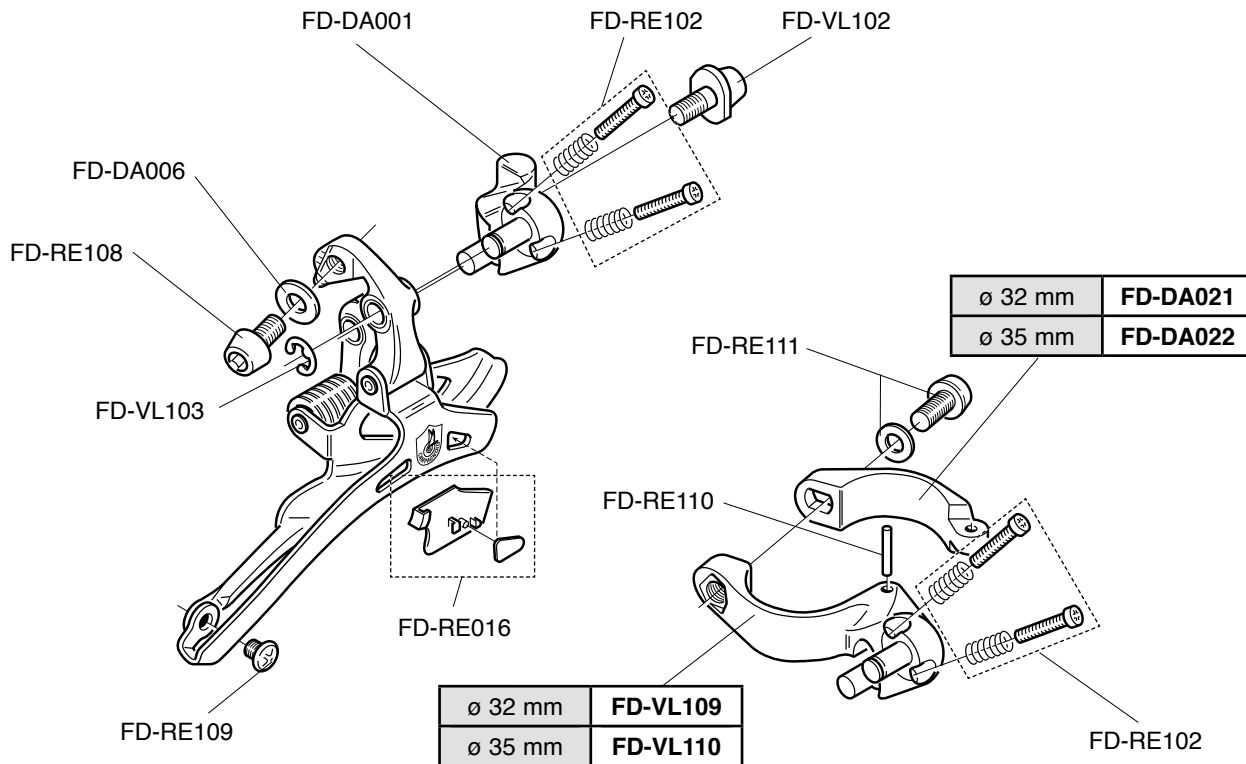
CENTAUR™ QS™
10s
FD7-CE2..



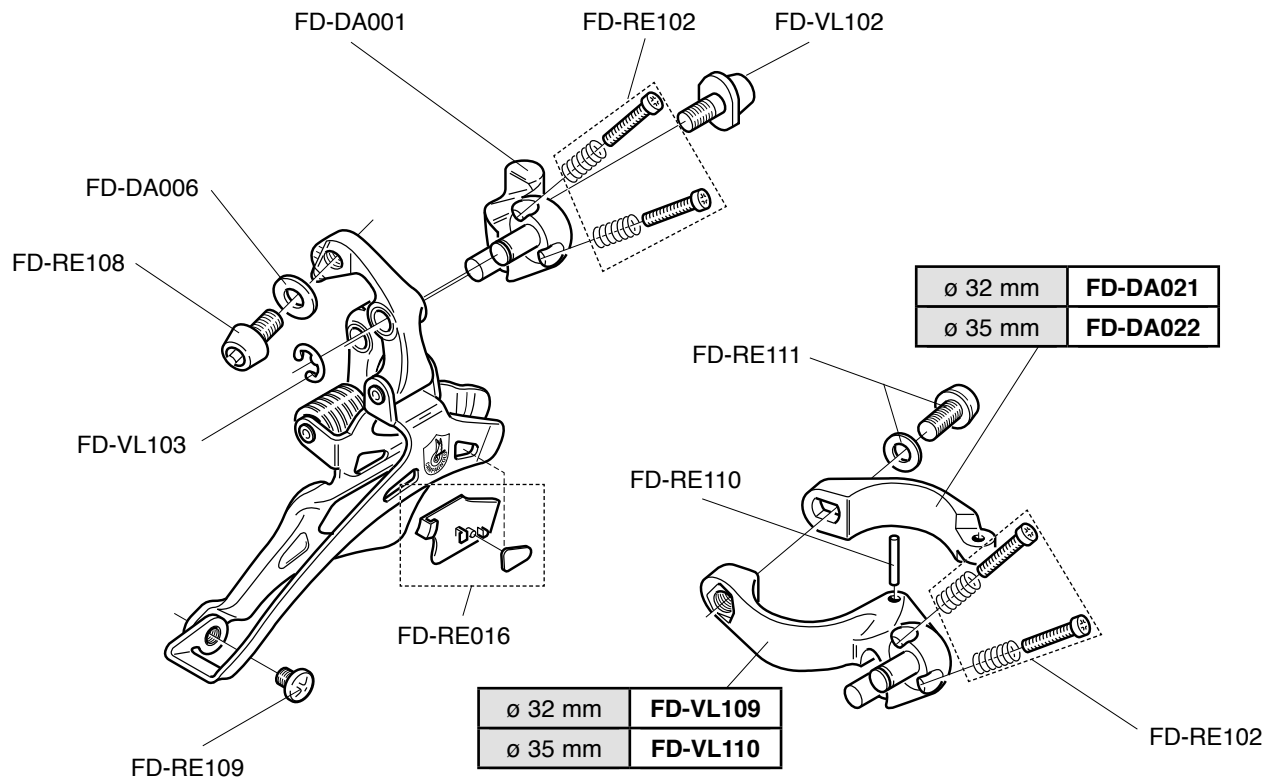
**CENTAUR™ QS™
CT™ 10s
FD7-CE2..CT**



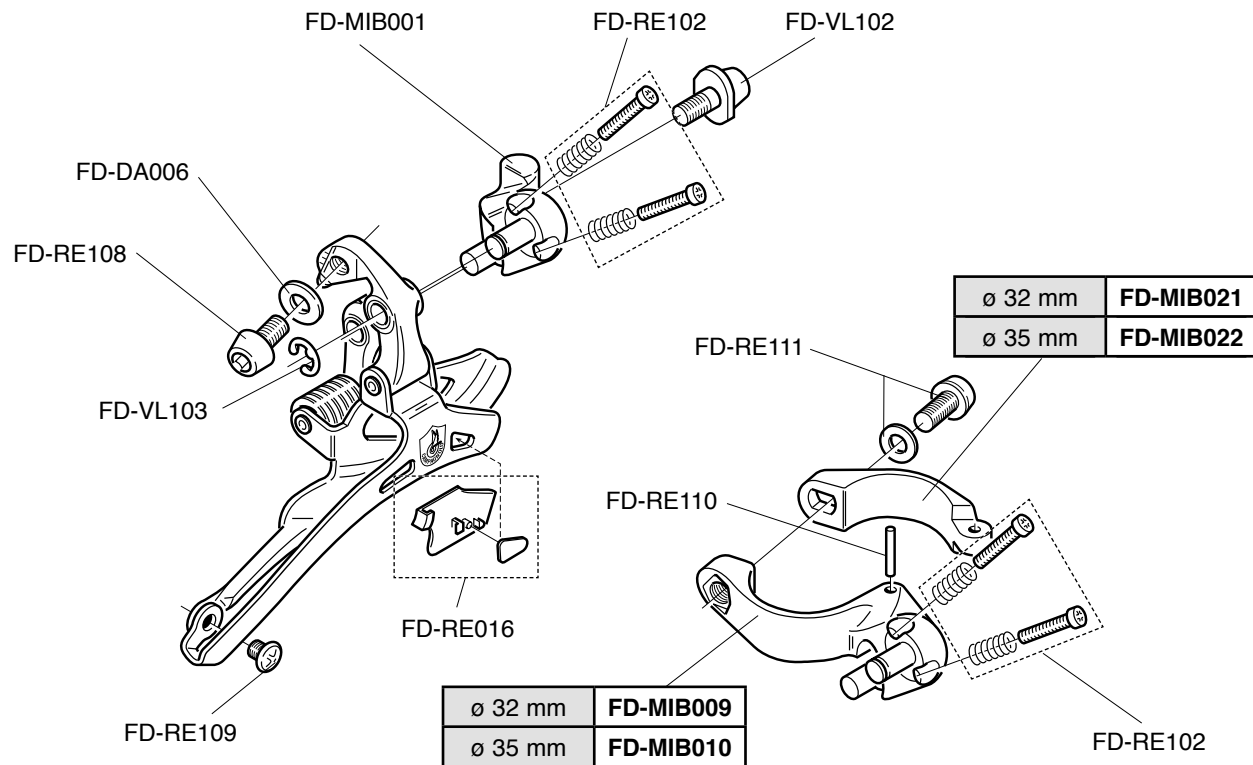
VELOCE™ QS™ 10s
FD7-VL2..
VELOCE™ INFINITE™ QS™ 10s
FD7-VLN2..



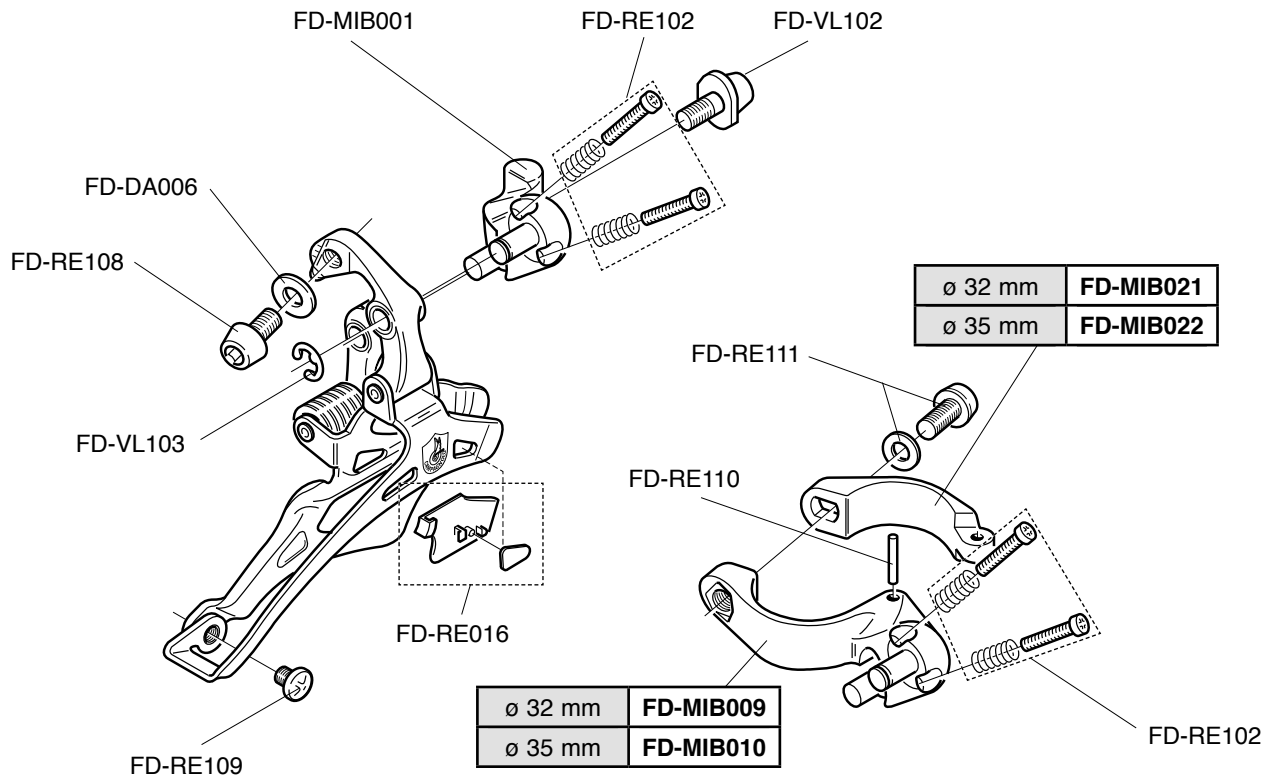
VELOCE™ QS™ CT™ 10s
FD7-VL2..CT
VELOCE™ INFINITE™ QS™ CT™ 10s
FD7-VLN2..CT



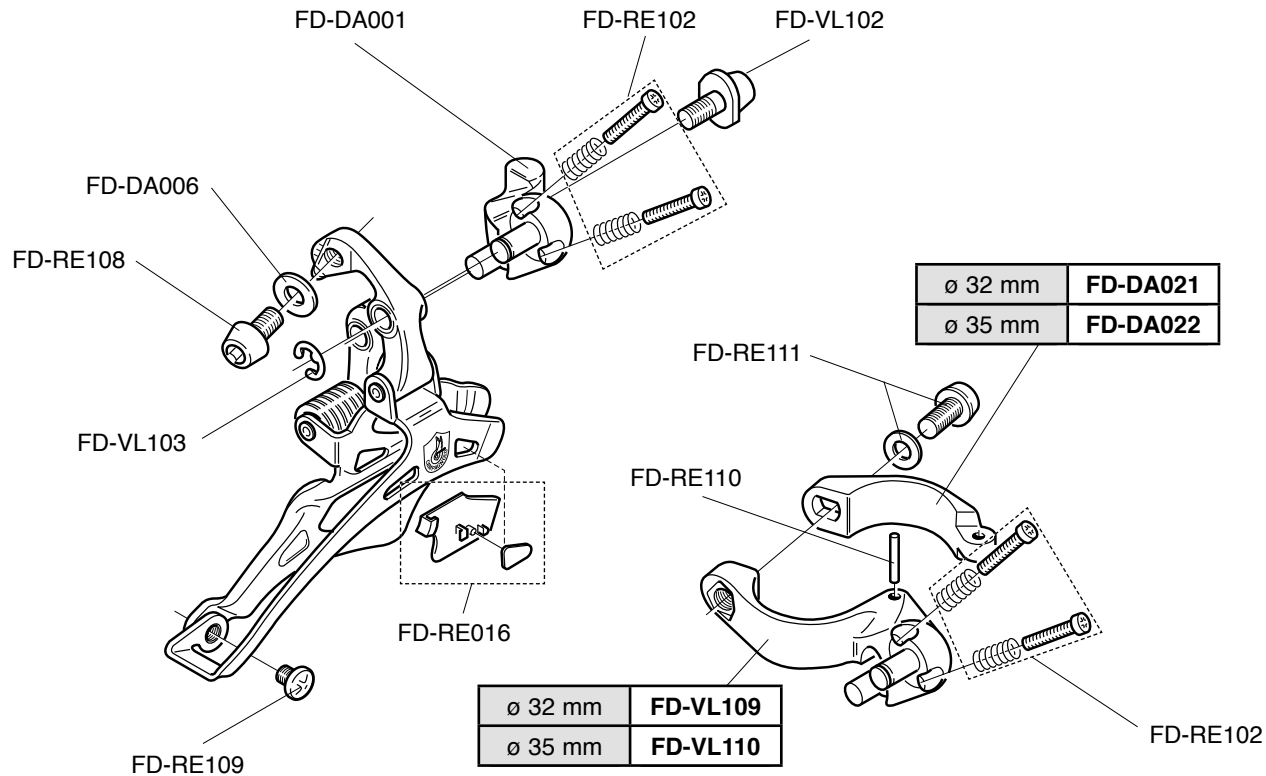
MIRAGE™ QS™
10s
FD7-MI2..



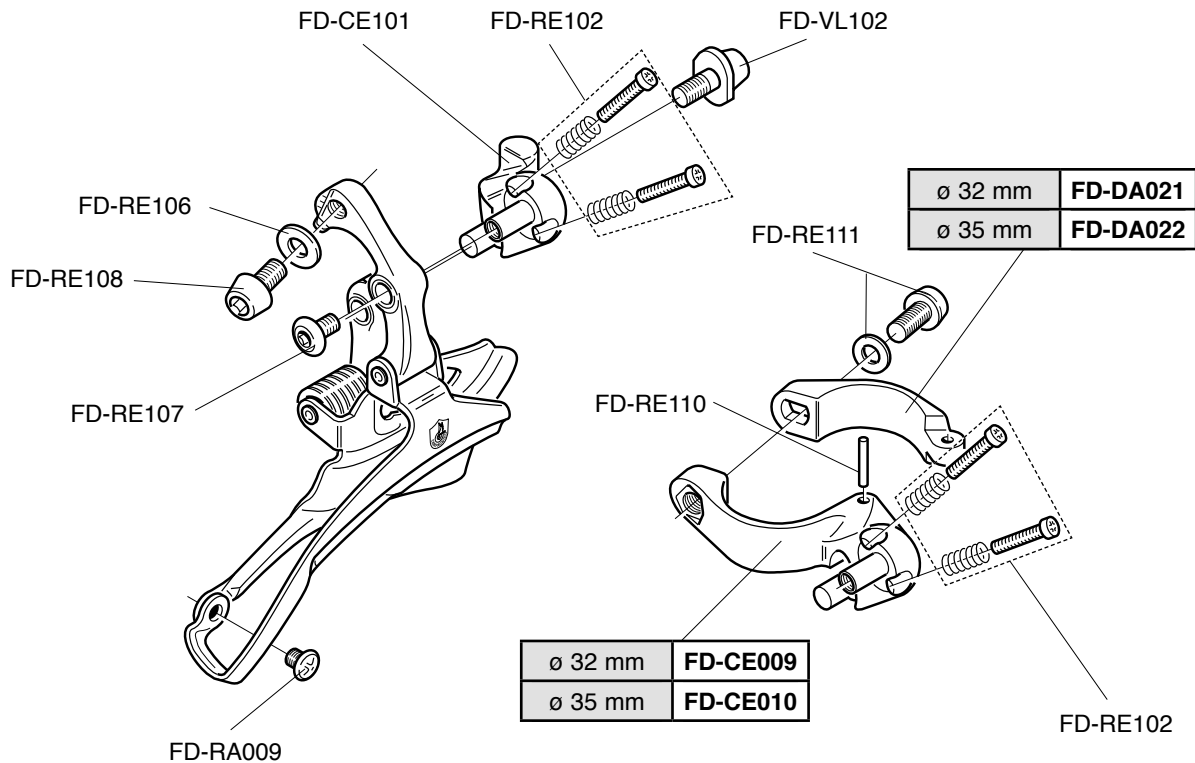
**MIRAGE™ QS™
CT™ 10s
FD7-MI2...CT**



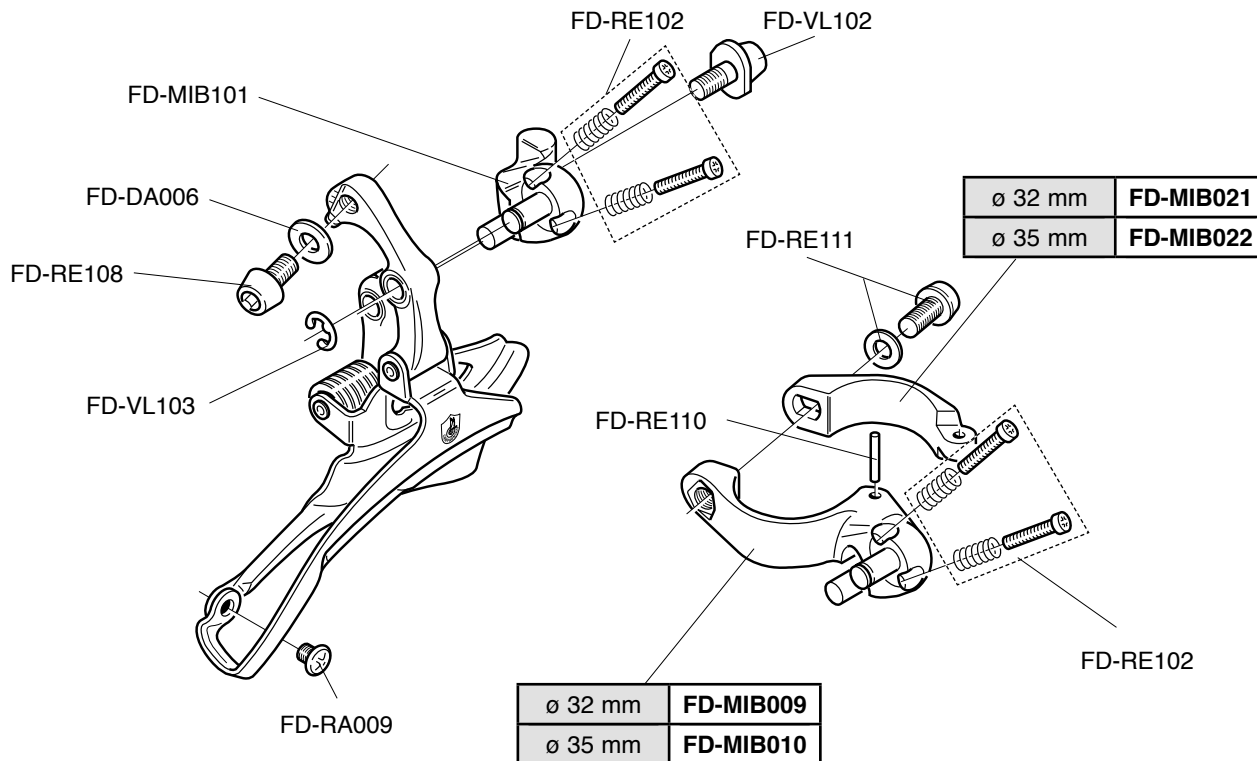
XENON™ QS™
CT™ 10s
FD7-XE2...CT



COMP TRIPLE™
10s
FD7-CO3..



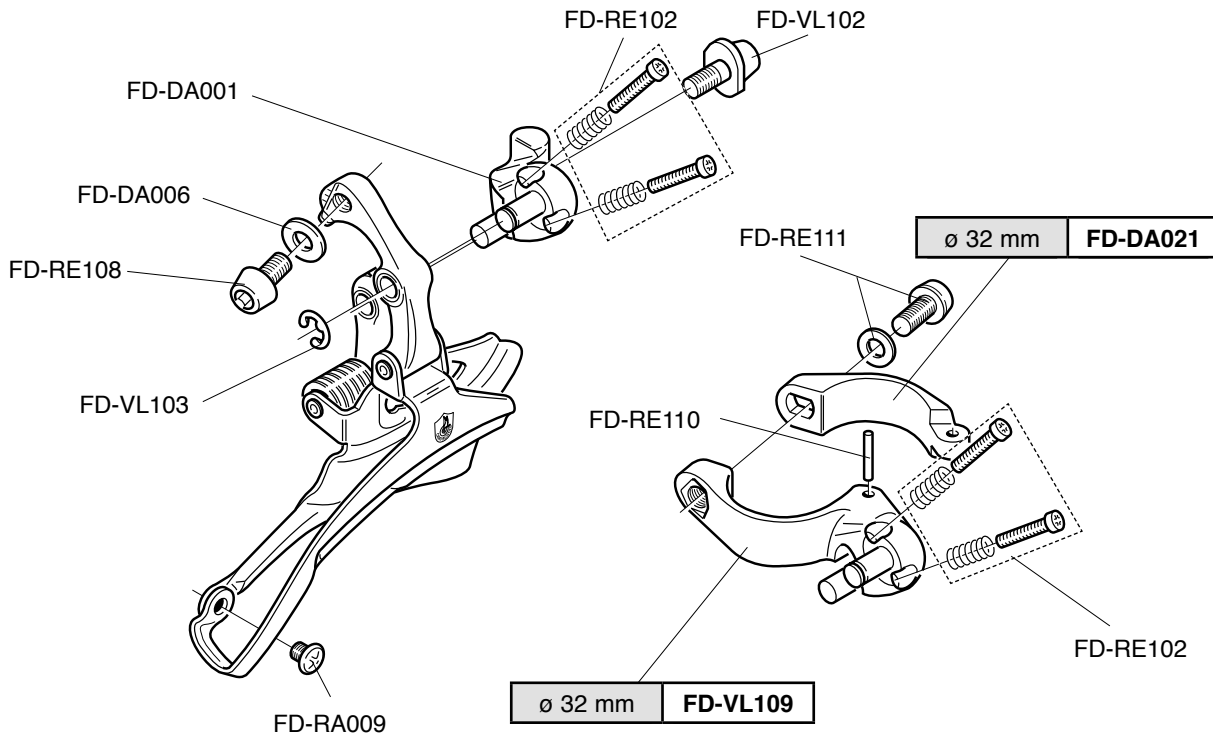
RACE TRIPLE™
10s
FD7-RA3..



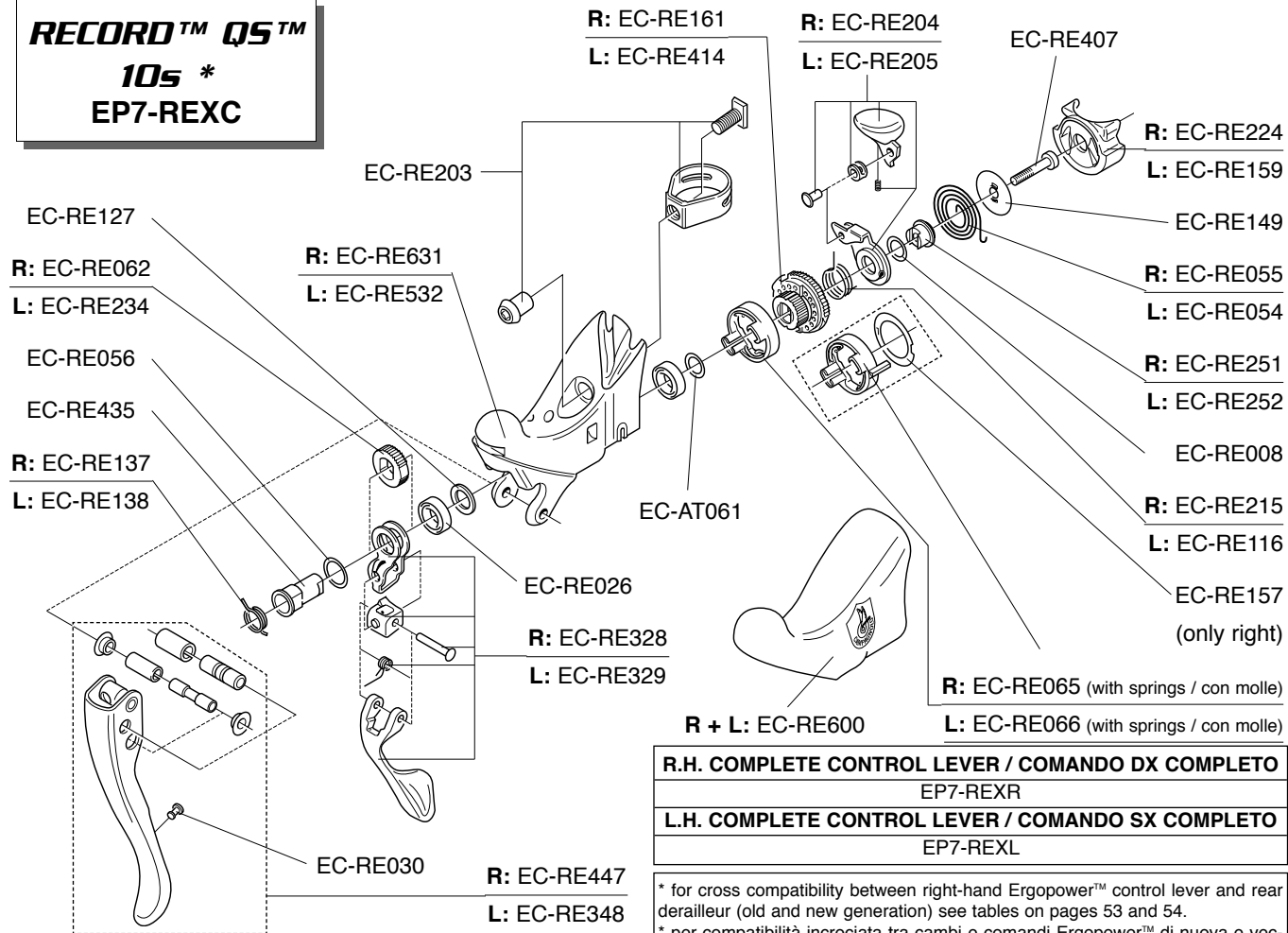
CHAMP TRIPLE™

9s

FD7-CP3..



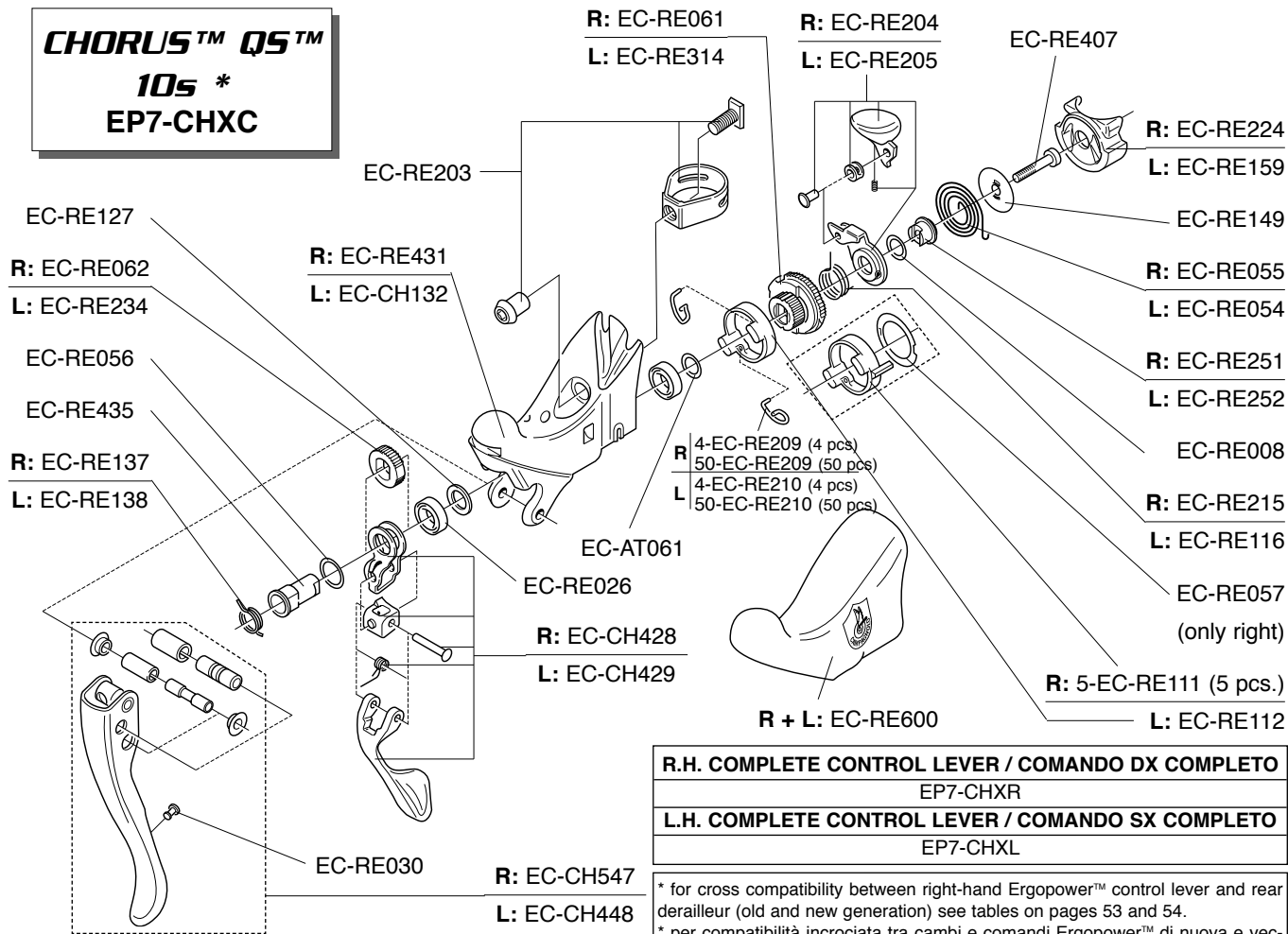
RECORD™ QS™
10s *
EP7-REXC



R.H. COMPLETE CONTROL LEVER / COMANDO DX COMPLETO
EP7-REXR
L.H. COMPLETE CONTROL LEVER / COMANDO SX COMPLETO
EP7-REXL

* for cross compatibility between right-hand ErgoPower™ control lever and rear derailleur (old and new generation) see tables on pages 53 and 54.
 * per compatibilità incrociata tra cambi e comandi ErgoPower™ di nuova e vecchia generazione vedi tabelle alle pagg. 53 e 54.

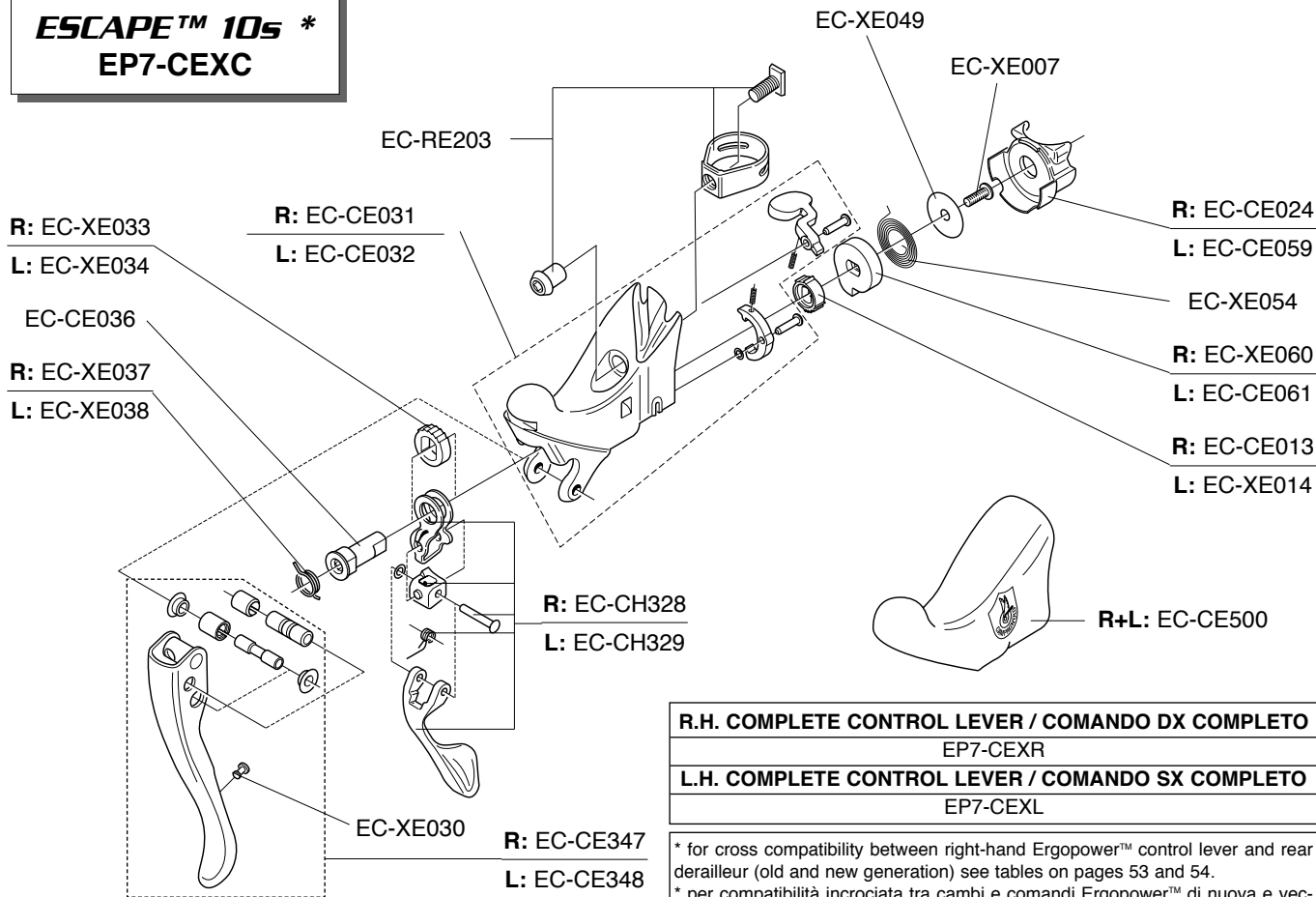
CHORUS™ QS™
10s *
EP7-CHXC



R.H. COMPLETE CONTROL LEVER / COMANDO DX COMPLETO
EP7-CHXR
L.H. COMPLETE CONTROL LEVER / COMANDO SX COMPLETO
EP7-CHXL

* for cross compatibility between right-hand Ergopower™ control lever and rear derailleur (old and new generation) see tables on pages 53 and 54.
 * per compatibilità incrociata tra cambi e comandi Ergopower™ di nuova e vecchia generazione vedi tabelle alle pagg. 53 e 54.

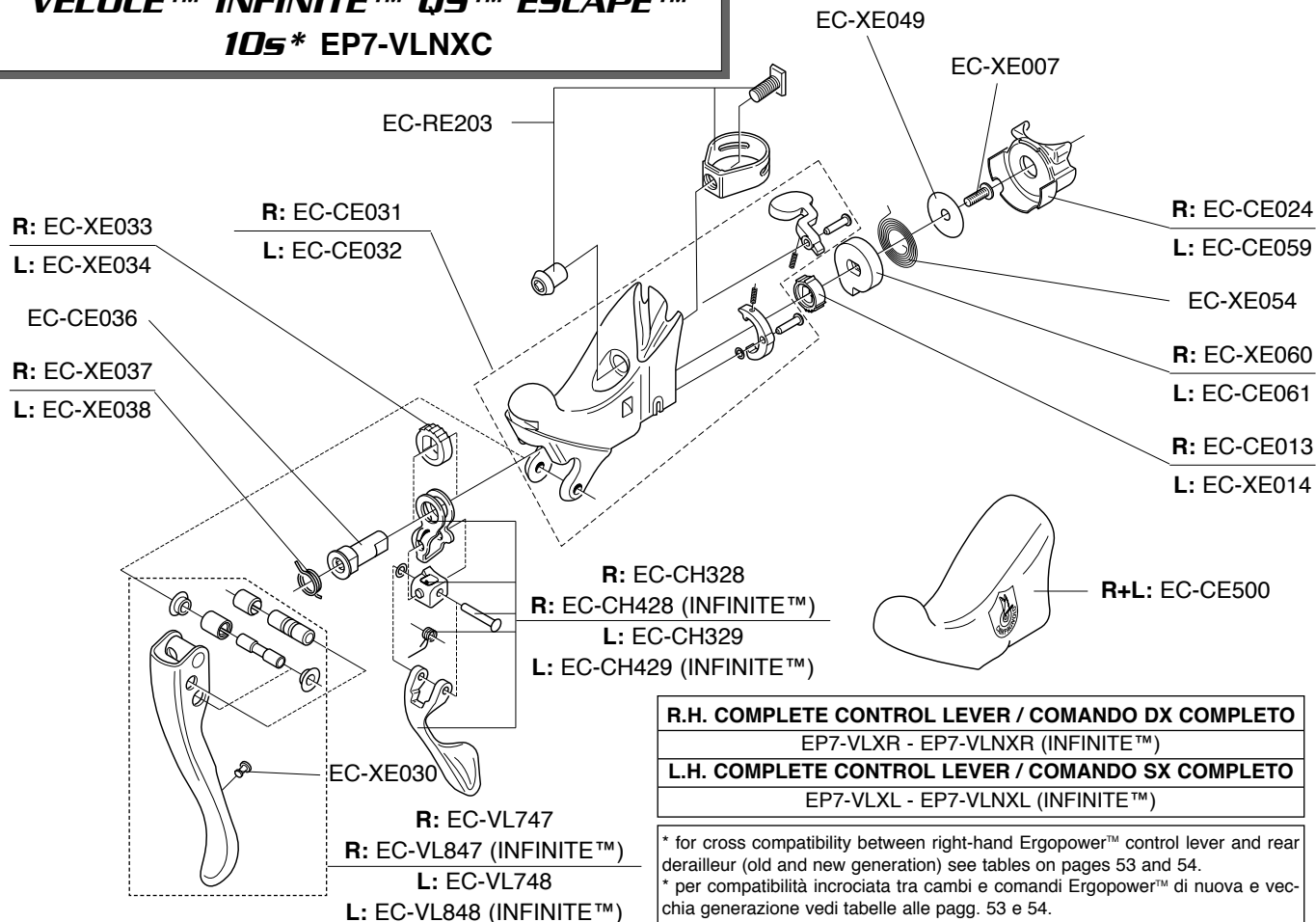
CENTAUR™ QS™
ESCAPE™ 10s *
EP7-CEXC



R.H. COMPLETE CONTROL LEVER / COMANDO DX COMPLETO
EP7-CEXR
L.H. COMPLETE CONTROL LEVER / COMANDO SX COMPLETO
EP7-CEXL

* for cross compatibility between right-hand Ergopower™ control lever and rear derailleur (old and new generation) see tables on pages 53 and 54.
 * per compatibilità incrociata tra cambi e comandi Ergopower™ di nuova e vecchia generazione vedi tabelle alle pagg. 53 e 54.

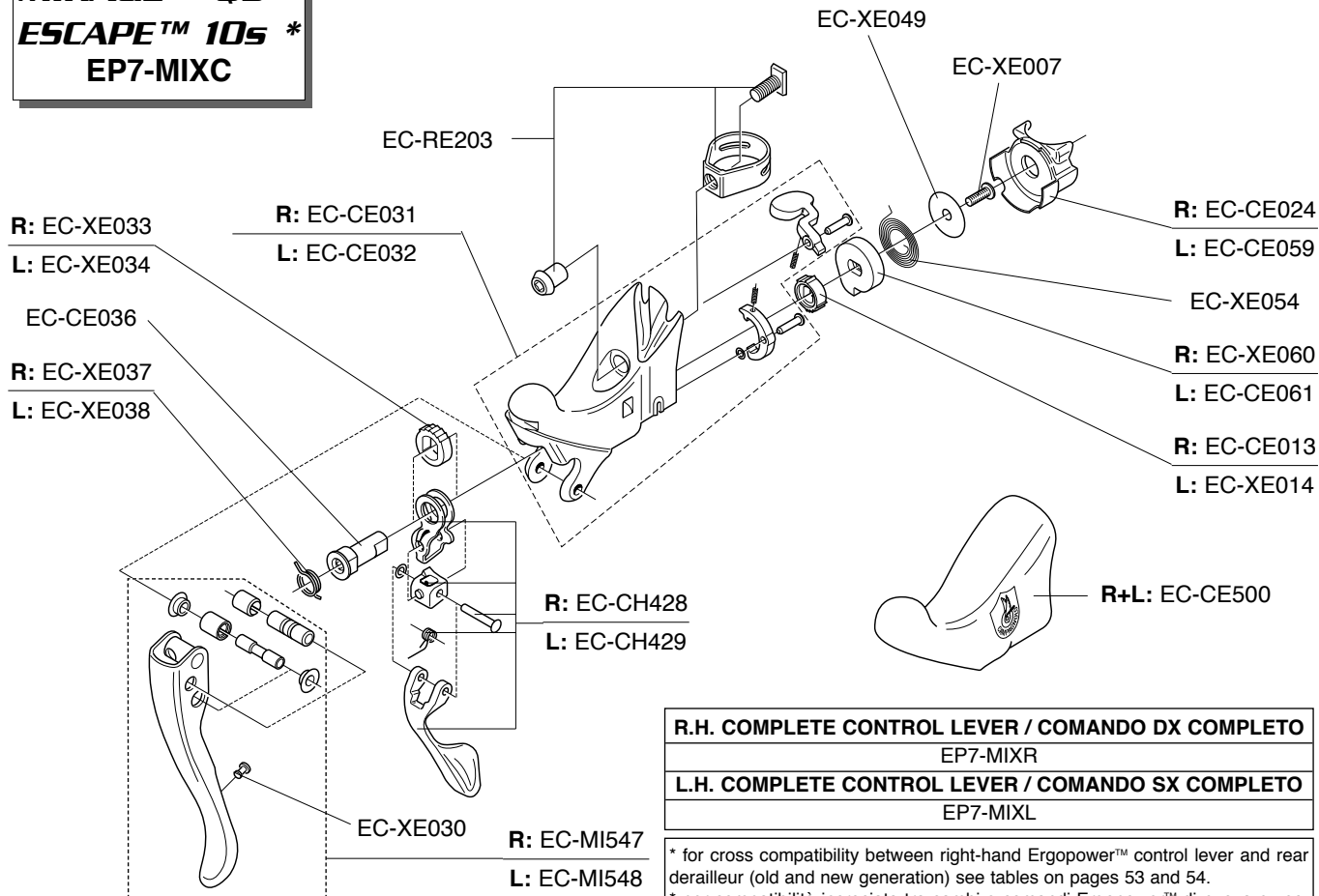
VELOCE™ QS™ ESCAPE™ 10s* EP7-VLXC
VELOCE™ INFINITE™ QS™ ESCAPE™
10s* EP7-VLNXC



R.H. COMPLETE CONTROL LEVER / COMANDO DX COMPLETO
EP7-VLXR - EP7-VLNXR (INFINITE™)
L.H. COMPLETE CONTROL LEVER / COMANDO SX COMPLETO
EP7-VLXL - EP7-VLNXL (INFINITE™)

* for cross compatibility between right-hand Ergopower™ control lever and rear derailleur (old and new generation) see tables on pages 53 and 54.
 * per compatibilità incrociata tra cambi e comandi Ergopower™ di nuova e vecchia generazione vedi tabelle alle pagg. 53 e 54.

MIRAGE™ QS™
ESCAPE™ 10s *
EP7-MIXC



R.H. COMPLETE CONTROL LEVER / COMANDO DX COMPLETO

EP7-MIXR

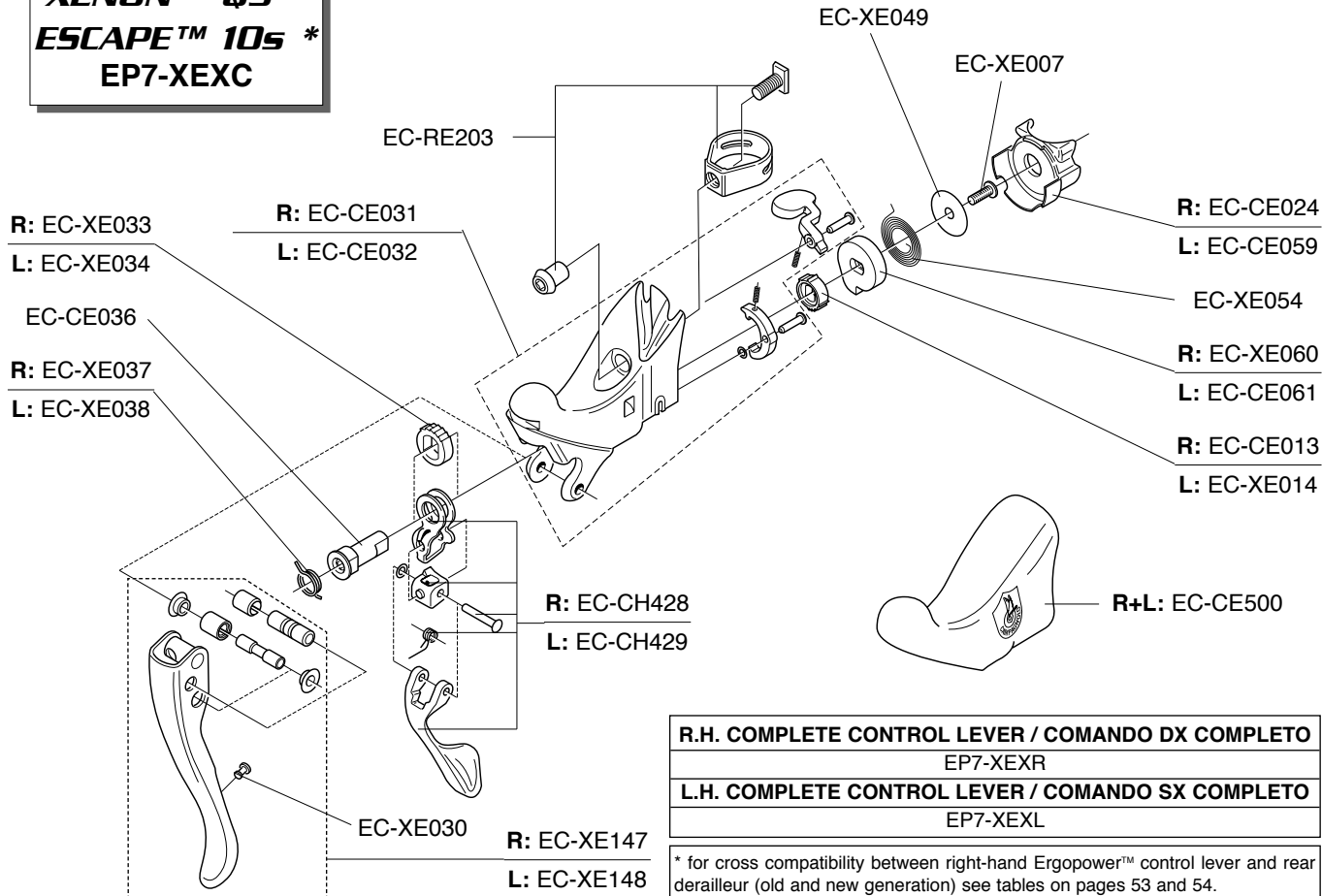
L.H. COMPLETE CONTROL LEVER / COMANDO SX COMPLETO

EP7-MIXL

* for cross compatibility between right-hand Ergopower™ control lever and rear derailleur (old and new generation) see tables on pages 53 and 54.

* per compatibilità incrociata tra cambi e comandi Ergopower™ di nuova e vecchia generazione vedi tabelle alle pagg. 53 e 54.

**XENON™ QS™
ESCAPE™ 10s *
EP7-XEXC**




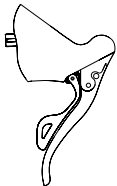
R.H. COMPLETE CONTROL LEVER / COMANDO DX COMPLETO
EP7-XEXR
L.H. COMPLETE CONTROL LEVER / COMANDO SX COMPLETO
EP7-XEXL

* for cross compatibility between right-hand Ergopower™ control lever and rear derailleur (old and new generation) see tables on pages 53 and 54.
* per compatibilità incrociata tra cambi e comandi Ergopower™ di nuova e vecchia generazione vedi tabelle alle pagg. 53 e 54.

**CROSS COMPATIBILITY BETWEEN RIGHT-HAND ERGOPOWER™
CONTROL LEVERS AND REAR DERAILLEURS
(old and new generation)**

**COMPATIBILITÀ INCROCIATA TRA COMANDI ERGOPOWER™ DX E CAMBI
(nuova e vecchia generazione)**

ERGOPOWER™ CONTROL LEVERS / COMANDI ERGOPOWER™

SPEED / VELOCITÀ	YEAR / ANNO	FEATURES / CARATTERISTICHE		
8s	< 1988	"old style" (pointed) body / corpo a punta		up to/ fino al 1997
9s	1997	"old style" (pointed) body / corpo a punta		
9s	1998	"new style" (rounded) body / corpo arrotondato		
9s	1999-2000	"new style" (rounded) body, ErgoBrain computer ready / corpo arrotondato, predisposizione ErgoBrain		from/dal 1998 to/al 2007
9s	2001-2006	"9 speed" mark, "new style" (rounded) body, ErgoBrain™ computer ready / logo "9 speed" sul corpo, corpo arrotondato, compatibile con ErgoBrain™		
10s	2000-2006	"10 speed" mark, "new style" (rounded) body, ErgoBrain10™ computer ready / logo "10 speed" sul corpo, corpo arrotondato, compatibile con ErgoBrain10™		
10s RECORD™/CHORUS™	2007	"new style" body, "QS" mark on the left body, ErgoBrain10™ computer ready / logo "QS" sul corpo comando sinistro, compatibile con ErgoBrain10™		
10s CENTAUR™/VELOCE™/ MIRAGE™/XENON™	2007	"QS" mark on the left body, ESCAPE™ mechanism not compatible with ErgoBrain™ and ErgoBrain10™ computer/ logo "QS" sul corpo comando sinistro, meccanismo ESCAPE™ non compatibile con ErgoBrain™ e ErgoBrain10™		

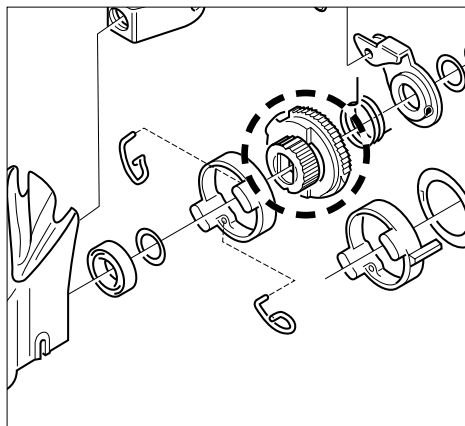
REAR DERAILLEUR / CAMBIO

SPEED / VELOCITÀ	YEAR / ANNO	FEATURES / CARATTERISTICHE
8s	< 1998	adjusting system on the upper body / sistema di registrazione sul corpo superiore
9s	1997-2000	adjusting system on the upper body / sistema di registrazione sul corpo superiore
9s	2001-2007	adjusting system on the lower body / sistema di registrazione sul corpo inferiore



**CROSS COMPATIBILITY BETWEEN RIGHT-HAND ERGOPOWER™
CONTROL LEVERS AND REAR DERAILLEURS
(old and new generation)**

**COMPATIBILITÀ INCROCIATA TRA COMANDI ERGOPOWER™ DX E CAMBI
(nuova e vecchia generazione)**

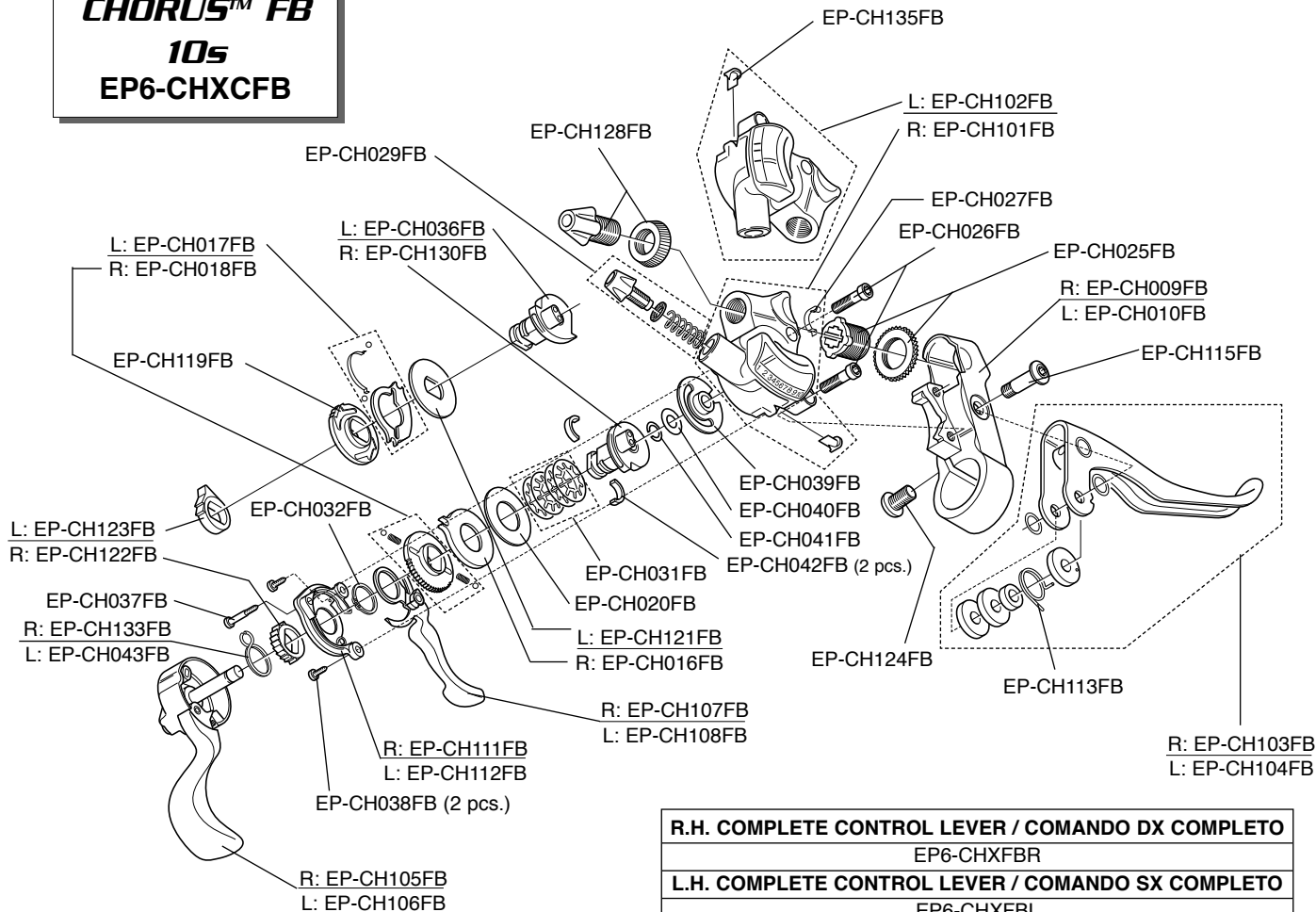


The codes in the table are referring to the indexing ratchet of the right-hand Ergopower™ (see the figure). To ensure the compatibility between replace the indexing ratchet with the one indicated in the table (referring to the rear derailleur / Ergopower™ control levers combination).

I codici in tabella si riferiscono alla bussola dentata (evidenziata in figura) del comando dx Ergopower™: per assicurare la compatibilità tra cambio ed Ergopower destro, va eventualmente sostituita la bussola dentata esistente con quella indicata in tabella (a seconda della combinazione cambio / comandi Ergopower™).

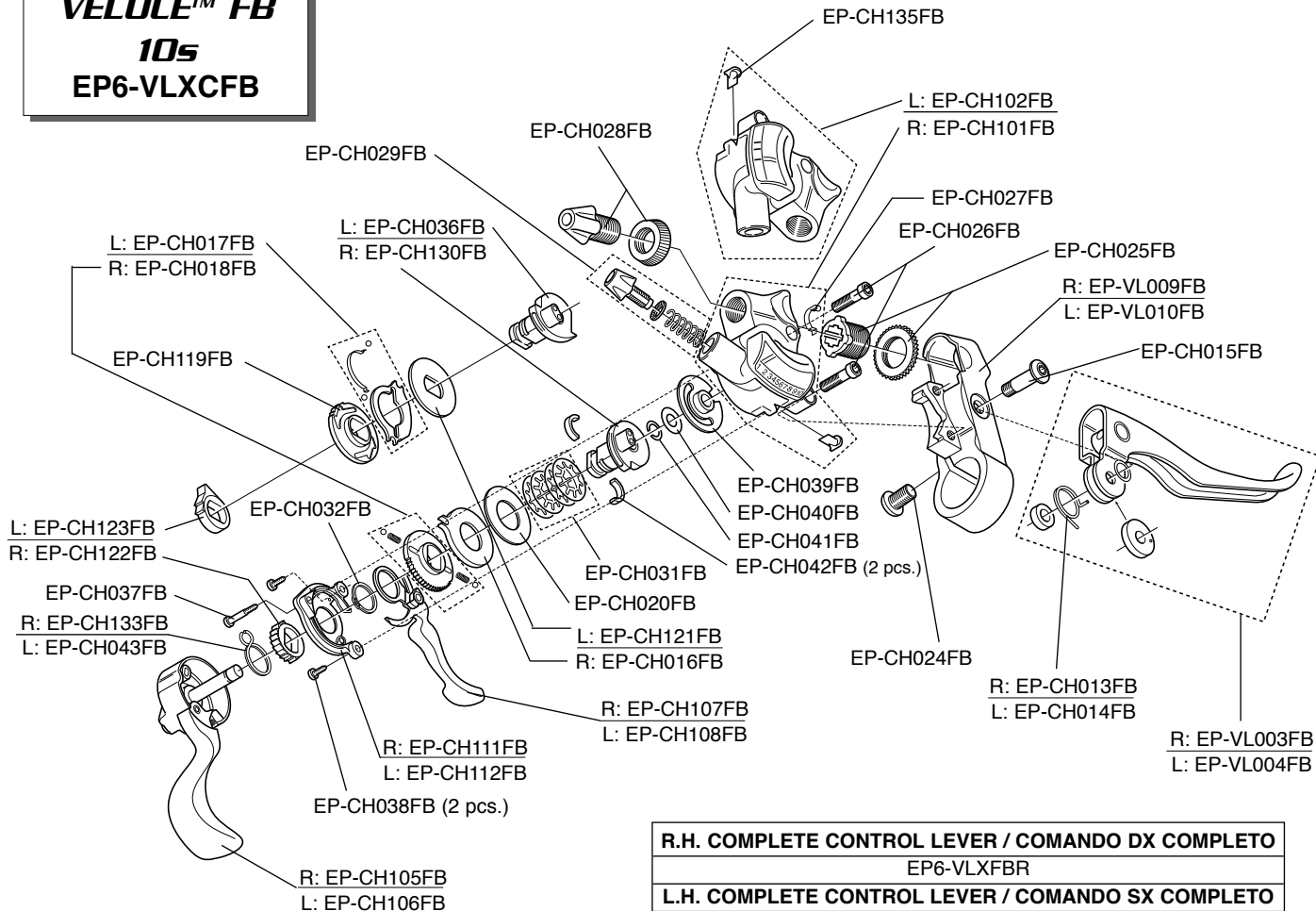
	9s 2001-2007 rear derailleur / cambio 9s 2001-2007	9s 1997-2000 rear derailleur / cambio 9s 1997-2000	8s rear derailleur / cambio 8s
Ergopower™ 8s	OK * (with C9 chain / con catena C9)	OK * (with C9 chain / con catena C9)	OK
Ergopower™ 9s 1999-2000	EC-RE063	OK	EC-RE060
Ergopower™ 9s 2001-2006	OK	EC-RE313	EC-RE060
Ergopower™ 10s 2000-2006	EC-RE063	EC-RE313	EC-RE060
Ergopower™ 10s 2007 RE-CH	EC-RE063	EC-RE313	EC-RE060

CHORUS™ FB
10s
EP6-CHXCFB



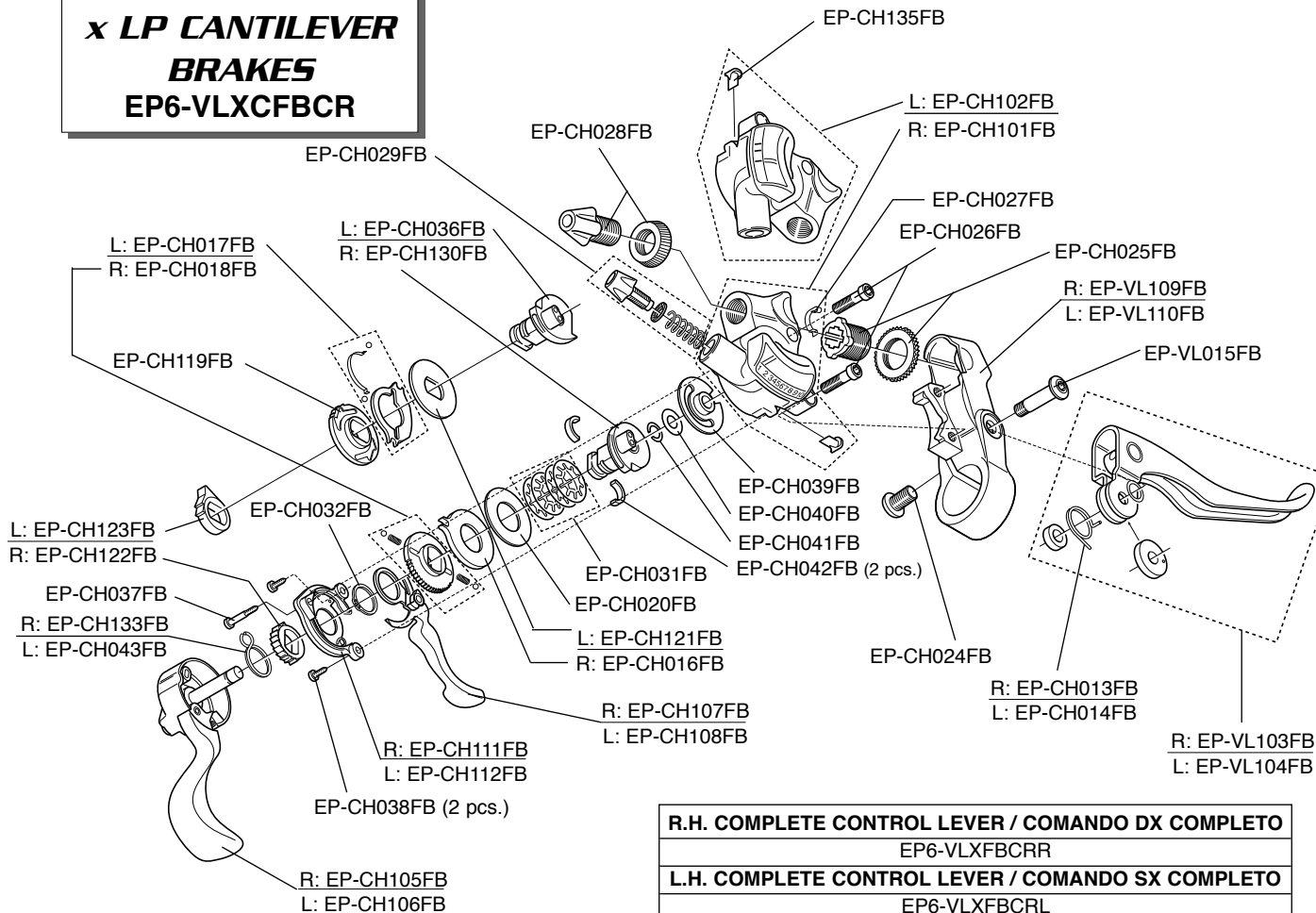
R.H. COMPLETE CONTROL LEVER / COMANDO DX COMPLETO
EP6-CHXFBR
L.H. COMPLETE CONTROL LEVER / COMANDO SX COMPLETO
EP6-CHXFBL

VELOCE™ FB
10s
EP6-VLXCFB



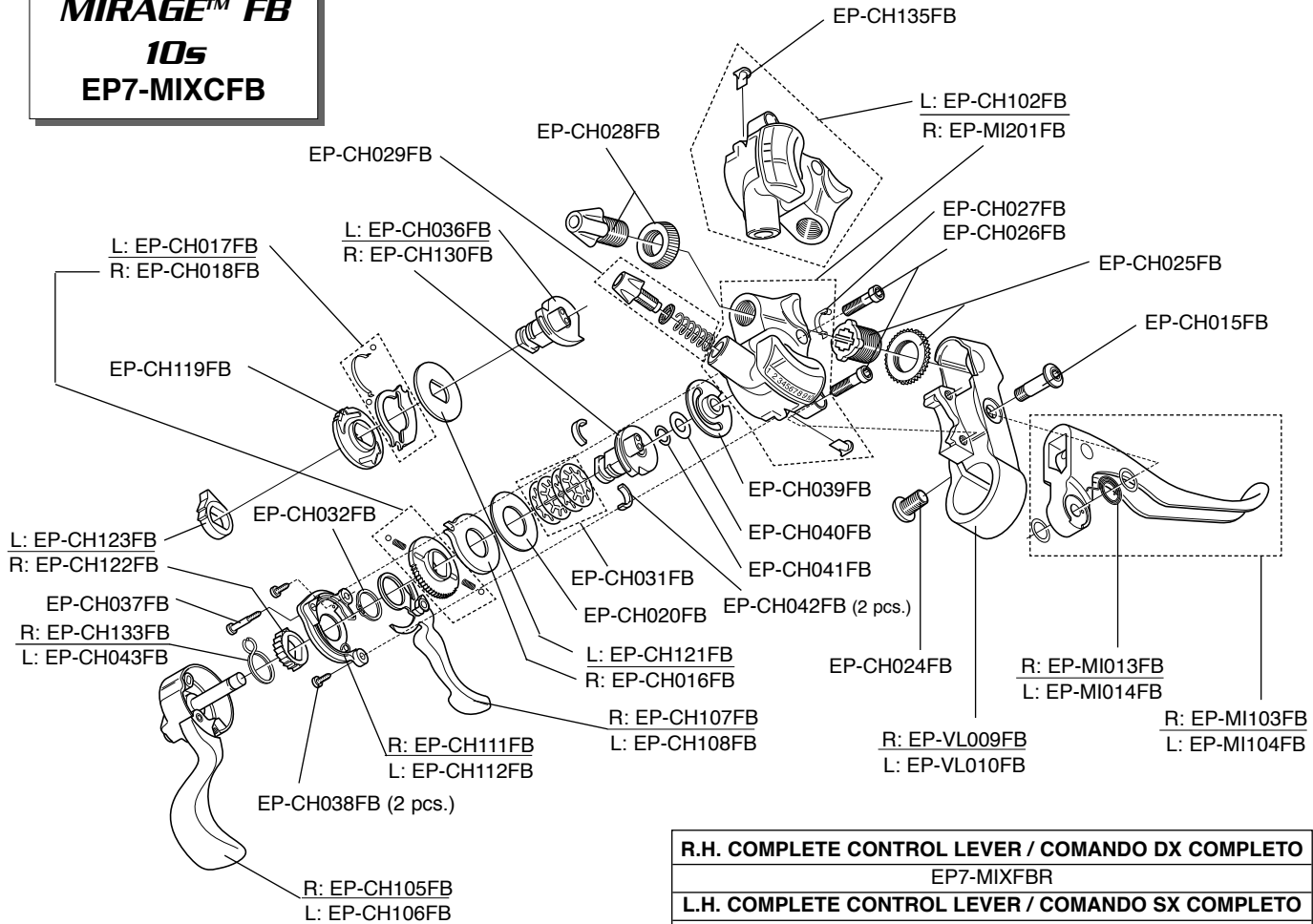
R.H. COMPLETE CONTROL LEVER / COMANDO DX COMPLETO
EP6-VLXFBR
L.H. COMPLETE CONTROL LEVER / COMANDO SX COMPLETO
EP6-VLXFBL

**VELOCE™ FB 10s
x LP CANTILEVER
BRAKES
EP6-VLXCFCR**



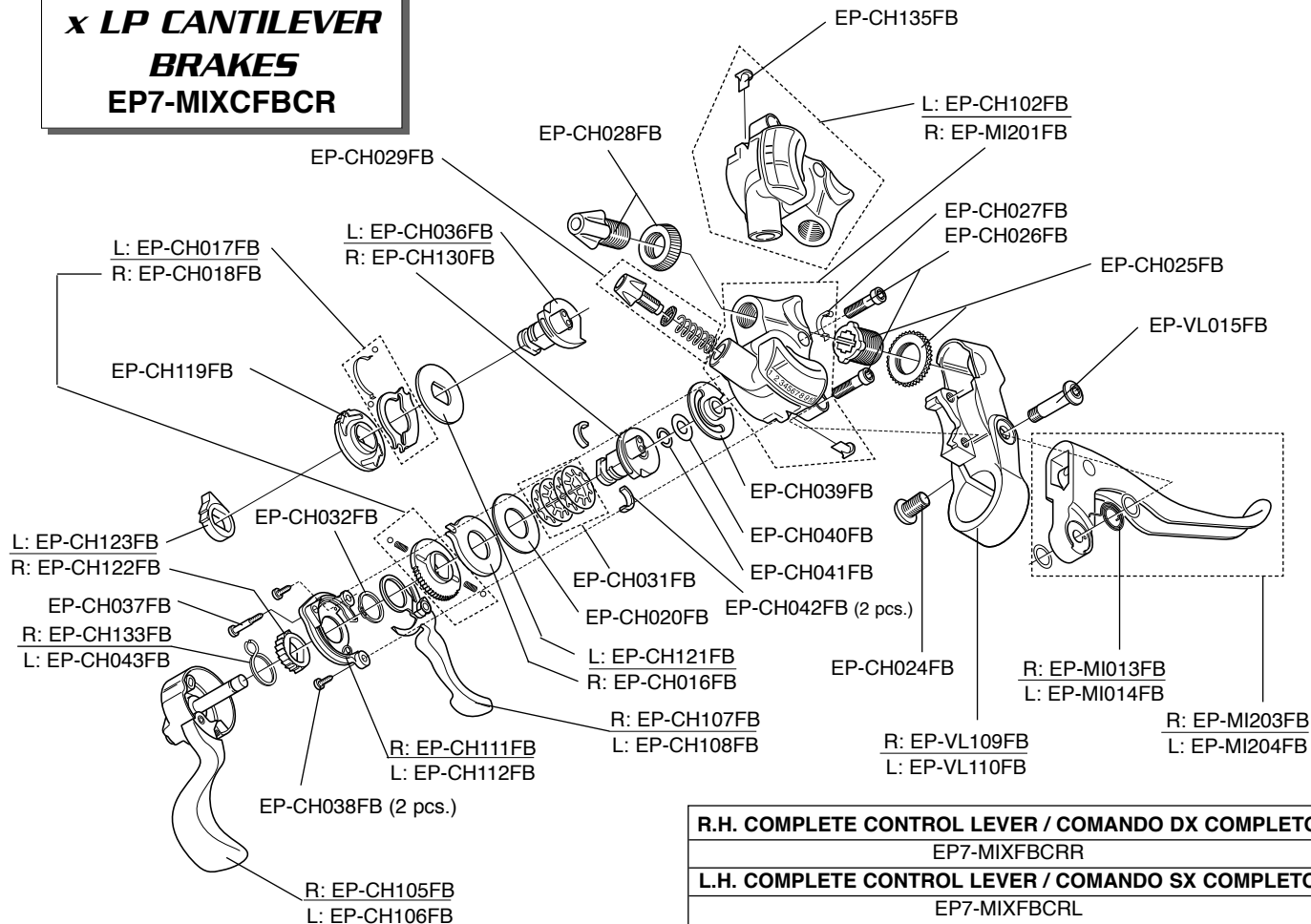
R.H. COMPLETE CONTROL LEVER / COMANDO DX COMPLETO
EP6-VLXCFCRR
L.H. COMPLETE CONTROL LEVER / COMANDO SX COMPLETO
EP6-VLXCFCRL

**MIRAGE™ FB
10s
EP7-MIXCFB**



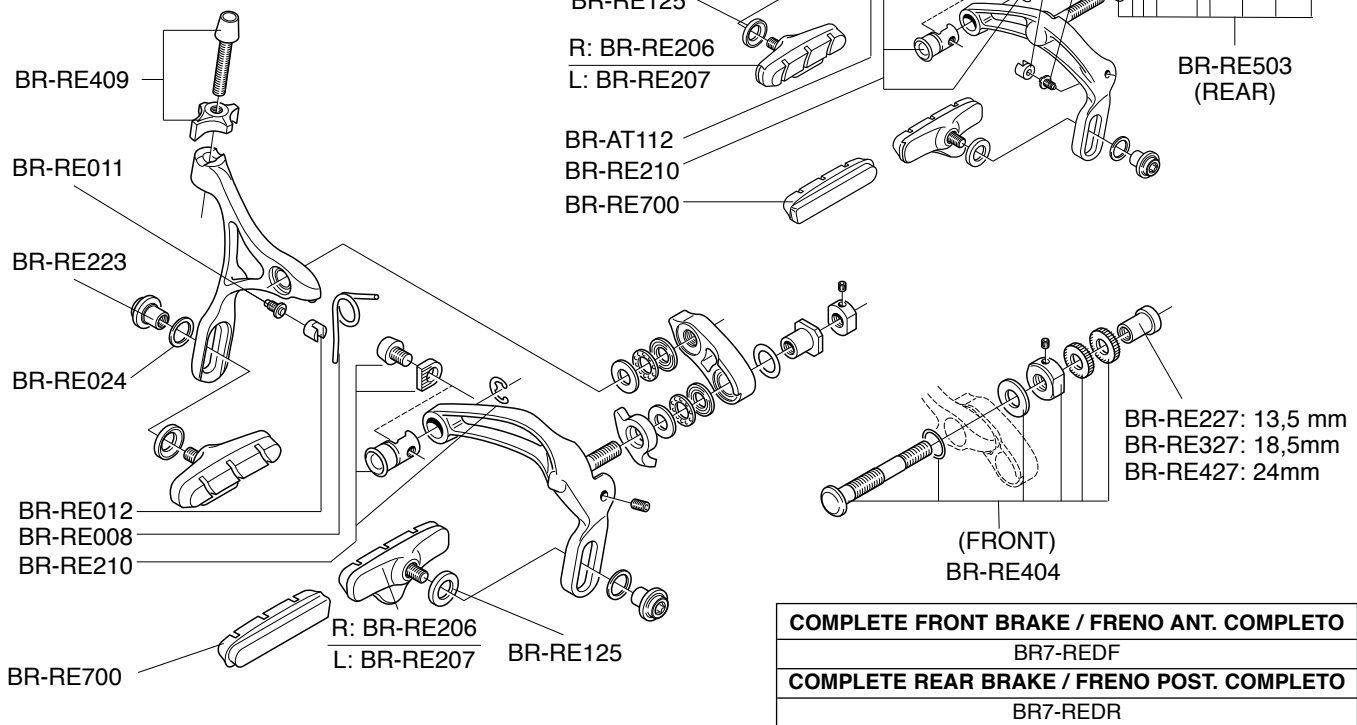
R.H. COMPLETE CONTROL LEVER / COMANDO DX COMPLETO
EP7-MIXFBR
L.H. COMPLETE CONTROL LEVER / COMANDO SX COMPLETO
EP7-MIXFBL

MIRAGE™ FB 10s
x LP CANTILEVER
BRAKES
EP7-MIXCFBCR

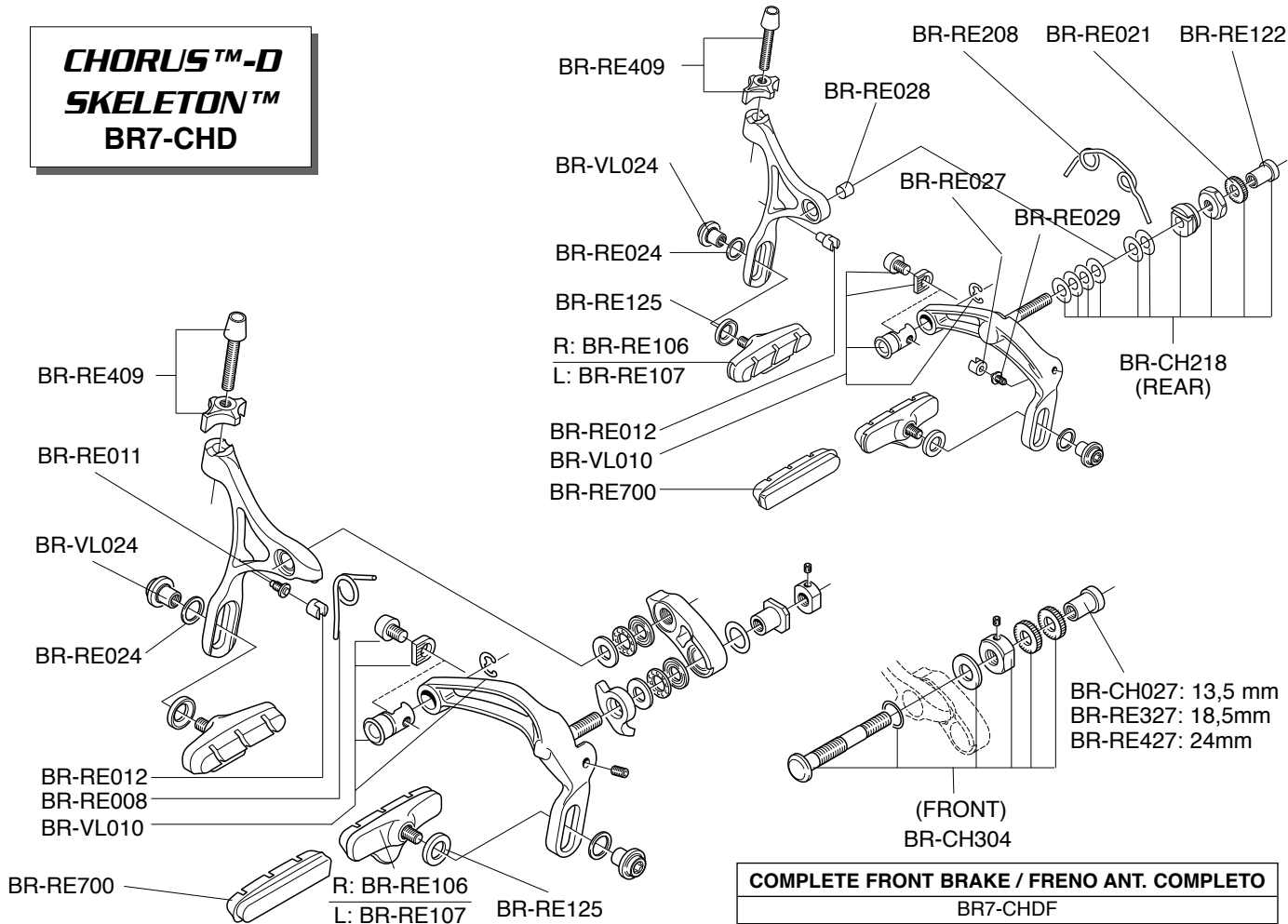


R.H. COMPLETE CONTROL LEVER / COMANDO DX COMPLETO
EP7-MIXFBCRR
L.H. COMPLETE CONTROL LEVER / COMANDO SX COMPLETO
EP7-MIXFBCRL

RECORD™-D SKELETON™ BR7-RED

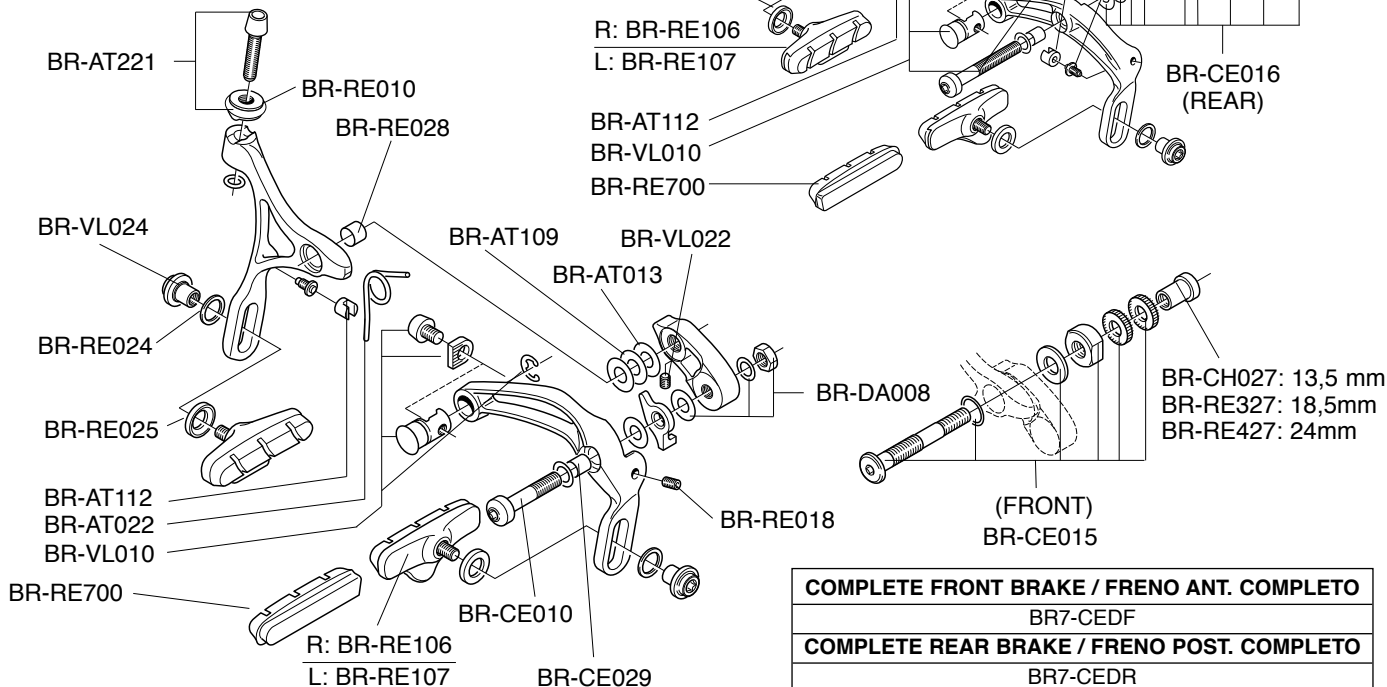


CHORUS™-D
SKELETON™
BR7-CHD



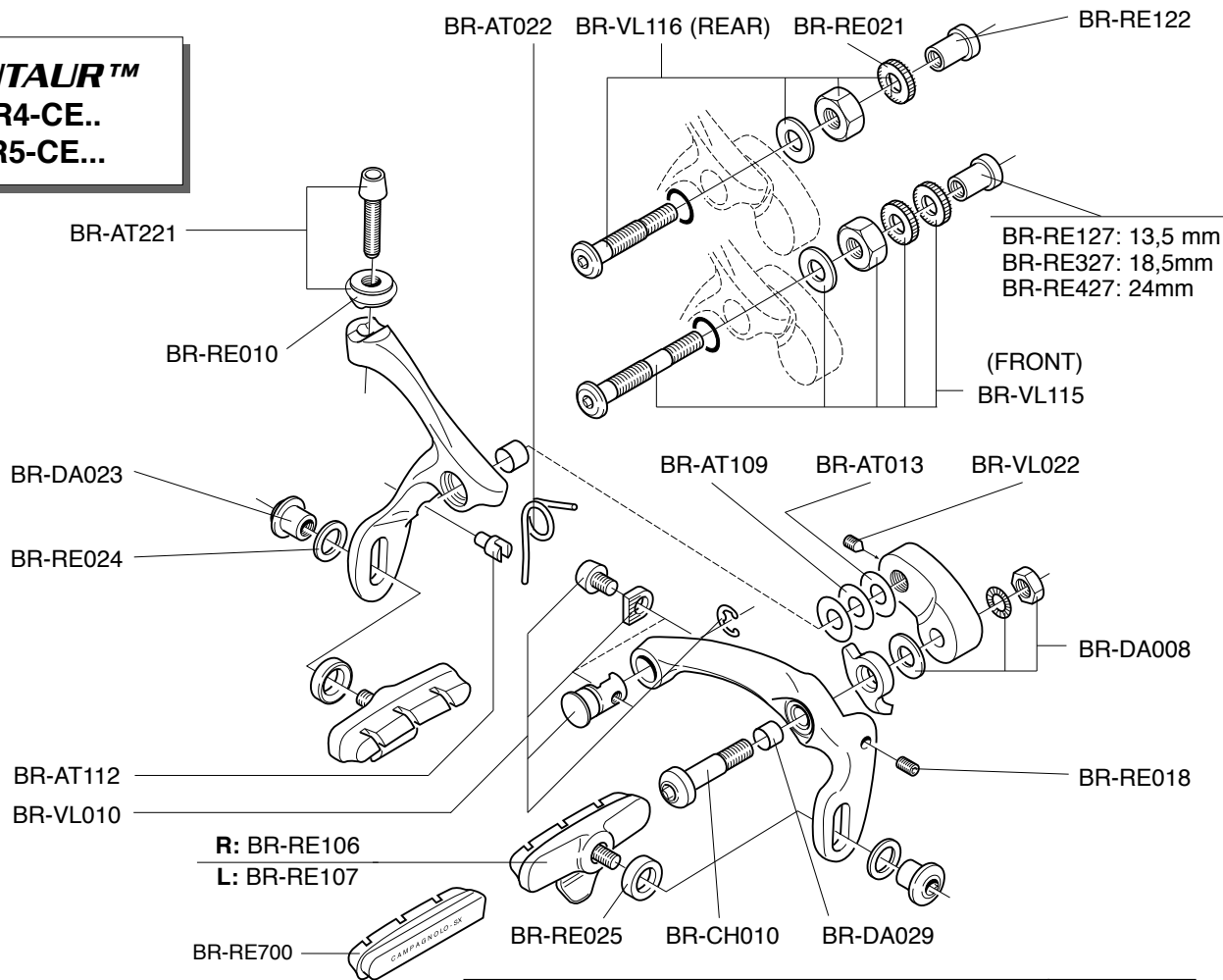
COMPLETE FRONT BRAKE / FRENO ANT. COMPLETO
BR7-CHDF
COMPLETE REAR BRAKE / FRENO POST. COMPLETO
BR7-CHDR

CENTAUR™-D
SKELETON™
BR7-CE..



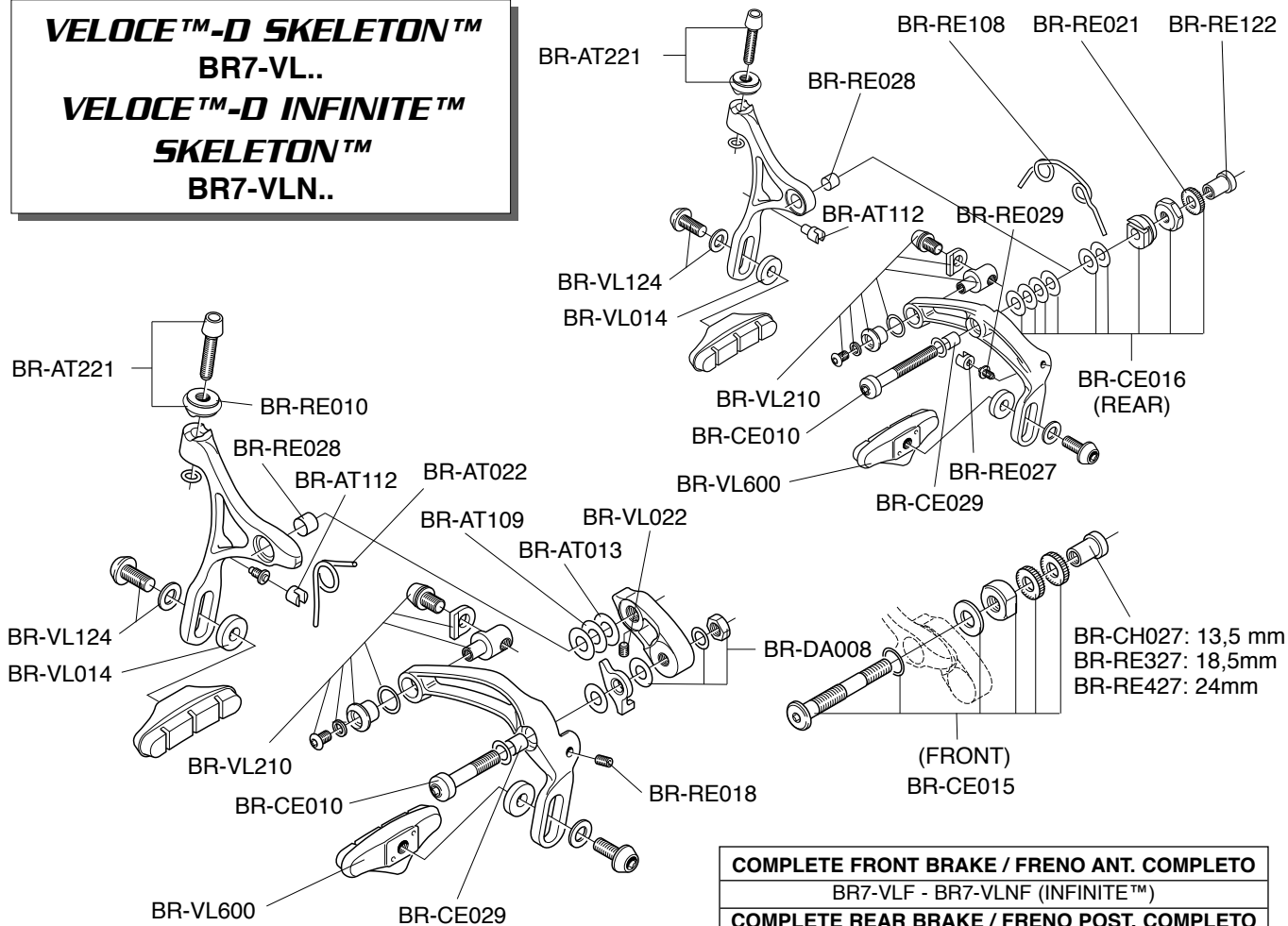
COMPLETE FRONT BRAKE / FRENO ANT. COMPLETO
BR7-CEDF
COMPLETE REAR BRAKE / FRENO POST. COMPLETO
BR7-CEDR

CENTAUR™
BR4-CE..
BR5-CE...



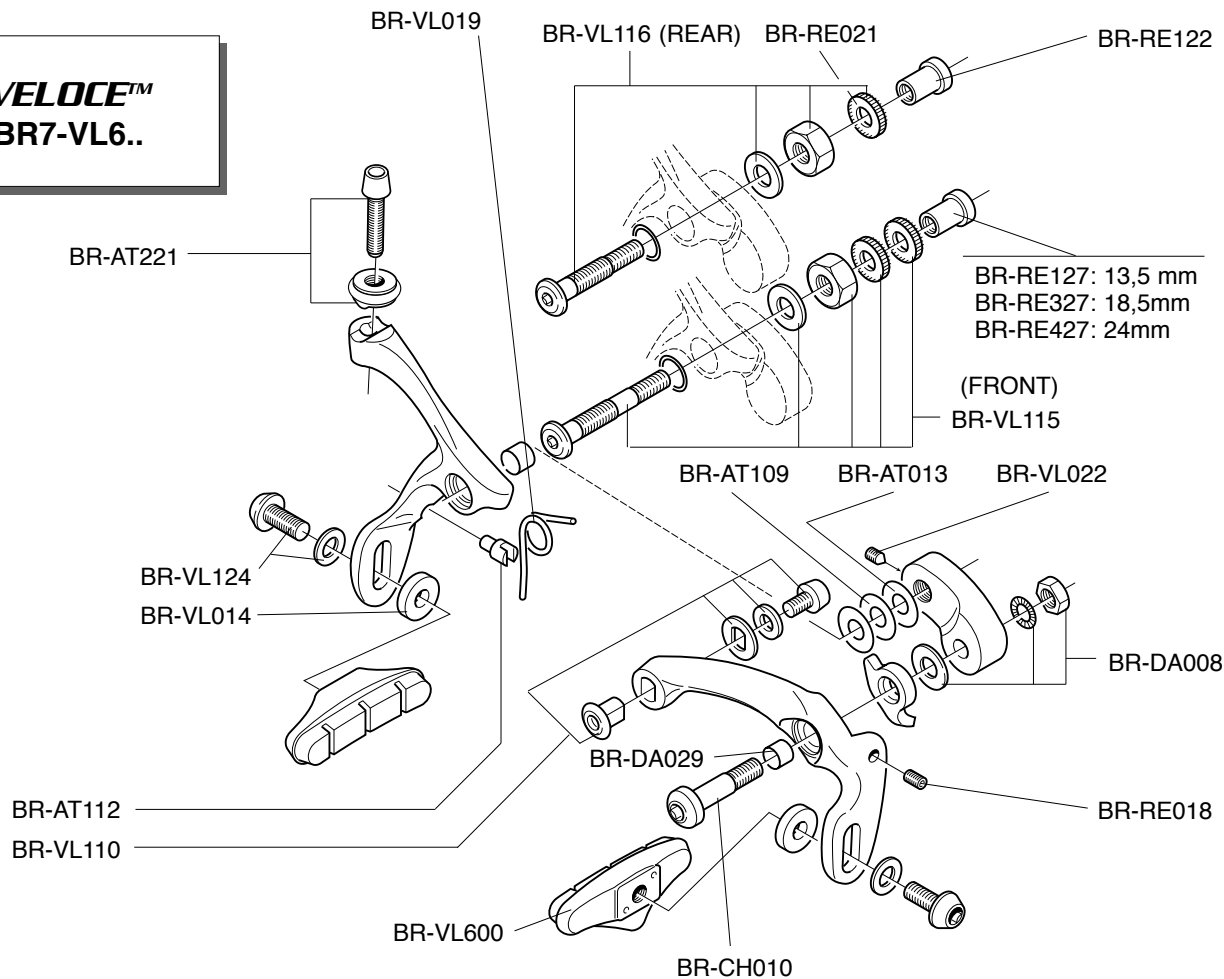
COMPLETE FRONT BRAKE / FRENO ANT. COMPLETO	BR4-CEF
COMPLETE REAR BRAKE / FRENO POST. COMPLETO	BR4-CER

VELOCE™-D SKELETON™
BR7-VL..
VELOCE™-D INFINITE™
SKELETON™
BR7-VLN..



COMPLETE FRONT BRAKE / FRENO ANT. COMPLETO
BR7-VLF - BR7-VLNF (INFINITE™)
COMPLETE REAR BRAKE / FRENO POST. COMPLETO
BR7-VLR - BR7-VLNR (INFINITE™)

VELOCE™
BR7-VL6..

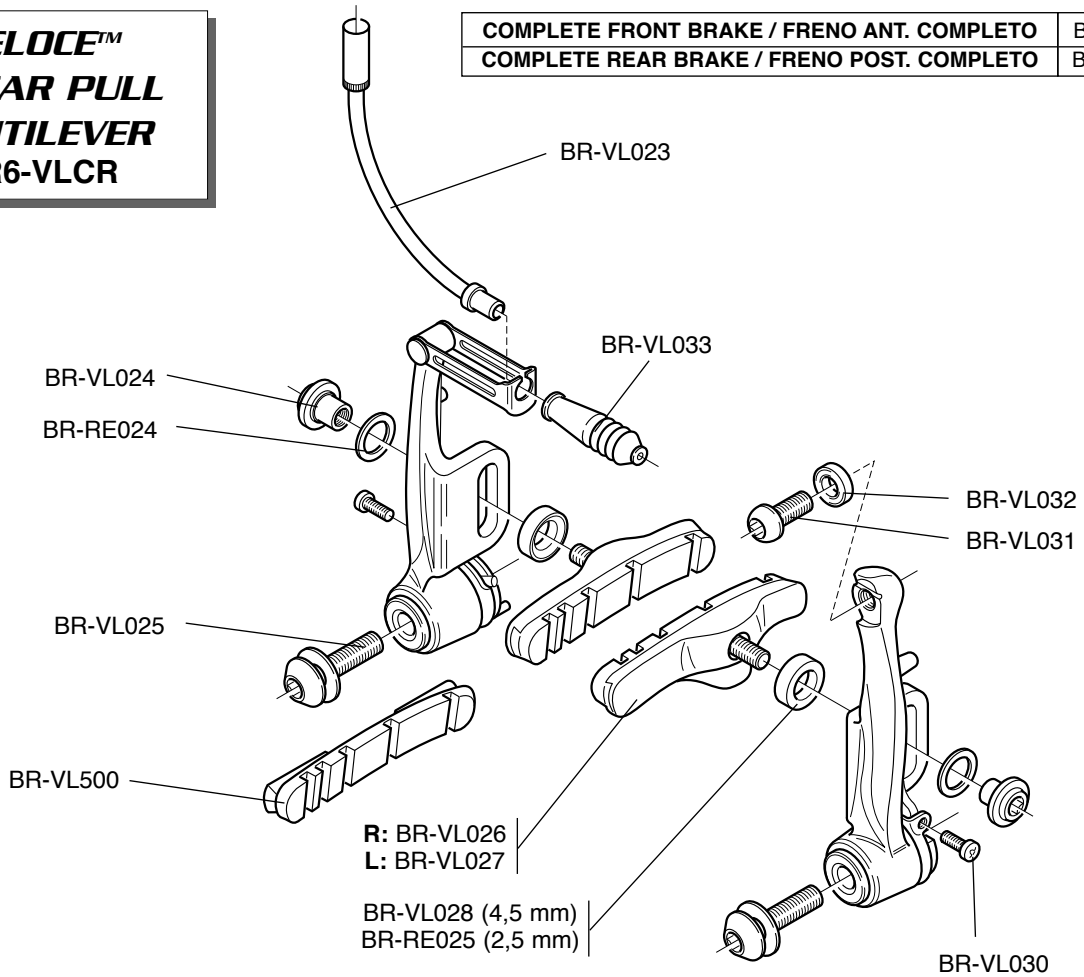


COMPLETE FRONT BRAKE / FRENO ANT. COMPLETO
COMPLETE REAR BRAKE / FRENO POST. COMPLETO

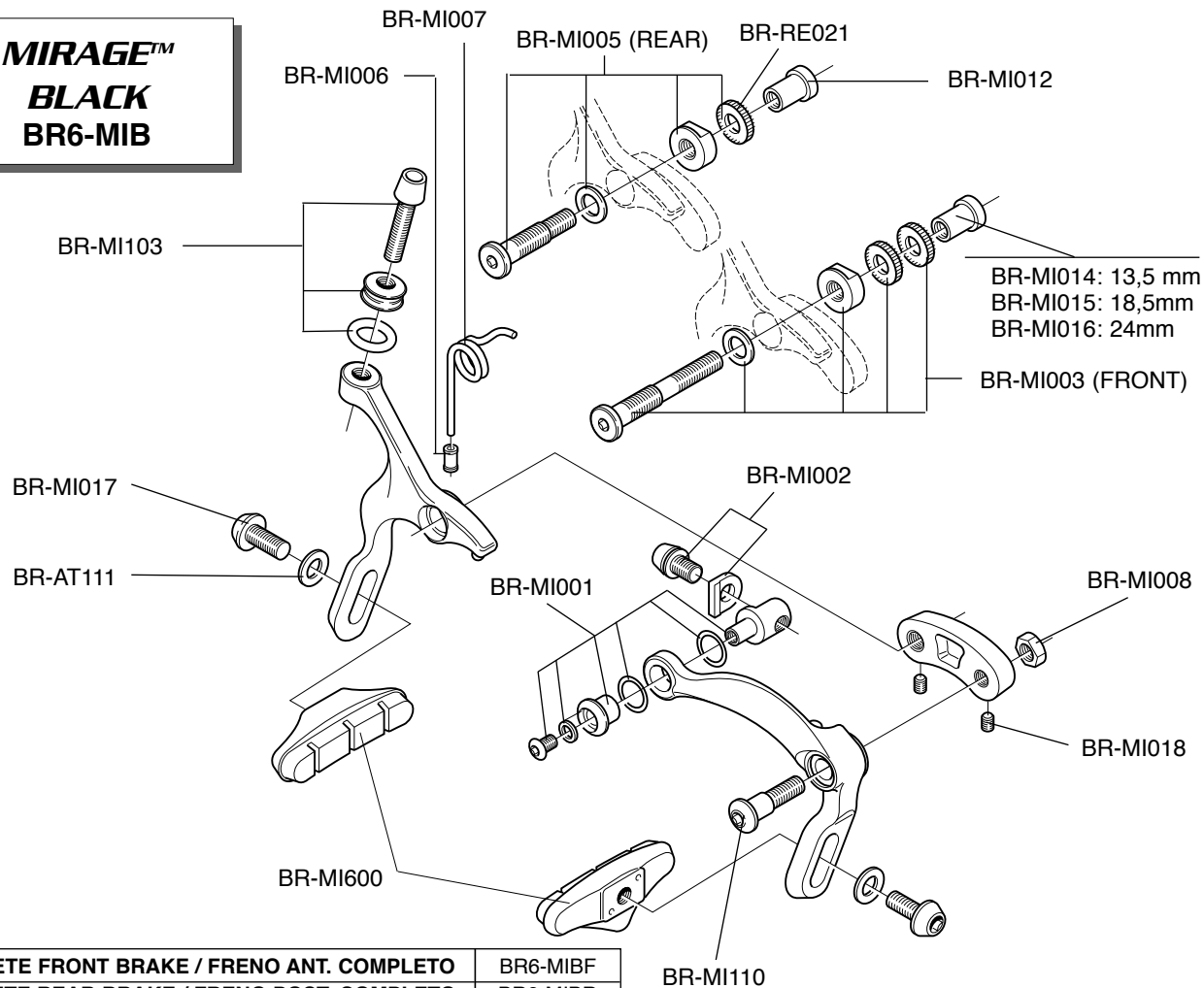
BR7-VL6F
BR7-VL6R

VELOCE™
LINEAR PULL
CANTILEVER
BR6-VLCR

COMPLETE FRONT BRAKE / FRENO ANT. COMPLETO	BR6-VLCRF
COMPLETE REAR BRAKE / FRENO POST. COMPLETO	BR6-VLCRR



MIRAGE™
BLACK
BR6-MIB



COMPLETE FRONT BRAKE / FRENO ANT. COMPLETO

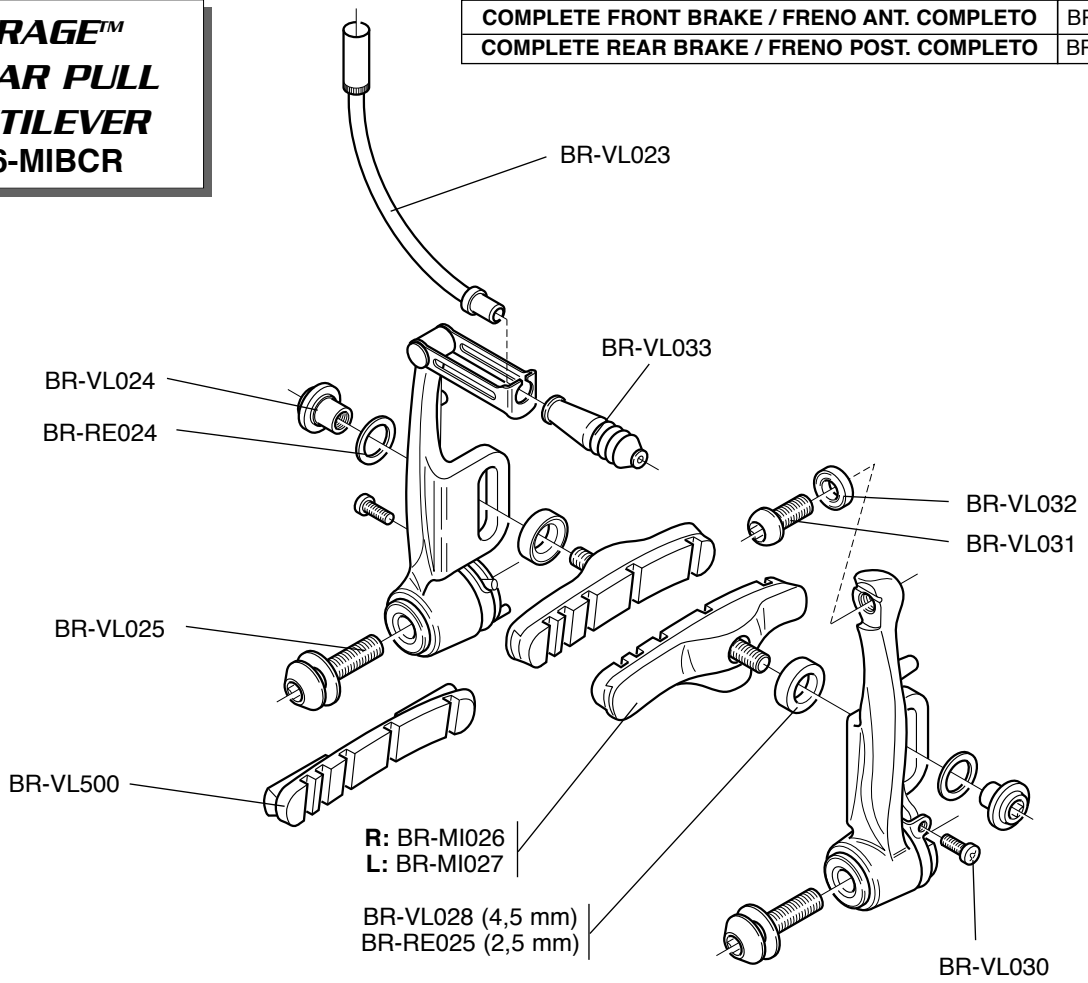
BR6-MIBF

COMPLETE REAR BRAKE / FRENO POST. COMPLETO

BR6-MIBR

**MIRAGE™
LINEAR PULL
CANTILEVER
BR6-MIBCR**

COMPLETE FRONT BRAKE / FRENO ANT. COMPLETO	BR6-MIBCRF
COMPLETE REAR BRAKE / FRENO POST. COMPLETO	BR6-MIBCRR



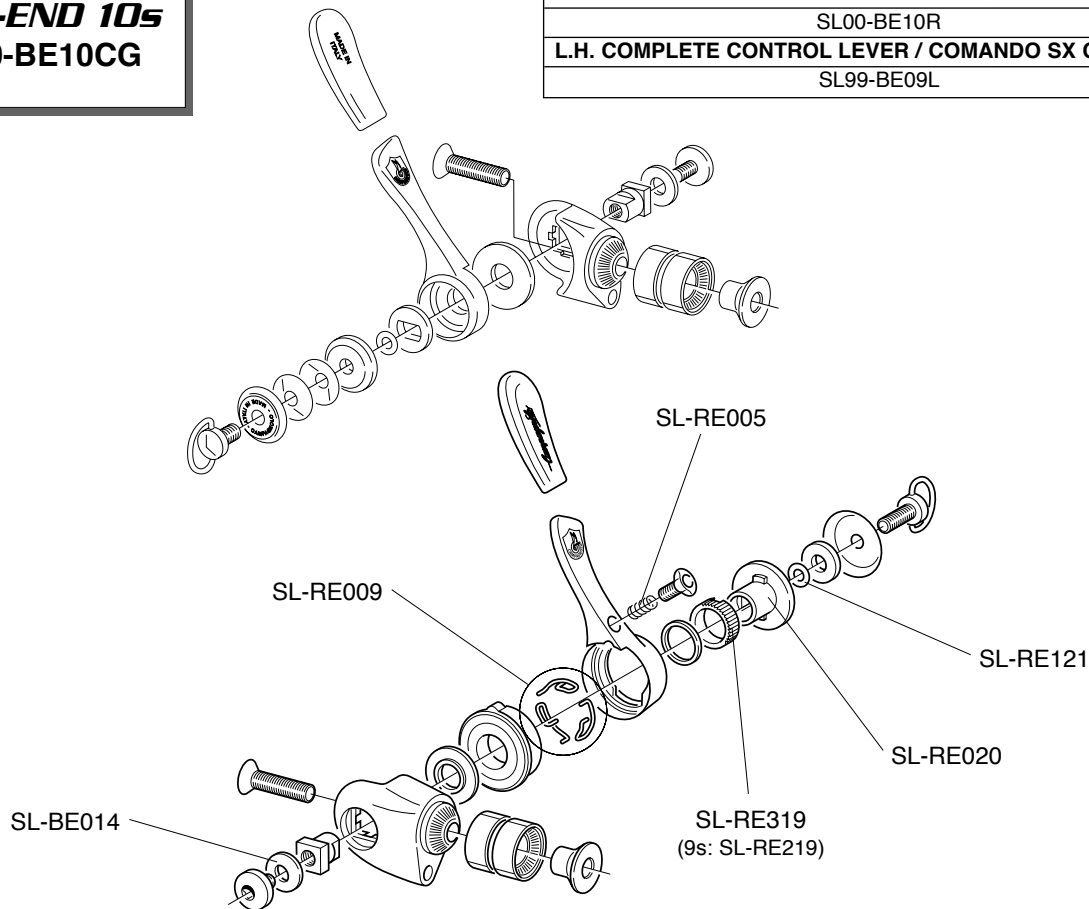
BAR-END 10s
SL00-BE10CG

R.H. COMPLETE CONTROL LEVER / COMANDO DX COMPLETO

SL00-BE10R

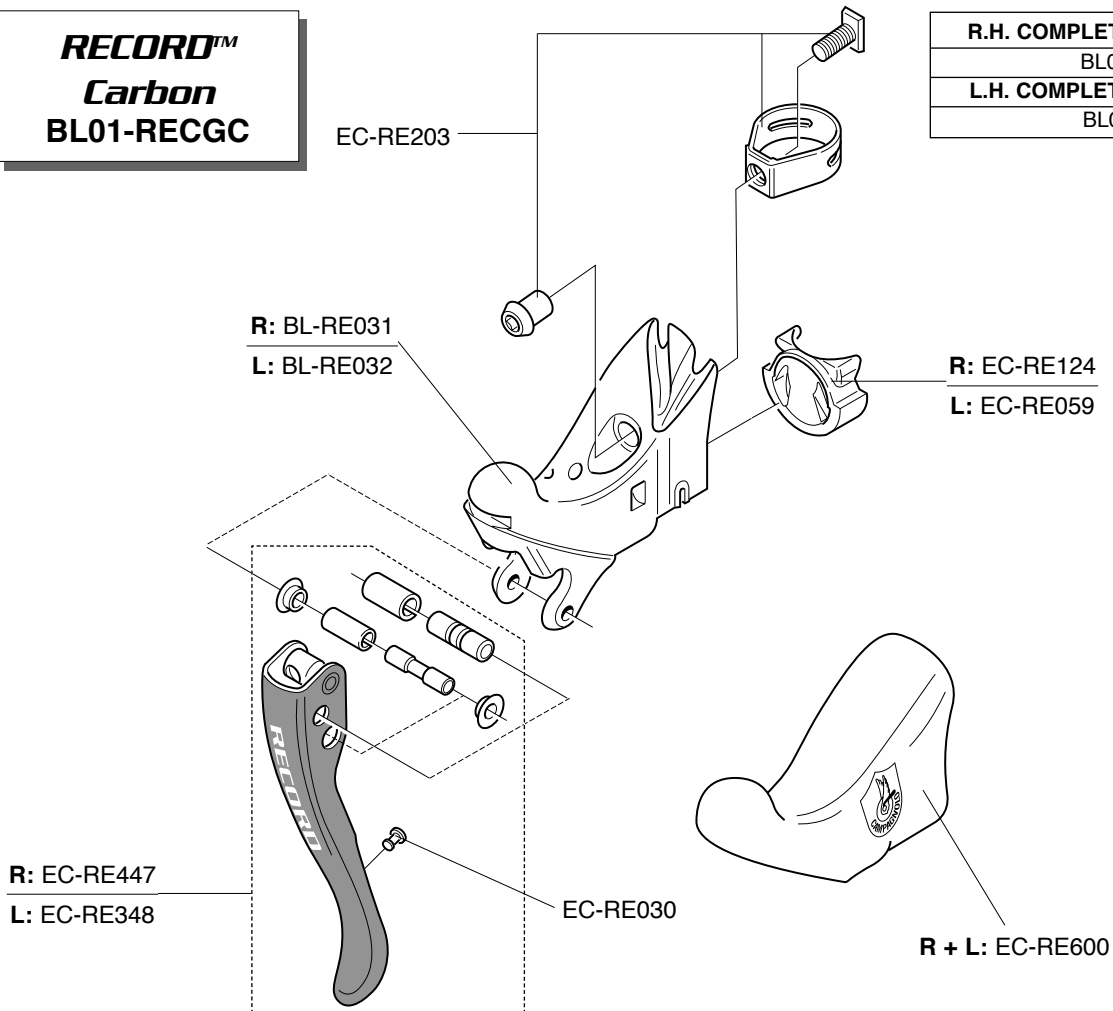
L.H. COMPLETE CONTROL LEVER / COMANDO SX COMPLETO

SL99-BE09L



RECORD™
Carbon
BL01-RECGC

R.H. COMPLETE / DX COMPLETO
BL01-RECR
L.H. COMPLETE / SX COMPLETO
BL01-RECL

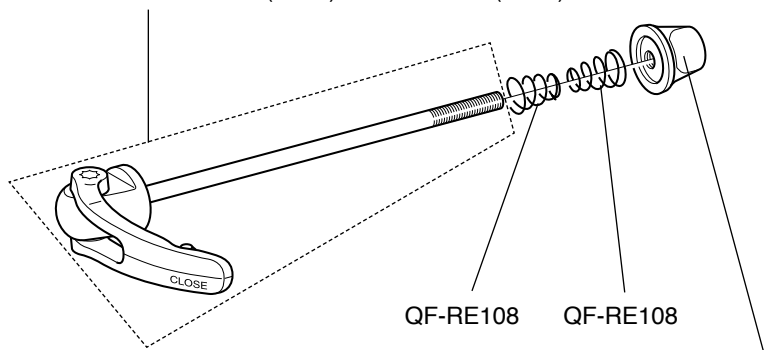


SILVER
QF6-20 (front)
QR6-20 (rear)
BLACK
QF6-20B (front)
QR6-20B (rear)

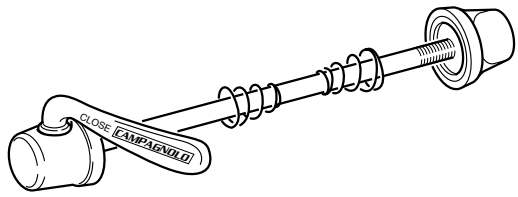
SILVER
QF6-30 (front)
QR6-30 (rear)
BLACK
QF6-30B (front)
QR6-30B (rear)

SILVER
QF6-40 (front)
QR6-40 (rear)
BLACK
QF6-40B (front)
QR6-40B (rear)

FRONT: QF-20001 (silver) - QF-20001B (black)
REAR: QR-20001 (silver) - QR-20001B (black)

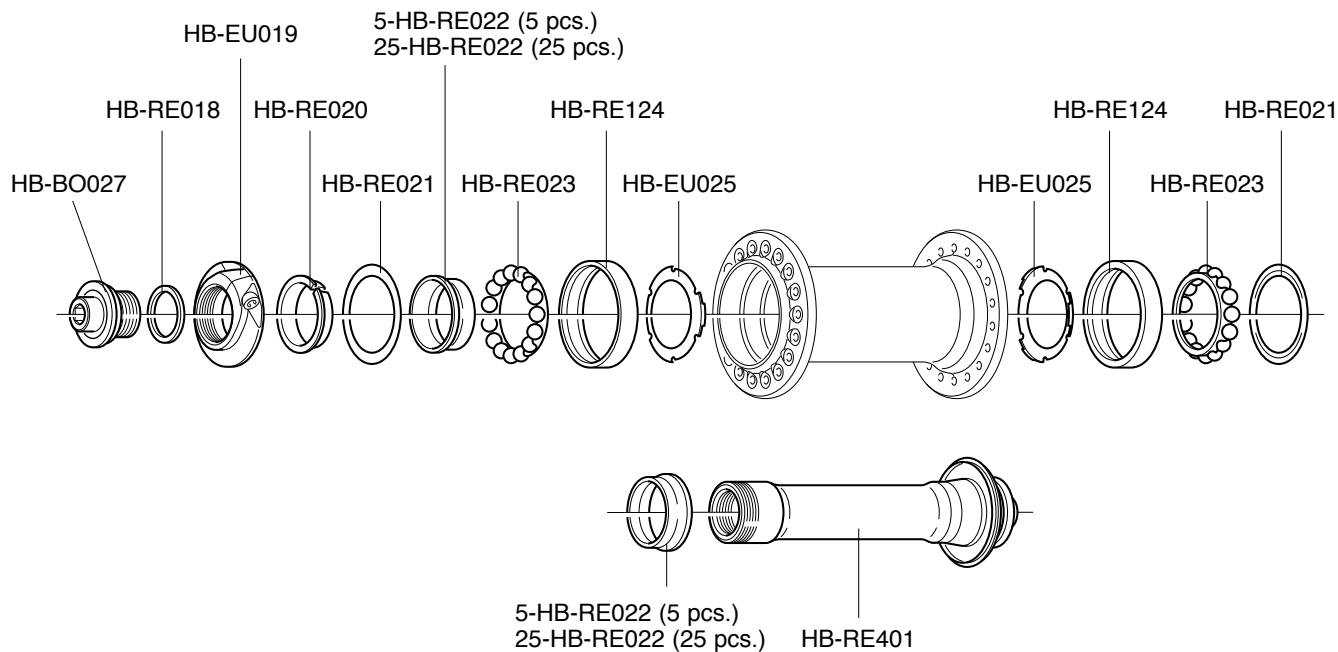


20: QF-20002 (silver) - QF-20002B (black)
30: QF-30002 (silver) - QF-30002B (black)

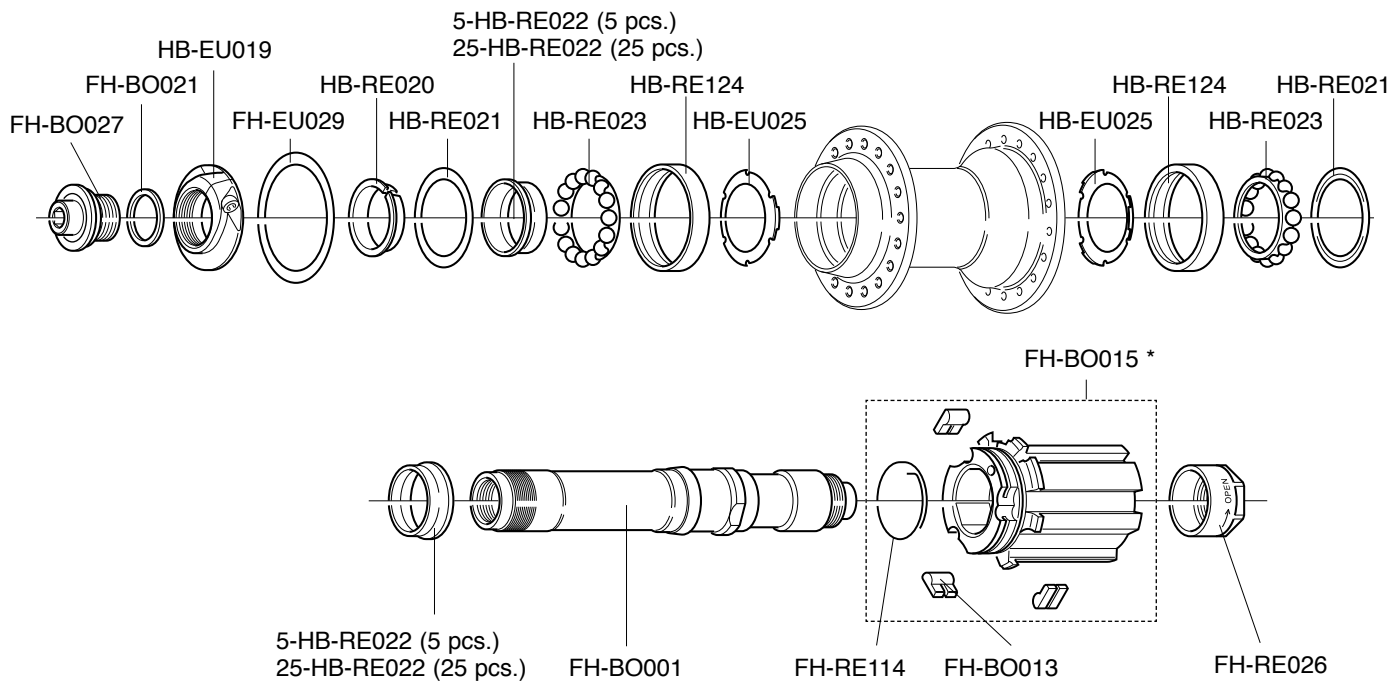


FRONT HUB

RECORD™
HB7-RE..



RECORD™ 9s/10s
FH7-RE..



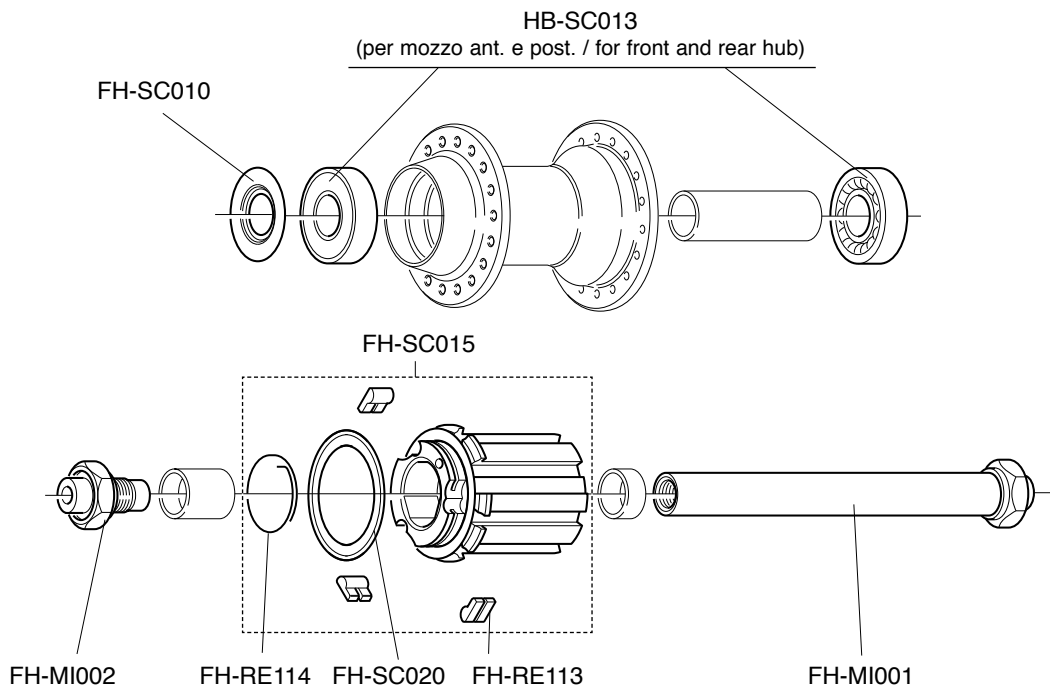
* compatible only with new axle code FH-BO001

CENTAUR™ 9s/10s

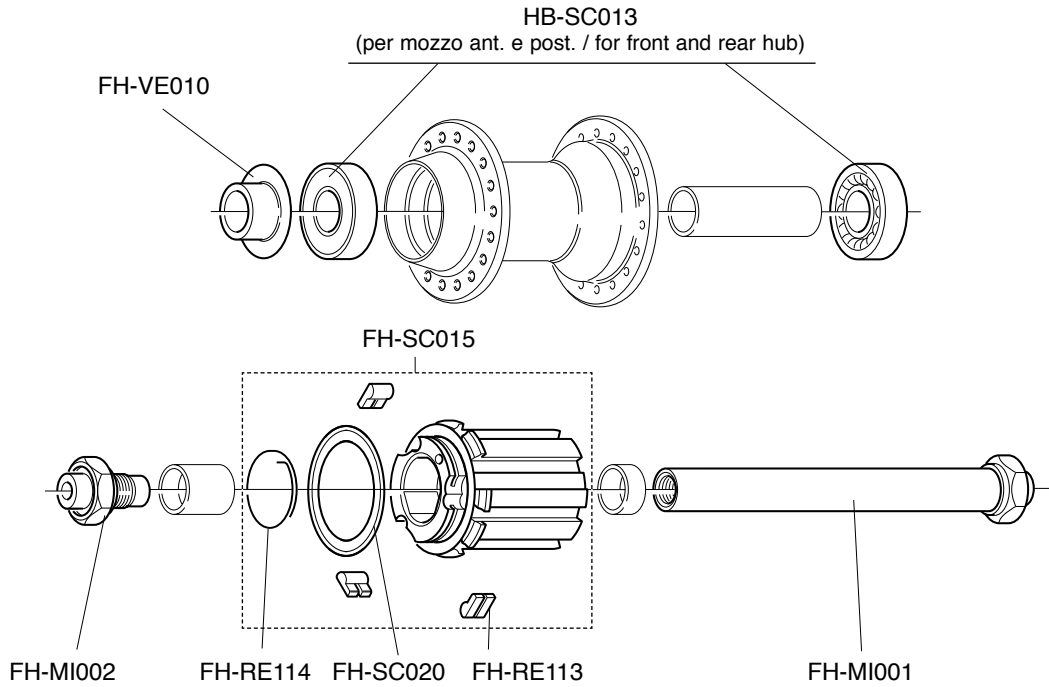
FH7-CE.

VELOCE™ 9s/10s

FH7-VL..

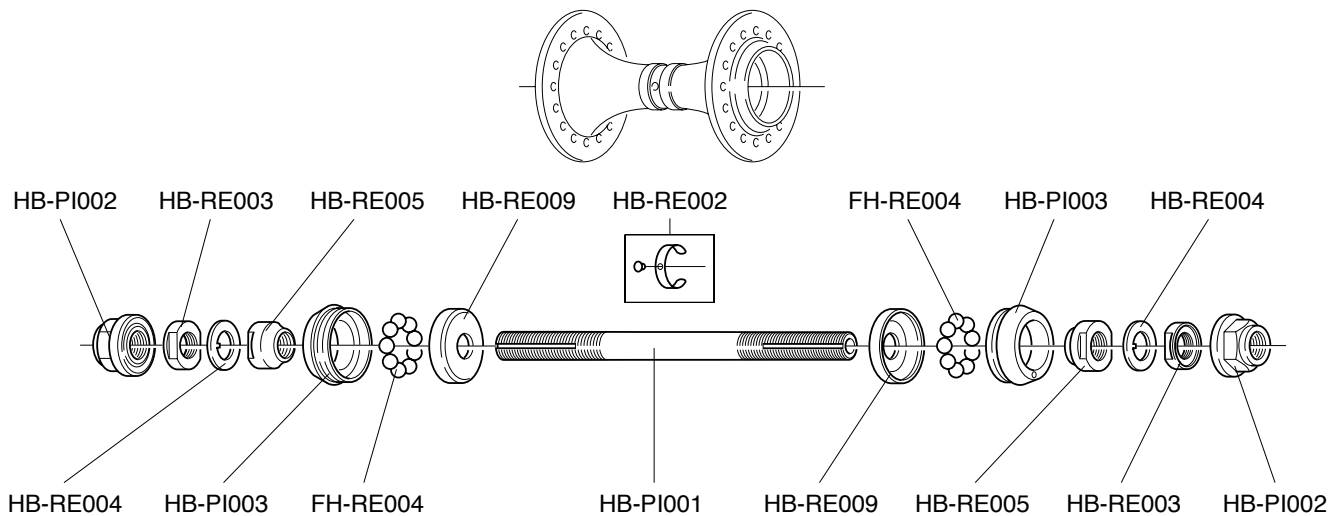


MIRAGE™ 9s/10s
FH7-MI..

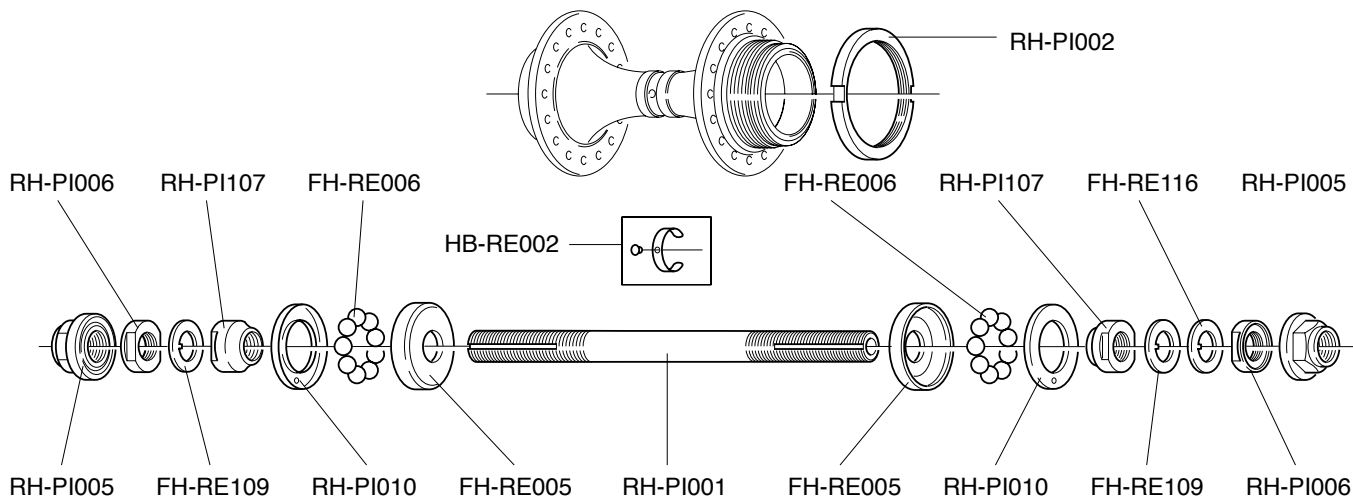


FRONT HUB

RECORD™
PISTA™
HB02-REPI..

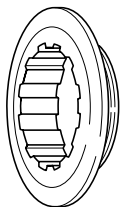


RECORD™
PISTA™
FH02-REPI..



REAR HUB

**ECROUS
VERSCHLUSSRING**



**GHIERE
LOCKRINGS**

CODE CODICE	TYPE TIPO	RANGE GAMMA	HUB COMPATIBILITY COMPATIBILITÀ MOZZI	
CS-401	9s / 10s "oversize" thread/fil.: 27 x 1	steel / acciaio	2000 e succ. 2000 and following	all groups / tutti i gruppi all wheels / tutte le ruote
			1999	RECORD™ - CHORUS™ all wheels / tutte le ruote
CS-501	9s / 10s "oversize" thread/fil.: 27 x 1	steel / acciaio (for Z. 11)	2000 e succ. 2000 and following	all groups / tutti i gruppi all wheels / tutte le ruote
			1999	RECORD™ - CHORUS™ all wheels / tutte le ruote
CS-101T	9s / 10s "oversize" thread/fil.: 27 x 1	titanium / titanio	2000 e succ. 2000 and following	all groups / tutti i gruppi all wheels / tutte le ruote
			1999	RECORD™ - CHORUS™ all wheels / tutte le ruote
CS-201	9s thread/fil.: 26 x 1	steel / acciaio	1999	ATHENA™ - VELOCE™ - MIRAGE™
			1998 / 1997	9s groups / gruppi 9s 9s wheels / ruote 9s
CS-001T	9s thread/fil.: 26 x 1	titanium / titanio	1999	ATHENA - VELOCE™ - MIRAGE™
			1998 / 1997	9s groups / gruppi 9s 9s wheels / ruote 9s '97 8s aluminum FW body / corpetto RL in alluminio 8s '97
CS-001V	8s thread/fil.: 29 x 1	steel / acciaio	1999 e prec. 1999 and previous	all 8s hubs (with steel FW body) tutti i mozzi 8s (con corpetto RL in acciaio)
CS-701	for sprockets/ per pignoni HG 10s thread/fil.: 27 x 1	steel / acciaio	2006	all Campagnolo® wheels with HG 10 type FW body / tutte le ruote Campagnolo® con corpetto RL tipo HG 10
CS-801	for sprockets/ per pignoni HG 10s thread/fil.: 27 x 1	steel / acciaio (for Z. 11)	2006	all Campagnolo® wheels with HG 10 type FW body / tutte le ruote Campagnolo® con corpetto RL tipo HG 10

RECORD™
UD™ 10s
CSK00-RE10..

* pre-assembled

DISTANZIALI / SPACERS

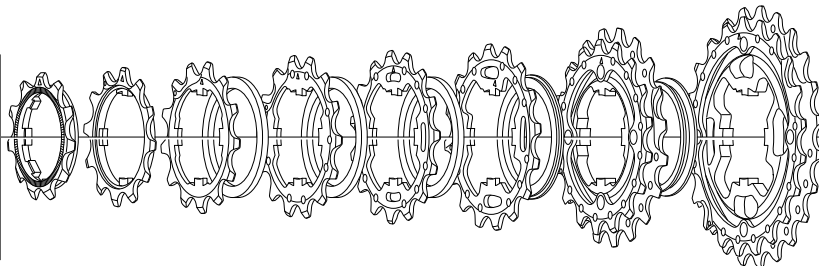
F = CS-601 (2,4 mm)

G = CS-602 (2,55 mm)

H = CS-603 (4,8 mm)

L = CS-605 (3,9 mm)

R = CS-611 (3,1 mm)



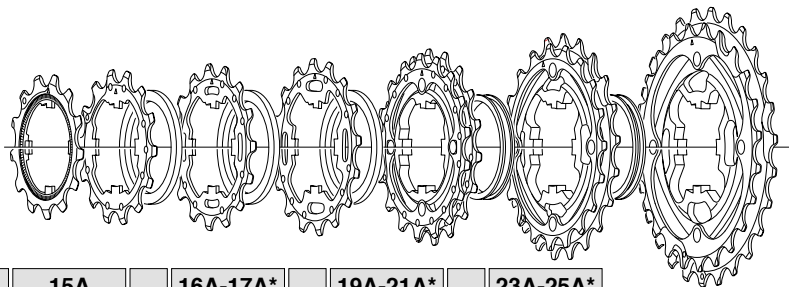
11 - 21	11A-1° 9S-011	12A-2° 10S-022		13A 10S-131	F	14A 10S-141	F	15A 10S-151	F	16A 10S-161	G	17A-18C* 10S-78CT	H	19C-21C* 10S-91CT
11 - 23	11A-1° 9S-011	12A-2° 10S-022		13A 10S-131	F	14A 10S-141	F	15A 10S-151	F	16A 10S-161	G	17A-19A* 10S-79AT	H	21A-23A* 10S-13AT
11 - 25	11A-1° 10S-011	12A-2° 10S-022		13A 10S-131	F	14A 10S-141	F	15A 10S-151	F	17G 10S-177	R	19G-21G* 10S-91GT	L	23G-25G* 10S-35GT
12 - 23	12A-1° 10S-012	13A 10S-131	F	14A 10S-141	F	15A 10S-151	F	16A 10S-161	F	17A 10S-171	G	18A-19A* 10S-89AT	H	21A-23A* 10S-113AT

DISTANZIALI / SPACERS

F = CS-601 (2,4 mm)

I = CS-604 (5 mm)

L = CS-605 (3,9 mm)



12 - 25	12A-1° 10S-012	13A 10S-131	F	14A 10S-141	F	15A 10S-151	F	16A-17A* 10S-67A	I	19A-21A* 10S-91AT	L	23A-25A* 10S-35AT
13 - 26	13A-1° 10S-013	14A 10S-141	F	15A 10S-151	F	16A 10S-161	F	17A-18C* 10S-78C	I	19C-21C* 10S-91CT	L	23C-26C* 10S-36CT
13 - 29	13A-1° 10S-013	14A 10S-141	F	15A 10S-151	F	16A 10S-161	F	17A-19A* 10S-79A	I	21A-23A* 10S-13AT	L	26A-29A* 10S-69AT

RECORD™ UD™
TITANIUM 10s
CSK00-RE10..T

DISTANZIALI / SPACERS

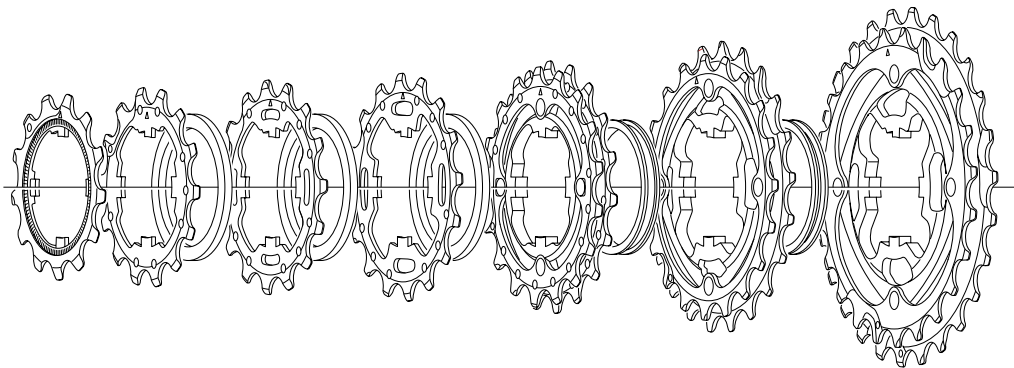
F = CS-601 (2,4 mm)

G = CS-602 (2,55 mm)

H = CS-603 (4,8 mm)

I = CS-604 (5 mm)

L = CS-605 (3,9 mm)



11 - 23	11A-1° 9S-011	12A-2° 10S-022T		13A 10S-131T	F	14A 10S-141T	F	15A 10S-151T	F	16A 10S-161T	G	17A-19A* 10S-79AT	H	21A-23A* 10S-13AT
12 - 25	12A-1° 10S-012T	13A 10S-131T	F	14A 10S-141T	F	15A 10S-151T	F	16A-17A* 10S-67AT	I	19A-21A* 10S-91AT	L	23A-25A* 10S-35AT		
13 - 26	13A-1° 10S-013T	14A 10S-141T	F	15A 10S-151T	F	16A 10S-161T	F	17A-18C* 10S-78CT	I	19C-21C* 10S-91CT	L	23C-26C* 10S-36CT		

* pre-assembled

CHORUS™
UD™ 10s
CSK00-CH10..

DISTANZIALI / SPACERS

F = CS-601 (2,4 mm)

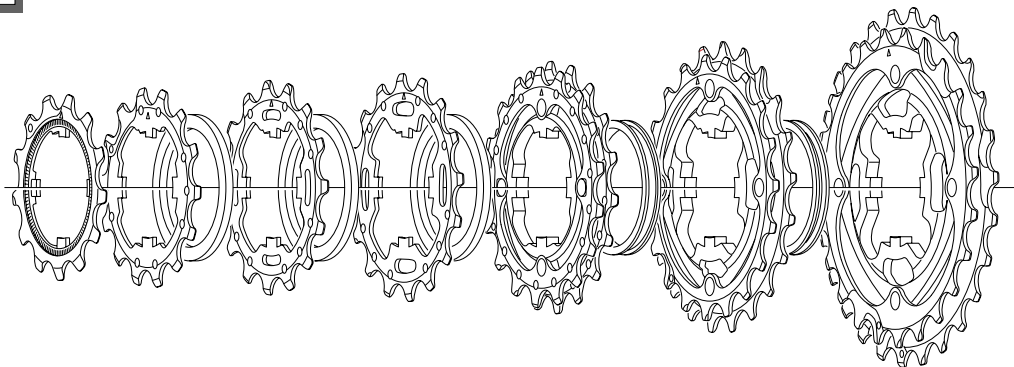
G = CS-602 (2,55 mm)

H = CS-603 (4,8 mm)

I = CS-604 (5 mm)

L = CS-605 (3,9 mm)

R = CS-611 (3,1 mm)



11 - 23	11A-1° 9S-011	12A-2° 10S-022		13A 10S-131	F	14A 10S-141	F	15A 10S-151	F	16A 10S-161	G	17A-19A* 10S-79A	H	21A-23A* 10S-13A
11 - 25	11A-1° 10S-011	12A-2° 10S-022		13A 10S-131	F	14A 10S-141	F	15AA 10S-151	F	17G 10S-177	R	19G-21G* 10S-91G	L	23G-25G* 10S-35G
12 - 25	12A-1° 10S-012	13A 10S-131	F	14A 10S-141	F	15A 10S-151	F	16A-17A* 10S-67A	I	19A-21A* 10S-91A	L	23A-25A* 10S-35A		
13 - 26	13A-1° 10S-013	14A 10S-141	F	15A 10S-151	F	16A 10S-161	F	17A-18C* 10S-78C	I	19C-21C* 10S-91C	L	23C-26C* 10S-36C		
13 - 29	13A-1° 10S-013	14A 10S-141	F	15A 10S-151	F	16A 10S-161	F	17A-19A* 10S-79A	I	21A-23A* 10S-13A	L	26A-29A* 10S-69A		

* pre-assembled

CENTAUR™
UD™ 10s
CS4-CEX..

DISTANZIALI / SPACERS

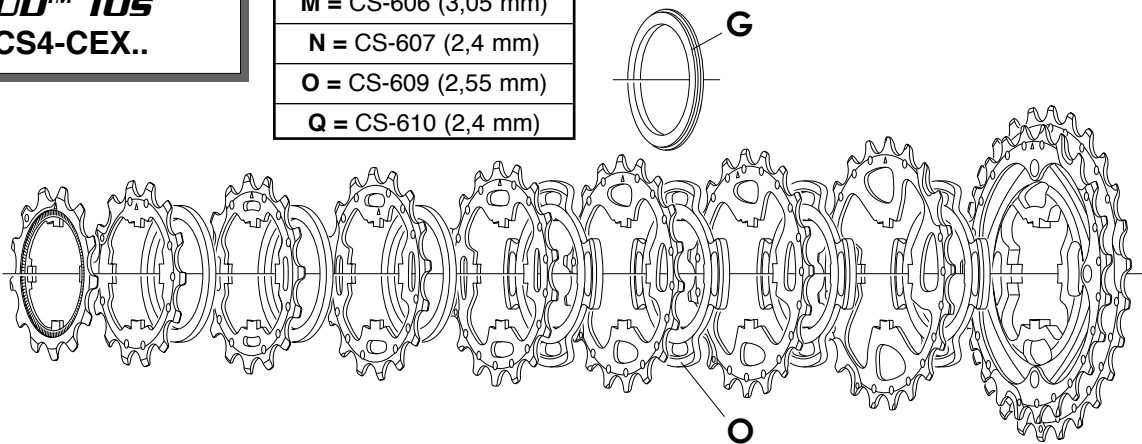
G = CS-602 (2,55 mm)

M = CS-606 (3,05 mm)

N = CS-607 (2,4 mm)

O = CS-609 (2,55 mm)

Q = CS-610 (2,4 mm)



11 -23	11A-1° 9S-011	12A-2° 10S-022		13A 10S-131	Q	14A 10S-141	Q	15A 10S-151	Q	16A 10S-161	G	17A 10S-171	N	19A 10S-191	M	21A-23A* 10S-13A
11 -25	11A-1° 10S-011	12A-2° 10S-022		13A 10S-131	Q	14A 10S-141	Q	15A 10S-151	Q	17G 10S-277	O	19GG 10S-197	N	21G 10S-217	M	23G-25G* 10S-35G
12 - 25	12A-1° 10S-032	13A 10S-131	Q	14A 10S-141	Q	15A 10S-151	Q	16A 10S-161	Q	17A 10S-171	O	19A 10S-191	N	21A 10S-211	M	23A-25A* 10S-35A
13 - 26	13A-1° 10S-023	14A 10S-141	Q	15A 10S-151	Q	16A 10S-161	Q	17A 10S-171	N	18C 10S-183	O	19C 10S-193	N	21C 10S-213	M	23C-26C* 10S-36C
13 - 29	13A-1° 10S-023	14A 10S-141	Q	15A 10S-151	Q	16A 10S-161	Q	17A 10S-171	N	19A 10S-191	O	21A 10S-211	N	23A 10S-231	M	26A-29A* 10S-69A

* pre-assembled

VELOCE™ UD™
10s
CS4-VLX..

DISTANZIALI / SPACERS

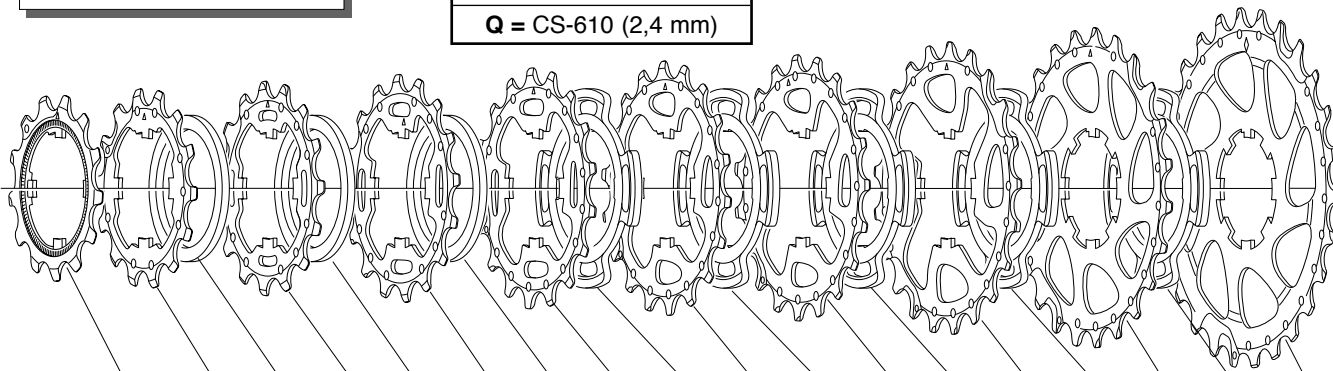
N = CS-607 (2,4 mm)

O = CS-609 (2,55 mm)

P = CS-608 (1,6 mm)

Q = CS-610 (2,4 mm)

MIRAGE UD 10s compatible



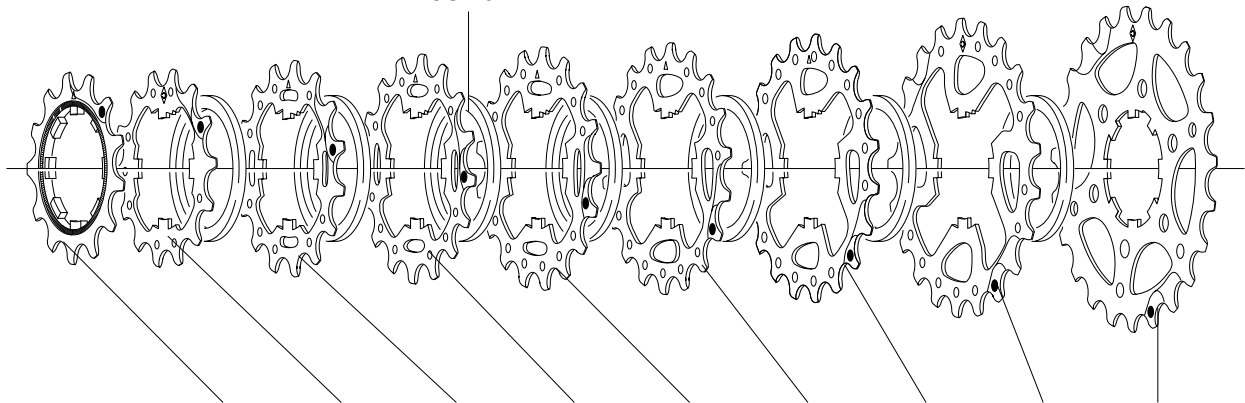
11 - 25	11A-1° 10S-011	12A-2° 10S-022		13A 10S-131	Q	14A 10S-141	Q	15A 10S-151	Q	17G 10S-277	O	19G 10S-197	N	21G 10S-217	N	23G 10S-237	P	25G 10S-237
12 - 23	12A-1° 10S-032	13A 10S-131	Q	14A 10S-141	Q	15A 10S-151	Q	16A 10S-161	N	17A 10S-171	O	18C 10S-183	N	19C 10S-193	N	21C 10S-213	P	23C 10S-233
12 - 25	12A-1° 10S-032	13A 10S-131	Q	14A 10S-141	Q	15A 10S-151	Q	16A 10S-161	N	17A 10S-171	O	19A 10S-191	N	21A 10S-211	N	23A 10S-231	P	25A 10S-251
13 - 26	13A-1° 10S-023	14A 10S-141	Q	15A 10S-151	Q	16A 10S-161	Q	17A 10S-171	N	18C 10S-183	O	19C 10S-193	N	21C 10S-213	N	23C 10S-333	P	26C 10S-263
13 - 29	13A-1° 10S-023	14A 10S-141	Q	15A 10S-151	Q	16A 10S-161	Q	17A 10S-171	N	19A 10S-191	O	21A 10S-211	N	23A 10S-231	N	26A 10S-261	P	29A 10S-291
14 - 23	14A-1° 10S-014	15A 10S-151	Q	16A 10S-161	Q	17A 10S-171	Q	18C 10S-183	N	19C 10S-193	O	20D 10S-204	N	21D 10S-214	N	22D 10S-224	P	23D 10S-234

SPROCKETS

VELOCE™ UD 9s
CS01-EC09..

MIRAGE UD 9s compatible

CS-102



12 - 23	12A-1° 9S-113	13A 9S-131	14A 9S-141	15A 9S-151	16A 9S-161	17A 9S-171	19A 9S-191	21A 9S-211	23A 9S-231
13 - 23	13A-1° 9S-114	14A 9S-141	15A 9S-151	16A 9S-161	17A 9S-171	18C 9S-183	19C 9S-193	21C 9S-213	23C 9S-233
13 - 26	13A-1° 9S-114	14A 9S-141	15A 9S-151	16A 9S-161	17A 9S-171	19A 9S-191	21A 9S-211	23A 9S-231	26A 9S-261
13 - 28	13B-1° 9S-015	14B 9S-142	15B 9S-152	17B 9S-172	19A 9S-191	21A 9S-211	23A 9S-231	25A 9S-251	28A 9S-281
14 - 28	14A-1° 9S-016	15A 9S-151	16A 9S-161	17A 9S-171	19A 9S-191	21A 9S-211	23A 9S-231	25A 9S-251	28A 9S-281

RECORD™
PRO-FIT PLUS™
PD01-RE

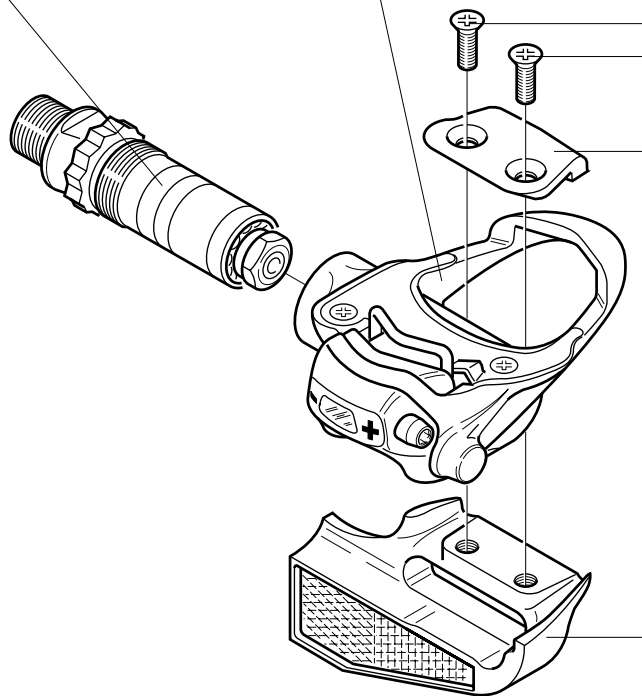
CHORUS™
PRO-FIT PLUS™
PD01-CH

RECORD™	R	PD-RE303
	L	PD-RE304

CHORUS™	R	PD-CH303
	L	PD-CH304

RECORD™	R	PD-RE301
	L	PD-RE302

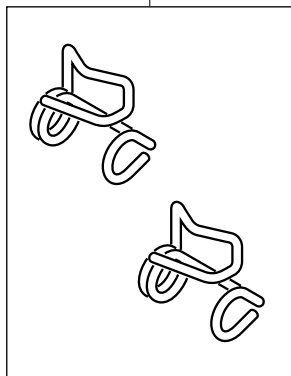
CHORUS™	R	PD-CH301
	L	PD-CH302



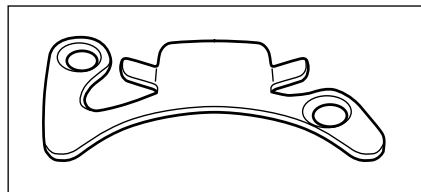
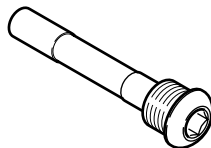
PD-RE108
(2 pcs.)

**PRO-FIT™ /
PRO-FIT PLUS™
SPARE PARTS**

R + L: PD-RE105

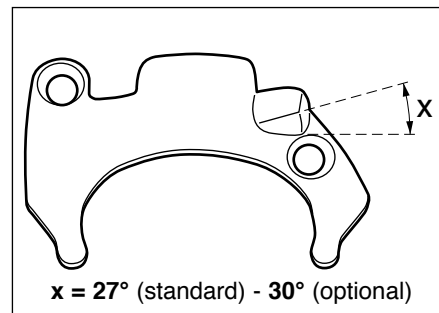
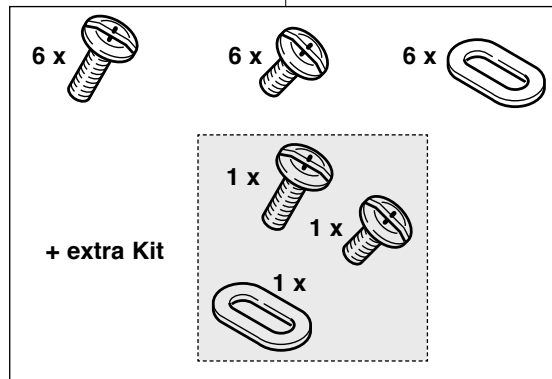


PD-RE107



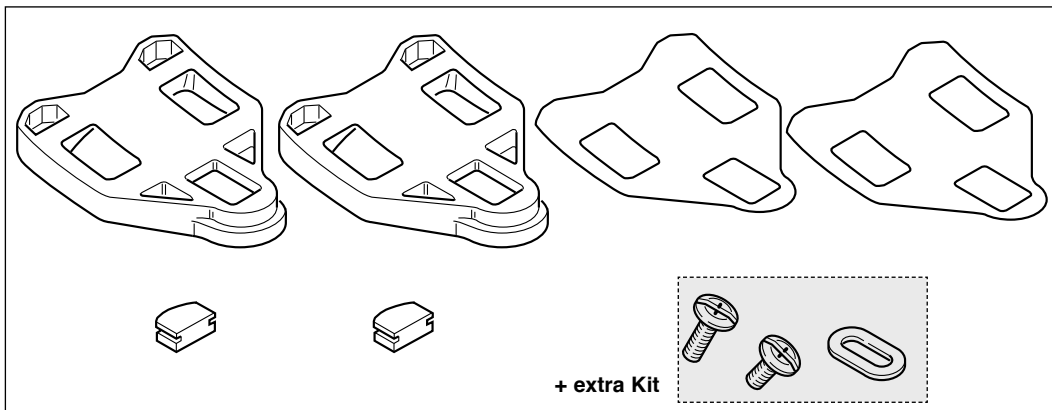
**PRO-FIT™
PD-RE111**

PD-RE116



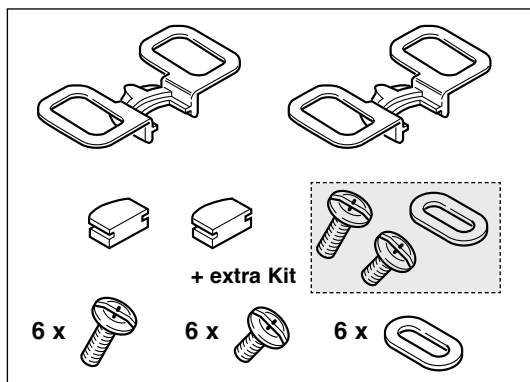
PRO-FIT PLUS™
PD-RE110: standard - 27°
PD-RE109: HRE - optional - 30°

**PRO-FIT™ /
PRO-FIT PLUS™
SPARE PARTS**



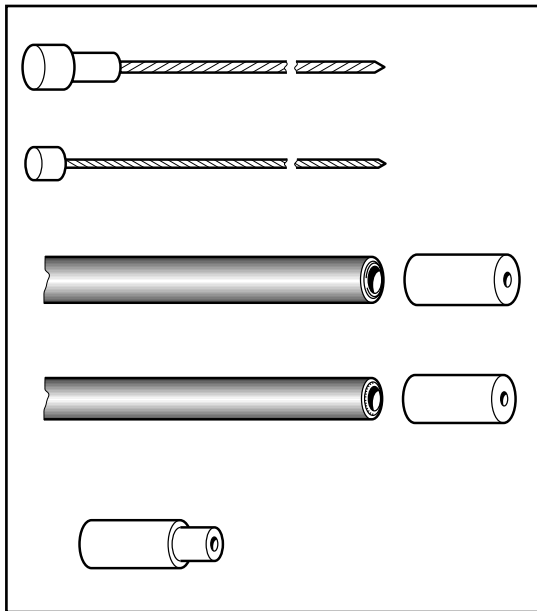
**FLOATING CLEATS
PD-RE020**

**FIXED CLEATS
PD-RE021**



CABLES & CASINGS

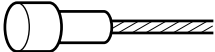




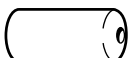

complete sets



<p>ERGOPOWER™ CONTROL LEVERS</p>	<p>CG-ER500 *</p> <p>CG-ER201BP (240 pcs. / pz.)</p>	
<p>TRADITIONAL</p>	<p>Brakes</p>	<p>CG-BR201</p>
	<p>Derailleurs</p>	<p>CG-DD101</p>

* incl. brake housing ferrules / incl. capi guaina

CABLES & CASINGS SPARE PARTS

		FRONT	REAR	
BRAKES		Ø 1,6 mm L. 800 mm CG-CB003	Ø 1,6 mm L. 1600 mm 10-CG-CB013 (10 pcs.) - 50-CG-CB013 (50 pcs.)	
		Ø 5 mm L. 580 mm CG-CS014	Ø 5 mm L. 1250 mm CG-CS002	
		Ø 6 mm CG-CS011 (not sealed / senza guarnizione)		
DERAILLEURS		ERGOPOWER	L. 1600	CG-CB014
		ERGOPOWER	L. 2000	10-CG-CB009 (10 pcs.) - 50-CG-CB009 (50 pcs.)
		SHIFTING LEVERS	L. 830	CG-CB011
		SHIFTING LEVERS	L. 1600	CG-CB014
		ERGOPOWER	L. 680	CG-CS015
		ERGOPOWER	L. 330	CG-CS008
		Ø 5,7 mm CG-CS012 (sealed / con guarnizione)		
		Ø 5,7/4 mm CG-CS013 (sealed / con guarnizione)		

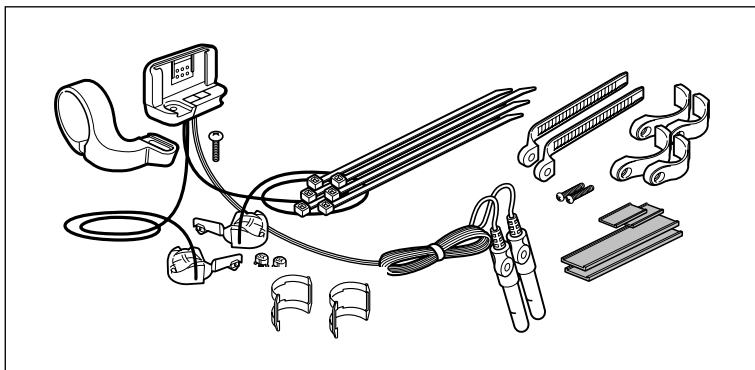
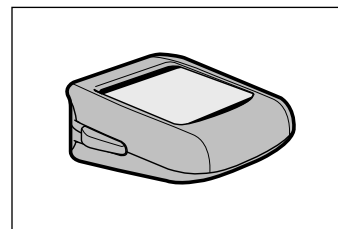
ErgoBrain10™

MAIN UNIT / SOLO COMPUTER

ErgoBrain10™

CI03-EB10C3

(triple compatible)

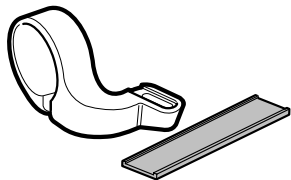


**ASSEMBLY KIT /
KIT D'INSTALLAZIONE**

ErgoBrain10™

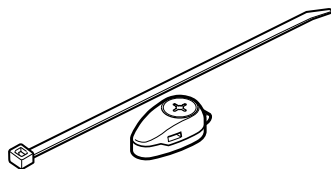
CI00-EB10B2

(for 10s drivetrain / per trasmissione 10s)



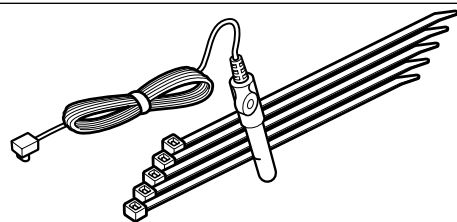
31,7 mm arm / fascetta 31,7 mm

CI-EB001



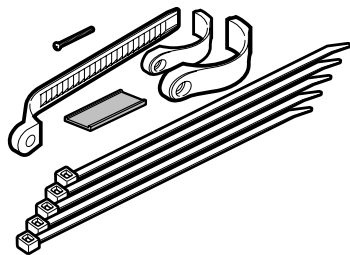
CDC magnet / magnete cadenza

CI-EB003



CDC sensor / sensore cadenza

CI-EB006



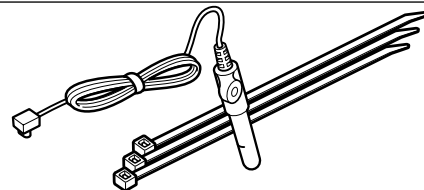
Sensor attachment / fascetta sensori

CI-EB002



CDC PRO-FIT pedal magnet /
magnete cadenza pedale PRO-FIT

CI-EB004



SPD sensor / sensore velocità

CI-EB007



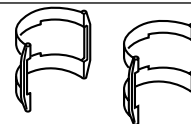
push buttons / copripulsanti

CI-EB009



SPD magnet / magnete velocità

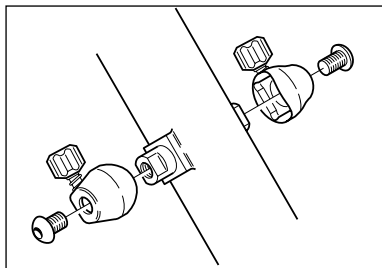
CI-EB008



spacers / distanziali

CI-EB010

**ERGOPOWER™
ERGOPOWER™ FB
CASING RETAINER CLAMPS**



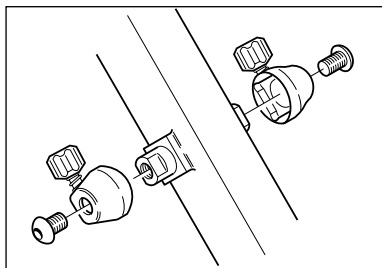
FOR ROUND DOWN TUBE

Aluminum:

EC-RE001 (1 pc) - 25-EC-RE001 (25 pcs)

Resin:

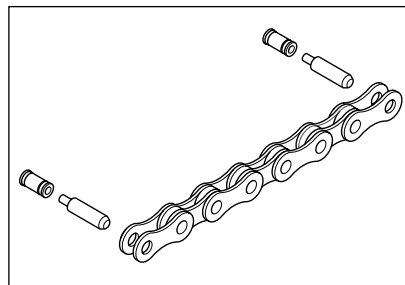
EC-AT001 (1 pc) - 25-EC-AT001 (25 pcs)



FOR FLAT DOWN TUBE

Aluminum:

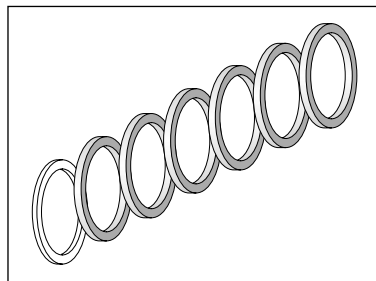
EC-RE002 (1 pc) - 25-EC-RE002 (25 pcs)



CN-RE400

HD-Link™ Ultra Narrow™ (5,9 mm)

for C10™ Ultra Narrow™ chains



KIT-03

Transforms a Veloce™ 9s sprocket set into a 8s cassette.

Only for 9s/10s hub/wheels.

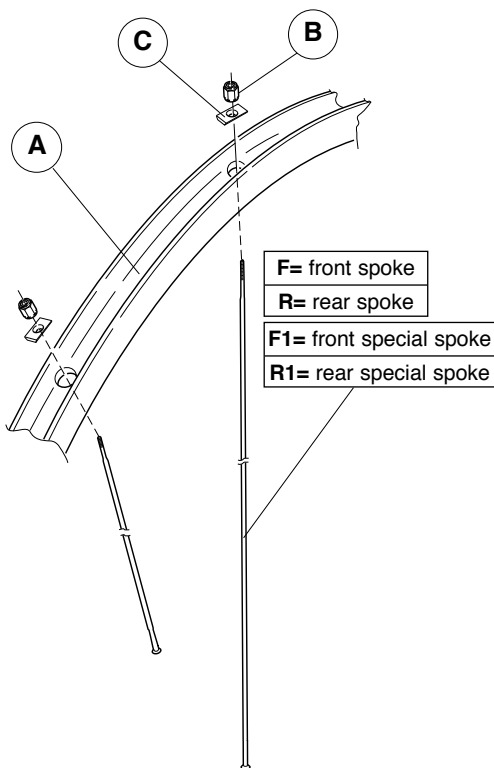


WB-100

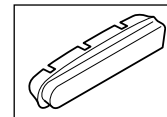
Bag for 1 wheel.

RD-RE700	rotelline cambio 10s (8,4 mm)	10s (8,4 mm) rear derailleur pulleys	jeu de galets dérail. arr. 10s (8,4 mm)
RD-RE600	rotelline cambio 9s (8,8 mm)	9s (8,8 mm) rear derailleur pulleys	jeu de galets dérail. arr. 9s (8,8 mm)
RD-RE500	rotelline cambio 8s (9,8 mm)	8s (9,8 mm) rear derailleur pulleys	jeu de galets dérail. arr. 8s (9,8 mm)
EC-RE600	coprisupporti EP dx + sx "new style"	right + left EP rubber hoods (new style)	repose-main EP droit + gauche "new style"
EC-RE500	coprisupporti EP dx + sx "old style"	right + left EP rubber hoods (old style)	repose-main EP droit + gauche "old style"
EC-CE500	coprisupporti EP ESCAPE™ dx + sx	right + left EP ESCAPE™ rubber hoods	repose-main EP ESCAPE™ droit + gauche
BR-RE701	pattini freno per HYPERON™ e BORA™ tub. per caliper Campagnolo®	brake pads for HYPERON™ and BORA™ 2003 tub. for Campagnolo® caliper brakes	patins de frein HYPERON™ et BORA™ 2003 boyaux pour caliper Campagnolo®
BR-RE702	pattini freno per HYPERON™ copertoncino per freni caliper Campagnolo®	brake pads for HYPERON™ clincher for Campagnolo® caliper brakes	patins de frein HYPERON™ pnéus étroits pour freins caliper Campagnolo®
BR-701X	pattini freno per HYPERON™ e BORA™ tubolare per freni Dura-Ace	brake pads for HYPERON™ and BORA™ 2003 tubular for Dura-Ace brakes	patins de frein HYPERON™ et BORA™ 2003 boyaux pour freins Dura-Ace
BR-702X	pattini freno per HYPERON™ copertoncino per freni Dura-Ace	brake pads for HYPERON™ clincher for Dura-Ace brakes	patins de frein HYPERON™ pnéus étroits pour freins Dura-Ace
BR-RE700	pattini freno per freni caliper	brake pads for caliper brakes	patins de frein pour freins caliper
BR-RE600	pattini freno per freni caliper	brake pads for caliper brakes	patins de frein pour freins caliper
BR-VL500	pattini freno per freni Linear Pull Cantilever	brake pads for Linear Pull Cantilever brakes	patins de frein pour freins Linear Pull Cantilever
BR-VL600	pattini freno compl. per freni caliper	compl. brake pads for caliper brakes	patins de frein compl. pour freins caliper
BR-MI600	pattini freno compl. per freni caliper	compl. brake pads for caliper brakes	patins de frein compl. pour freins caliper
BL-RE500	coprisupporti tradizionali dx + sx (gamma 2000 e prec.)	r + l traditional rubber hoods (2000 range and prev.)	repose-main trad. droit + gauche (gamme 2000 et préc.)
PD-RE020	tacchette pedali (con gioco)	self-aligning pedal cleats	plaques avec jeu pour pédales
PD-RE021	tacchette pedali (senza gioco)	fixed pedal cleats	plaques sans jeu pour pédales
PD-RE200	denti d'aggancio pedali + viti	pedal engaging hooks + screws	dispositifs d'accrochage pédales + vis
PD-RE116	viti fissaggio tacchette pedali	pedal cleats fixing screws	vis fixation plaques pédales
CG-ER500	cavi e guaine EP (con capi-guaina)	EP cables/casings (with brake housing ferrules)	câbles et gaines EP (avec butée de gaines)
CN-RE400	HD-LINK™ per catene C10™ Ultra Narrow™ (5,9 mm)	HD-LINK™ for C10™ Ultra Narrow™ (5,9 mm) chains	HD-LINK™ pour chaîne C10™ Ultra Narrow™ (5,9 mm)

HYPERON™ ULTRA™ clincher



COMPLETE WHEELS	RIM (A)	SPOKE MINI-KIT
FRONT		KIT-400HYU (1F+1F1+1R right+1R1 right+1R left+1R1 left+2C front+2C rear+6B)
WH6-HYCFU clincher 28"	WH-103HYU	
REAR		
WH6-HYCRU WH6-HYCRXU clincher 28"	WH-104HYU	



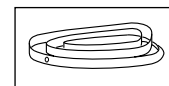
SPECIAL BRAKE PADS: BR-RE702

(Campagnolo® brakes)

BR-702X

(Dura-Ace brakes of Shimano Inc.)

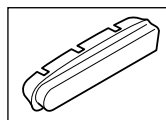
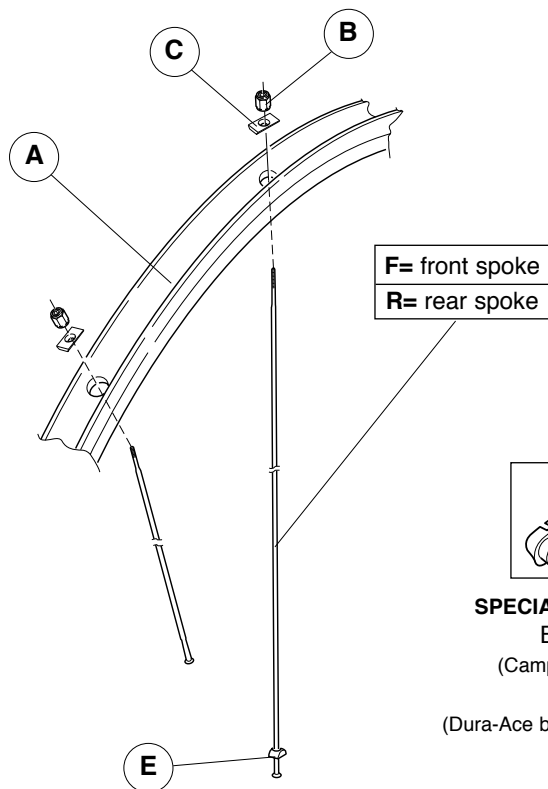
Compl. SPOKE KIT			
FRONT COMPLETE	REAR COMPLETE	REAR RIGHT COMPLETE	
KIT-13HYU (21F+2F1+23C+23B)	KIT-14HYU (12R right+1R1 right+ 12R left+1R1 left+26C+26B)	KIT-14HYUR (12R right+1R1 right+13C+13B)	
SPECIAL SPOKES	F1 + B	R1 right + B	R1 left + B
	L. 292 mm WH-205HYC (1 pc.)	L. 289 mm WH-206HYC (1 pc.)	L. 291 mm WH-207HYC (1 pc.)
B	C front	C rear	
10-WH-010BO (10 pcs.)	10-WH-011HY (10 pcs.)	10-WH-012HY (10 pcs.)	



RIM TAPE 16 mm: WH-RT02

COMPLETE LABEL KIT (front+rear): LAB-HYUC06

**HYPERON™
ULTRA™
tubular**



SPECIAL BRAKE PADS:
BR-RE701
(Campagnolo® brakes)
BR-701X
(Dura-Ace brakes of Shimano Inc.)

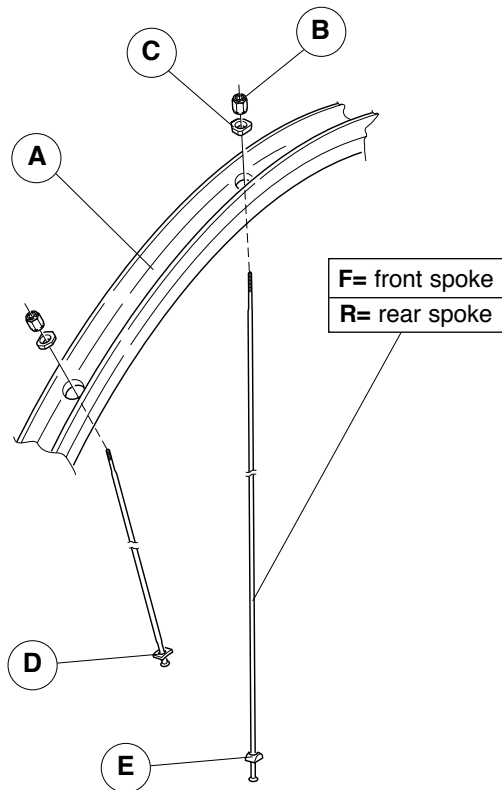
COMPLETE WHEELS	RIM (A)	SPOKE MINI-KIT
FRONT		KIT-100HY (2F+2R right +2R left+6C +6B+2E)
WH6-HYTF tubular 28"	WH-001HY	
REAR		
WH6-HYTR WH6-HYTRX tubular 28"	WH-002HY	

Compl. SPOKE KIT		
FRONT COMPLETE	REAR COMPLETE	REAR RIGHT COMPLETE
KIT-01HY (24F+24C+24B)	KIT-02HY (13R right+13R left+26C+26B+13E)	KIT-02HYR (13R right+ 13C+13B+13E)

B	C
10-WH-010BO (10 pcs.)	10-WH-011HY (10 pcs.)

COMPLETE LABEL KIT (front+rear): LAB-HYT05

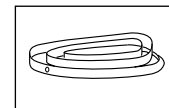
NEUTRON™ clinchier



COMPLETE WHEELS	A	MINI-KIT
FRONT		KIT-300NE (2F+2R right +2R left+6C +6B+4D+2E)
WH7-NECF clinchier 28"	WH-303NE	
REAR		
WH7-NECR WH7-NECRX clinchier 28"	WH-304NE	

Compl. SPOKE KIT		
FRONT COMPLETE	REAR COMPLETE	REAR RIGHT COMPLETE
KIT-23NE (24F+24C+24B+24D)	KIT-24NE (13R right+13R left +26C+26B+13D+13E)	KIT-24NER (13R right+13C+13B+13E)

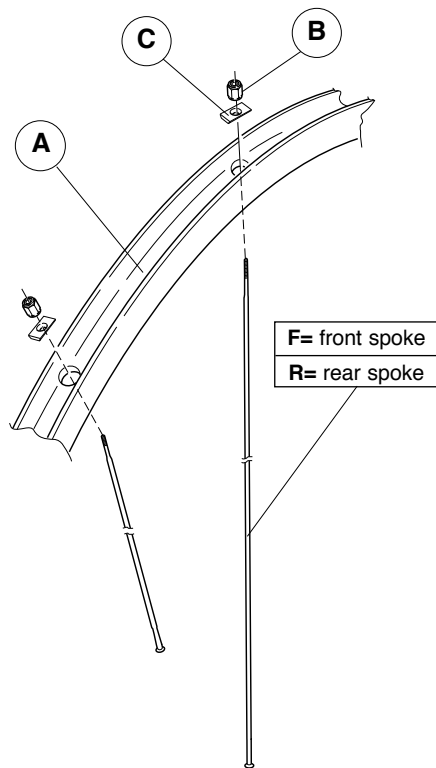
B	C
10-WH-010BO (10 pcs.)	10-WH-011EU (10 pcs.)



RIM TAPE 18 mm:
WH-RT01

COMPLETE LABEL KIT (front+rear): LAB-NEC07

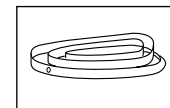
NEUTRON™
ULTRA™
clincher



COMPLETE WHEELS	A	MINI-KIT
FRONT		
WH7-NECFC clincher 28"	WH-403NE	KIT-500NE (2F+2R right +2R left+6C +6B)
REAR		
WH7-NECRC WH7-NECRXC clincher 28"	WH-404NE	

Compl. SPOKE KIT		
FRONT COMPLETE	REAR COMPLETE	REAR RIGHT COMPLETE
KIT-33NE (24F+24C+24B)	KIT-34NE (13R right+13R left +26C+26B)	KIT-34NER (13R right+13C+13B)

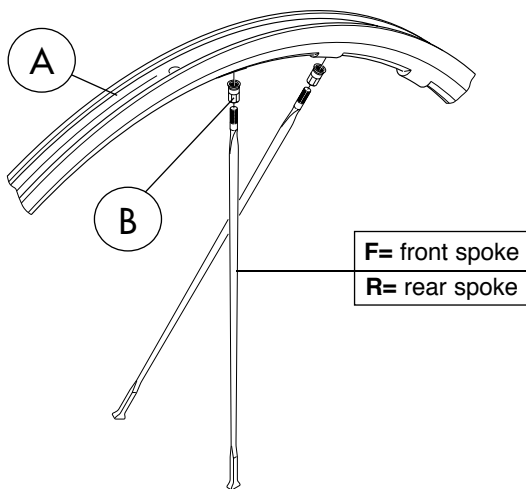
B	C
10-WH-010BO (10 pcs.)	10-WH-011EU (10 pcs.)



RIM TAPE 18 mm:
WH-RT01

COMPLETE LABEL KIT (front+rear): LAB-NECC07

SHAMAL™ ULTRA™ clincher



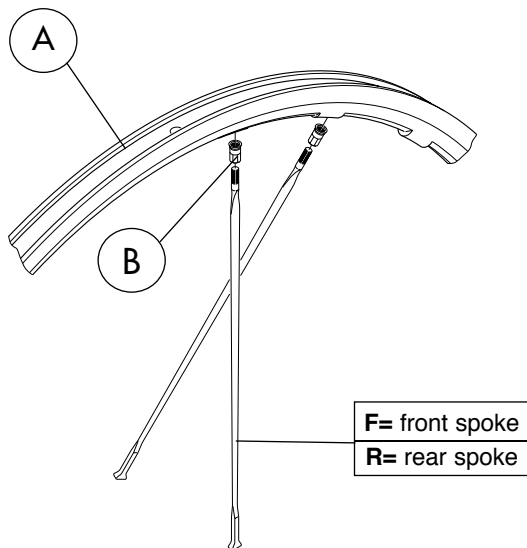
See page 133 for accessories
Vedi pag. 133 per gli accessori

COMPLETE WHEELS	A	Compl. KIT	B
FRONT			
WH7-SHCF clincher 28"	WH-003SH	KIT-03SH (16F)	WH-N10SH (10 pcs.)
REAR			
WH7-SHCR WH7-SHCRX clincher 28"	WH-004SH	KIT-04SH (21R)	

COMPLETE WHEELS	F + B	R right + B	R left + B
WH7-SHCF clincher 28"	L. 278,5 mm WH-005SHC (1F+1B)		
WH7-SHCR WH7-SHCRX clincher 28"		L. 282 mm WH-006SHC (1R right+1B)	L. 275,8 mm WH-007SHC (1R left+1B)

COMPLETE LABEL KIT (front+rear):
LAB-SHC07

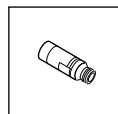
SHAMAL™
ULTRA™
tubular



See page 133 for accessories
Vedi pag. 133 per gli accessori

COMPLETE WHEELS	A	Compl. KIT	B
FRONT			
WH7-SHTF tubular 28"	WH-001SH	KIT-03SH (16F)	WH-N10SH (10 pcs.)
REAR			
WH7-SHTR WH7-SHTRX tubular 28"	WH-002SH	KIT-04SH (21R)	

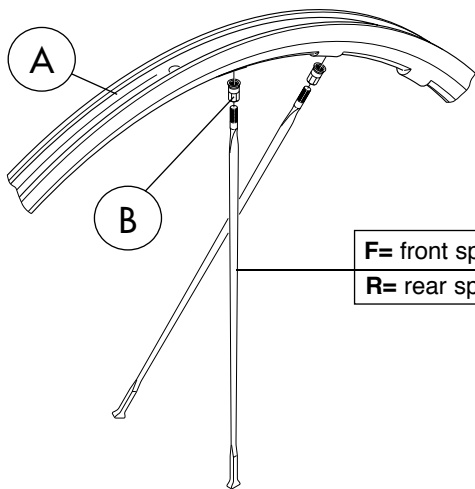
COMPLETE WHEELS	F + B	R right + B	R left + B
WH7-SHTF tubular 28"	L. 278,5 mm WH-005SHC (1F+1B)		
WH7-SHTR WH7-SHTRX tubular 28"		L. 282 mm WH-006SHC (1R right+1B)	L. 275,8 mm WH-007SHC (1R left+1B)



VALVE ADAPTER
PROLUNGA PER VALVOLA
UT-HU110

COMPLETE LABEL KIT (front+rear):
LAB-SHT07

EURUS™
clincher



F= front spoke
R= rear spoke

See page 133 for accessories
Vedi pag. 133 per gli accessori

COMPLETE WHEELS	A	Compl. KIT	B	
FRONT				
WH6-EUCF BLACK	WH-303EU	KIT-33EU (16F)	WH-N10 (10 pcs.)	
WH6-EUCFS SILVER	WH-303EUS	KIT-33EUS (16F)		
REAR				
WH6-EUCR WH6-EUCRX BLACK	WH-304EU	KIT-34EU (21R)		
WH6-EUCRS WH6-EUCRXS SILVER	WH-304EUS	KIT-34EUS (21R)		

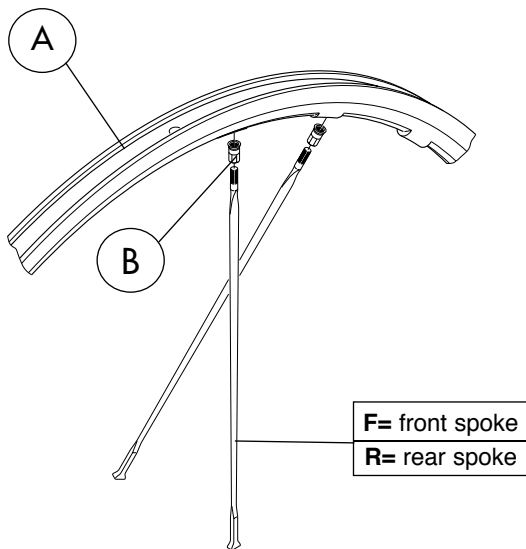
COMPLETE WHEELS	F + B	R right + B	R left + B
WH6-EUCF BLACK	L. 278,5 mm WH-305EUC (1F+1B)		
WH6-EUCFS SILVER	L. 278,5 mm WH-305EUCS (1F+1B)		
WH6-EUCR WH6-EUCRX BLACK		L. 282 mm WH-306EUC (1R right+1B)	L. 276 mm WH-307EUC (1R left+1B)
WH6-EUCRS WH6-EUCRXS SILVER		L. 282 mm WH-306EUCS (1R right+1B)	L. 276 mm WH-307EUCS (1R left+1B)

COMPLETE LABEL KIT (front+rear)

Black: LAB-EUCB06

Silver: LAB-EUCS06

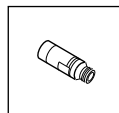
EURUS™
tubular



See page 133 for accessories
Vedi pag. 133 per gli accessori

COMPLETE WHEELS	A	Compl. KIT	B
FRONT			
WH6-EUTF tubular 28"	WH-001EU	KIT-33EUS (16F)	WH-N10 (10 pcs.)
REAR			
WH6-EUTR WH6-EUTRX tubular 28"	WH-002EU	KIT-34EUS (21R)	

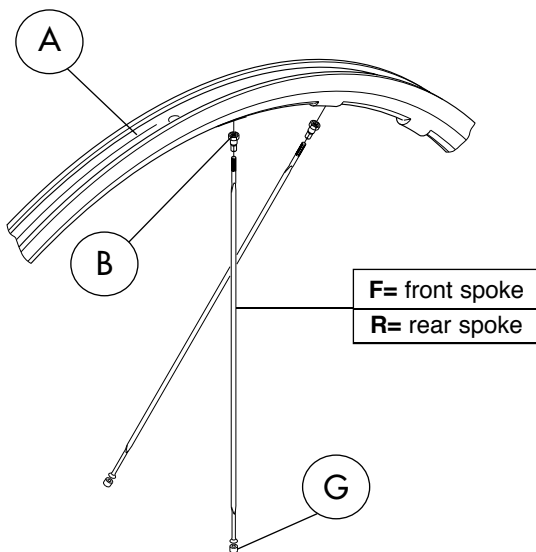
COMPLETE WHEELS	F + B	R right + B	R left + B
WH6-EUTF tubular 28"	L. 278,5 mm WH-305EUCS (1F+1B)		
WH6-EUTR WH6-EUTRX tubular 28"		L. 282 mm WH-306EUCS (1R right+1B)	L. 276 mm WH-307EUCS (1R left+1B)



VALVE ADAPTER
PROLUNGA PER VALVOLA
UT-HU110

COMPLETE LABEL KIT (front+rear):
LAB-EUT06

ZONDA™ clincher



See page 133 for accessories
Vedi pag. 133 per gli accessori

COMPLETE LABEL KIT (front+rear):

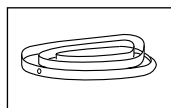
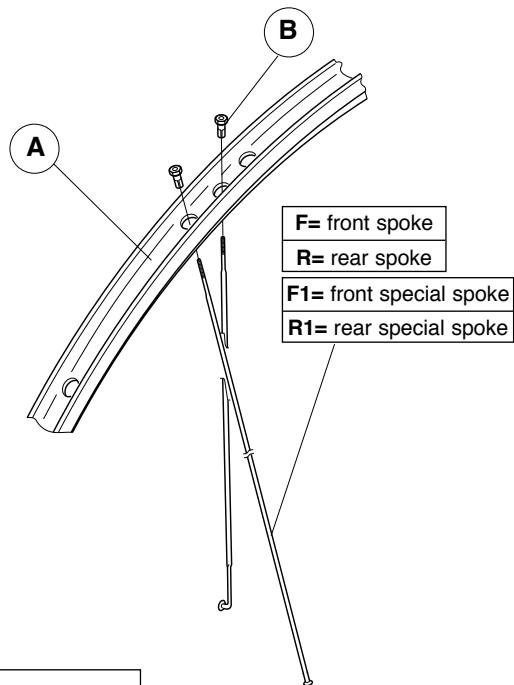
LAB-ZOCB06 (black)
LAB-ZOCS06 (silver)

COMPLETE WHEELS	RIM (A)	SPOKE MINI-KIT
FRONT		
WH6-ZOCF clincher 28"	WH-203ZO	BLACK KIT-400ZO (2F+2R right +2R left+6B+2G)
WH6-ZOCFS clincher 28"	WH-203ZOS	
REAR		
WH6-ZOCR WH6-ZOCRX clincher 28"	WH-204ZO	SILVER KIT-400ZOS (2F+2R right +2R left+6B+2G)
WH6-ZOCRS WH6-ZOCRXS clincher 28"	WH-204ZOS	

Compl. SPOKE KIT

	FRONT COMPLETE	REAR COMPLETE	REAR RIGHT COMPLETE
BLACK	KIT-23ZO (17F+17B+17G)	KIT-24ZO (15R right+8R left+23B+8G)	KIT-24ZOR (15R right+15B)
SILVER	KIT-23ZOS (17F+17B+17G)	KIT-24ZOS (15R right+8R left+23B+8G)	KIT-24ZOSR (15R right+15B)
G	WH-109ZOC (10 pcs.)		

SCIROCCO™
clincher



RIM TAPE 18 mm:
WH-RT01

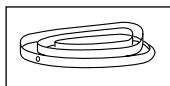
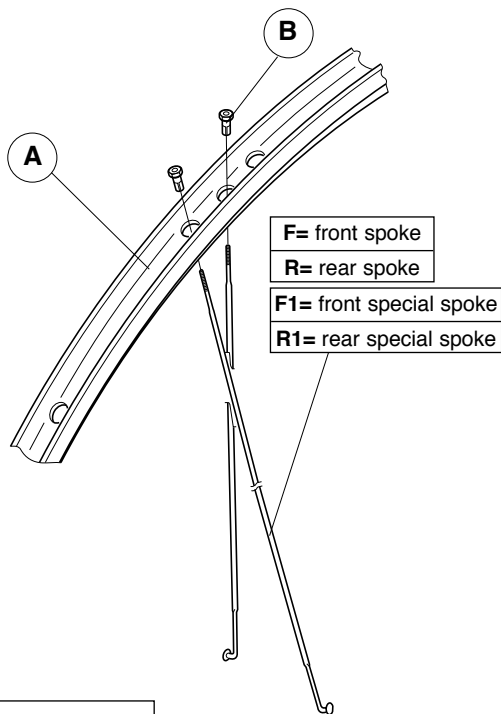
COMPLETE LABEL KIT (front+rear):
LAB-SCC06 (silver) - LAB-SCCB07 (black)

	COMPLETE WHEELS	RIM (A)	SPOKE MINI-KIT
FRONT			
SILVER	WH6-SCCF clincher 28"	WH-103SC	SILVER KIT-600SC (1F+1F1+1R right +1R left+1R1 left+5B)
BLACK	WH7-SCCFB clincher 28"	WH-103SCB	
REAR			
SILVER	WH6-SCCR clincher 28"	WH-104SC	BLACK KIT-600SCB (1F+1F1+1R right +1R left+1R1 left+5B)
BLACK	WH7-SCCRB clincher 28"	WH-104SCB	

Compl. SPOKE KIT			
	FRONT COMPLETE	REAR COMPLETE	REAR RIGHT COMPLETE
SILVER	KIT-33SC (19F+2F1+21B)	KIT-34SC (18R right+10R left+1R1 left+29B)	KIT-34SCR (18R right+18B)
BLACK	KIT-33SCB (19F+2F1+21B)	KIT-34SCB (18R right+10R left+1R1 left+29B)	KIT-34SCBR (18R right+18B)

	F1 + B	R1 left + B
SILVER	L. 281 mm WH-205SCC (1 pc.)	L. 282 mm WH-207SCC (1 pc.)
BLACK	L. 281 mm WH-205SCCB (1 pc.)	L. 282 mm WH-207SCCB (1 pc.)

VENTO™
clincher



RIM TAPE 16 mm:
WH-RT02

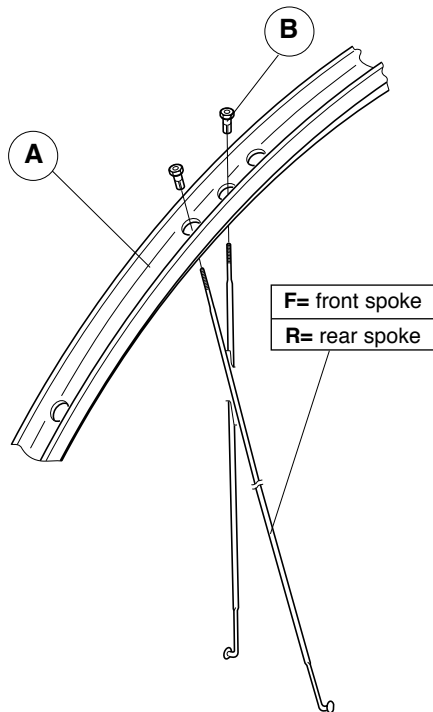
COMPLETE LABEL KIT (front+rear):
LAB-VEC06 (silver) - LAB-VECB07 (black)

	COMPLETE WHEELS	RIM (A)	SPOKE MINI-KIT
FRONT			
SILVER	WH6-VECF clincher 28"	WH-203VE	SILVER KIT-500VE (1F Central+1F Lateral+1F1 +1R right +1R left+1R1 Left+6B)
BLACK	WH7-VECFB clincher 28"	WH-203VEB	
REAR			
SILVER	WH6-VECR clincher 28"	WH-204VE	BLACK KIT-500VEB (1F Central+1F Lateral+1F1 +1R right +1R left+1R1 Left+6B)
BLACK	WH7-VECRB clincher 28"	WH-204VEB	

Compl. SPOKE KIT			
	FRONT COMPLETE	REAR COMPLETE	REAR RIGHT COMPLETE
SILVER	KIT-13VE (19F+2F1+21B)	KIT-14VE (18R right+10R left+1R1 left+29B)	KIT-14VER (18R right+18B)
BLACK	KIT-13VEB (19F+2F1+21B)	KIT-14VEB (18R right+10R left+1R1 left+29B)	KIT-14VEBR (18R right+18B)

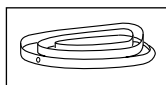
	F1 + B / R1 left + B
SILVER	L. 276 mm WH-305VEC (1 pc.)
BLACK	L. 276 mm WH-305VECB (1 pc.)

KHAMSIN™ clincher



	COMPLETE WHEELS	RIM (A)	SPOKE MINI-KIT
	FRONT		BLACK & GOLD KIT-100KH (2F+1R right +1R left+4B)
BLACK	WH7-KHCFB clincher 28"	WH-003KHB	
GOLD	WH7-KHCFG clincher 28"	WH-003KHG	
	REAR		
BLACK	WH7-KHCFB clincher 28"	WH-004KHB	
GOLD	WH7-KHCFG clincher 28"	WH-004KHG	

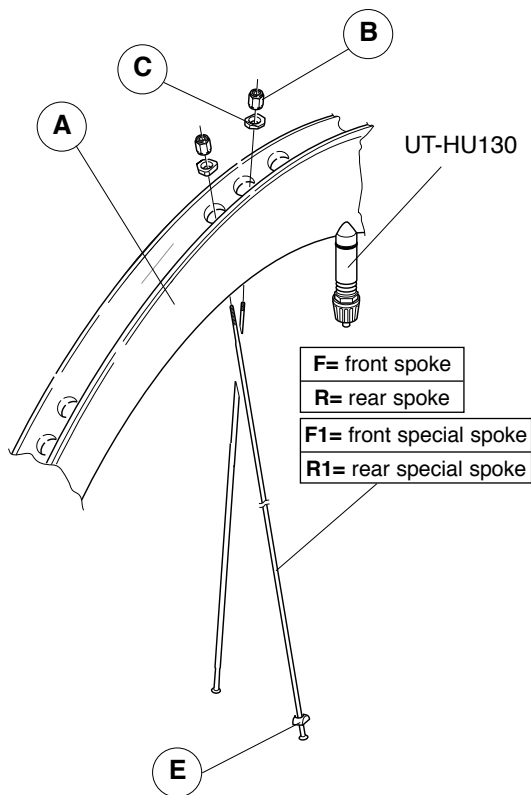
Compl. SPOKE KIT			
	FRONT COMPLETE	REAR COMPLETE	REAR RIGHT COMPLETE
BLACK & GOLD	KIT-03KH (25F+25B)	KIT-04KH (19R right+10R left+29B)	KIT-04KHR (19R right+19B)



RIM TAPE 18 mm:
WH-RT01

COMPLETE LABEL KIT (front+rear):
LAB-KHCB07 (black) - LAB-KHCG07 (gold)

BORA™ ULTRA™ *tubular*

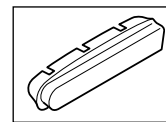


COMPLETE WHEELS	RIM (A)	SPOKE MINI-KIT
FRONT		
WH6-BOTF tubular 28"	WH-501BO	KIT-300BO (1F+1F1+1R right +1R left+1R1 right+5B+5C+2E)
REAR		
WH6-BOTR WH6-BOTRX tubular 28"	WH-402BO	

Compl. SPOKE KIT		
FRONT COMPLETE	REAR COMPLETE	REAR RIGHT COMPLETE
KIT-31BO (17F+2F1+19B+19C)	KIT-32BO (14R right+6R left+2R1 right+22C+22B+16E)	KIT-32BOR (14R right+2R1 right+16C+16B+16E)

SPECIAL SPOKES	F1 + B	R1 right + B
	L. 264 mm WH-205BOT (1 pc.)	L. 268 mm WH-206BOT (1 pc.)

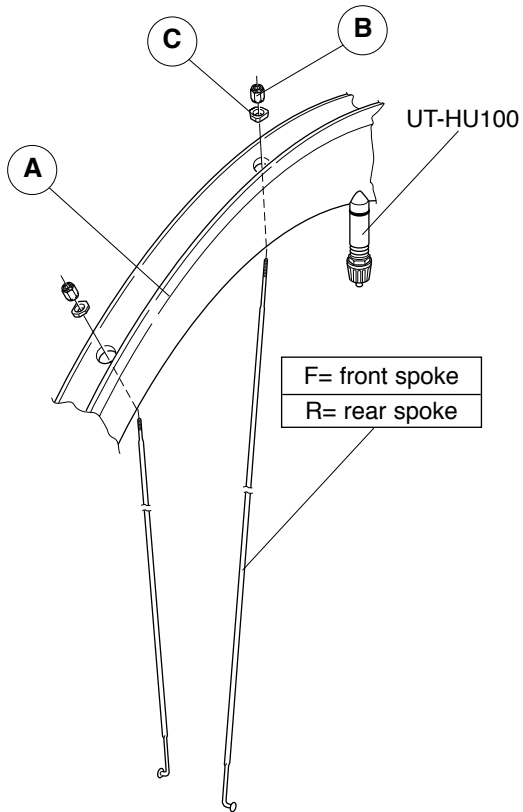
B	C
10-WH-010BO (10 pcs.)	10-WH-011BO (10 pcs.)



SPECIAL BRAKE PADS:
BR-RE701
(Campagnolo® brakes)
BR-701X
(Dura-Ace brakes of Shimano Inc.)

COMPLETE LABEL KIT (front+rear): LAB-BOT06

**PISTA™
tubular**

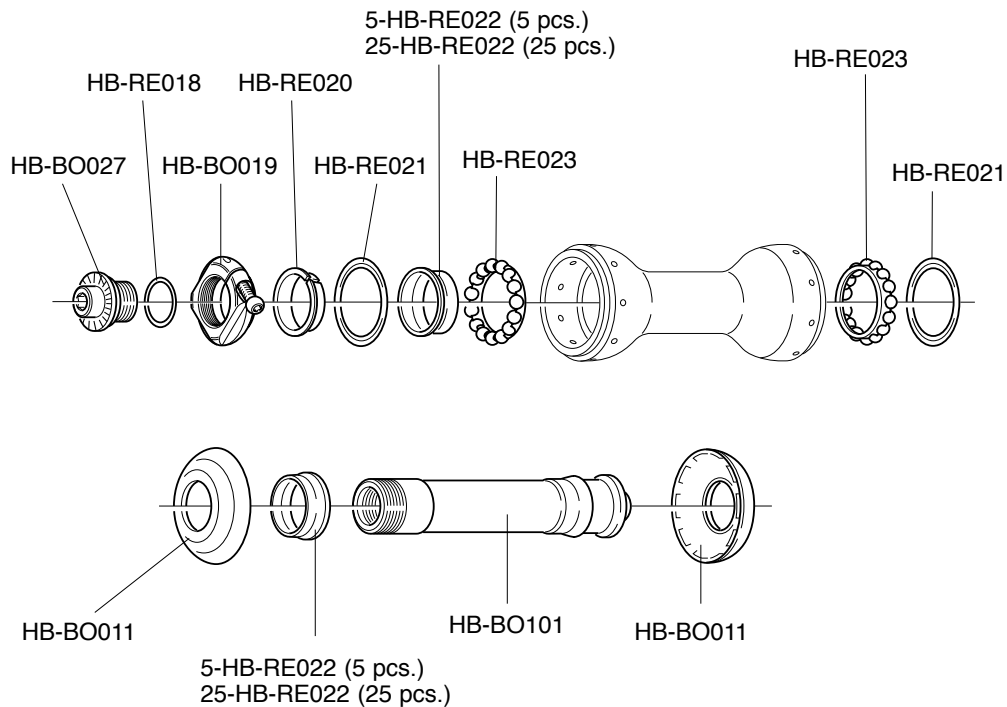


COMPLETE WHEELS	A	Compl. KIT	MINI-KIT
FRONT			
WH02-PTF tubular 28"	WH-001PI	KIT-01PI (22F+22B+22C)	KIT-100PI (3F+3R+6B+6C)
REAR			
WH02-PTR tubular 28"	WH-002PI	KIT-02PI (26R+26B+26C)	

B	C
10-WH-010BO (10 pcs.)	10-WH-011EU (10 pcs.)

**COMPLETE LABEL KIT (front+rear):
LAB-PIT05**

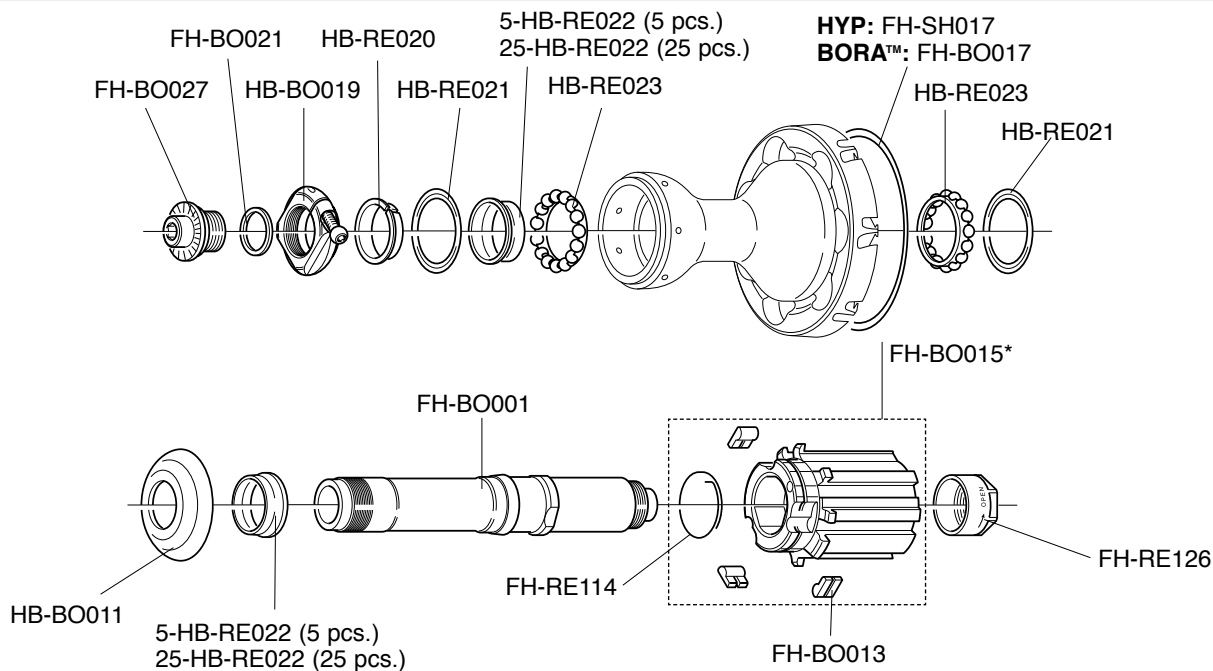
MOZZO ANTERIORE *HYPERON™ ULTRA™ tub. and clincher* / *BORA™ ULTRA™ tub.* FRONT HUB



MOZZO POSTERIORE

HYPERON™ ULTRA™ tub. and clincher / BORA™ ULTRA™ tub.

REAR HUB

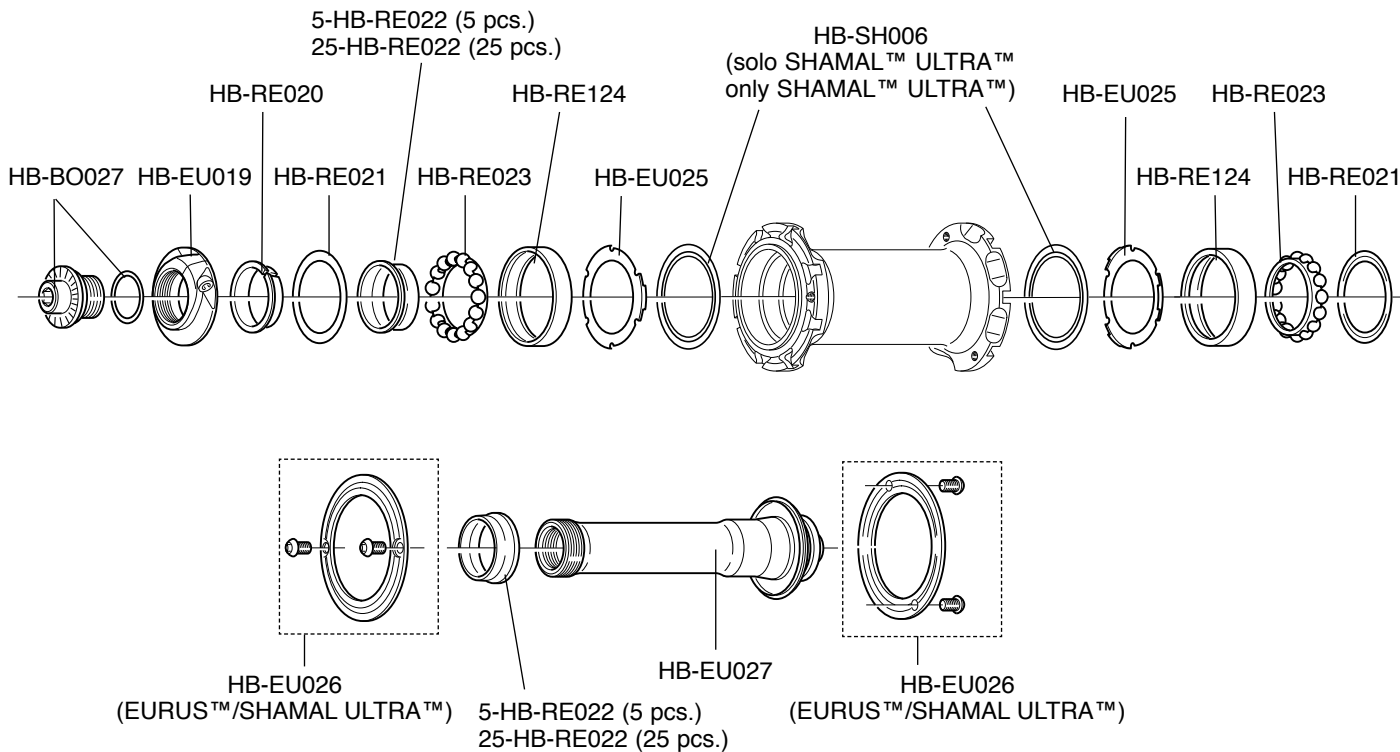


* compatible only with new axle code FH-BO001

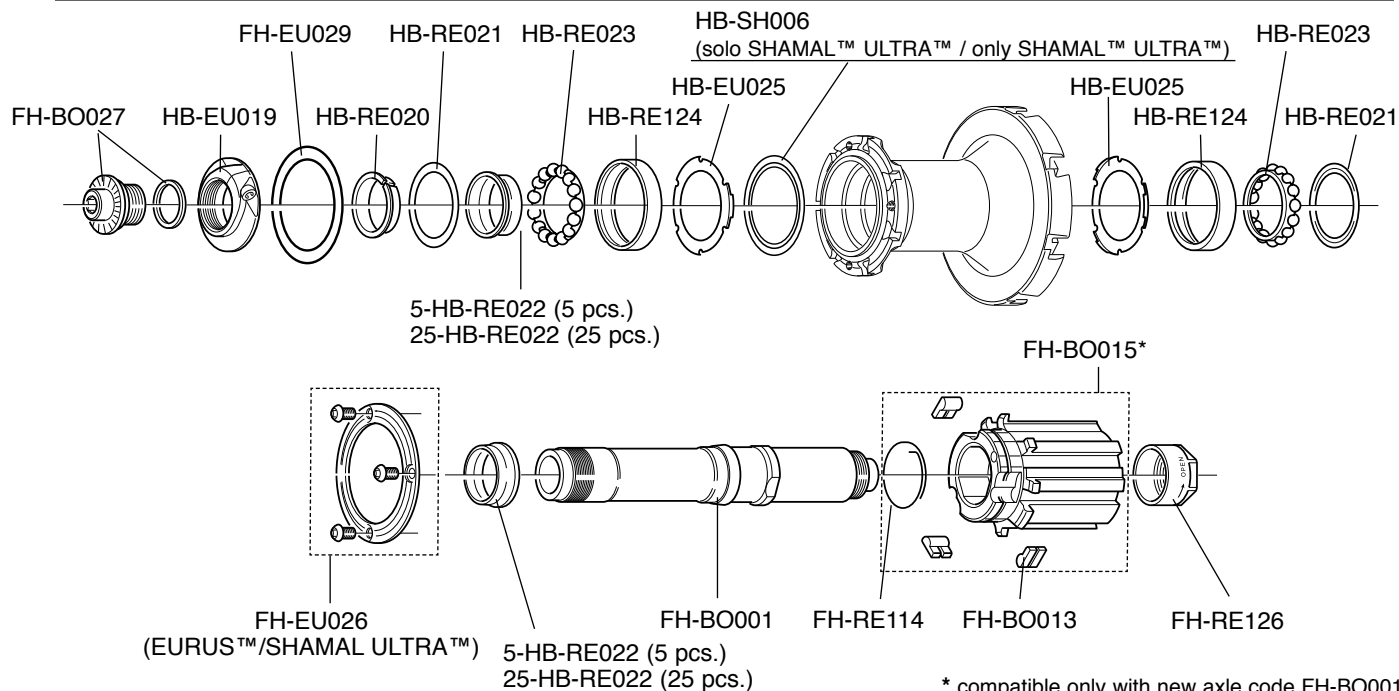
WH-KX10

FW body for 10s sprockets starting from Z11 and Z12 of Shimano Inc.
 (compatible only with new axle code FH-BO001, requires special lockring code CS-701)
corpetto RL per pignoni 10s partenza Z11 e Z12 della Shimano Inc.
 (compatibile solo con nuovo perno cod. FH-BO001, richiede ghiera speciale cod. CS-701)

MOZZO ANTERIORE EURUS™ / ZONDA™ / SHAMAL™ ULTRA™ FRONT HUB



MOZZO POSTERIORE EURUS™ / ZONDA™ / SHAMAL™ ULTRA™ REAR HUB

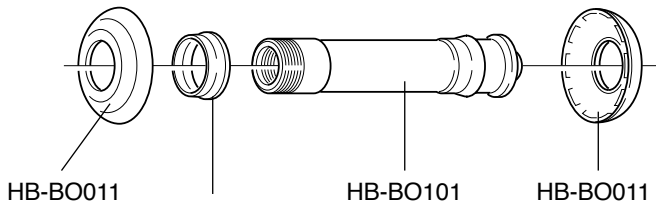
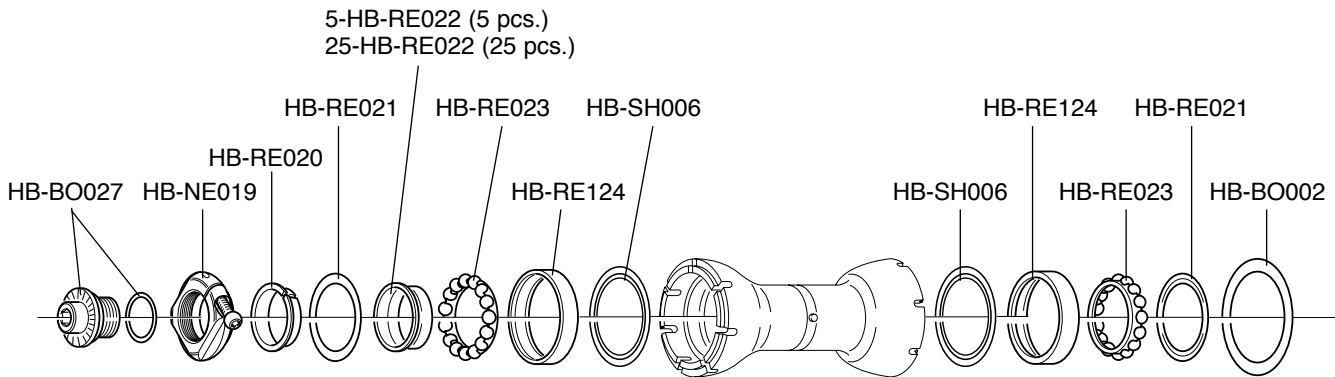


* compatible only with new axle code FH-BO001

WH-KX10

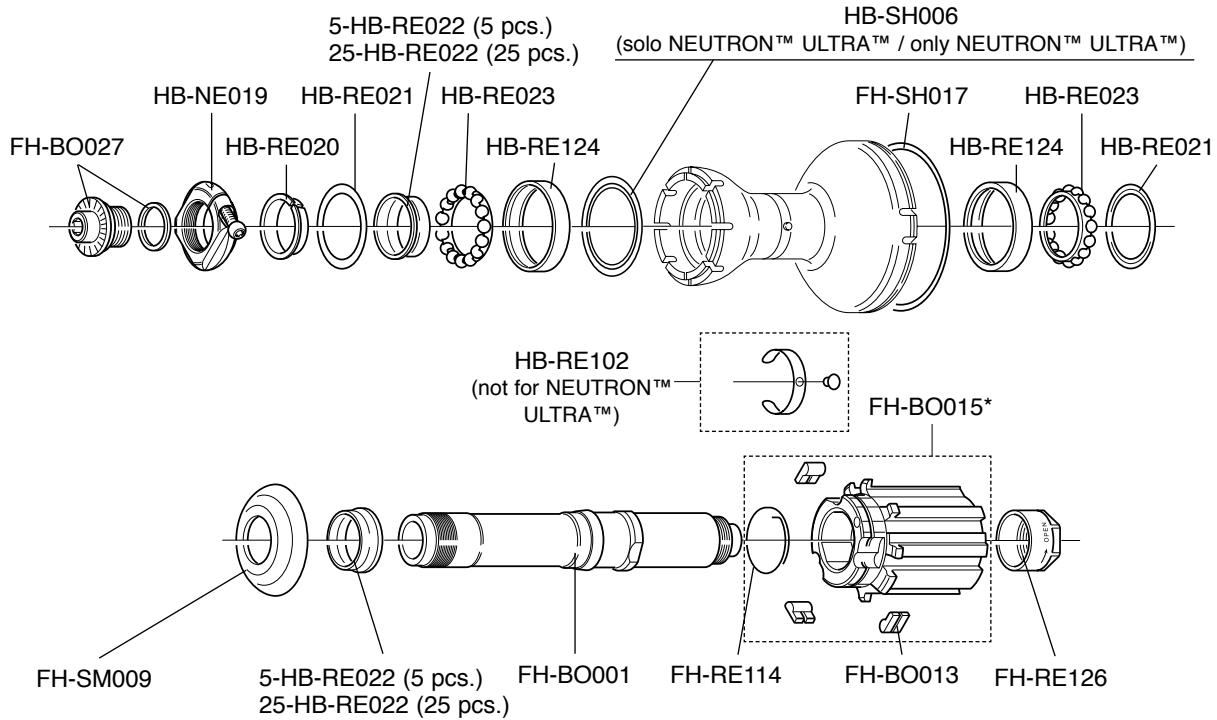
FW body for 10s sprockets starting from Z11 and Z12 of Shimano Inc.
 (compatible only with new axle code FH-BO001, requires special lockring code CS-701)
corpetto RL per pignoni 10s partenza Z11 e Z12 della Shimano Inc.
 (compatibile solo con nuovo perno cod. FH-BO001, richiede ghiera speciale cod. CS-701)

MOZZO ANTERIORE *NEUTRON™ / NEUTRON™ ULTRA™* FRONT HUB



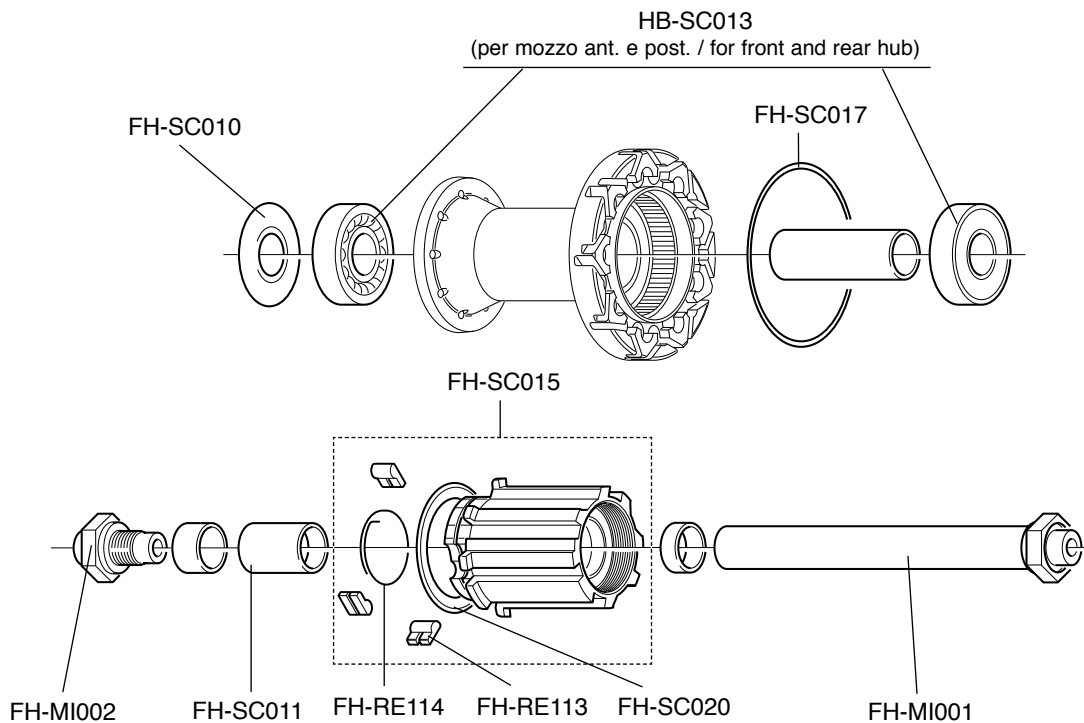
5-HB-RE022 (5 pcs.)
25-HB-RE022 (25 pcs.)

MOZZO POSTERIORE
NEUTRON™ / NEUTRON™ ULTRA™
REAR HUB

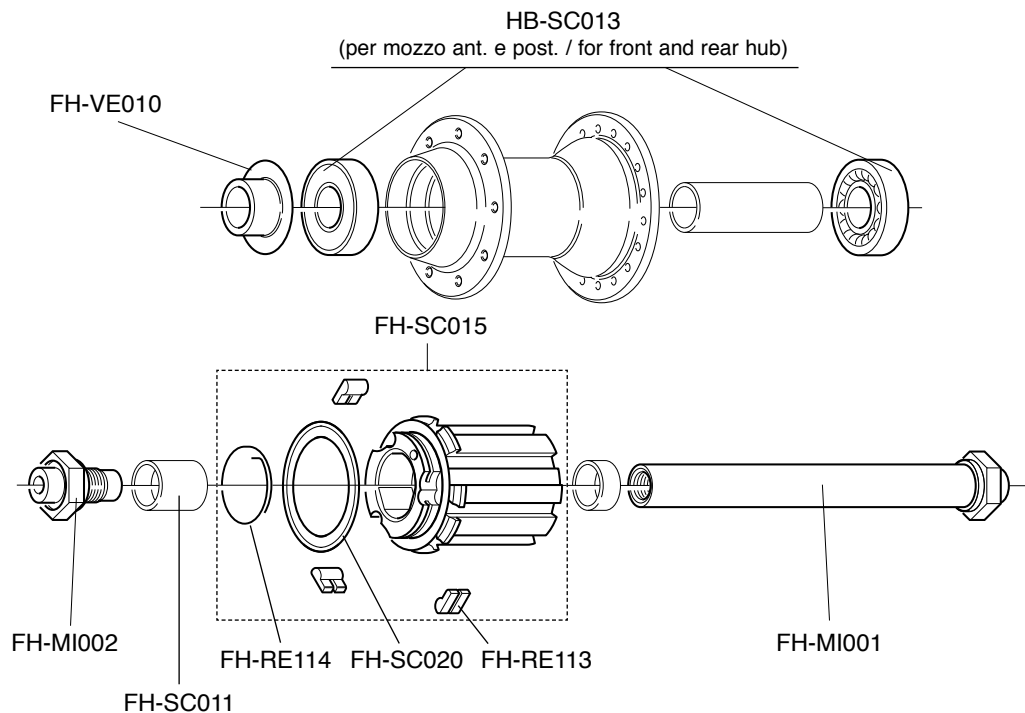


* compatible only with new axle code FH-BO001

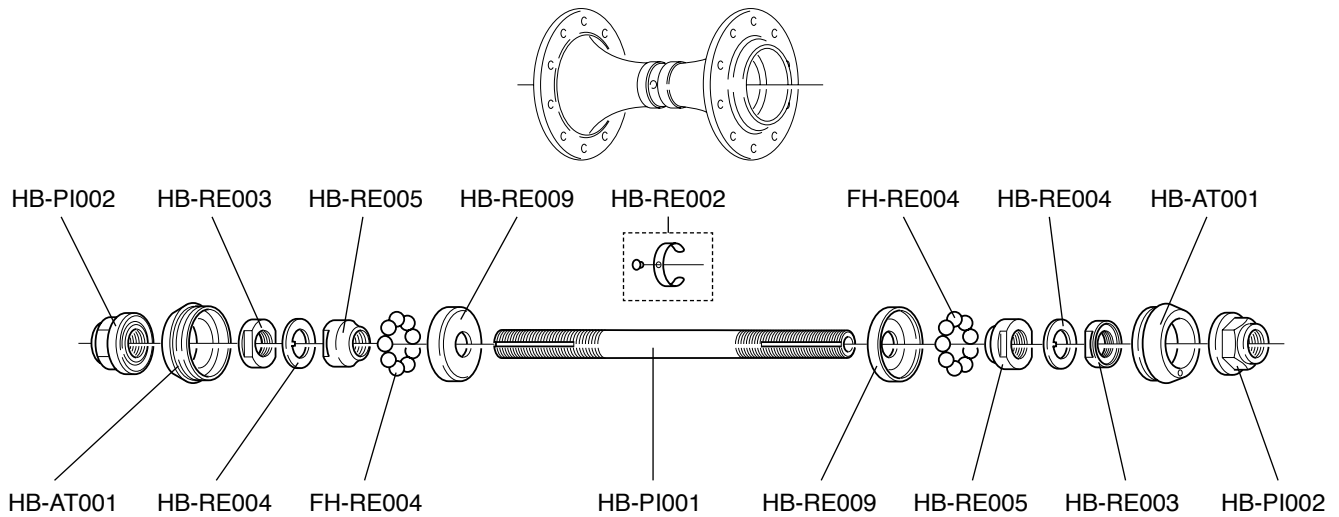
**MOZZO ANTERIORE
e POSTERIORE
SCIROCCO™
FRONT and REAR HUB**



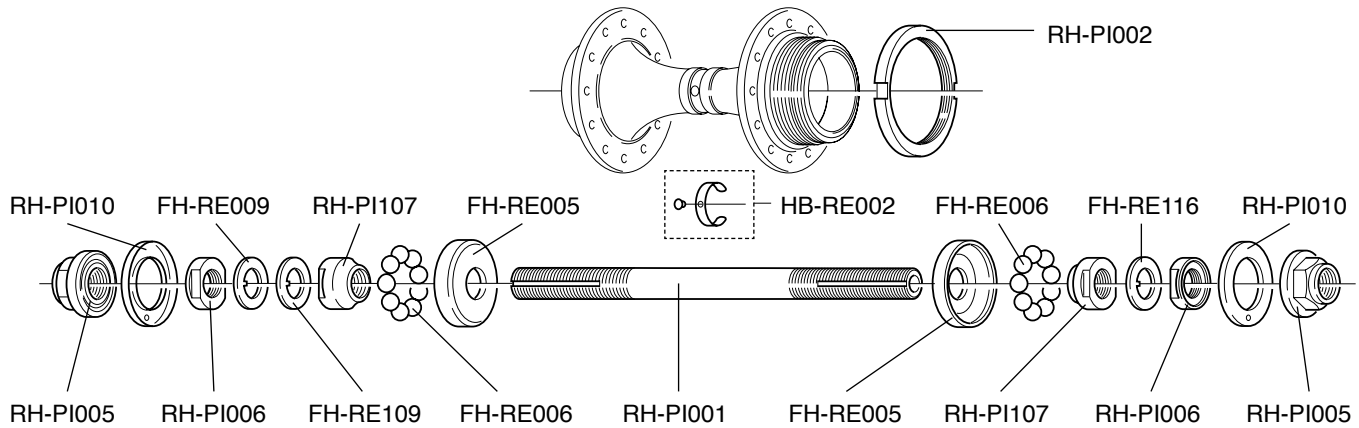
**MOZZO ANTERIORE
e POSTERIORE
VENTO™
KHAM SIN™
FRONT and REAR HUB**



MOZZO ANTERIORE *PISTA™* FRONT HUB



MOZZO POSTERIORE
PISTA™
REAR HUB



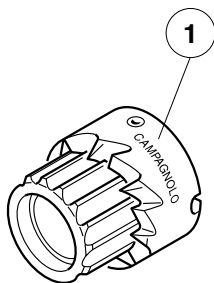
Utensili raccomandati reperibili in commercio

Recommended tools, commercially available

- Cacciavite a croce PH 1 (Phillips)
- Chiave a manico di cacciavite con esagono da 5mm per raggi ruote
- Chiave a brugola da 2,5 mm per registrazione mozzi
- Chiave a brugola da 3 mm per blocchetti fermaguaine
- Chiave a brugola da 5 mm per freni, comandi Ergopower™, ecc.
- Chiave dinamometrica con chiave a brugola da 8 mm per montaggio viti pedivelle
- Chiave fissa da 17 mm per controdado mozzo posteriore
- Chiave a bussola da 24 mm per utensile fissaggio calotte mov. centrale Daytona/Centaur™, Veloce™, Mirage™ (UT-BB100 - pag. 126)
- Maschio M10 x 1 per ripasso occhiello attacco cambio su forcellini
- Chiave TORX per viti fissaggio ingranaggi guarniture RECORD™ e CHORUS™ CARBON (a partire da gamma 2004) e CENTAUR™ CARBON.

-
- Phillips type screwdriver
 - 5 mm nut driver for wheel spokes
 - 2.5 mm allen key, for hub lock nut
 - 3 mm allen key, for downtube adjusters
 - 5 mm for brakes, Ergopower™ control levers, etc.
 - Torque wrench fitted with 8 mm allen key
 - 17 mm hexagonal wrench, for rear hub axle nut
 - 24 mm hexagonal wrench for Daytona/Centaur™, Veloce™, Mirage™ bottom bracket tool (UT-BB100 on page 126)
 - M10 x 1 tap for recutting rear derailleur hanger thread
 - TORX wrench to fix the chainrings of the RECORD™ and CHORUS™ CARBON cranksets (from 2004 range) and CENTAUR™ CARBON cranksets.

HEADSET



Doppia fresa sedi calotte per attrezzo UT-HS090 (Ø 1")

UT-HS093: standard

UT-HS094: con inserti in metallo duro

Double cutter cup seats for tool UT-HS090 (Ø 1")

UT-HS093: standard

UT-HS094: with hard metal inserts

Fraise double pour sièges cuvettes pour outil UT-HS090 (Ø 1")

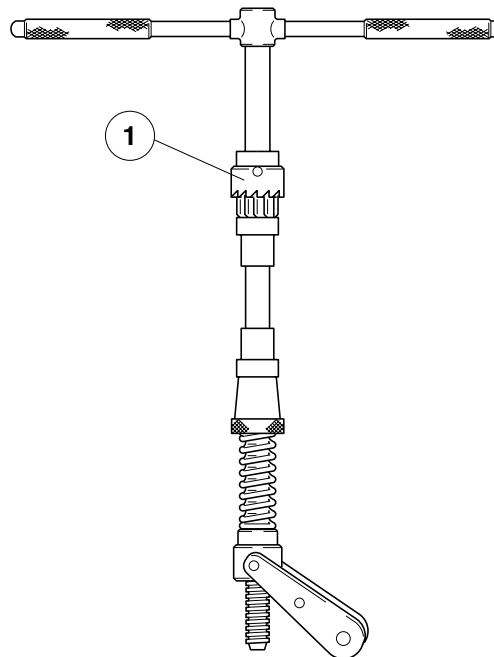
UT-HS093: standard

UT-HS094: avec inserts métal dur

Doppelfräser für Gabelkonus für Werkzeug UT-HS090 (Ø 1")

UT-HS093: Standard

UT-HS094: mit aufgetragenen Hartmetallplättchen



UT-HS090

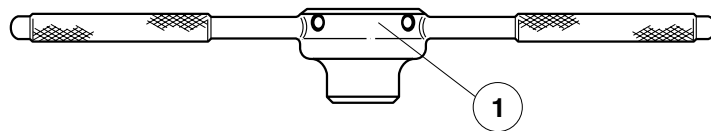
Attrezzo fresatura tubo sterzo, montaggio calotta inferiore e cono superiore serie sterzo 1" - completo di doppia fresa standard (1)

Tool for milling steering tube, for fitting bottom cup and top cone 1" headset - with standard double cutter (1)

Outil pour fraisage tube de direction, montage cuvette inférieure et cône supérieur jeux de directions 1" - avec fraise double standard (1)

Steuersatz-Fräswerkzeug - mit Standard-Doppelfräser (1) - für 1" Steuerschalensitz

HEADSET



UT-HS020

Attrezzo per ripasso filetto forcelle per sterzi 1", con filiera (1)

Tool for recutting fork thread for 1" Headsets, with threader (1)

Outil pour repassage filetage fourche pour jeux de directions 1", avec filière (1)

Werkzeug zum Nachschneiden von Gabelschaftgewinde, mit Gewinde-schneider (1), für Ø 1" Steuersatz

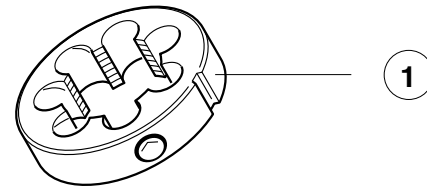
UT-HS021

Filiera per attrezzo ripasso forcella UT-HS020 (1")

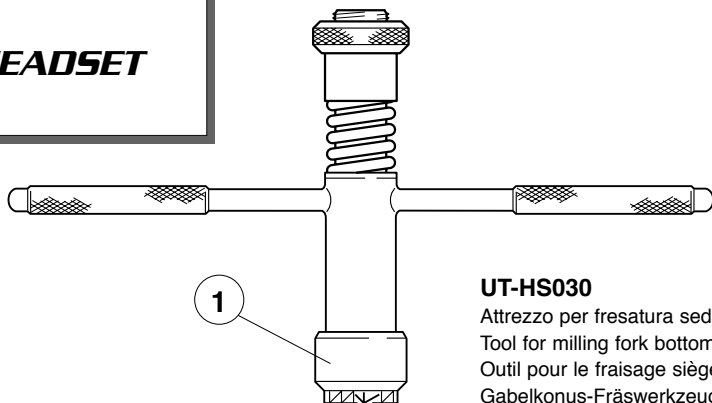
Cutter for recutting fork thread tool UT-HS020 (1")

Filière pour outil repassage fourche UT-HS020 (1")

Gewindeschneider für Werkzeug UT-HS020 (1") zum Nachschneiden für Gabelschaftrohr

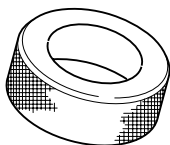


HEADSET



UT-HS030

Attrezzo per fresatura sede cono forcella per serie sterzo 1" con fresa standard (1)
Tool for milling fork bottom cone seat for 1" headsets with standard cutter (1)
Outil pour le fraisage siège cône de fourche pour directions 1" avec fraise standard (1)
Gabelkonus-Fräswerkzeug für 1" Steuersitz mit Standardfräser (1)



UT-HS110

Attrezzo mont. cono forcella, per s. sterzo Hiddenset 1"
Tool for installing fork cone, for Ø 1" Hiddenset headset
Outil pour montage cône de fourche, pour jeux de directions Hiddenset 1"
Werkzeug zur Montage von Gabelkonus, für Ø 1" Hiddenset Steuersatz

UT-HS120

Attrezzo mont. cono forcella, per s. sterzo Hiddenset 1-1/8"
Tool for installing fork cone, for Ø 1-1/8" Hiddenset headset
Outil pour montage cône de fourche, pour jeux de directions Hiddenset 1-1/8"
Werkzeug zur Montage von Gabelkonus, für Ø 1-1/8" Hiddenset Steuersatz

Fresa per attrezzo UT-HS030 Ø 1"

UT-HS031: standard

UT-HS032: con inserti in metallo duro

Cutter for tool UT-HS030 Ø 1"

UT-HS031: standard

UT-HS032: with hard metal inserts

Fraise pour outil UT-HS030 Ø 1"

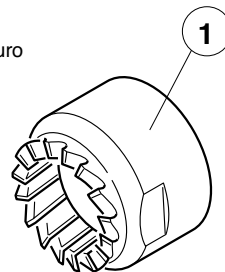
UT-HS031: standard

UT-HS032: avec inserts métal dur

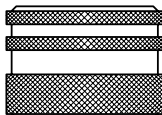
Ø 1" Fräser für UT-HS030 Werkzeug

UT-HS031: Standard

UT-HS032: mit aufgetragenen Hartmetallplättchen

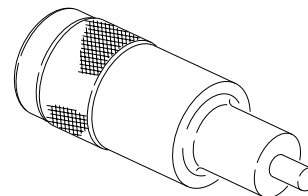


HEADSET



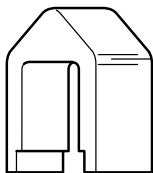
UT-HS080

Calibro controllo sede cono forcelle Ø 26,4 mm
 Gauge for checking fork cone seat 26,4 mm Ø
 Calibre de contrôle siège cône de fourche Ø 26,4 mm
 Kontrolllehre für Gabelkonussitz Ø 26,4 mm



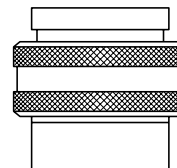
UT-HS100

Attrezzo montaggio serie sterzo Ø 1" per canotto non filettato
 Tool for installing Ø 1" headset for unthreaded steerers
 Outil pour montage jeu de direction Ø 1" pour tube de fourche non fileté
 Werkzeug zur Ø 1" Steuersatzmontage für gewindelosen Gabelschaft



UT-HS060

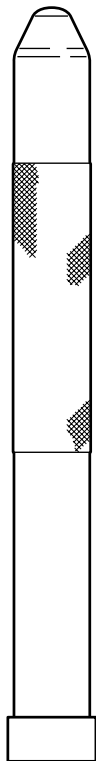
Estrattore cono forcella serie sterzo
 Headset crown race remover
 Extracteur cône de fourche pour jeux de directions
 Abschläger für Gabelkonus für Steuersatz



UT-HS070

Calibro controllo sedi coni e calotte sterzi 1"
 Gauge for checking cone and cup seats 1" headsets
 Calibre de contrôle sièges cônes et cuvettes jeux de directions 1"
 Kontrolllehre für Gabelkonus und 1" Steuerschalensitz

HEADSET



UT-HS040

Punzone per montaggio cono forcella, per serie sterzo Ø 1"

Punch for installing fork cone, for Ø 1" headset

Outil pour montage cône de fourche, pour jeux de directions Ø 1"

Aufschläger für Montage von Gabelkonus, für Ø 1" Steuersatz

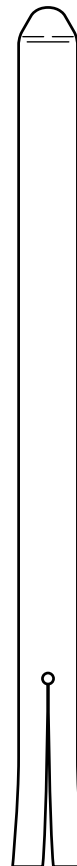
UT-HS050

Estrattore calotta inferiore e cono superiore, per serie sterzo Ø 1"

Extractor for lower headset cup and race, for Ø 1" headset

Extracteur cuvette inférieure et cône supérieur, pour jeux de directions Ø 1"

Austreiber für oberen Konus und untere Lagerschale, für Ø 1" Steuersatz



BOTTOM BRACKET

UT-BB045

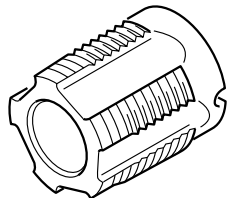
Maschio filetto italiano (1 pz.)
Tap for Italian thread (1pc.)
Taraud filetage italien (1 pc.)
ITA Gewindeschneider (1 St.)

UT-BB046

Maschio filetto inglese destro (1 pz.)
Tap for English thread right-hand (1pc.)
Taraud filetage anglais droit (1 pc.)
BSA Gewindeschneider rechts (1 St.)

UT-BB047

Maschio filetto inglese sinistro (1 pz.)
Tap for English thread left-hand (1pc.)
Taraud filetage anglais gauche (1 pc.)
BSA Gewindeschneider links (1 St.)



Attrezzo per filettatura scatola movimento centrale con 2 maschi

UT-BB040: Filetto italiano

UT-BB041: Filetto inglese

Tool for threading bottom bracket housing with 2 taps

UT-BB040: Italian thread

UT-BB041: English thread

Outil pour le filetage de la boîte de pédalier avec 2 tarauds

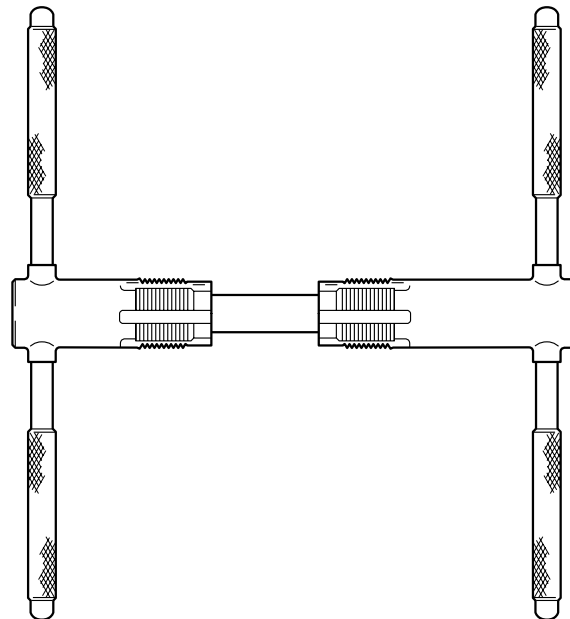
UT-BB040: filetage italien

UT-BB041: filetage anglais

Tretlager-Gewindeschneid-Werkzeug mit 2 Gewindeschneider mit:

UT-BB040: ITA Gewinde

UT-BB041: BSA Gewinde



BOTTOM BRACKET

UT-BB052: 2 manicotti filettati di guida per attrezzo UT-BB050, italiano

UT-BB053: 2 manicotti filettati di guida per attrezzo UT-BB051, inglese

UT-BB052: Inner and outer thread guide for UT-BB050, IT thread

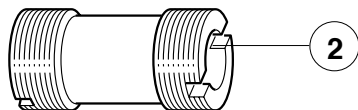
UT-BB053: Inner and outer thread guide for UT-BB051, BSC thread

UT-BB052: 2 manchons filetés de guide pour outils UT-BB050 fil. Italien

UT-BB053: 2 manchons filetés de guide pour outils UT-BB051 fil. anglais

UT-BB052: 2 Gewindemuffen zur Führung Werkzeuge UT-BB050, ITA

UT-BB053: 2 Gewindemuffen zur Führung Werkzeuge UT-BB051, BSA



Fresa per attrezzi UT-BB050 e UT-BB051

UT-BB054: Fresa standard

UT-BB055: Fresa con inserti metallo duro

Cutter for tools UT-BB050 and UT-BB051

UT-BB054: standard cutter

UT-BB055: cutter with hard metal inserts

Attrezzo fresatura piani scatola movimento centrale con fresa standard (1) e 2 manicotti filettati (2)

UT-BB050: Filetto italiano

UT-BB051: Filetto inglese

Bottom bracket facing set with standard cutter (1) and 2 - inner and outer - thread guide (2)

UT-BB050: Italian thread

UT-BB051: English thread

Outil fraisage faces boîte de pédalier avec fraise standard (1) et 2 manchons filetés de guide (2)

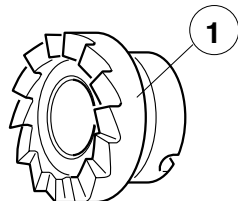
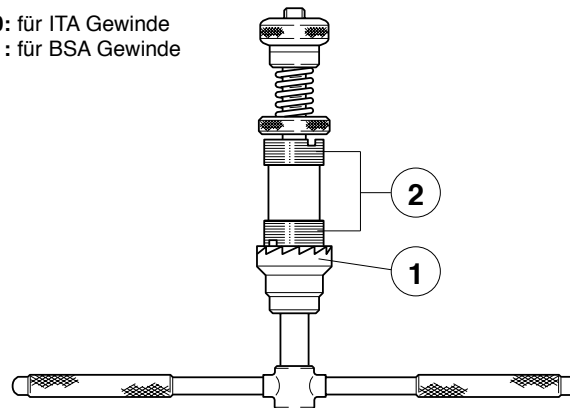
UT-BB050: filetage italien

UT-BB051: filetage anglais

Werkzeug zum Planfräsen des Tretlager-gehäuses mit Standardfräse (1) und 2 Gewindemuffen (2)

UT-BB050: für ITA Gewinde

UT-BB051: für BSA Gewinde



Fresa per attrezzi UT-BB050 e UT-BB051

UT-BB054: Fresa standard

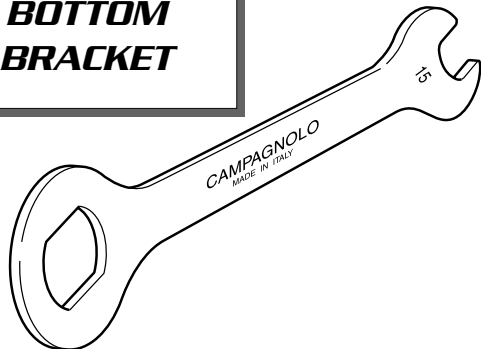
UT-BB055: Fresa con inserti metallo duro

Cutter for tools UT-BB050 and UT-BB051

UT-BB054: standard cutter

UT-BB055: cutter with hard metal inserts

**BOTTOM
BRACKET**

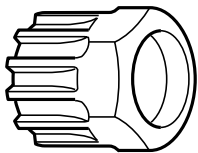
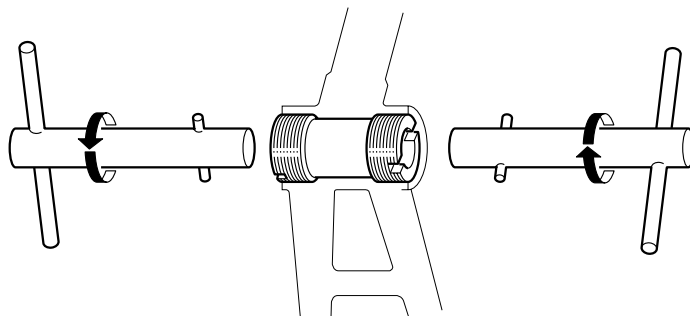


UT-BB030

Chiave per calotta destra movimenti centrali e per montaggio pedali
 Spanner for bottom bracket right-hand cup and installing pedals
 Clé pour cuvette droite jeu de pédalier et montage pédales
 Schlüssel für rechte Innenlagerschalen und Pedal-Montage

UT-BB060

Chiave per montaggio manicotti attrezzi UT-BB050/UT-BB051 (1 pz.)
 Key for BB-thread guides UT-BB050/UT-BB051 (1 pcs.)
 Clé pour montage guides pour outils UT-BB050/UT-BB051 (1 pcs.)
 Rohrschlüssel für Tretlagergewinde-Führungsteile UT-BB050/UT-BB051 (1 Stück)

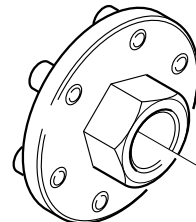


UT-BB080 (1 pz.) - 10-UT-BB080 (10 pz.):

Chiave per montaggio movimenti centrali CART e ghiera di chiusura pacchi pignoni
 Cartridge bottom bracket and sprocket cassette- lock ring remover
 Clé pour montage jeux de pédalier CART et roues-libres à cassette
 Schlüssel zur Montage von Patronen-Tretlager und Schließring für Freilaufzahnkranz

UT-BB100

Utensile per movimenti a cartuccia Daytona/Centaur™, Veloce™ e Mirage™
 Tool for Daytona/Centaur™, Veloce™ and Mirage™ cartridge bottom bracket
 Clé pour jeux de pédalier à cartouche Daytona/Centaur™, Veloce™ et Mirage™
 Montageschlüssel für Daytona/Centaur™, Veloce™ und Mirage™ Patronen-Tretlager

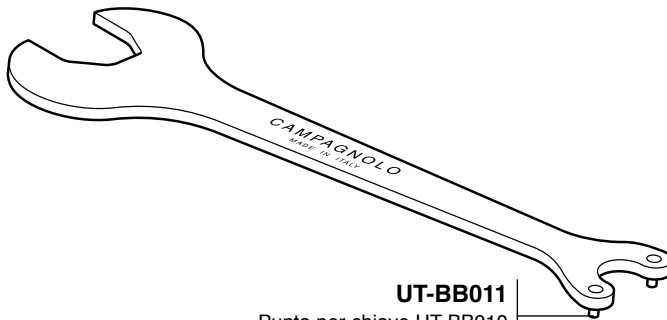


**HEADSET /
BOTTOM
BRACKET**



UT-HS010

Chiave per serie sterzo Ø 1" e contranello movimento centrale Pista™
Spanner for Ø 1" head sets and Pista™ bottom bracket counter ring
Clé pour direction Ø 1" et contre-écrou du jeu de pédalier Pista™
Schlüssel für Ø 1" Steuersatz und Pista™ Tretlager-Konerring

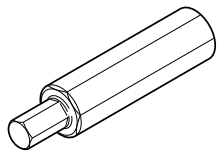


UT-BB011

Punta per chiave UT-BB010
Pin for UT-BB010
Grain pour clé UT-BB010
Stift für Schlüssel UT-BB010

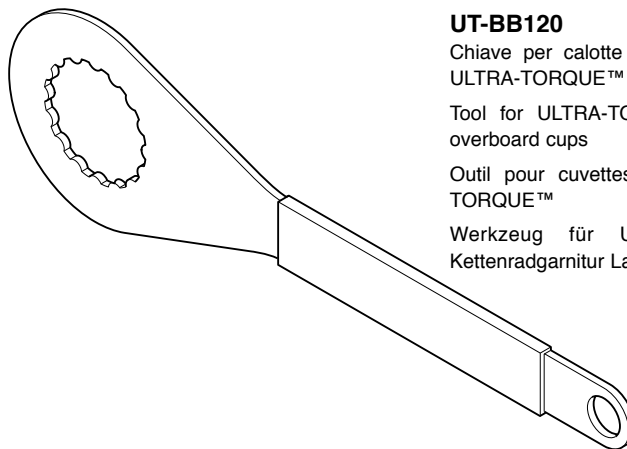
UT-BB010

Chiave per serie sterzo Ø 1" e calotta sinistra movimento centrale Pista™
Spanner for Ø 1" head sets and Pista™ bottom bracket left hand cup
Clé pour direction Ø 1" et cuvette réglable jeu de pédalier Pista™
Schlüssel für Ø 1" Steuersatz und Stiftschlüssel für Pista™ Tretlagerschale



UT-BB110

Utensile per vite fissaggio guarnitura ULTRA-TORQUE™
Tool for ULTRA-TORQUE™ crankset fixing screw
Outil pour vis de fixation pédalier ULTRA-TORQUE™
Werkzeug für ULTRA-TORQUE™ Kettenradgarnitur Befestigungsschraube



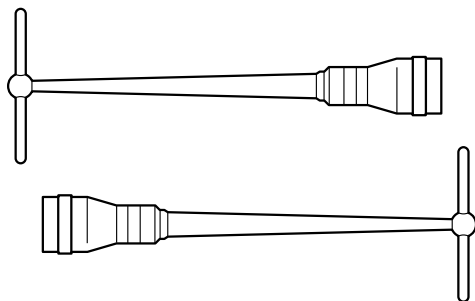
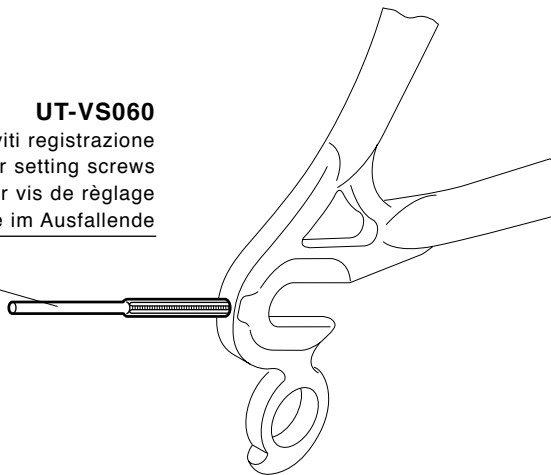
UT-BB120

Chiave per calotte esterne guarnitura ULTRA-TORQUE™
Tool for ULTRA-TORQUE™ crankset overboard cups
Outil pour cuvettes pédalier ULTRA-TORQUE™
Werkzeug für ULTRA-TORQUE™ Kettenradgarnitur Lagerschalen

**FRAME
PREPARATION**

UT-VS060

Maschio M3 x 0,5 per ripasso filetti forcellini per viti registrazione
 M3 x 0,5 tap for recutting rear drop-out threads for setting screws
 Taraud M3 x 0,5 pour repassage filetage pattes de cadre pour vis de réglage
M3 x 0,5 Gewindebohrer zum Nachschneiden von Stellschraubengewinde im Ausfallende



UT-VS120

Calibro per controllo allineamento forcellini e punte forcelle (2 pz.)
 Drop-out alignment set (2 pcs.)
 Calibre pour contrôle alignement pattes de cadres et pattes de fourches (2 pcs.)
 Werkzeug zum Ausrichten von Gabel- und Ausfallenden (2 St.)

FRAME PREPARATION

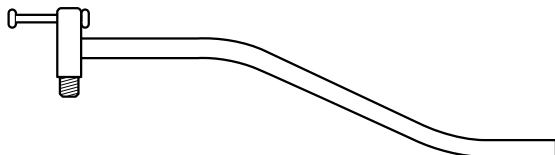
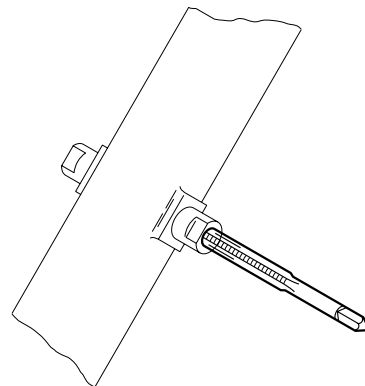
UT-VS050

Maschio M5 x 0,8 per ripasso filetti attacchi quadri comandi e attacchi borracce

M5 x 0,8 tap for recutting shifting lever- and bottle cage threads

Taraud M5 x 0,8 pour repassage filetage plots de manettes et attaches bidons

M5 x 0,8 Gewindebohrer zum Nachschneiden der Gewinde für Schalthebel und Trinkflaschenhalter



UT-VS030

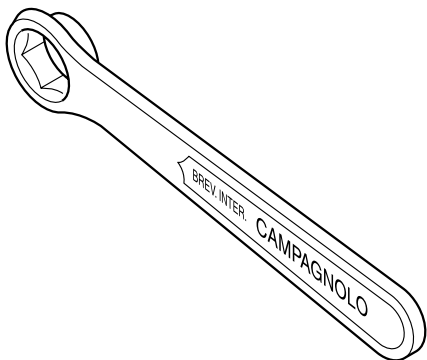
Riscontro allineamento occhiello attacco cambio

Rear derailleur hanger alignment tool

Calibre de contrôle attache de dérailleur arrière

Richtwerkzeug zur Kontrolle von Ausfallende mit Schaltauge

CRANKS / CHAINRINGS



UT-FC050

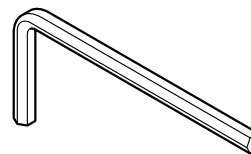
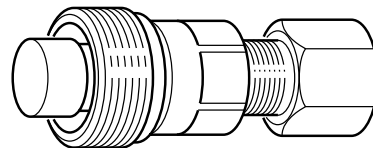
Chiave con esagono da 15 mm per estrattore pedivelle
 15 mm crank bolt spanner
 Clé avec hexagone de 15 mm pour extraire manivelles
 15 mm Schlüssel für Tretkurbelabzieher

UT-FC060

Estrattore pedivelle standard
 Extractor for standard cranks
 Extracteur manivelles standards
 Standard - Tretkurbelabzieher

UT-FC070

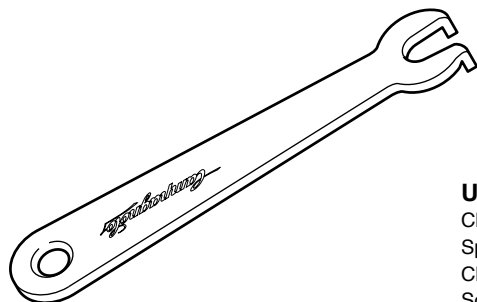
Estrattore pedivelle con filetto a sinistra
 Extractor for cranks with l.h. thread
 Extracteur manivelles avec filetage à gauche
 Tretkurbelabzieher mit Linksgewinde



UT-FC030

Chiave a brugola da 5 mm
 5 mm allen key
 Clé à pans creux de 5 mm
 5 mm L-Schlüssel

**CRANKS /
CHAINRINGS /
BRAKES**



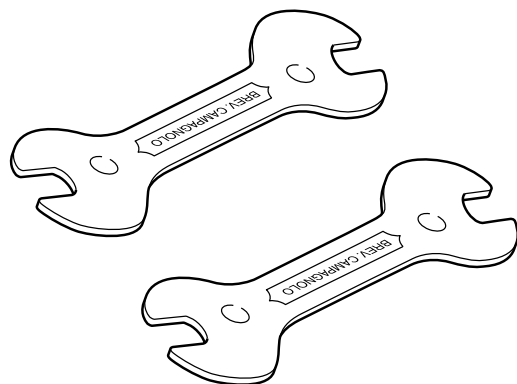
UT-FC040

Chiave per dadi fissaggio ingranaggi

Spanner for chainring retaining nuts

Clé pour écrous de fixation plateaux de pédaliers

Schlüssel zur Befestigung von Kettenblattbolzen



UT-BR010

Coppia chiavi 13-14 per registrazione freni e coni mozzi

Pair of 13-14 mm spanners for adjusting brakes and hub cones

Paire clés 13-14 pour réglage freins et cônes de moyeux

13-14 mm Schlüssel (2 Stücke) zum Einstellen von Bremsen und Nabelkonen

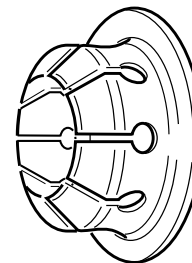
**HUBS &
WHEELS**

UT-HU090

Attrezzo per montaggio cricchetti ruota libera su mozzi standard e HPW™
 Freewheel-pawl assembling tool (standard and HPW™-hubs)

Outil pour montage cliquets de roue-libre sur moyeux standard et HPW™

Werkzeug zur Montage der Kassettenkörper-Sperrklinken (Standard- und HPW™-Nabe)



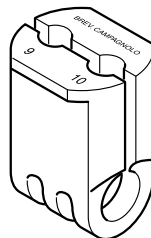
UT-HU020

Pinza per perni filettati mozzi

Hub axle vise

Pince pour axes filetés de moyeux

Klemmvorrichtung für Naben-Achsgewinde



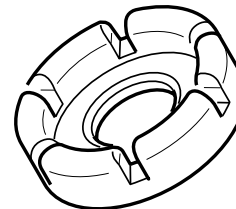
UT-HU050

Tiraraggi

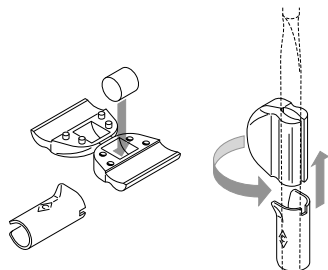
Spoke wrench

Clé à rayons

Speichenschlüssel



HUBS & WHEELS



UT-WH060

Magnete velocità per raggi EURUS™ 06 / SHAMAL™ ULTRA™

SPD magnet for EURUS™ 06 / SHAMAL™ ULTRA™ spokes

Aimant vitesse pour rayons EURUS™ 06 / SHAMAL™ ULTRA™

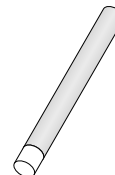


UT-WH040

Chiave tiraraggi EURUS™ 06
Spoke wrench EURUS™ 06
Clé à rayons EURUS™ 06

UT-WH070

Chiave tiraraggi SHAMAL™ ULTRA™
Spoke wrench SHAMAL™ ULTRA™
Clé à rayons SHAMAL™ ULTRA™



UT-WH050

Magnete guida-niplo
Nipple guide magnet
Aimant de guidage écrou



UT-WH020

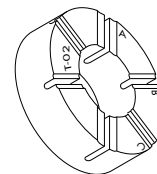
Inserto niplo attira-magnete per EURUS™ 06 / SHAMAL™ ULTRA™

Magnet-attracting nipple insert for EURUS™ 06 / SHAMAL™ ULTRA™

Insert d'écrou pour attirer l'aimant EURUS™ 06 / SHAMAL™ ULTRA™

UT-WH030

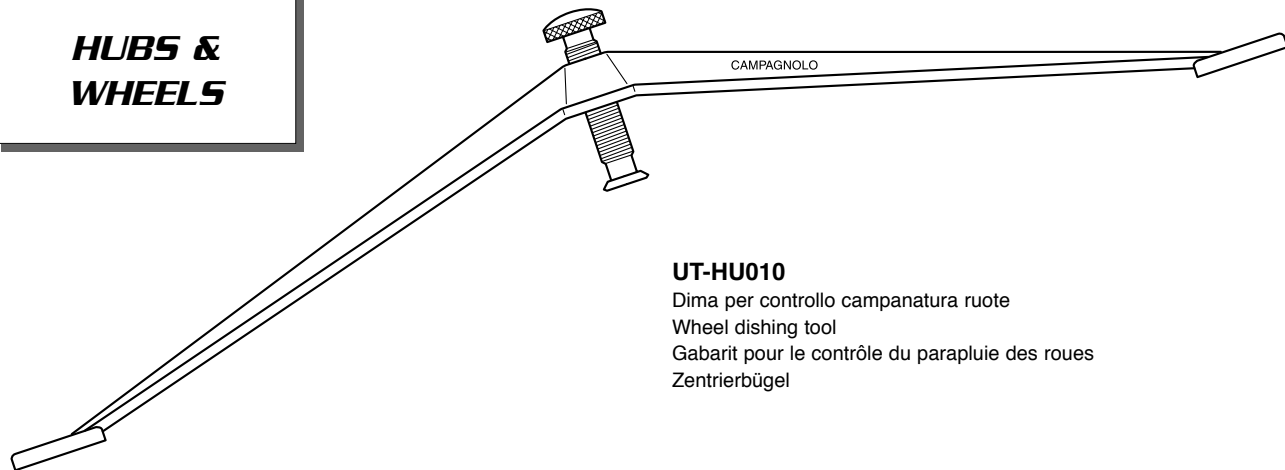
Inserto niplo attira-magnete per ZONDA™ 06
Magnet-attracting nipple insert for ZONDA™ 06
Insert d'écrou pour attirer l'aimant ZONDA™ 06



UT-WH010

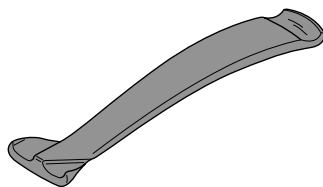
Anello anti-rotazione raggi
Spoke antirotation ring
Bague antirotation des rayons

**HUBS &
WHEELS**



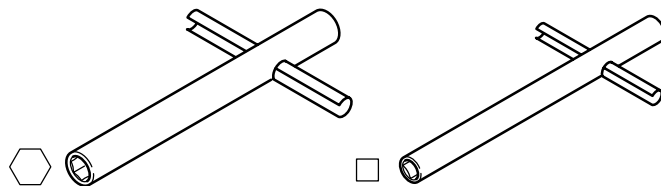
UT-HU010

Dima per controllo campanatura ruote
Wheel dishing tool
Gabarit pour le contrôle du parapluie des roues
Zentrierbügel



WH-009HYC

Leva in composito per rimozione copertoncino
Composite lever for removing clinchers
Démonte-pneus en composite
Reifenheber aus Verbundwerkstoff zum Abnehmen des Drahtreifens



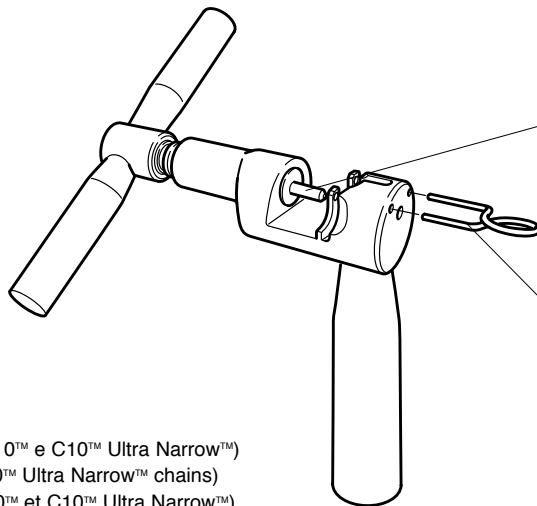
UT-HU070

Chiave con esagono da 5,5 mm per raggi ruote
5,5 mm nut driver for wheel spokes
Clé à rayons de 5,5 mm
5,5 mm Nippelspanner

UT-HU060

Chiave per raggi ruote Bora™ (fino a gamma '02 - per gamma '03 e succ. vedi pag. 118)
Bora™ wheel truing tool (till '02 range - from '03 range see page 118)
Clé à rayons pour Bor™a (jusqu'à la gamme '02 - pour gamme '03 et suivantes p. 118)
Vierkant-Nippelspanner für Bora™ (bis '02 Produktlinie - ab '03 Produktlinie siehe S. 118)

SPROCKETS / CHAIN



CAMPY™ UT-CN200

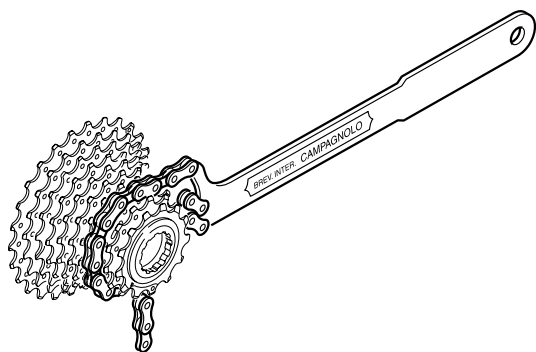
Utensile per **HD-Link™** (catene C10™ e C10™ Ultra Narrow™)
Tool for **HD-Link™** (C10™ and C10™ Ultra Narrow™ chains)
Outil pour **HD-Link™** (chaînes C10™ et C10™ Ultra Narrow™)
Werkzeug für **HD-Link™** (C10™ und C10™ Ultra Narrow™ Kette)

UT-CN201

Spintore per UT-CN200
Pusher for UT-CN200
Poinçon pour UT-CN200
Schieber für UT-CN200

UT-CN202

Dispositivo di blocco per UT-CN200
Clamping device for UT-CN200
Dispositif de blocage pour UT-CN200
Sperrvorrichtung für UT-CN200



UT-CS060

Chiave con catena 10s per smontaggio pignoni 10s, 9s e 8s
Spanner with 10s chain for 10, 9 and 8s sprockets
Fouet à chaîne 10s pour pignons 10s, 9s et 8s
Zahnkranzabnehmer mit Rennkette 10s für 10-, 9- und 8s Ritzeln

ENGLISH	ITALIANO	FRANCAIS	DEUTSCH
BRAKE HOUSING FERRULES	CAPIGUAINA FRENO	BUTEE DE GAINE FREINS	BREMSZUG-ENDKAPPE
CLINCHER	COPERTONCINO	PNEUS ETROIT	DRAHTREIFEN
COMPATIBLE	COMPATIBILE	COMPATIBLE	KOMPATIBEL
FIXED CLEAT	TACCHETTA SENZA GIOCO	CALES SANS JEU	SCHUHPLATTE OHNE SPIEL
FLOATING CLEAT	TACCHETTA CON GIOCO	CALES AVEC JEU	SCHUHPLATTE MIT SPIEL
FRONT (F)	ANTERIORE	AVANT	VORDER
FRONT HUB	MOZZO ANTERIORE	MOYEU AVANT	VR-NABE
FW BODY	CORPO RL	CORPS RL	FREILAUFKÖRPER
LEFT (L)	SINISTRO	GAUCHE	LINKS
LONG	LUNGO	LONGUE	LANG
MEDIUM	MEDIO	MOYEN	MITTELANG
NOT COMPATIBLE	NON COMPATIBILE	NON COMPATIBLE	NICHT KOMPATIBEL
ONLY	SOLO	SEULEMENT	NUR
PREVIOUS	PRECEDENTE	PRECEDENT	VORHERGEHEND
PRODUCT RANGE	GAMMA PRODOTTI	GAMME PRODUITS	PRODUKTLINIE
REAR (R)	POSTERIORE	ARRIERE	HINTER
REAR HUB	MOZZO POSTERIORE	MOYEU ARRIERE	HR-NABE
RIGHT (R)	DESTRO	DROIT	RECHTS
SHORT	CORTO	COURT	KURZ
SPRING	MOLLA	RESSORT	FEDER
SPACER	DISTANZIALE	ENTRETOISE	DISTANZRINGE
SPOKE	RAGGIO	RAYON	SPEICHE
THREAD	FILETTO	FILETAGE	GEWINDE
TUBULAR	TUBOLARE	BOYAU	SCHLAUCHREIFEN

ITALY - Central Service Center

CAMPAGNOLO SRL HEADQUARTERS

Via della Chimica, 4 - 36100 VICENZA

Phone: +39-0444-225605

Fax: +39-0444-225606

E-mail: service@campagnolo.com

AUSTRALIA

CYCLING PROJECTS

Shop 1 - 86 King Street,

NSW 2193 Ashbury

Phone: +61-2-97992407

Fax: +61-2-97992107

AUSTRIA

CAMPAGNOLO DEUTSCHLAND GMBH

Alte Garten 60-62

51371 LEVERKUSEN - DEUTSCHLAND

Phone: +49-214-206953-20

Fax: +49-214-206953-15

BENELUX

I.C.C. - INTERNATIONAL CYCLE CONNECTION

Handelsoort, 3A

4538 BN TERNEUZEN - Netherlands

Phone: +31-115-649321

Fax: +31-115-649110

CANADA

CYCLES MARINONI INC

1067, Levis - LACHENAIE - QUEBEC J6W 4L2

Phone: +1-450-4717133

Fax: +1-450-4719887

GREAT WESTERN BICYCLE CO. LTD.

232 West 7th Ave.

VANCOUVER BC V5Y 1M1

Phone: +1-604-8722424

Fax: +1-604-87202226

CZECH REPUBLIC

KOLA SIRER

V Plzenske Brane 1 - 26601 BEROUN 1

Phone: 00420-311-621355

Fax: 00420-311-625492

DENMARK

MARKER SCANDINAVIA

Industrivej 1D - DK-4000

Roskilde - DENMARK

Phone: +45-70228075

Fax: +45-46498088

FINLAND

MARKER SCANDINAVIA

Industrivej 1D - DK-4000

Roskilde - DENMARK

Phone: +45-70228075

Fax: +45-46498088

FRANCE

CAMPAGNOLO FRANCE EURL

ZA du Tissot - 42530 St Genest - Lerpt

Phone: +33-(0)477-556305

Fax: +33-(0)477-556345

GERMANY

CAMPAGNOLO DEUTSCHLAND GMBH

Alte Garten 60-62

51371 LEVERKUSEN - DEUTSCHLAND

Phone: +49-214-206953-20

Fax: +49-214-206953-15

GREECE

CYCLES FIDUSA - GIORGIO VOYATZIS & CO.

Th. Sofuli 97 - 85100 RHODOS

Phone: +30-241-021264

Fax: +30-241-021519

JAPAN

CAMPAGNOLO JAPAN LTD

65 Yoshida-cho, Naka-ku, Yokohama

231-0041 JAPAN

Phone: +81-45-264-2780

Fax: +81-45-241-8030

NEW ZEALAND

WH WORRALL CO. LTD.

43 Felix St./Penrose - P.O. Box 12481

AUCKLAND

Phone: +64-9-6360641

Fax: +64-9-6360631

NORWAY

MARKER SCANDINAVIA

Industrivej 1D - DK-4000
Roskilde - DENMARK
Phone: +45-70228075
Fax: +45-46498088

SINGAPORE

TRIMEN VENTURES PTE LTD

705 Sims Drive
#01-16 Shun Li Industrial Complex
Singapore 387384
Tel: +65 6354 3030
Fax: +65 6354 3020

SLOVAC REPUBLIC

ZANZO S.R.O.

Kysucky Lieskovec 421
02334 BRATISLAVA
Tel. +421-245-523721
Fax +421-245-249404

SOUTH AFRICA

CYCLING J&J (PTY) LTD.

169 Meerlust Street
Willow Glen - PRETORIA
Tel. +27-012-8075570
Fax +27-012-8074267

SPAIN

CAMPAGNOLO IBERICA S.L.

Avda. de Los Huetos 46 Pab. 31
01010 VITORIA
Phone: +34-945-217195
Fax: +34-945-217198

SWEDEN

MARKER SCANDINAVIA

Industrivej 1D - DK-4000
Roskilde - DENMARK
Phone: +45-70228075
Fax: +45-46498088

SWITZERLAND

PIERO ZURINO AG

Flawilerstrasse 3a
9500 WIL SG
Phone: +41-71-9236001
Fax: +41-71-9236353

U.G.D. SPORT DIFFUSION S.A.

La Taille - 2053 CERNIER
Phone: +41-32-8536363
Fax: +41-32-8536464

TAIWAN, MAINLAND CHINA, VIETNAM

COLMAX INTERNATIONAL LTD

No. 42, Alley 30, Lane 300
Section 2, Jhong Hwa S. Road
Tainan 702, TAIWAN
Phone: +886-6-265 6001
Fax: +886-6-265 1388

UNITED KINGDOM

ITALIAN CYCLE PRODUCTS LIMITED

Unit 3, Napoleon Business Park
Wheterby Road - DERBY - DE24 8HL
Phone: +44-01332-371176
Fax: +44-01332-371179

UNITED STATES

CAMPAGNOLO NORTH AMERICA INC.

5431 Avenida Encinas, Suite C
CARLSBAD, CA 92008
Phone: +1-760-9310106
Fax: +1-760-9310991

OCHSNER INT. INC.

246 E. Marquardt Drive
WHEELING - IL 60090-6430
Phone: +1-760-9310106
Fax: +1-760-9310991

QUALITY BICYCLES PRODUCTS

6400 W. 105th Street
BLOOMINGTON - MN 55438-2554
Phone: +1-952-941-9391
Fax: +1-952-941-9799

THE HAWLEY COMPANY, INC.

1181 South Lake Drive
LEXINGTON - SC 29073-7744
Tel. +1-803.359.3492 x 192
Fax +1-803.359.1343

