

Campagnolo®

2006

SPARE PARTS AND TOOLS CATALOGUE

SERIE STERZO • HEADSET • STEUERSATZ • JEU DE DIRECTION

| | |
|--|---|
| Record™ - Record™ Threadless™ 1" - 1-1/8" | 1 |
| Record™ Hiddenset™ 1-1/8" - 1-1/8" TTC | 2 |
| Chorus™ - Chorus™ Threadless™ | 3 |
| Chorus™ Hiddenset™ 1-1/8" - 1-1/8" TTC™ - Centaur™ Hiddenset™ 1-1/8" | 4 |

REGGISSELLA • SEAT POST • SATTELSTÜTZE • TIGE DE SELLE

| | |
|--|---|
| Record™ Carbon - Chorus™ Carbon - Centaur™ | 5 |
|--|---|

MOVIMENTO CENTRALE • BOTTOM BRACKET • INNENLAGER • JEU DE PEDALIER

| | |
|--|---|
| Record™ - Chorus™ - Record™ Pista™ | 6 |
| Centaur™ | 7 |
| Veloce™ - Mirage™ | 8 |

GUARNITURA • CRANKSET • KETTENRADGARNITUR • PEDALIER

| | |
|--|----|
| Record™ 10s | 9 |
| Record™ Carbon 10s | 10 |
| Record™ Carbon 10s CT™ | 11 |
| Record™ Triple 10s | 12 |
| Record™ Pista™ | 13 |
| Chorus™ 10s | 14 |
| Chorus™ Carbon 10s | 15 |
| Chorus™ Carbon 10s CT™ | 16 |
| Chorus™ Triple 10s | 17 |
| Centaur™ 10s - Centaur™ C-GREY 10s | 18 |
| Centaur™ 10s CT™ - Centaur™ C-GREY 10s CT™ | 19 |
| Centaur™ Carbon 10s | 20 |
| Centaur™ Carbon 10s CT™ | 21 |
| Centaur™ Triple 10s - Centaur™ Triple C-GREY 10s | 22 |
| Veloce™ 10s | 23 |
| Veloce™ 10s CT™ | 24 |
| Veloce™ Triple 10s | 25 |
| Mirage™ Black 9s | 26 |
| Mirage™ Triple Black 9s | 28 |

| | |
|------------------------------|----|
| Xenon™ 9s | 29 |
| Xenon™ Triple 9s | 30 |
| Time Trial™ chainrings | 31 |

CAMBIO • REAR DERAILLEUR • SCHALTUNG • DERAILLEUR ARRIERE

| | |
|---------------------------|----|
| Record™ 10s | 32 |
| Chorus™ 10s | 33 |
| Centaur™ 10s | 34 |
| Centaur™ C-GREY 10s | 35 |
| Veloce™ 10s | 36 |
| Mirage™ Black 9s | 37 |
| Xenon™ 9s | 38 |

DERAGLIATORE • FRONT DERAILLEUR • UMWERFER • DERAILLEUR AVANT

| | |
|--|----|
| Record™ 10s | 39 |
| Record™ CT™ 10s | 40 |
| Chorus™ 10s | 41 |
| Chorus™ CT™ 10s | 42 |
| Chorus™ CT™ 10s for FLAT-BAR | 43 |
| Chorus™ 10s for FLAT-BAR | 44 |
| Record™ Triple 10 - Chorus™ Triple 10s | 45 |
| Chorus™ Triple for FLAT-BAR 10s | 46 |
| Centaur™ 10s - Centaur™ C-GREY 10s | 47 |
| Centaur™ CT™ 10s - Centaur™ C-GREY CT™ 10s | 48 |
| Centaur™ CT™ 10s for FLAT-BAR - Centaur™ C-GREY CT™ 10s for FLAT-BAR | 49 |
| Centaur™ 10s for FLAT-BAR - Centaur™ C-GREY 10s for FLAT-BAR | 50 |
| Centaur™ Triple 10s - Centaur™ Triple C-GREY 10s | 51 |
| Centaur™ Triple 10s for FLAT-BAR - Centaur™ C-GREY Triple 10s for FLAT-BAR | 52 |
| Veloce™ 10s | 53 |
| Veloce™ CT 10s | 54 |
| Veloce™ 10s for FLAT-BAR | 55 |
| Veloce™ CT 10s for FLAT-BAR | 56 |
| Veloce™ Triple 10s for FLAT-BAR | 57 |

| | |
|---|----|
| Veloce™ Triple 10s - Mirage™ Black 9s - Mirage™ Triple Black 9s | 58 |
| Mirage™ CT 9s | 59 |
| Mirage™ CT 9s for FLAT-BAR | 60 |
| Mirage™ Triple Black 9s for FLAT-BAR | 61 |
| Xenon™ 9s - Xenon™ Triple 9s | 62 |

ERGOPOWER™

| | |
|---|----|
| Record™ 10s | 63 |
| Chorus™ 10s | 64 |
| Centaur™ 10s - Centaur™ C-GREY 10s | 65 |
| Veloce™ 10s | 66 |
| Mirage™ 9s | 67 |
| Xenon™ 9s | 68 |
| Ergopowers / rear derailleurs cross compatibility | 69 |

ERGOPOWER™ FLAT-BAR

| | |
|--|----|
| Chorus™ FB 10s | 71 |
| Centaur™ FB 10s - Centaur™ C-GREY FB 10s | 72 |
| Veloce™ FB 10s | 73 |
| Veloce™ FB 10s for Linear Pull Cantilever brakes | 74 |
| Mirage™ FB 9s | 75 |
| Mirage™ FB 9s for Linear Pull Cantilever brakes | 76 |

FRENI • BRAKES • BREMSSEN • FREINS

| | |
|--|----|
| Record-D™ “black” - Record-D™ “silver” | 77 |
| Chorus-D™ | 78 |
| Centaur™ - Centaur™ C-GREY | 79 |
| Veloce™ | 80 |
| Veloce™ Linear Pull Cantilever | 81 |
| Mirage™ Black | 82 |
| Mirage™ Black Linear Pull Cantilever | 83 |
| Xenon™ | 84 |

BAR-END

| | |
|---------------------------|----|
| Time Trial™ Bar-End | 85 |
|---------------------------|----|

COMANDI FRENO • BRAKE LEVERS • BREMSHEBEL • POIGNEES DE FREINS

| | |
|----------------------|----|
| Record™ Carbon | 86 |
|----------------------|----|

BLOCCAGGI • QUICK RELEASES • SCHNELLSPANNER • BLOCAGES

| | |
|-----------------------|----|
| Record™ | 87 |
| Chorus™ | 87 |
| Centaur™ | 88 |
| Veloce™ | 88 |
| QF6-20 / QR6-20 | 89 |
| QF6-30 / QR6-30 | 89 |
| QF6-40 / QR6-40 | 89 |

MOZZI • HUBS • NABEN • MOYEUX

| | |
|--|----|
| Record™ / Chorus™ / Centaur™ / Centaur™ C-GREY front hub | 90 |
| Record™ / Chorus™ / Centaur™ / Centaur™ C-GREY rear hub | 91 |
| Veloce™ / Mirage™ front and rear hub | 92 |
| Record™ Pista™ front hub | 93 |
| Record™ Pista™ rear hub | 94 |

GHIERE • LOCKRINGS • VERSCHLUSSRING • ECROUS

| | |
|----------------------|----|
| Complete range | 95 |
|----------------------|----|

PIGNONI • SPROCKETS • RITZEL • CASSETTES

| | |
|--------------------------------|----|
| Record™ UD™ 10s | 96 |
| Record™ UD™ 10s Titanium | 97 |
| Chorus™ UD™ 10s | 98 |

| | |
|------------------------|-----|
| Centaur™ UD™ 10s | 99 |
| Velocé™ UD™ 10s | 100 |

PEDALI • PEDALS • PEDALE • PEDALES

| | |
|-----------------------------|-----|
| Record™ Pro-Fit PLUS | 101 |
| Chorus™ Pro-Fit PLUS | 101 |
| Centaur™ Pro-Fit PLUS | 101 |
| Other spares | 102 |

CAVI E GUAINE • CABLES AND CASINGS • KABEL UND HÜLLEN • CABLES ET GAINES

| | |
|---------------------|-----|
| Complete sets | 104 |
| Single parts | 105 |

ERGOBRAIN™

| | |
|-------------|-----|
| Parts | 106 |
|-------------|-----|

VARI • VARIOUS • VERSCHIEDENES • DIVERSES

| | |
|---|-----|
| Ergopower™ blocks / 8s adapter kit for 9/10s / HD-Link™ / Wheel bag | 108 |
| Original spare parts | 109 |

RUOTE • WHEELS • LAUFRÄDER • ROUES

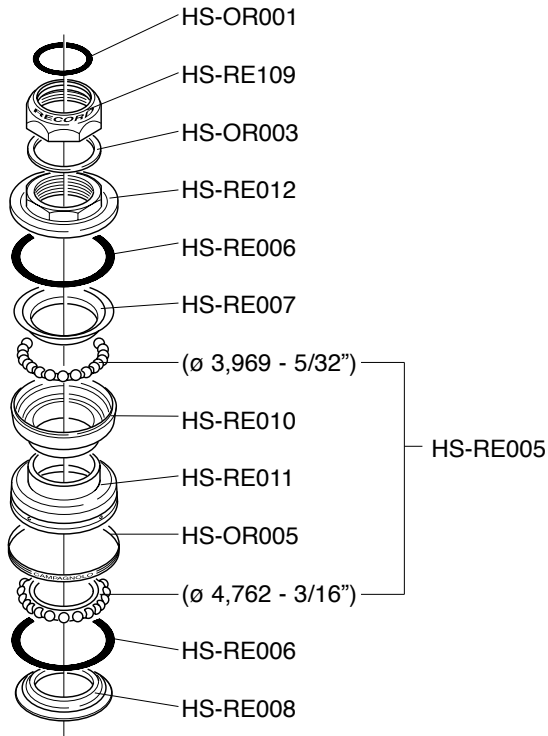
| | |
|--|-----|
| LOW-PROFILE WHEEL - Hyperon™ Ultra™ clincher 9s / 10s | 110 |
| LOW-PROFILE WHEEL - Hyperon™ tubular 9s / 10s | 111 |
| LOW-PROFILE WHEEL - Neutron™ 9s / 10s | 112 |
| LOW-PROFILE WHEEL - Proton™ 9s / 10s | 113 |
| MEDIUM-PROFILE WHEEL - Eurus™ clincher 9s / 10s | 114 |
| MEDIUM-PROFILE WHEEL - Eurus™ tubular 9s / 10s | 115 |
| MEDIUM-PROFILE WHEEL - Zonda™ 9s / 10s | 116 |
| MEDIUM-PROFILE WHEEL - Scirocco™ 9s / 10s | 117 |
| MEDIUM-PROFILE WHEEL - Vento™ 9s / 10s | 118 |
| HIGH-PROFILE WHEEL - Bora™ Ultra™ 9s / 10s | 119 |
| HIGH-PROFILE WHEEL - Pista™ | 120 |
| Bora™ Ultra™ / Hyperon™ tubular / Hyperon™ Ultra™ clincher front hub | 121 |

| | |
|---|-----|
| Bora™ Ultra™ / Hyperon™ tubular / Hyperon™ Ultra™ clincher rear hub | 122 |
| Eurus™ / Zonda™ front hub | 123 |
| Eurus™ / Zonda™ rear hub | 124 |
| Neutron™ front hub | 125 |
| Neutron™ rear hub | 126 |
| Proton™ front hub | 127 |
| Proton™ rear hub | 128 |
| Scirocco™ front and rear hub | 129 |
| Vento™ front and rear hub | 130 |
| Pista™ front hub | 131 |
| Pista™ rear hub | 132 |

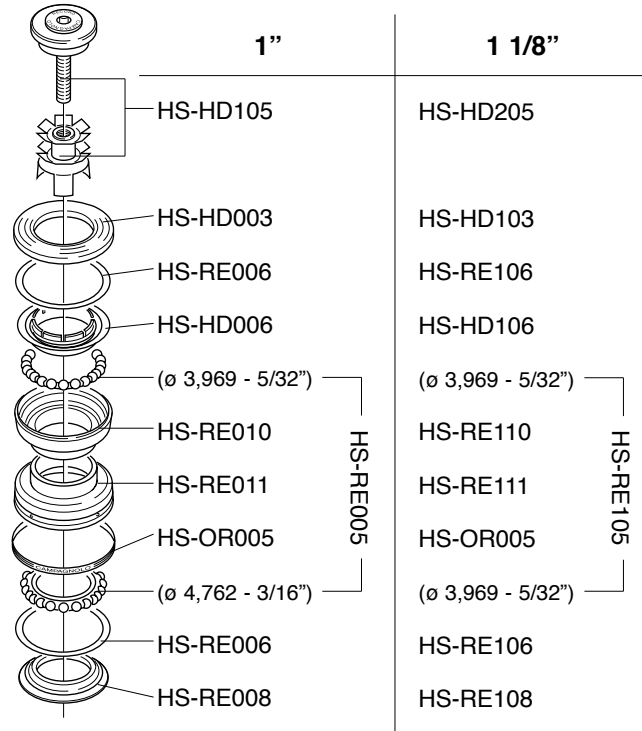
UTENSILI • TOOLS • WERKZEUGE • OUTILS

| | |
|-------------------------------|-----|
| Recommended tools | 133 |
| Headset | 134 |
| Bottom bracket | 139 |
| Frame preparation | 142 |
| Cranks / chainrings | 145 |
| Hubs & wheels | 147 |
| Sprockets / chains | 150 |
| | |
| Glossary | 151 |
| Service Centers | 153 |

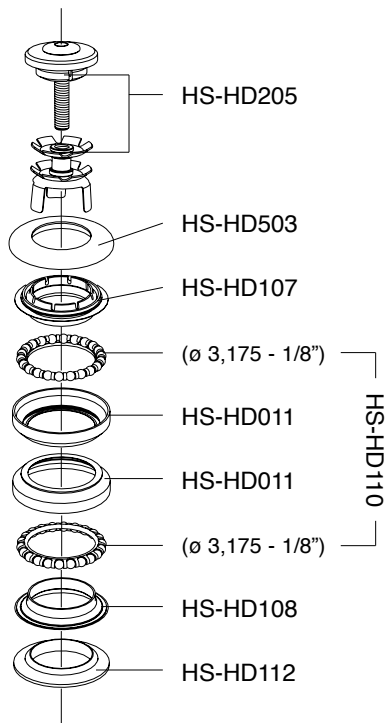
**RECORD™
HS00-RE**



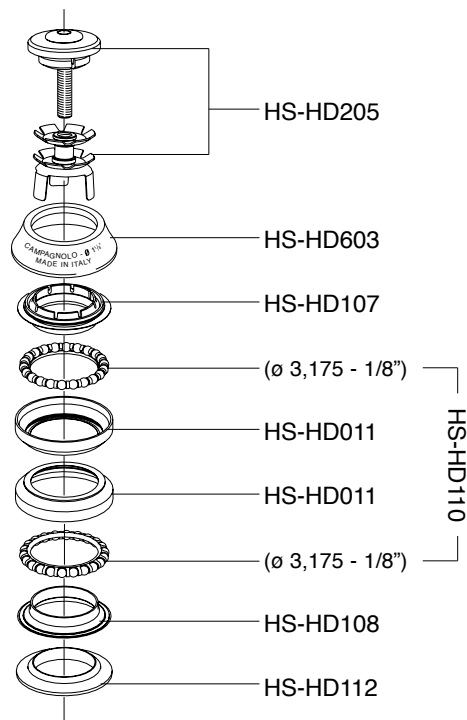
**RECORD™ Threadless™
1": HS00-RETH
1 1/8": HS00-RETHOS**



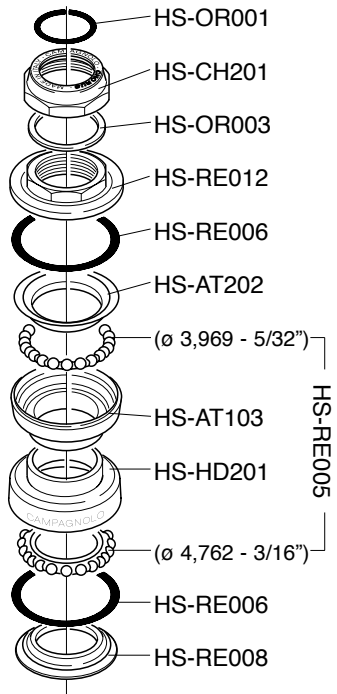
RECORD™
Hiddenset™
1 1/8": HS03-REHIOS



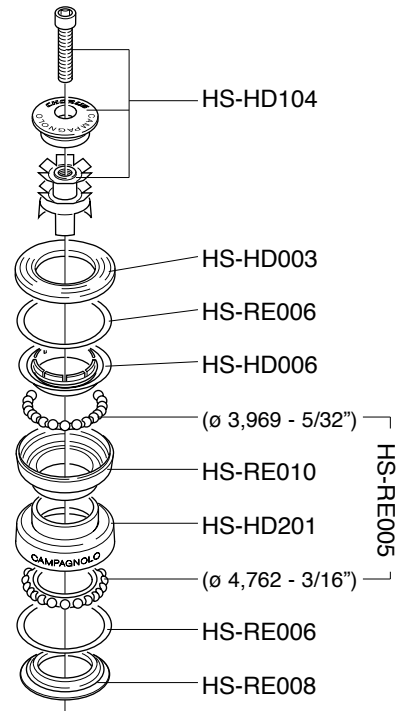
RECORD™
Hiddenset™ TTC™
1 1/8": HS03-REHIOST



**CHORUS™
HS00-CH**



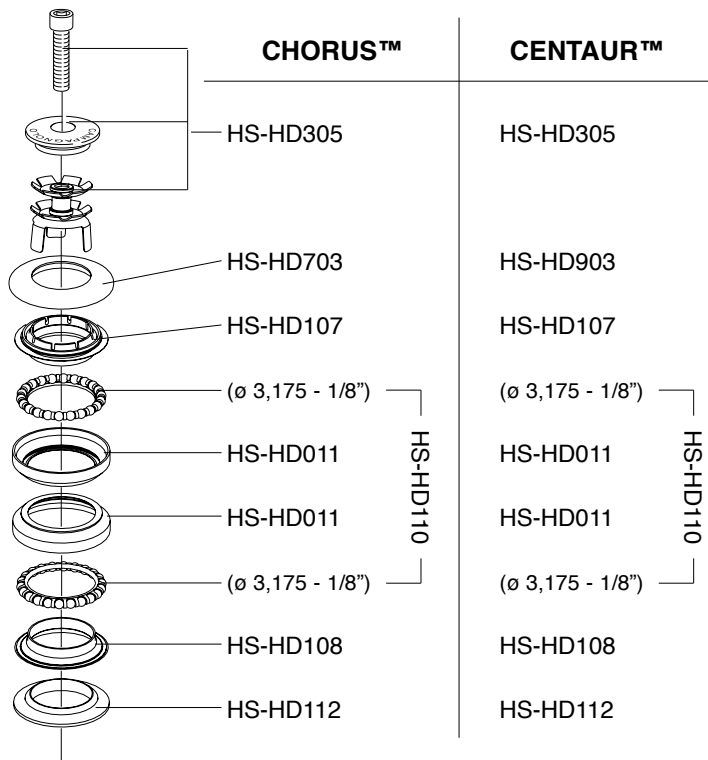
**CHORUS™
THREADLESS™
HS00-CHTH**



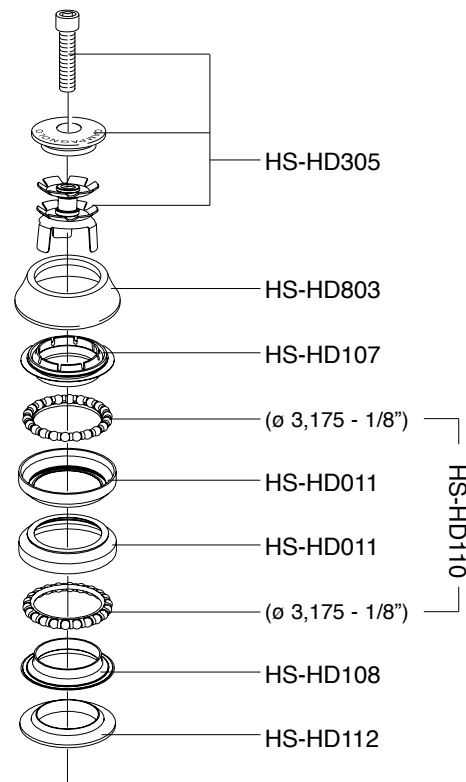
HEADSET

CHORUS™ Hiddenset™
1 1/8": HS03-CHHIOS

CENTAUR™ Hiddenset™
1 1/8": HS4-CEH8



CHORUS™ Hiddenset™
TTC™
1 1/8": HS03-CHHIOST



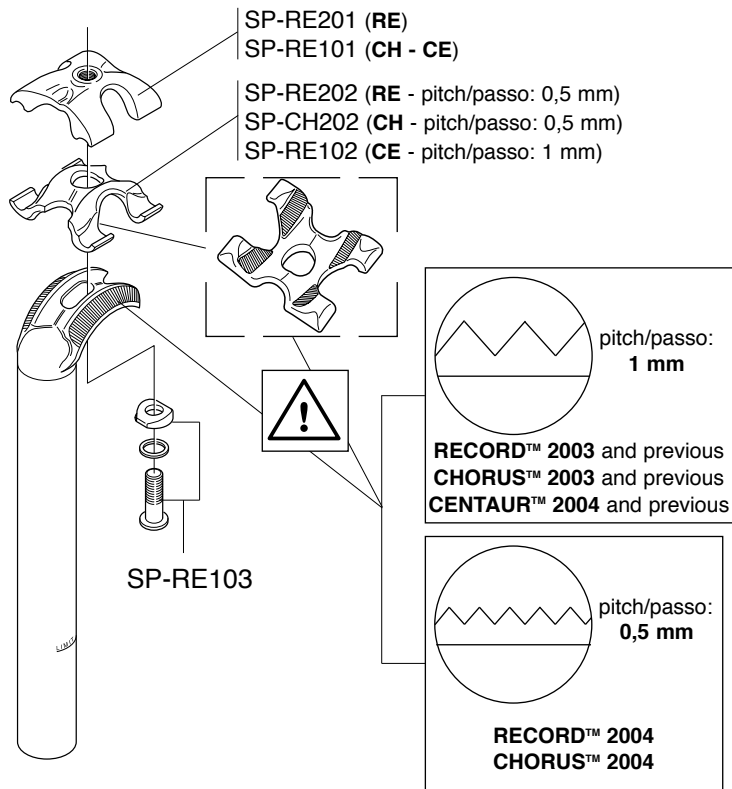
RECORD™

Carbon
SP4-RE27C
SP4-RE31CL
SP4-RE32CL

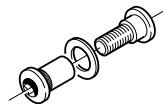
CHORUS™

Carbon
SP4-CH27C
SP4-CH31CL
SP4-CH32CL

CENTAUR™
SP4-CE27



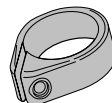
5-SP-RE104 (5 pcs.)
50-SP-RE104 (50 pcs.)



SP-RE106 (1 pc.)
5-SP-RE106 (5 pcs.)
per tubi Ø 31,6 / 31,9 mm
for tubes Ø 31,6 / 31,9 mm

SP-RE108 (1 pc.)
5-SP-RE108 (5 pcs.)
per tubi Ø 34,9 / 35,2 mm
for tubes Ø 34,9 / 35,2 mm

SP-RE107 (1 pc.)
5-SP-RE107 (5 pcs.)
per tubi Ø 35,5 / 35,8 mm
for tubes Ø 35,5 / 35,8 mm



! WARNING!

With the 2004 product range the pitch of all the heads (5 - Fig. 1) on the RECORD™ and CHORUS™ seat post tubes and the relevant seat clamps (1 - Fig. 1) has been reduced from 1 mm to 0.5 mm. A seat clamp (1 - Fig. 1) with 0.5 mm pitch is not compatible with heads (5 - Fig. 1) with a 1-mm pitch and vice versa. NEVER use seat clamps and heads that are not compatible with one another; the seat clamp could slip causing you to lose control of your bicycle, resulting in an accident, personal injury or death.

! ATTENZIONE!

A partire dalla gamma 2004 è stato dimezzato il passo (da 1 mm a 0,5 mm) di tutte le teste (5 - Fig. 1) e delle relative staffe inferiori (1 - Fig. 1) dei reggisella RECORD™ e CHORUS™. Una staffa (1 - Fig. 1) con passo da 0,5 mm non è compatibile con le teste (5 - Fig. 1) con passo da 1 mm e viceversa. Non utilizzate MAI staffe e teste non compatibili tra loro; la staffa potrebbe slittare e potreste incorrere in incidenti, lesioni fisiche o morte.

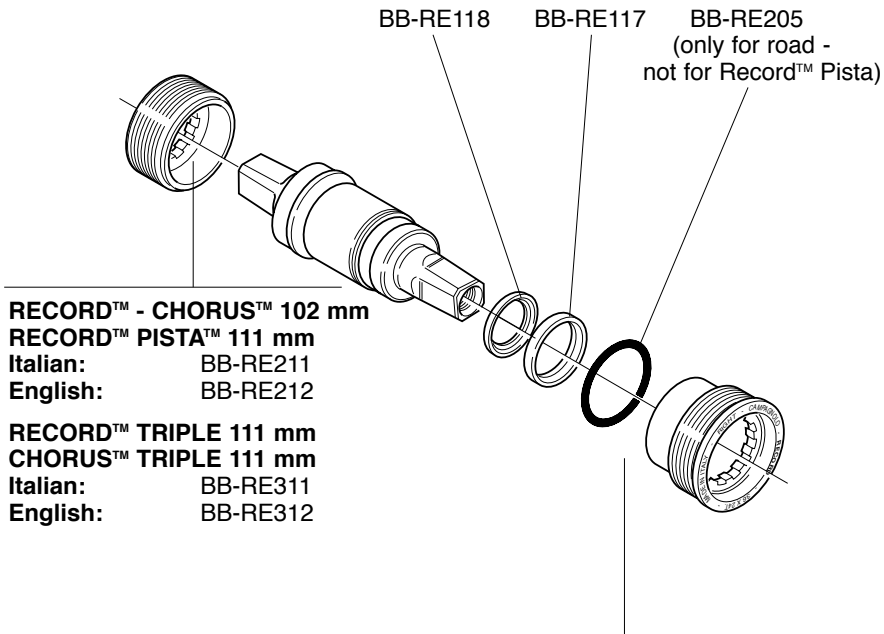
RECORD™ 102 mm
BB99-RE02IT
BB99-RE02BC

RECORD™ TRIPLE
 111 mm
 asymmetrical
BB02-RE11IT
BB02-RE11BC

CHORUS™ TRIPLE
 111 mm
 asymmetrical
BB03-CH11IT
BB03-CH11BC

CHORUS™ 102 mm
BB99-CH02IT
BB99-CH02BC

RECORD™ PISTA™
 111 mm
BB01-REPIIT
BB01-REPIBC



RECORD™ - CHORUS™ 102 mm
RECORD™ PISTA™ 111 mm
 Italian: BB-RE211
 English: BB-RE212

RECORD™ TRIPLE 111 mm
CHORUS™ TRIPLE 111 mm
 Italian: BB-RE311
 English: BB-RE312

RECORD™ 102 mm / **RECORD™ PISTA™** 111 mm
 Italian: BB-RE213
 English: BB-RE214

RECORD™ TRIPLE 111 mm
 Italian: BB-RE313
 English: BB-RE314

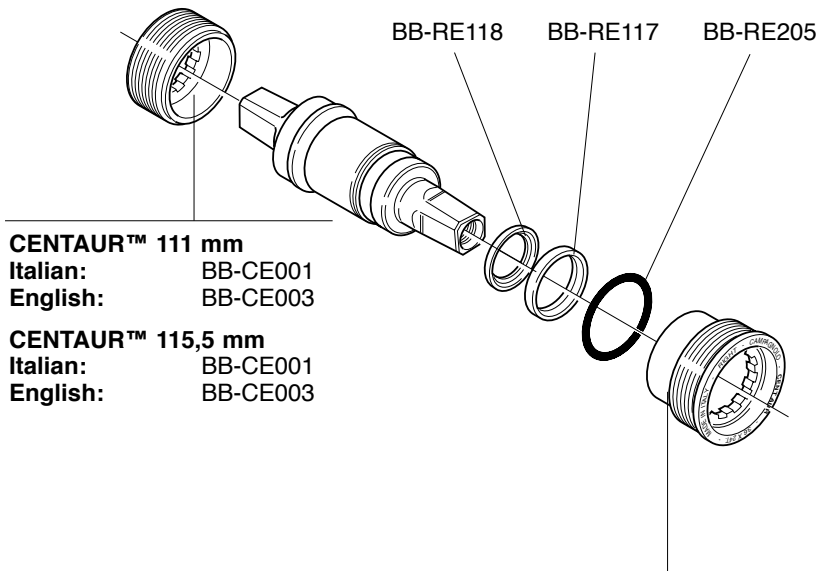
CHORUS™ TRIPLE 111 mm
 Italian: BB-CH313
 English: BB-CH314

CHORUS™ 102 mm
 Italian: BB-CH213
 English: BB-CH214

CENTAUR™

111 mm
BB5-CE1I
BB5-CE1G

115,5 mm
BB6-CE5I
BB6-VE5G



CENTAUR™ 111 mm
Italian: BB-CE001
English: BB-CE003

CENTAUR™ 115,5 mm
Italian: BB-CE001
English: BB-CE003

CENTAUR™ 111 mm
Italian: BB-CE002
English: BB-CE004

CENTAUR™ 115,5 mm
Italian: BB-CE102
English: BB-CE104

VELOCE™

111 mm
BB6-VL1I
BB6-VL1G

115,5 mm
BB6-VL5I
BB6-VL5G

MIRAGE™

111 mm
BB6-MI1I
BB6-MI1G

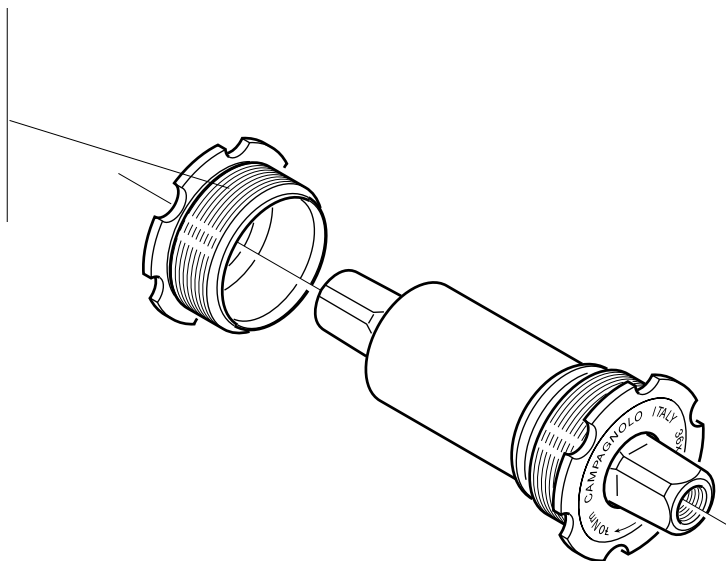
115,5 mm
BB6-MI5I
BB6-MI5G

ITALIAN:

BB-VL101 (VELOCE™)
BB-MI101 (MIRAGE™)

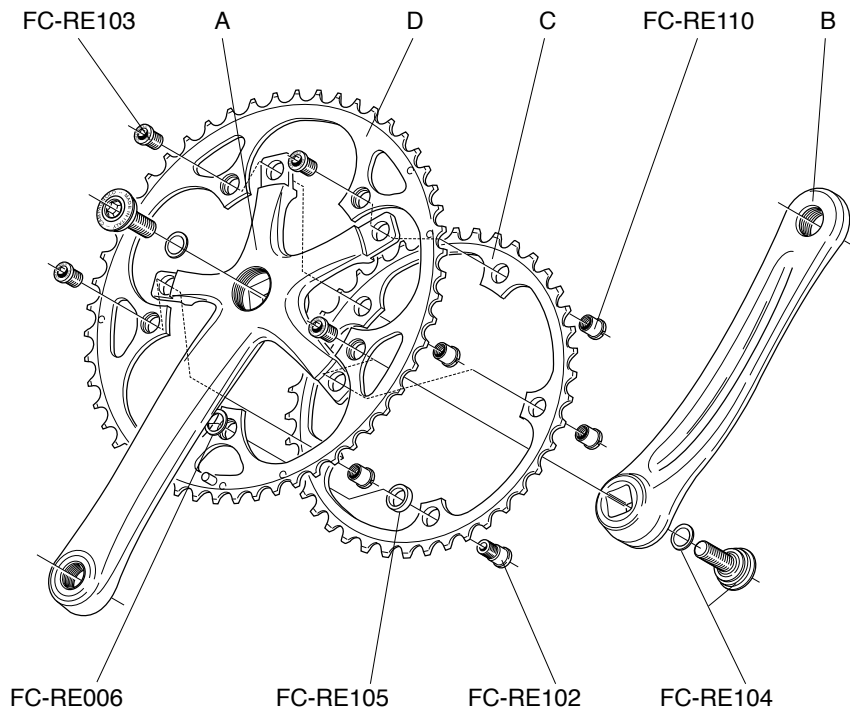
ENGLISH:

BB-VL103 (VELOCE™)
BB-MI103 (MIRAGE™)



RECORD™ 10s
FC4-RE...X

| | | |
|----------|------------|----------|
| A | 170 mm | FC-RE960 |
| | 172,5 mm | FC-RE962 |
| | 175 mm | FC-RE964 |
| | 177,5 mm | FC-RE966 |
| | 180 mm | FC-RE968 |
| B | 170 mm | FC-RE961 |
| | 172,5 mm | FC-RE963 |
| | 175 mm | FC-RE965 |
| | 177,5 mm | FC-RE967 |
| | 180 mm | FC-RE969 |
| C | Z39 | FC-RE139 |
| | Z42 | FC-RE342 |
| D | Z52 for 39 | FC-RE752 |
| | Z52 for 42 | FC-RE852 |
| | Z53 for 39 | FC-RE553 |



CRANKSET

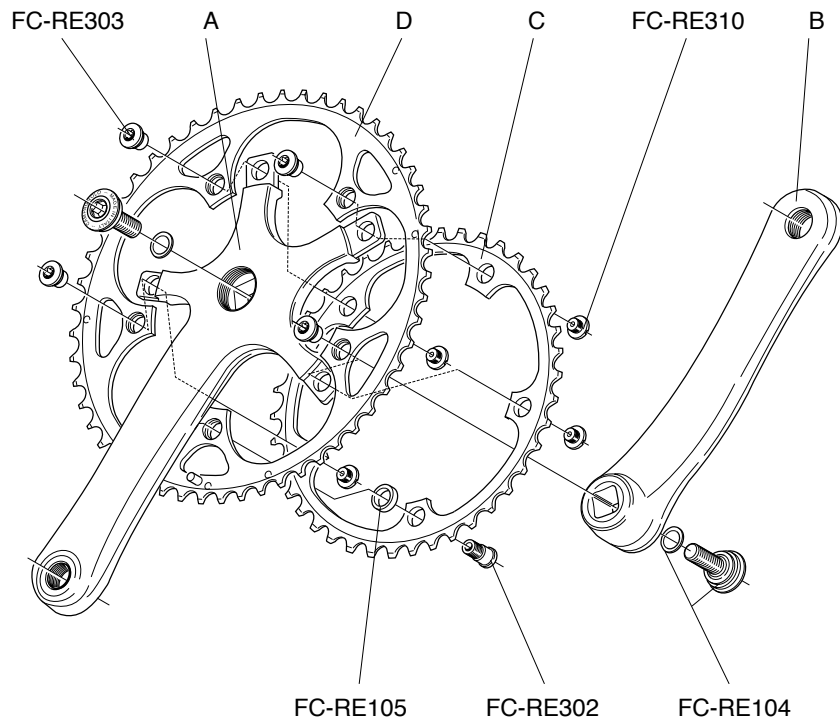
RECORD™
Carbon 10s
FC4-RE...C

| | | |
|----------|----------|-----------|
| A | 170 mm | FC-RE860C |
| | 172,5 mm | FC-RE862C |
| | 175 mm | FC-RE864C |

| | | |
|----------|----------|-----------|
| B | 170 mm | FC-RE861C |
| | 172,5 mm | FC-RE863C |
| | 175 mm | FC-RE865C |

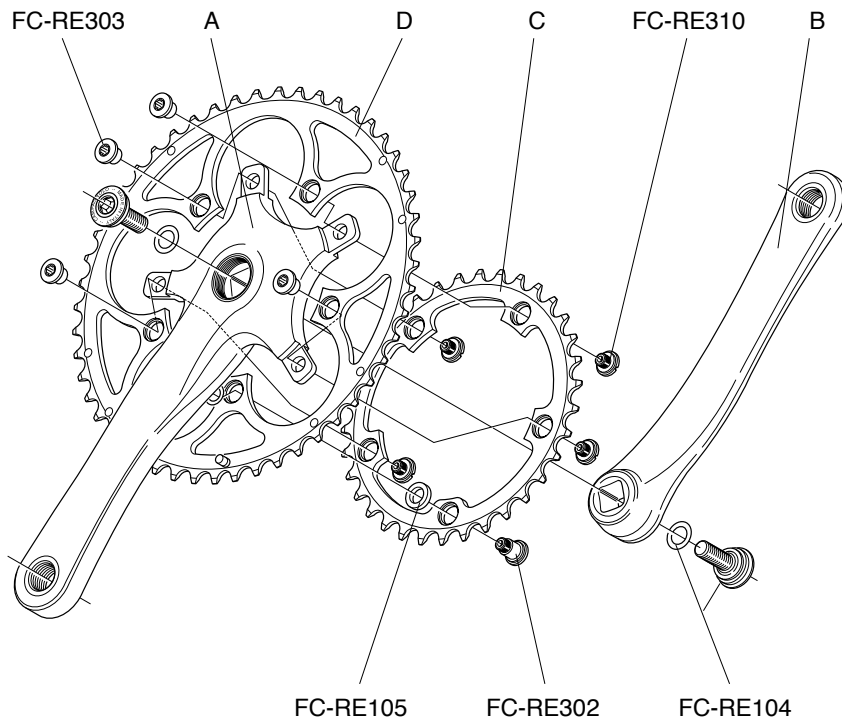
| | | |
|----------|-----|----------|
| C | Z39 | FC-RE139 |
| | Z42 | FC-RE342 |

| | | |
|----------|------------|----------|
| D | Z52 for 39 | FC-RE752 |
| | Z52 for 42 | FC-RE852 |
| | Z53 for 39 | FC-RE553 |



RECORD™
Carbon 10s CT™
FC5-RE...C

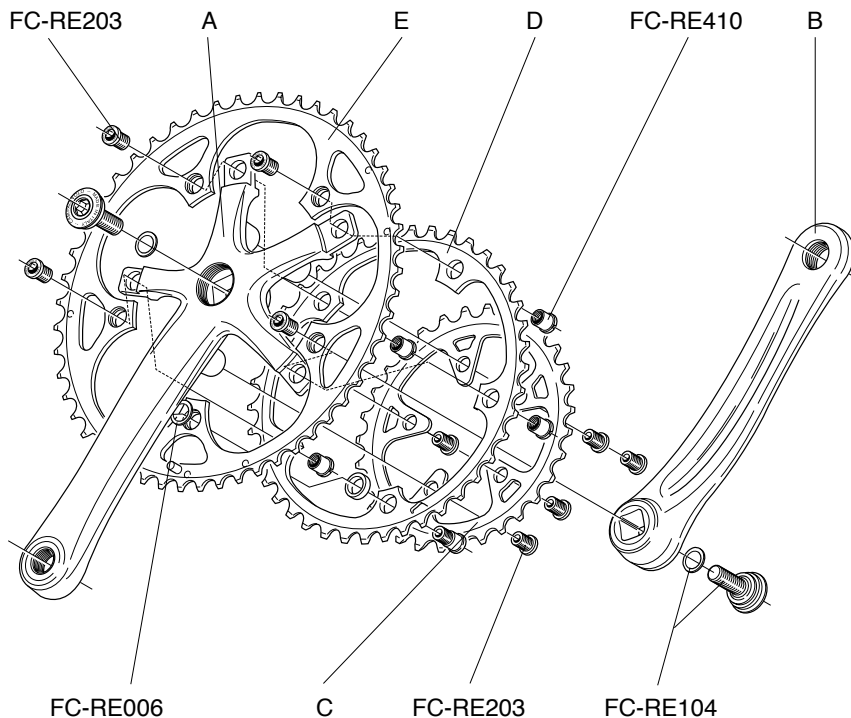
| | | |
|---|------------|-----------|
| A | 170 mm | FC-RE930C |
| | 172,5 mm | FC-RE932C |
| | 175 mm | FC-RE934C |
| B | 170 mm | FC-RE861C |
| | 172,5 mm | FC-RE863C |
| | 175 mm | FC-RE865C |
| C | Z34 | FC-RE034 |
| | Z36 | FC-RE036 |
| D | Z48 for 34 | FC-RE048 |
| | Z50 for 34 | FC-RE250 |
| | Z50 for 36 | FC-RE350 |



CRANKSET

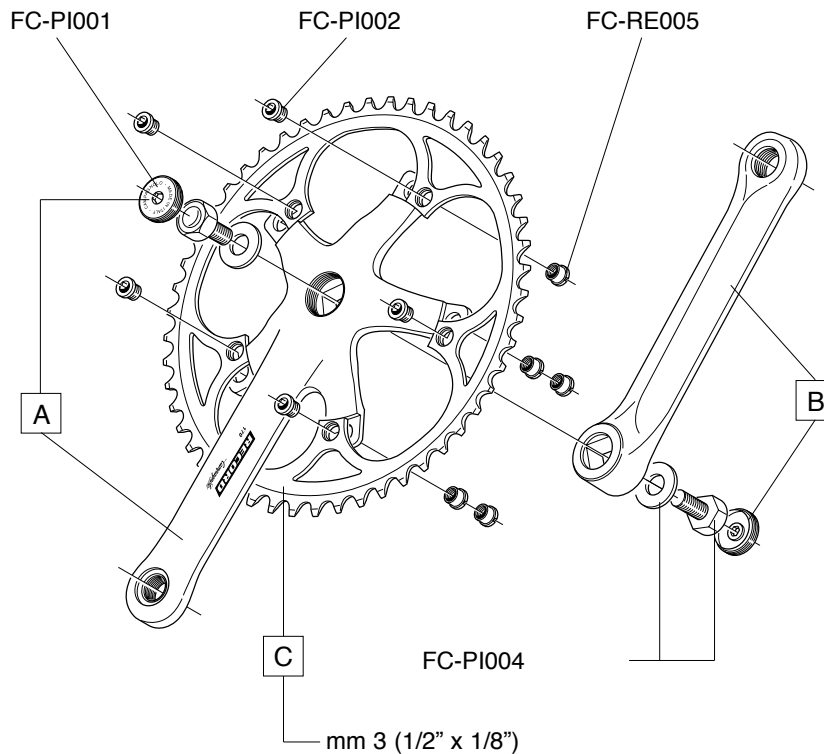
RECORD™
TRIPLE 10s
FC4-RE....X

| | | |
|----------|------------|----------|
| A | 170 mm | FC-RE970 |
| | 172,5 mm | FC-RE972 |
| | 175 mm | FC-RE974 |
| B | 170 mm | FC-RE971 |
| | 172,5 mm | FC-RE973 |
| | 175 mm | FC-RE975 |
| C | Z30 | FC-RE130 |
| D | Z40 for 30 | FC-RE140 |
| | Z42 for 30 | FC-RE642 |
| E | Z50 for 40 | FC-RE150 |
| | Z53 for 42 | FC-RE653 |



RECORD™
PISTA™
FC01-REPL...

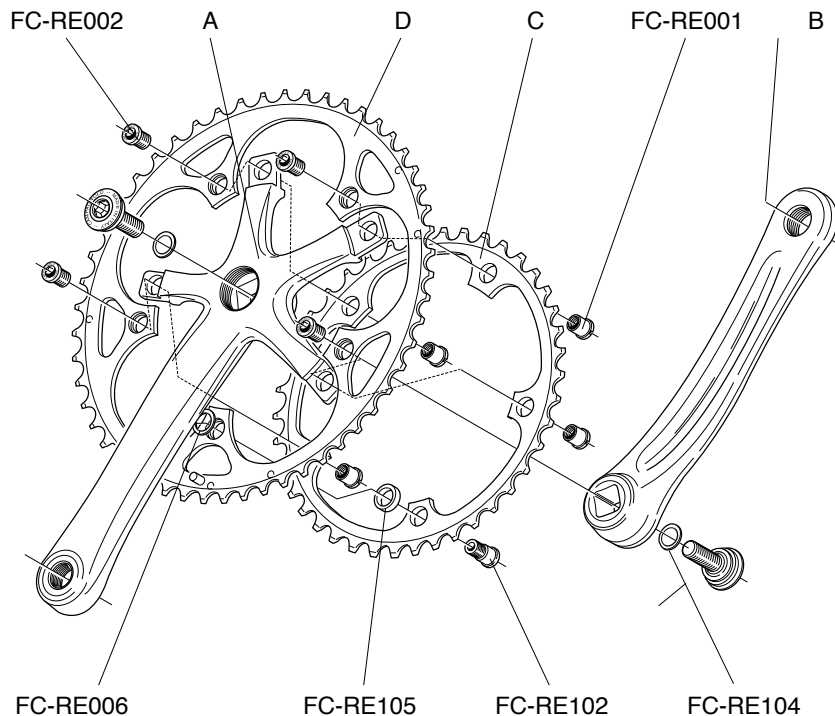
| | | |
|---|--------|----------|
| A | 165 mm | FC-PI365 |
| | 170 mm | FC-PI370 |
| B | 165 mm | FC-PI465 |
| | 170 mm | FC-PI470 |
| C | Z47 | FC-PI047 |
| | Z48 | FC-PI048 |
| | Z49 | FC-PI049 |
| | Z50 | FC-PI050 |
| | Z51 | FC-PI051 |
| | Z52 | FC-PI052 |



CRANKSET

CHORUS™ 10s **FC4-CH...X**

| | | |
|----------|------------|----------|
| A | 170 mm | FC-CH020 |
| | 172,5 mm | FC-CH022 |
| | 175 mm | FC-CH024 |
| B | 170 mm | FC-CH021 |
| | 172,5 mm | FC-CH023 |
| | 175 mm | FC-CH025 |
| C | Z39 | FC-RE039 |
| | Z42 | FC-RE142 |
| D | Z52 for 39 | FC-RE652 |
| | Z52 for 42 | FC-RE552 |
| | Z53 for 39 | FC-RE453 |



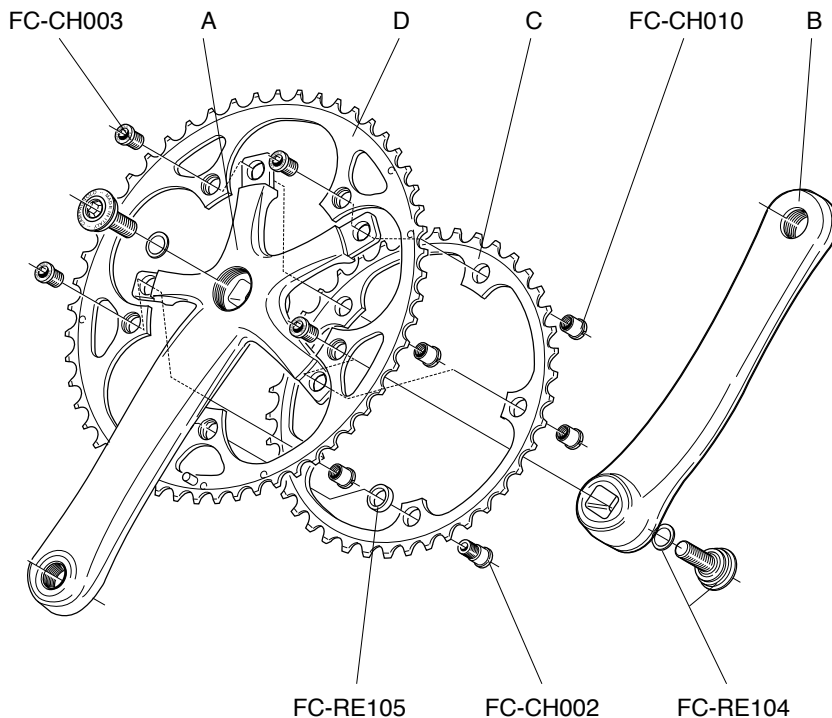
CHORUS™
Carbon 10s
FC4-CH...C

| | | |
|----------|----------|-----------|
| A | 170 mm | FC-CH870C |
| | 172,5 mm | FC-CH872C |
| | 175 mm | FC-CH874C |

| | | |
|----------|----------|-----------|
| B | 170 mm | FC-CH871C |
| | 172,5 mm | FC-CH873C |
| | 175 mm | FC-CH875C |

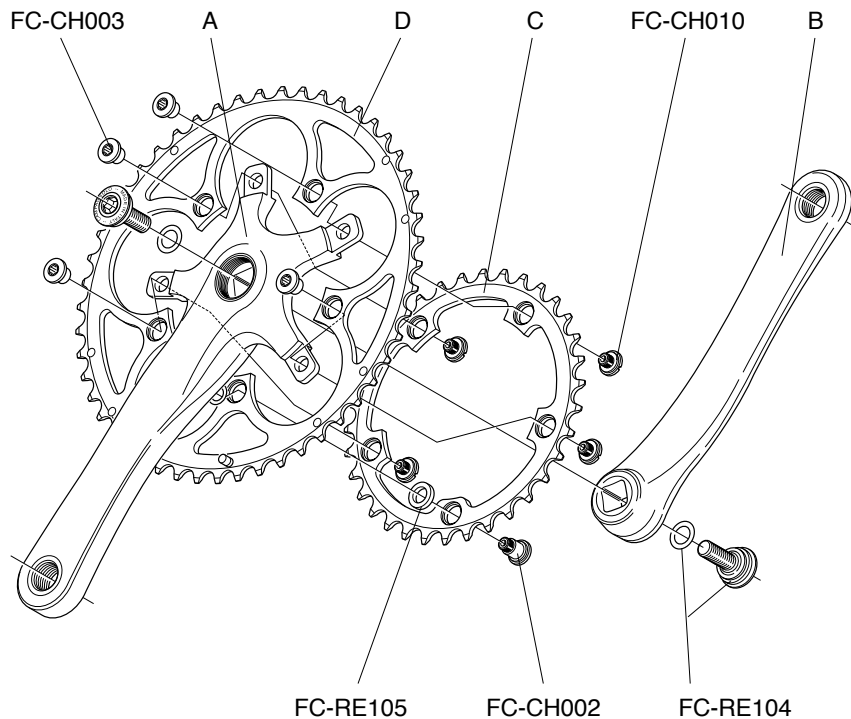
| | | |
|----------|-----|----------|
| C | Z39 | FC-RE039 |
| | Z42 | FC-RE142 |

| | | |
|----------|------------|----------|
| D | Z52 for 39 | FC-RE652 |
| | Z52 for 42 | FC-RE552 |
| | Z53 for 39 | FC-RE453 |



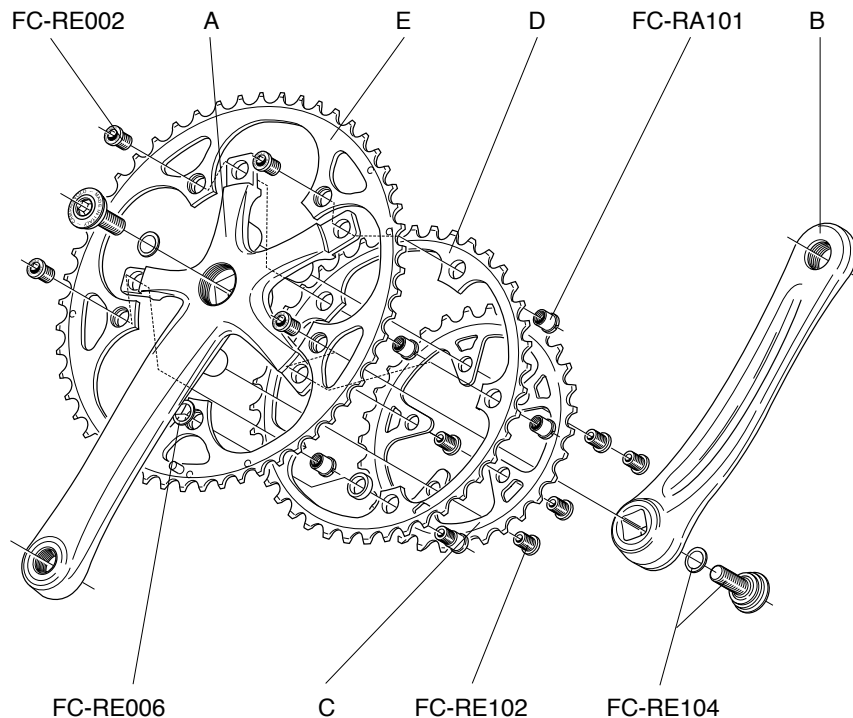
CHORUS™
Carbon 10s CT
FC5-CH...C

| | | |
|---|------------|-----------|
| A | 170 mm | FC-CH940C |
| | 172,5 mm | FC-CH942C |
| | 175 mm | FC-CH944C |
| B | 170 mm | FC-CH871C |
| | 172,5 mm | FC-CH873C |
| | 175 mm | FC-CH875C |
| C | Z34 | FC-CH134 |
| | Z36 | FC-CH036 |
| D | Z48 for 34 | FC-CH048 |
| | Z50 for 34 | FC-CH050 |
| | Z50 for 36 | FC-CH150 |



CHORUS™
TRIPLE 10s
FC4-CH....X

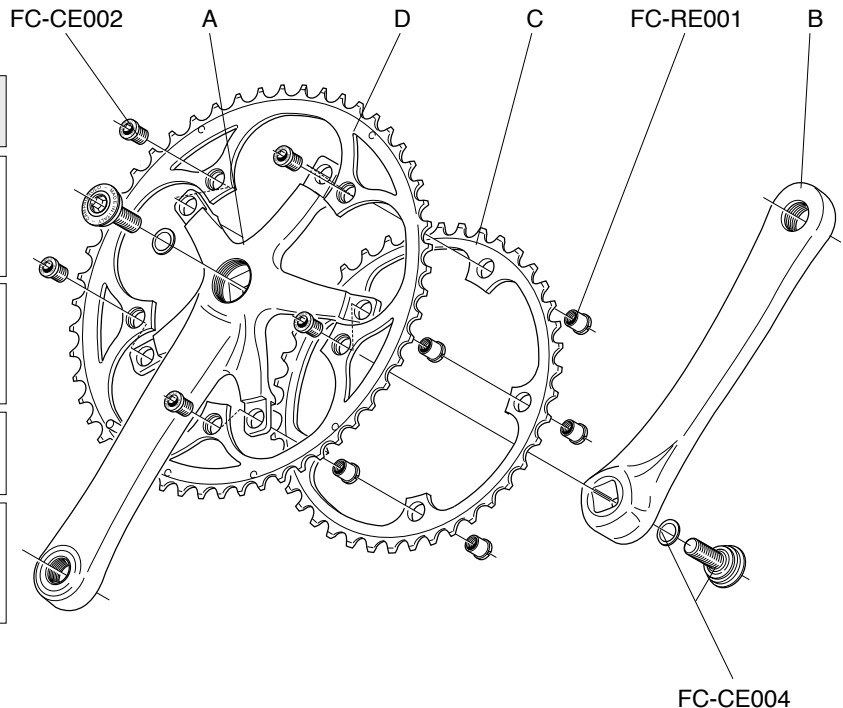
| | | |
|----------|-------------------|-----------------|
| A | 170 mm | FC-CH030 |
| | 172,5 mm | FC-CH032 |
| | 175 mm | FC-CH034 |
| B | 170 mm | FC-CH031 |
| | 172,5 mm | FC-CH033 |
| | 175 mm | FC-CH035 |
| C | Z30 | FC-RE030 |
| D | Z40 for 30 | FC-RE040 |
| | Z42 for 30 | FC-RE442 |
| E | Z50 for 40 | FC-RE050 |
| | Z53 for 42 | FC-RE053 |



CENTAUR™ 10s
FC4-CE...X

CENTAUR™ CENTURY GREY™ 10s
FC4-CEG...X

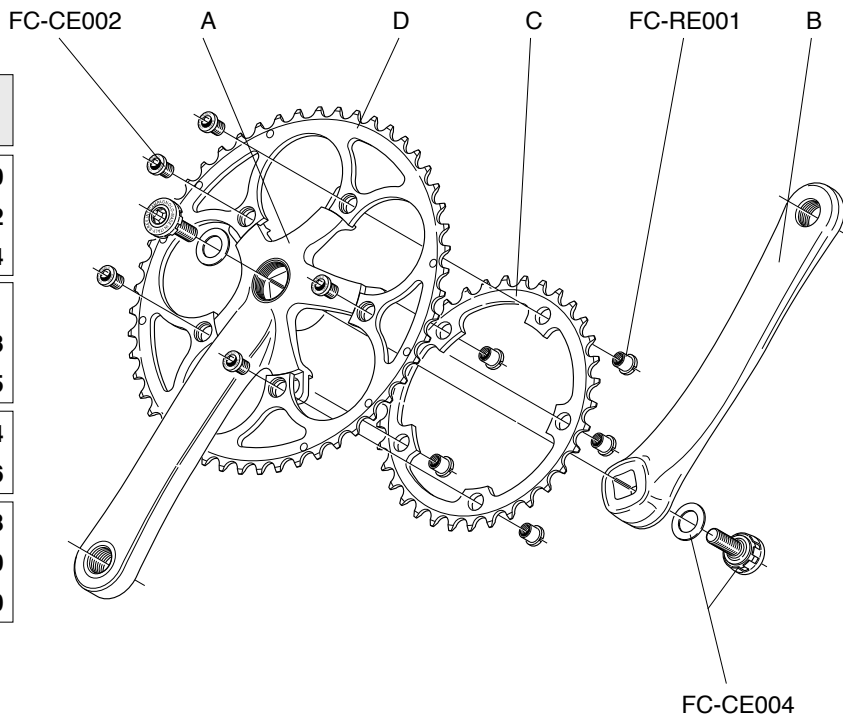
| | | CENTAUR™ | CENTAUR™ C-GREY |
|----------|------------|----------|--------------------|
| A | 170 mm | FC-CE920 | FC-CEG910 |
| | 172,5 mm | FC-CE922 | FC-CEG912 |
| | 175 mm | FC-CE924 | FC-CEG914 |
| B | 170 mm | FC-CE921 | FC-CEG911 |
| | 172,5 mm | FC-CE923 | FC-CEG913 |
| | 175 mm | FC-CE925 | FC-CEG915 |
| C | Z39 | FC-RE039 | FC-CEG039 |
| | Z42 | FC-RE142 | FC-CEG042 |
| D | Z52 for 39 | FC-CH252 | FC-CEG052 |
| | Z52 for 42 | FC-CH452 | FC-CEG152 |
| | Z53 for 39 | FC-CH253 | FC-CEG053 |



CENTAUR™ CT™ 10s
FC6-CE...

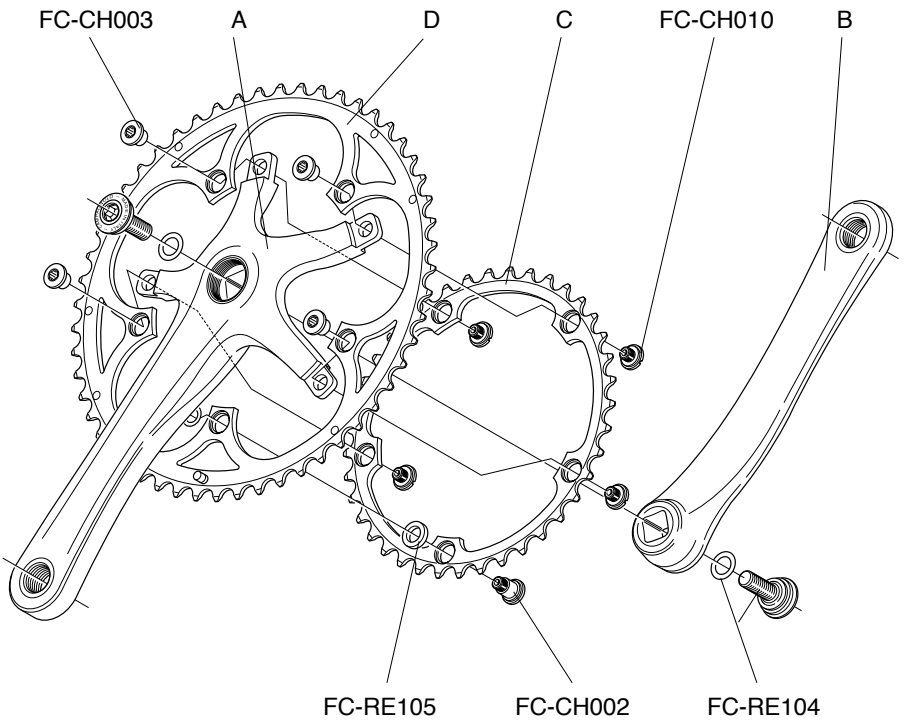
CENTAUR™ CENTURY GREY CT™ 10s
FC6-CEG...

| | | CENTAUR™ | CENTAUR™ C-GREY |
|----------|------------|----------|--------------------|
| A | 170 mm | FC-CE200 | FC-CEG190 |
| | 172,5 mm | FC-CE202 | FC-CEG192 |
| | 175 mm | FC-CE204 | FC-CEG194 |
| B | 170 mm | FC-CE921 | FC-CEG911 |
| | 172,5 mm | FC-CE923 | FC-CEG913 |
| | 175 mm | FC-CE925 | FC-CEG915 |
| C | Z39 | FC-CE034 | FC-CEG034 |
| | Z42 | FC-CE036 | FC-CEG036 |
| D | Z52 for 39 | FC-CE048 | FC-CEG048 |
| | Z52 for 42 | FC-CE150 | FC-CEG150 |
| | Z53 for 39 | FC-CE250 | FC-CEG250 |



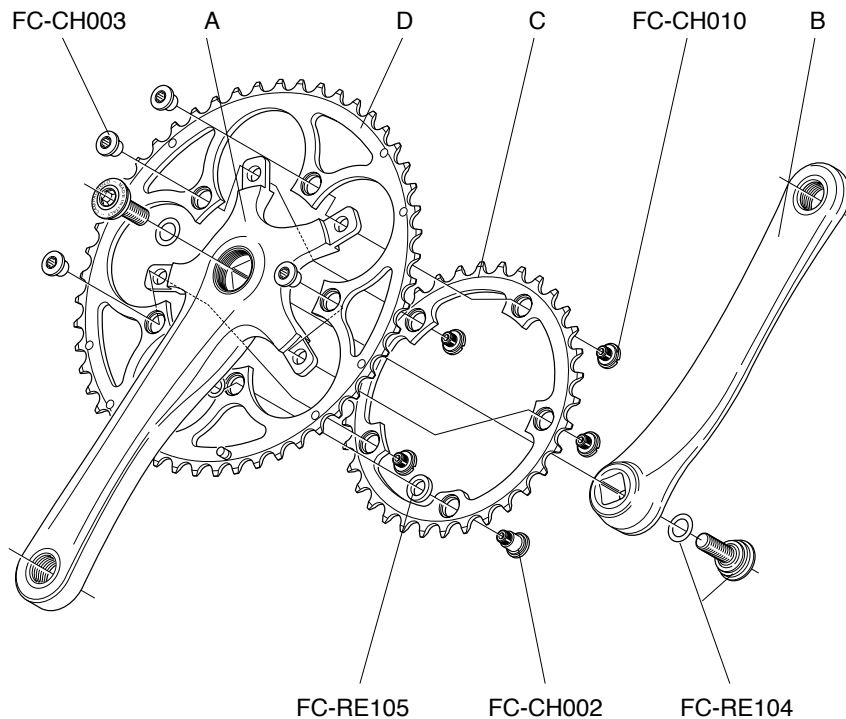
CENTAUR™
Carbon 10s
FC5-CE...C

| | | |
|----------|------------|-----------|
| A | 170 mm | FC-CE992C |
| | 172,5 mm | FC-CE994C |
| | 175 mm | FC-CE996C |
| B | 170 mm | FC-CE993C |
| | 172,5 mm | FC-CE995C |
| | 175 mm | FC-CE997C |
| C | Z39 | FC-RE039 |
| | Z42 | FC-RE142 |
| D | Z52 for 39 | FC-RE652 |
| | Z52 for 42 | FC-RE552 |
| | Z53 for 39 | FC-RE453 |



CENTAUR™
Carbon 10s CT™
FC5-CE...C

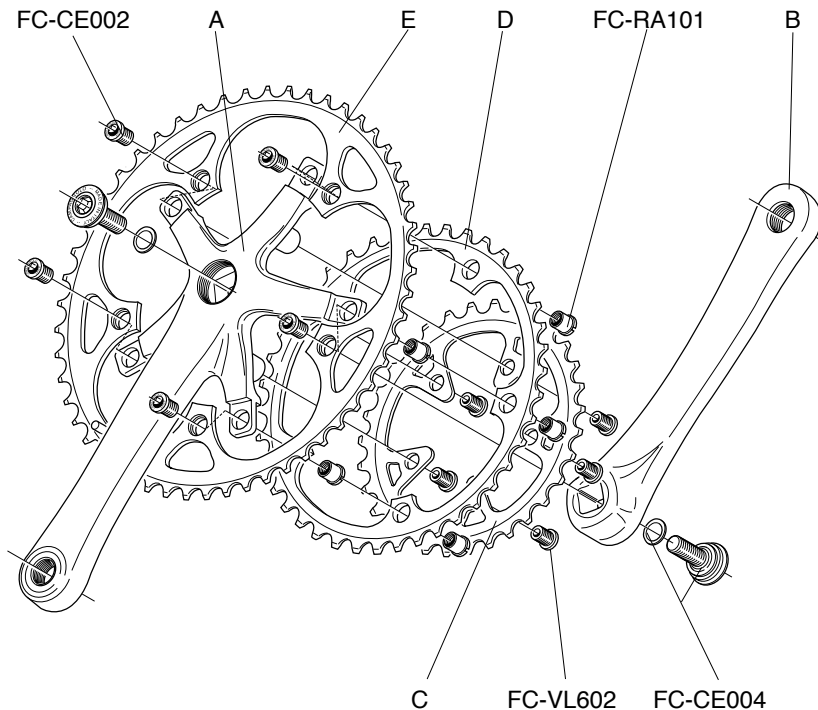
| | | |
|----------|------------|-----------|
| A | 170 mm | FC-CE040C |
| | 172,5 mm | FC-CE042C |
| | 175 mm | FC-CE044C |
| B | 170 mm | FC-CE993C |
| | 172,5 mm | FC-CE995C |
| | 175 mm | FC-CE997C |
| C | Z34 | FC-CH134 |
| | Z36 | FC-CH036 |
| D | Z48 for 34 | FC-CH048 |
| | Z50 for 34 | FC-CH050 |
| | Z50 for 36 | FC-CH150 |



CENTAUR™ TRIPLE 10s
FC4-CE....X

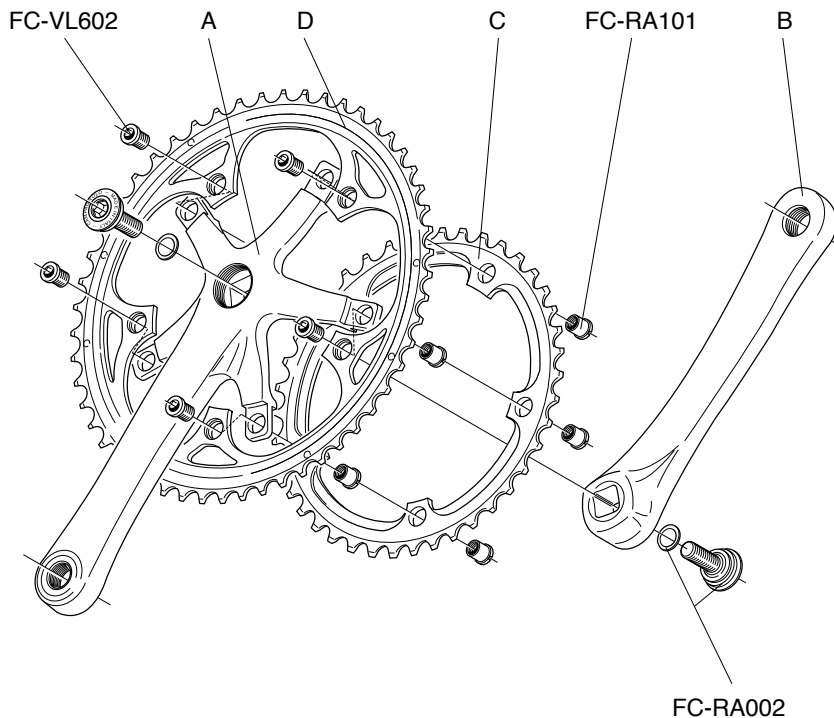
CENTAUR™ TRIPLE CENTURY GREY™ 10s
FC4-CEG....X

| | | CENTAUR™ | CENTAUR™ C-GREY |
|---|------------|----------|--------------------|
| A | 170 mm | FC-CE950 | FC-CEG916 |
| | 175 mm | FC-CE952 | FC-CEG918 |
| B | 170 mm | FC-CE951 | FC-CEG917 |
| | 175 mm | FC-CE953 | FC-CEG919 |
| C | Z30 | FC-RE030 | FC-CEG030 |
| D | Z40 for 30 | FC-CE040 | FC-CEG040 |
| | Z42 for 30 | FC-CE042 | FC-CEG142 |
| E | Z50 for 40 | FC-CE050 | FC-CEG050 |
| | Z53 for 42 | FC-CE053 | FC-CEG153 |



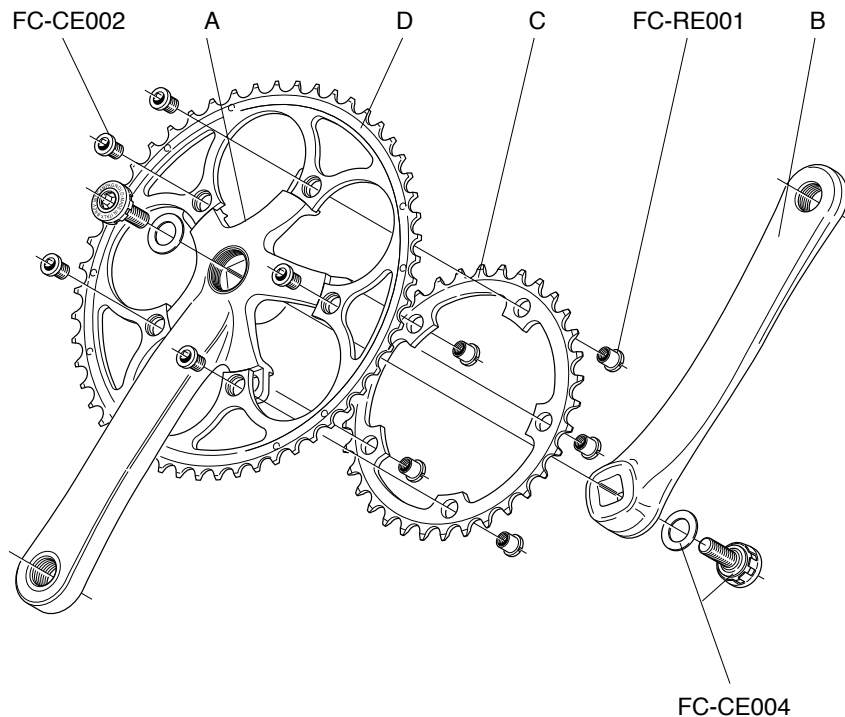
VELOCE™ 10s
FC4-VL...X

| | | |
|----------|------------|----------|
| A | 170 mm | FC-VL852 |
| | 172,5 mm | FC-VL854 |
| | 175 mm | FC-VL856 |
| B | 170 mm | FC-VL853 |
| | 172,5 mm | FC-VL855 |
| | 175 mm | FC-VL857 |
| C | Z39 | FC-VL039 |
| | Z42 | FC-VL242 |
| D | Z52 for 42 | FC-VL252 |
| | Z53 for 39 | FC-VL053 |



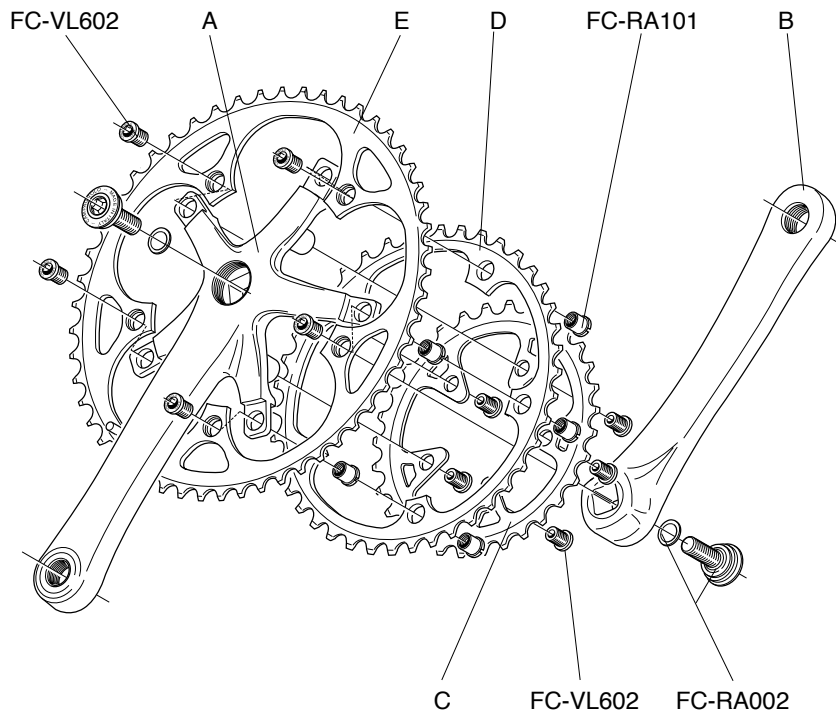
VELOCE™
10s CT™
FC6-VL...

| | | |
|---|------------|----------|
| A | 170 mm | FC-VL206 |
| | 172,5 mm | FC-VL208 |
| | 175 mm | FC-VL210 |
| B | 170 mm | FC-VL853 |
| | 172,5 mm | FC-VL855 |
| | 175 mm | FC-VL857 |
| C | Z34 | FC-VL034 |
| D | Z48 for 34 | FC-VL048 |
| | Z50 for 34 | FC-VL050 |



VELOCE™ TRIPLE
10s
FC4-VL....X

| | | |
|---|------------|----------|
| A | 170 mm | FC-VL880 |
| | 175 mm | FC-VL882 |
| B | 170 mm | FC-VL881 |
| | 175 mm | FC-VL883 |
| C | Z30 | FC-VL030 |
| D | Z42 for 30 | FC-VL342 |
| E | Z52 for 42 | FC-VL252 |



CRANKSET

MIRAGE™ BLACK

95

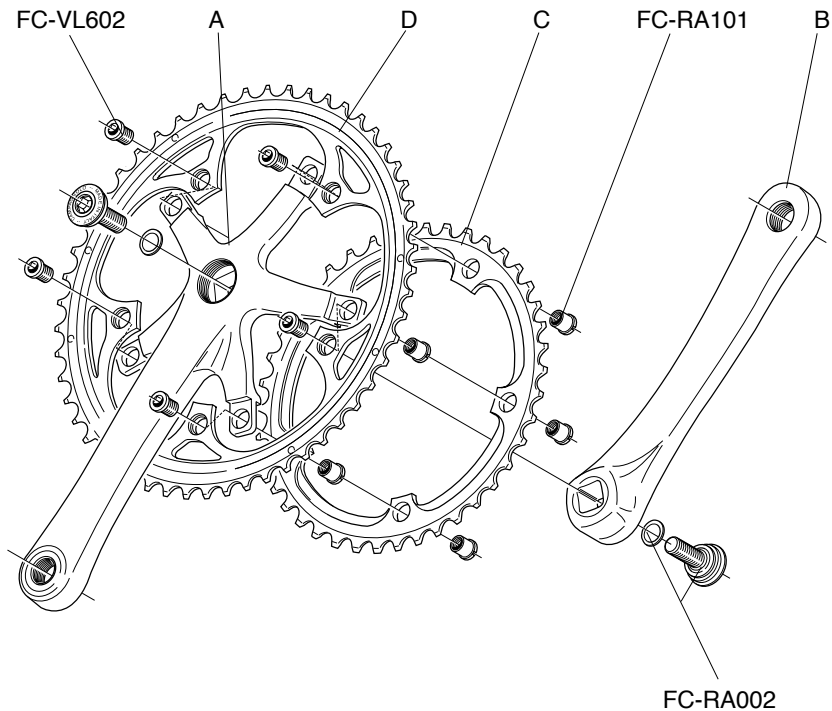
FC4-MIB...

| | | |
|---|----------|-----------|
| A | 170 mm | FC-MIB894 |
| | 172,5 mm | FC-MIB896 |
| | 175 mm | FC-MIB898 |

| | | |
|---|----------|-----------|
| B | 170 mm | FC-MIB895 |
| | 172,5 mm | FC-MIB897 |
| | 175 mm | FC-MIB899 |

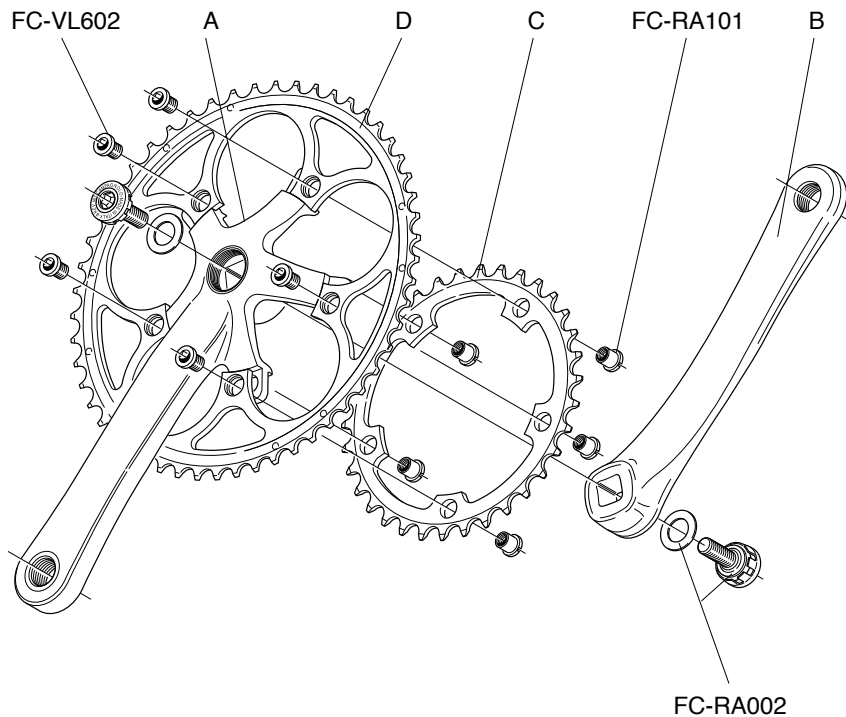
| | | |
|---|-----|-----------|
| C | Z39 | FC-MIB039 |
| | Z42 | FC-MIB042 |

| | | |
|---|------------|-----------|
| D | Z52 for 42 | FC-MIB052 |
| | Z53 for 39 | FC-MIB053 |



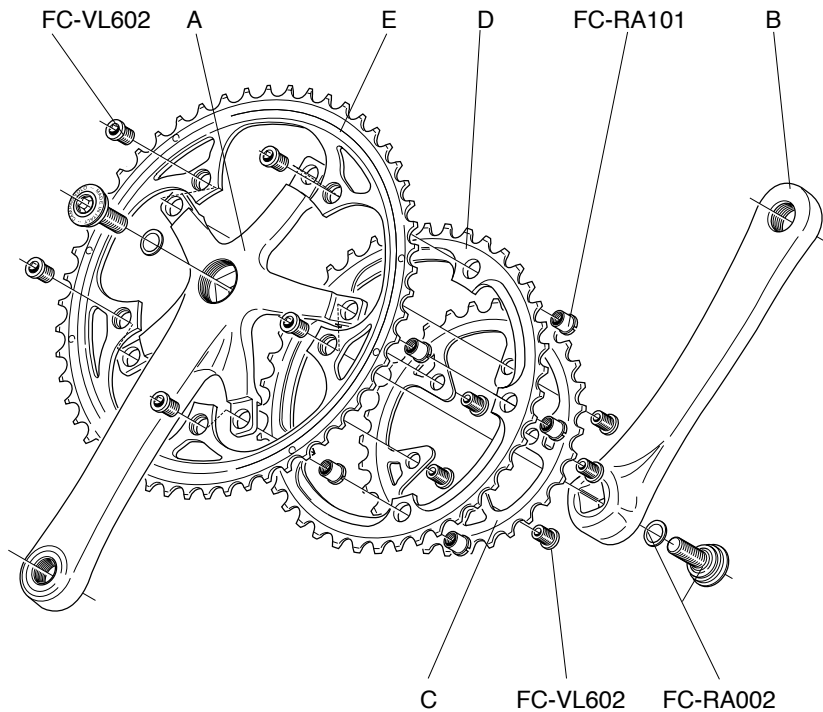
MIRAGE™
9s CT™
FC6-MIB...

| | | |
|---|------------|-----------|
| A | 170 mm | FC-MIB212 |
| | 172,5 mm | FC-MIB214 |
| | 175 mm | FC-MIB216 |
| B | 170 mm | FC-MIB895 |
| | 172,5 mm | FC-MIB897 |
| | 175 mm | FC-MIB899 |
| C | Z34 | FC-MIB034 |
| D | Z48 for 34 | FC-MIB048 |
| | Z50 for 34 | FC-MIB050 |



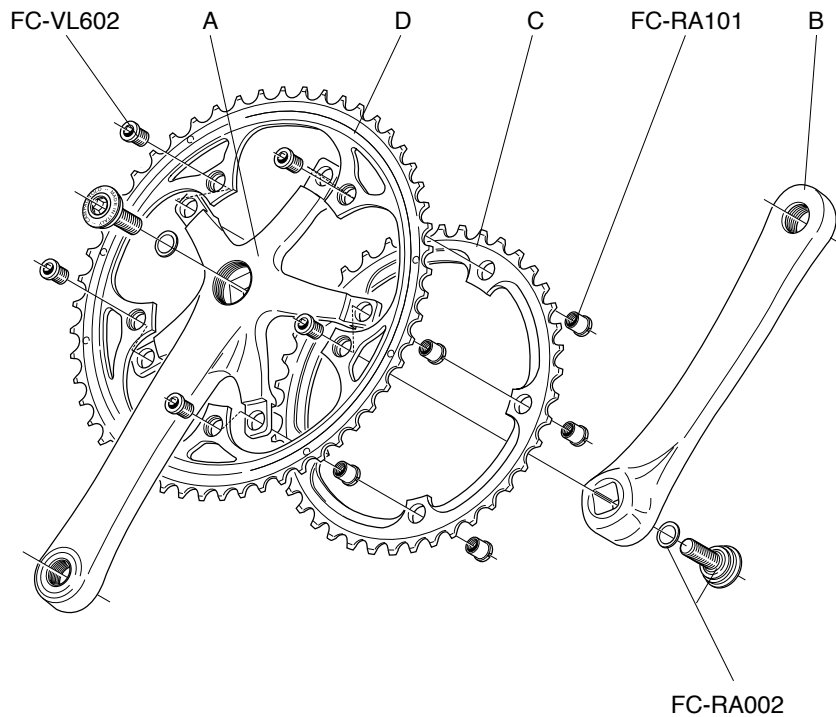
**MIRAGE™ TRIPLE
BLACK 95
FC4-MIB....**

| | | |
|---|------------|-----------|
| A | 170 mm | FC-MIB900 |
| | 175 mm | FC-MIB902 |
| B | 170 mm | FC-MIB901 |
| | 175 mm | FC-MIB903 |
| C | Z30 | FC-MIB030 |
| D | Z42 for 30 | FC-MIB142 |
| E | Z52 for 42 | FC-MIB052 |



XENON™ 9s
FC02-XE...

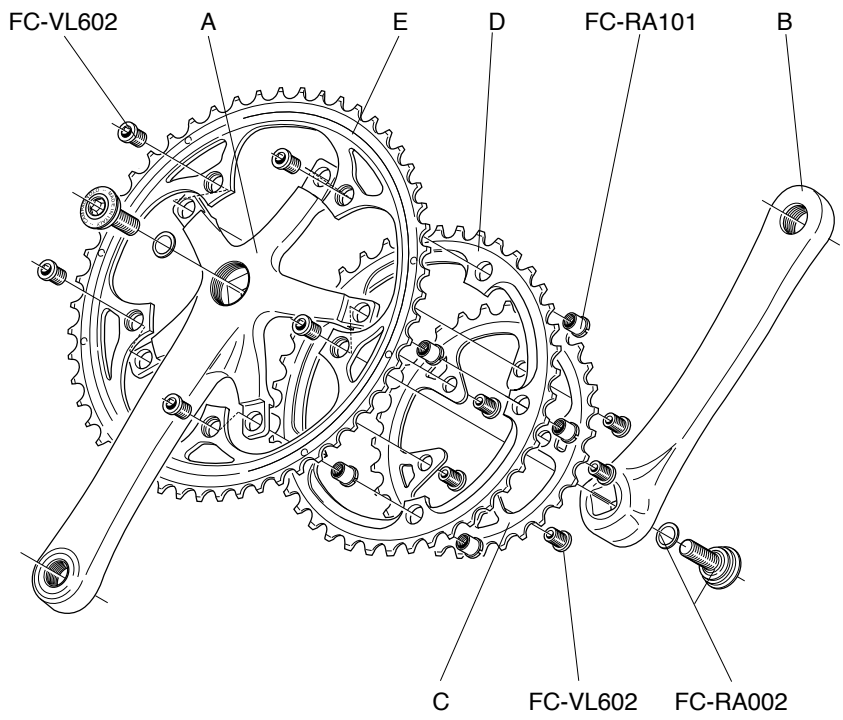
| | | |
|---|------------|----------|
| A | 170 mm | FC-XE800 |
| | 175 mm | FC-XE804 |
| B | 170 mm | FC-XE801 |
| | 175 mm | FC-XE805 |
| C | Z39 | FC-MI139 |
| D | Z52 for 39 | FC-XE052 |



CRANKSET

XENON™
TRIPLE 9s
FC02-XE....

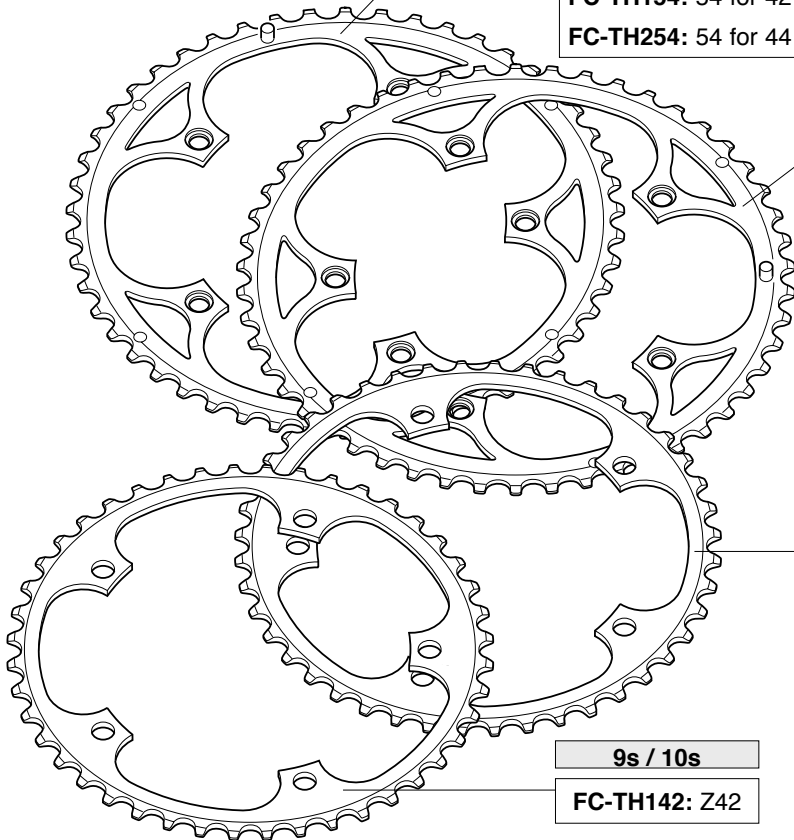
| | | |
|---|------------|----------|
| A | 170 mm | FC-XE806 |
| | 175 mm | FC-XE808 |
| B | 170 mm | FC-XE807 |
| | 175 mm | FC-XE809 |
| C | Z30 | FC-MI030 |
| D | Z42 for 30 | FC-XE142 |
| E | Z52 for 42 | FC-XE252 |



**TIME TRIAL™
CHAINRINGS**

| 9s | RECORD™ 10s | CHORUS™ 10s |
|---------------------|-----------------------|-----------------------|
| FC-TH155: 55 for 42 | FC-RETH155: 55 for 42 | FC-CHTH155: 55 for 42 |
| FC-TH255: 55 for 44 | FC-RETH255: 55 for 44 | FC-CHTH255: 55 for 44 |

| 9s | RECORD™ 10s | CHORUS™ 10s |
|---------------------|-----------------------|-----------------------|
| FC-TH154: 54 for 42 | FC-RETH154: 54 for 42 | FC-CHTH154: 54 for 42 |
| FC-TH254: 54 for 44 | FC-RETH254: 54 for 44 | FC-CHTH254: 54 for 44 |



9s / 10s
FC-TH144: Z44

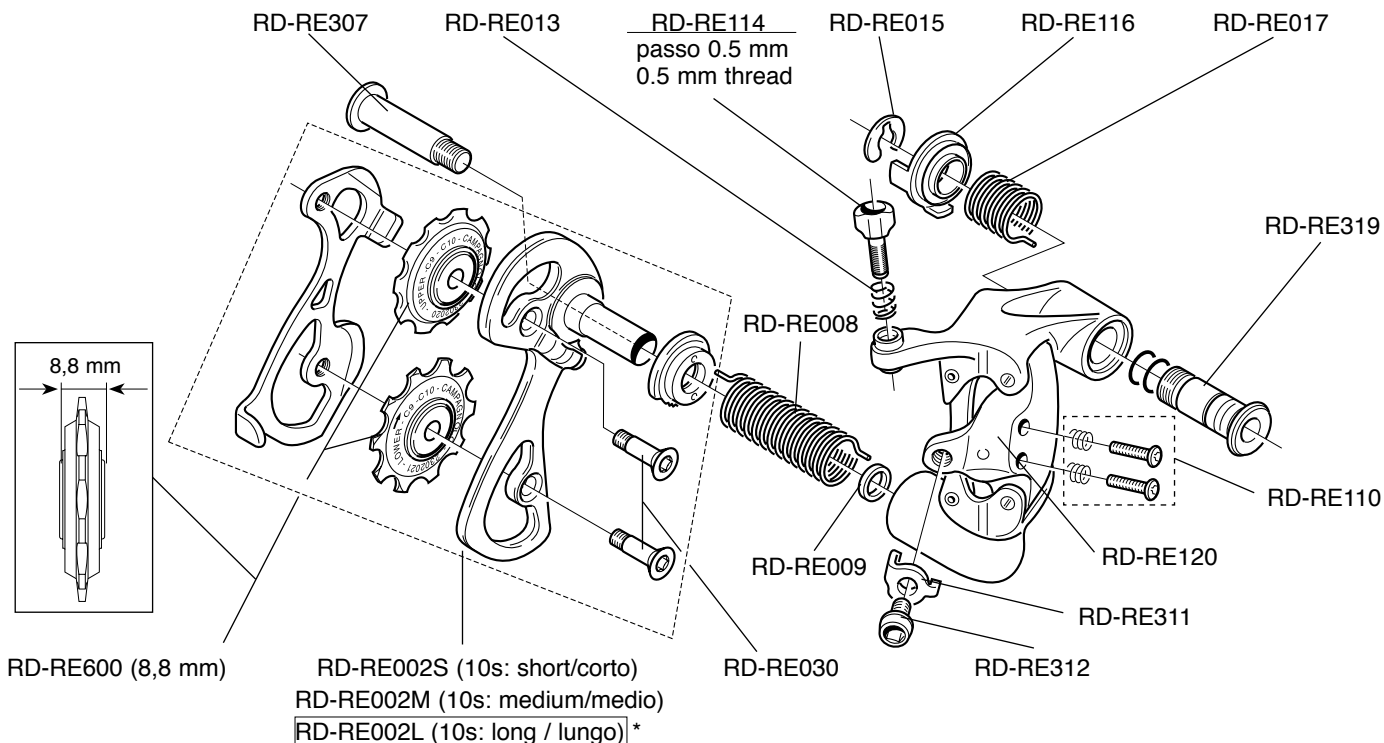
9s / 10s
FC-TH142: Z42

RECORD™ 10s

RD4-REXS

RD4-REXM

RD4-REXL



* solo per RD4-REXL - non compatibile con RD4-REXS e RD4-REXM

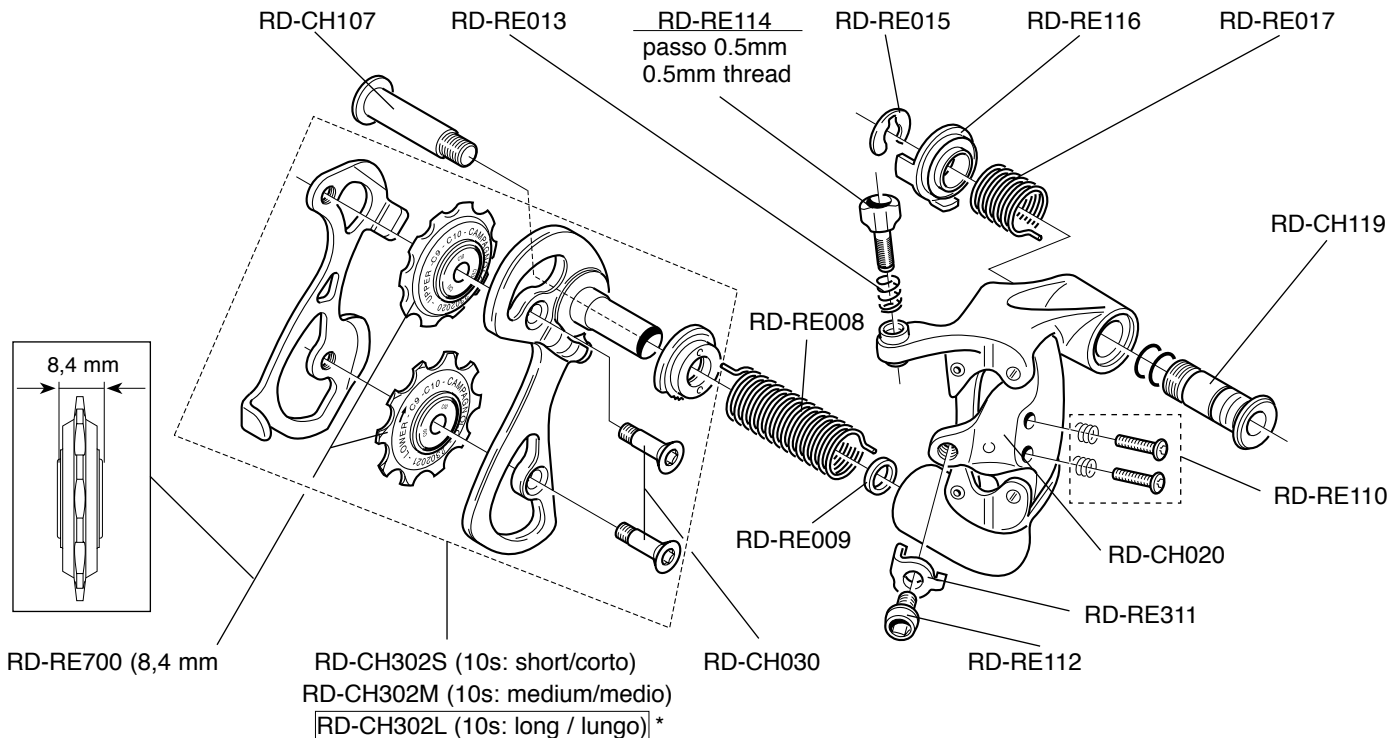
* only for RD4-REXL - not compatible with RD4-REXS and RD4-REXM

CHORUS™ 10s

RD4-CHXS

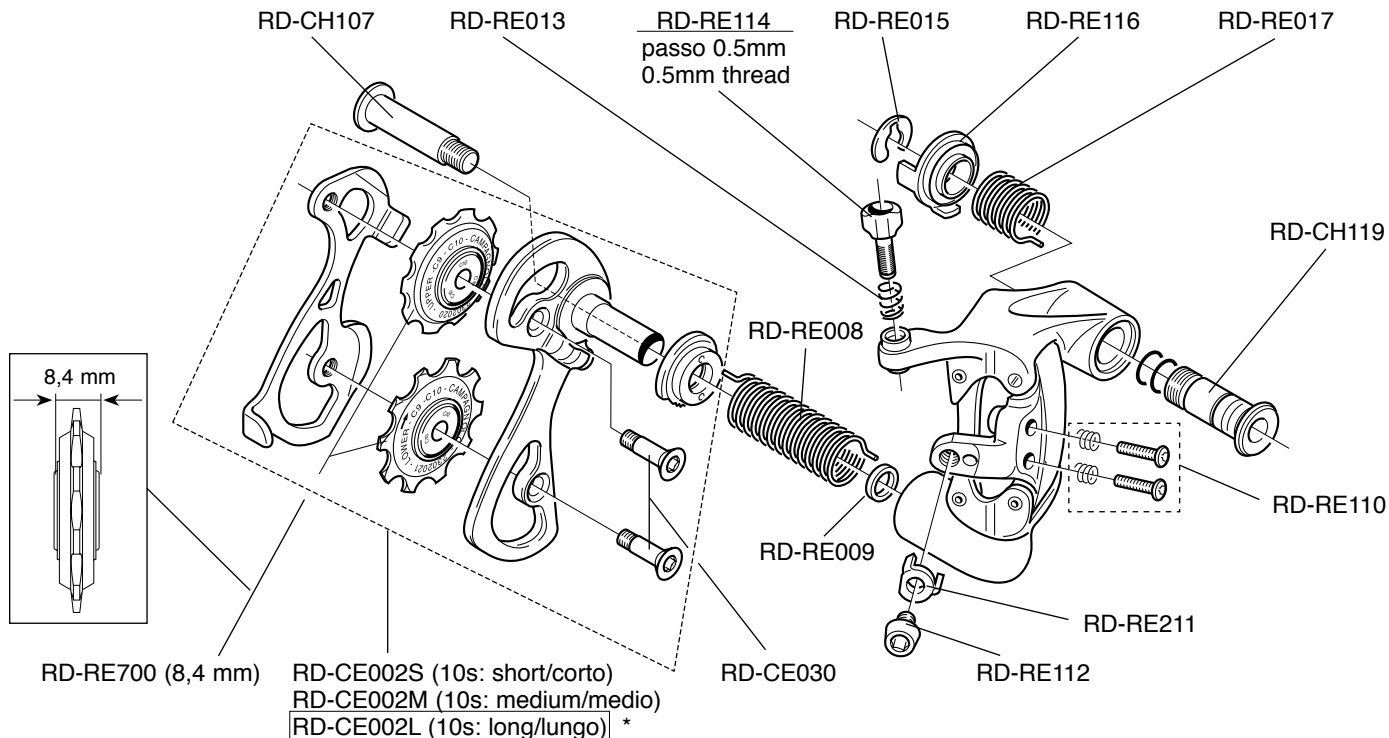
RD4-CHXM

RD4-CHXL



* solo per RD4-CHXL - non compatibile con RD4-CHXS e RD4-CHXM
* only for RD4-CHXL - not compatible with RD4-CHXS and RD4-CHXM

CENTAUR™ 10s
RD4-CEXS
RD4-CEXM
RD4-CEXL



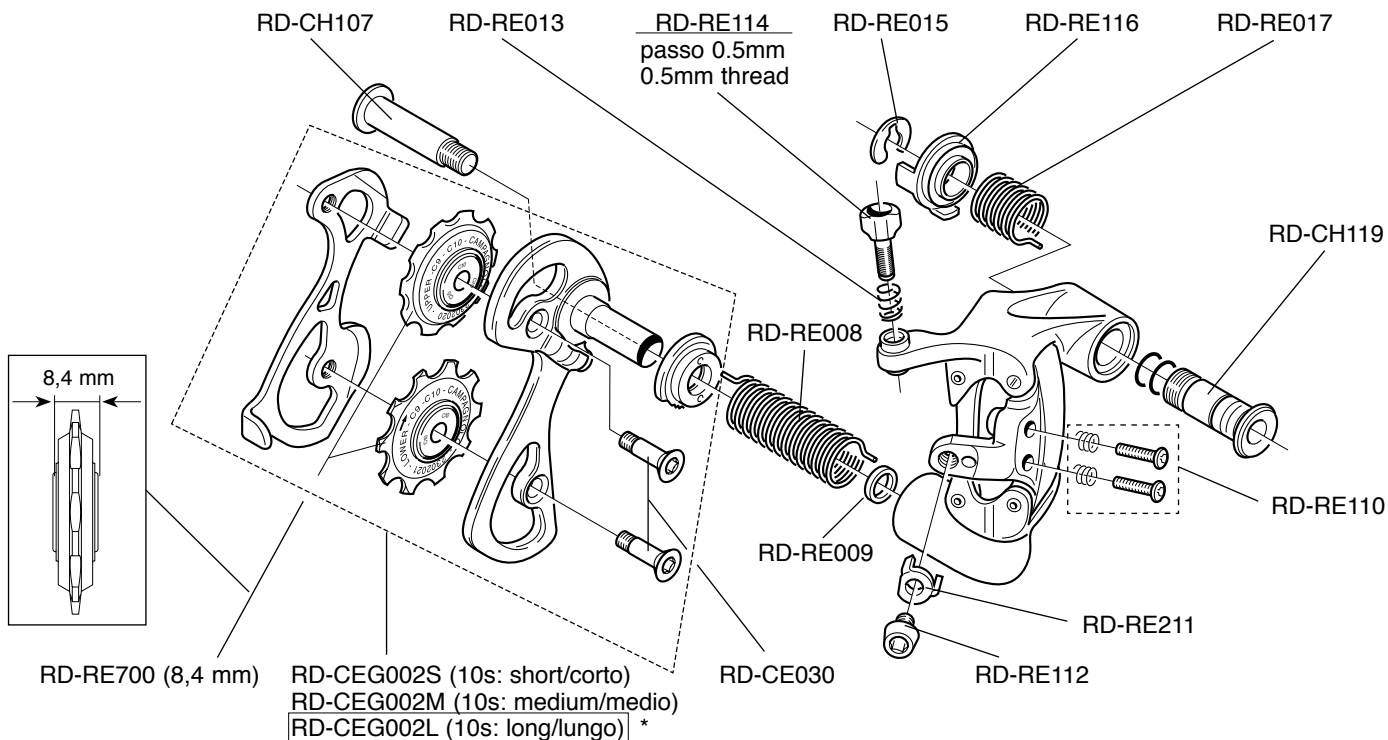
* solo per RD4-CEXL - non compatibile con RD4-CEXS e RD4-CEXM
 * only for RD4-CEXL - not compatible with RD4-CEXS and RD4-CEXM

CENTAUR™ CENTURY GREY 10s

RD4-CEGXS

RD4-CEGXM

RD4-CEGXL



* solo per RD4-CEGXL - non compatibile con RD4-CEGXS e RD4-CEGXM

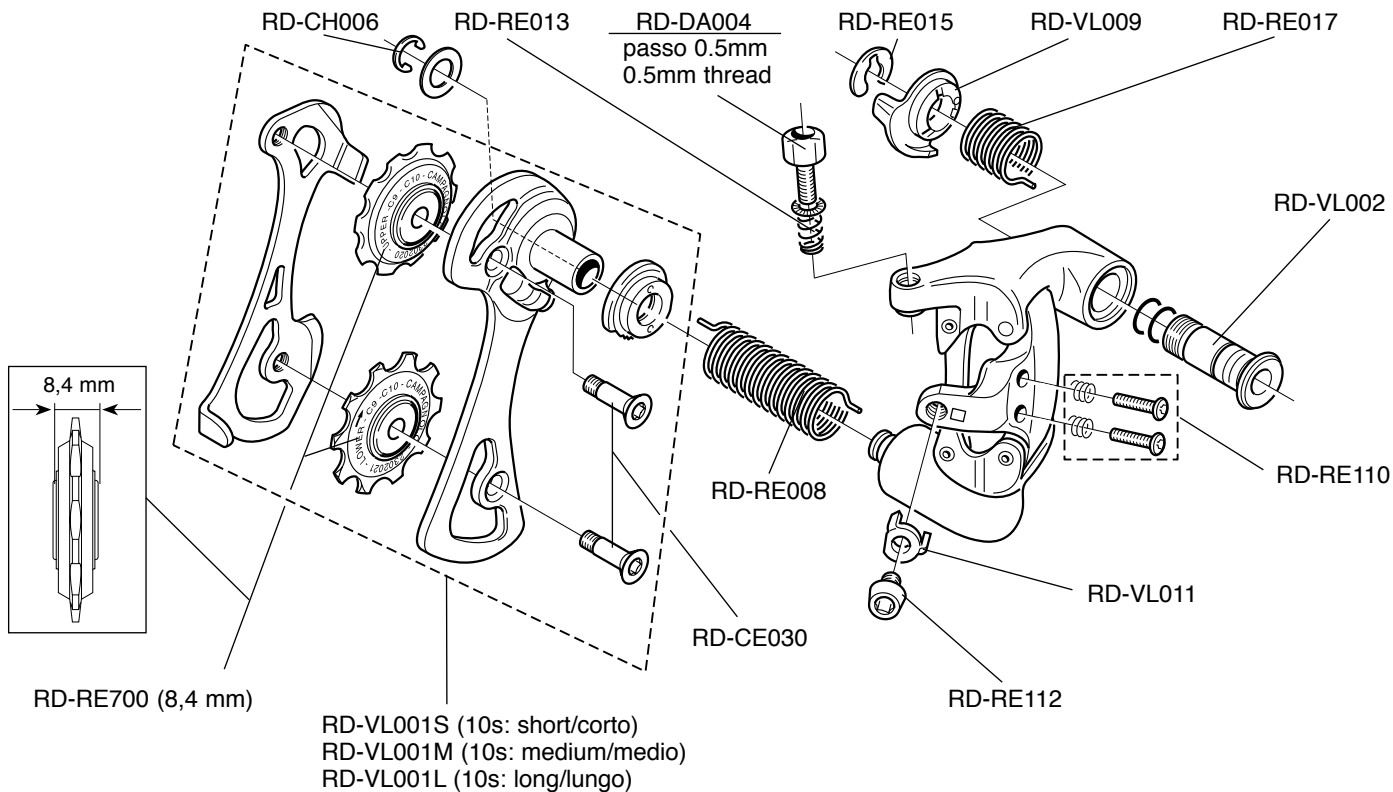
* only for RD4-CEGXL - not compatible with RD4-CEGXS and RD4-CEGXM

VELOCE™ 10s

RD4-VLXS

RD4-VLXM

RD4-VLXL

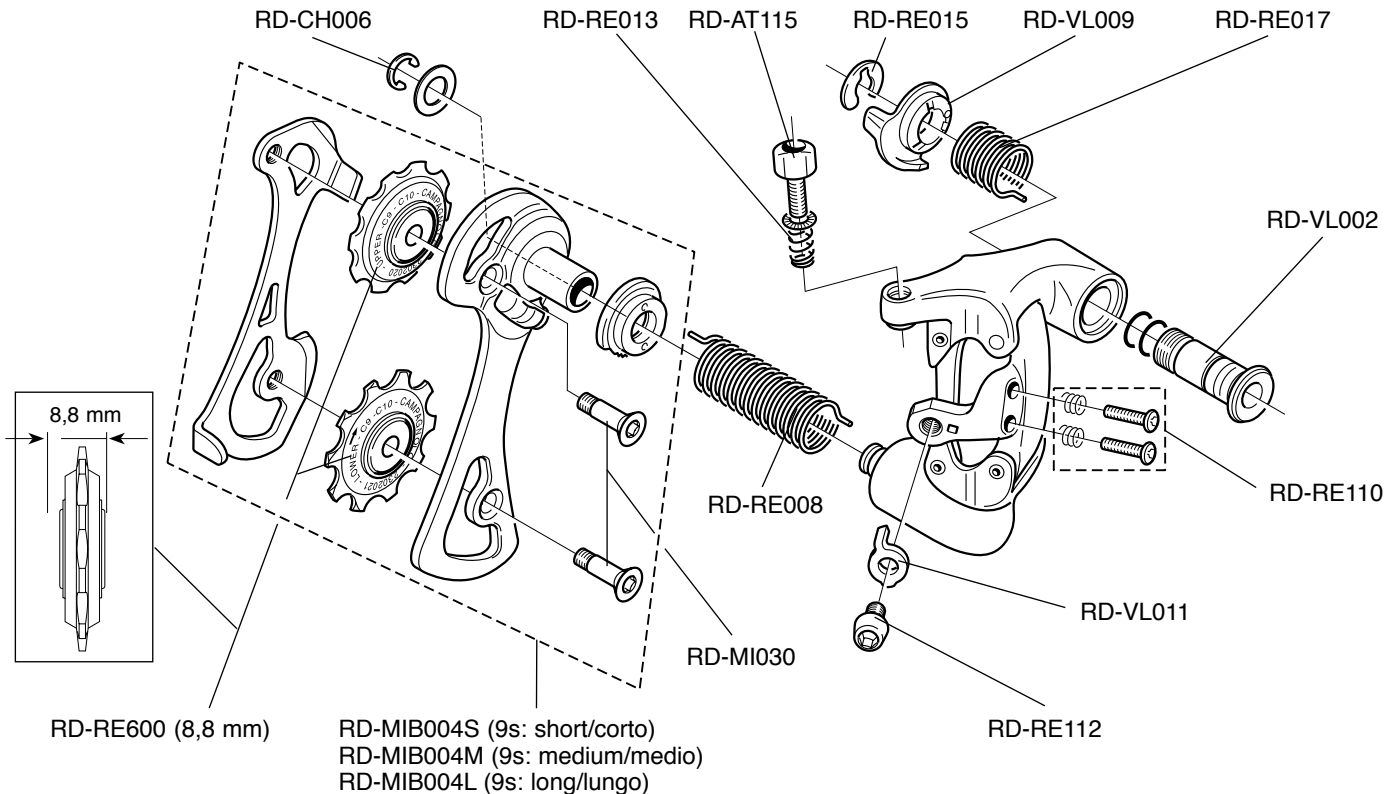


MIRAGE™ BLACK 9s

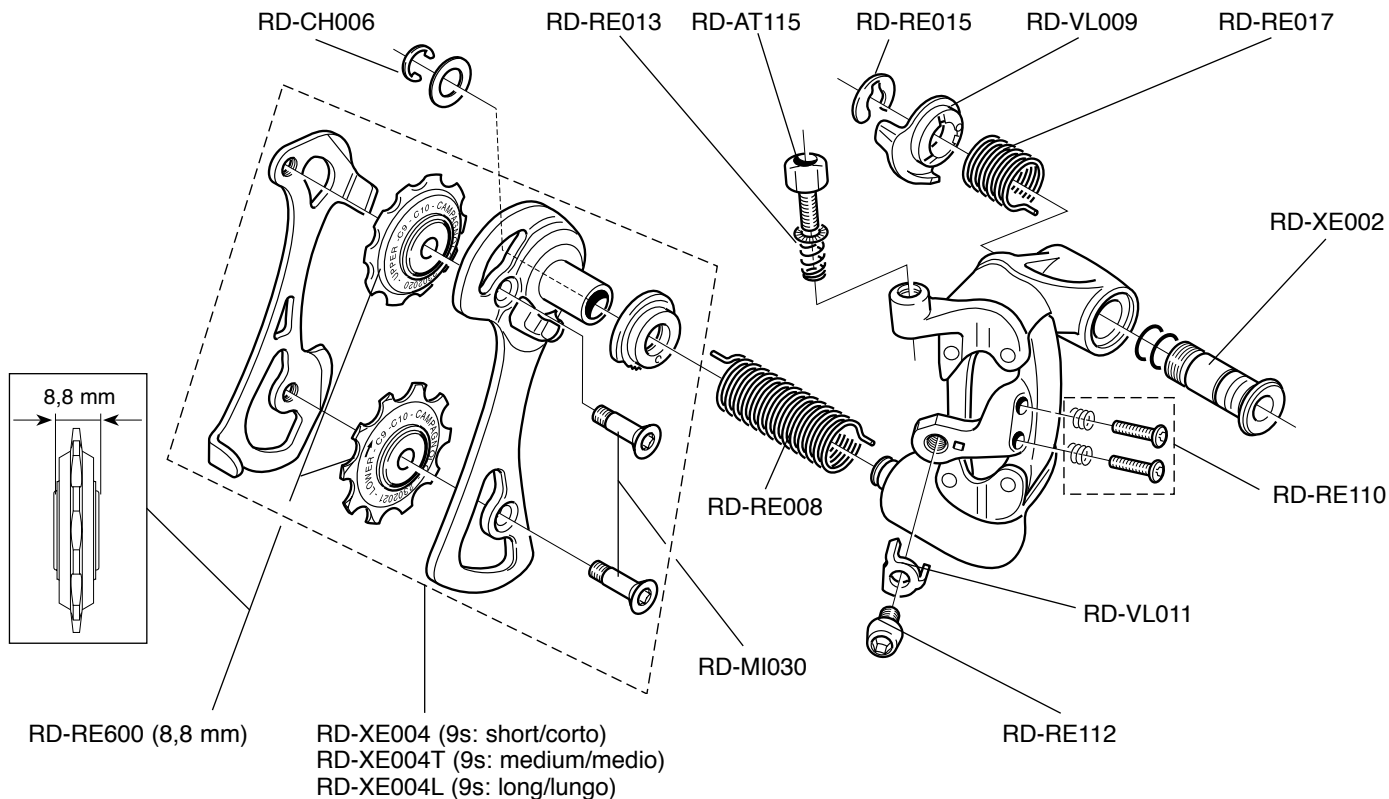
RD4-MI9S

RD4-MI9M

RD4-MI9L

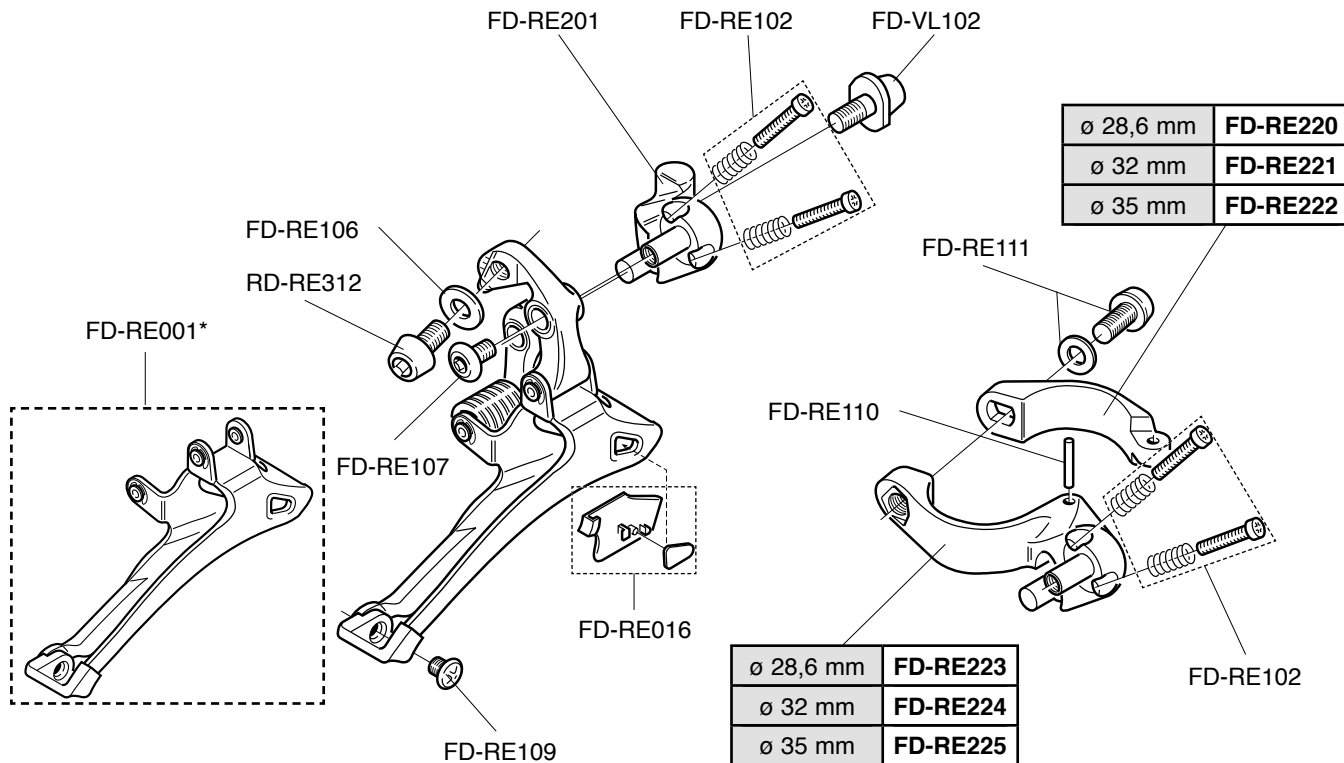


XENON™ 9s
RD02-XE209
RD02-XE309
RD4-XE9L



RECORD™ 10s
FD4-RE2..

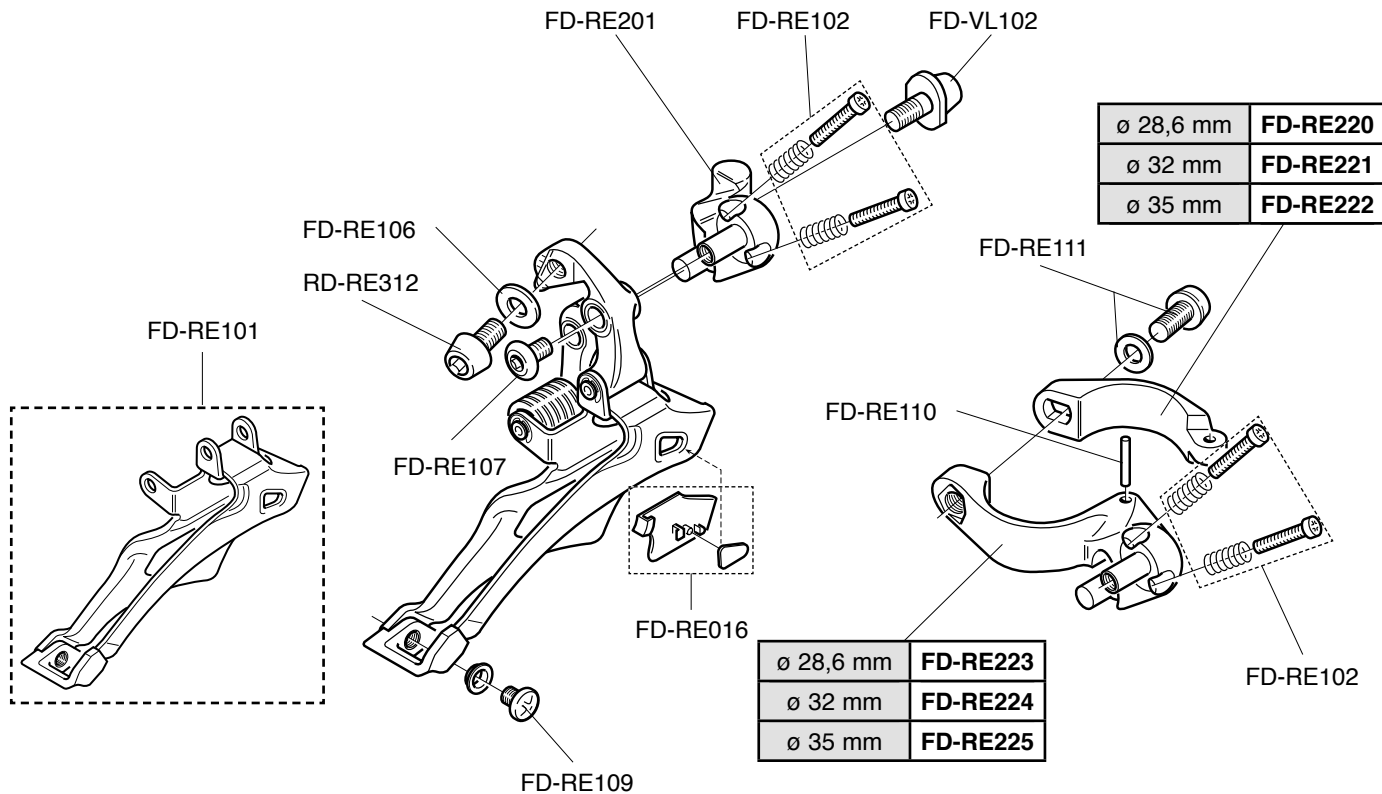
9s compatible



* non compatibile con gamma 2003 e precedenti

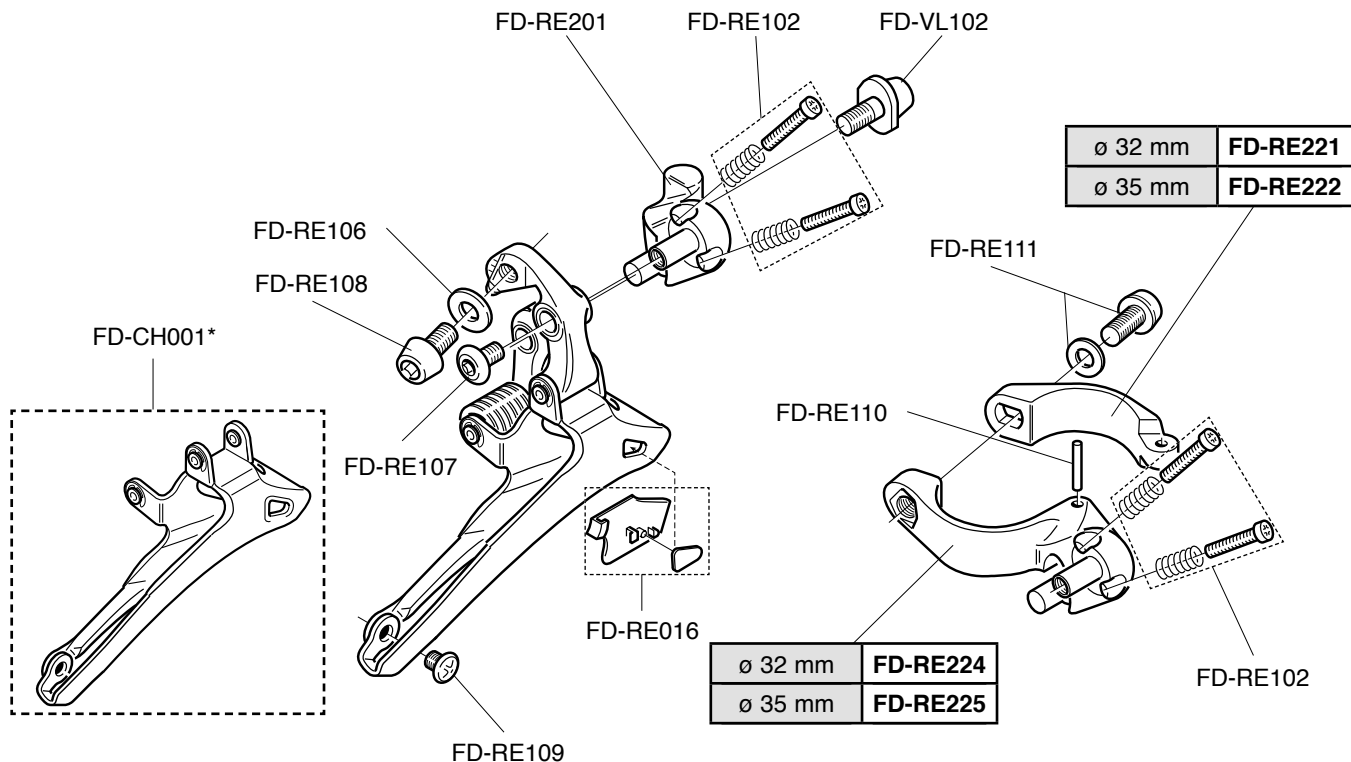
* not compatible with 2003 range and previous

RECORD™ CT™
10s
FD5-RE2...CT



CHORUS™ 10s
FD4-CH2..

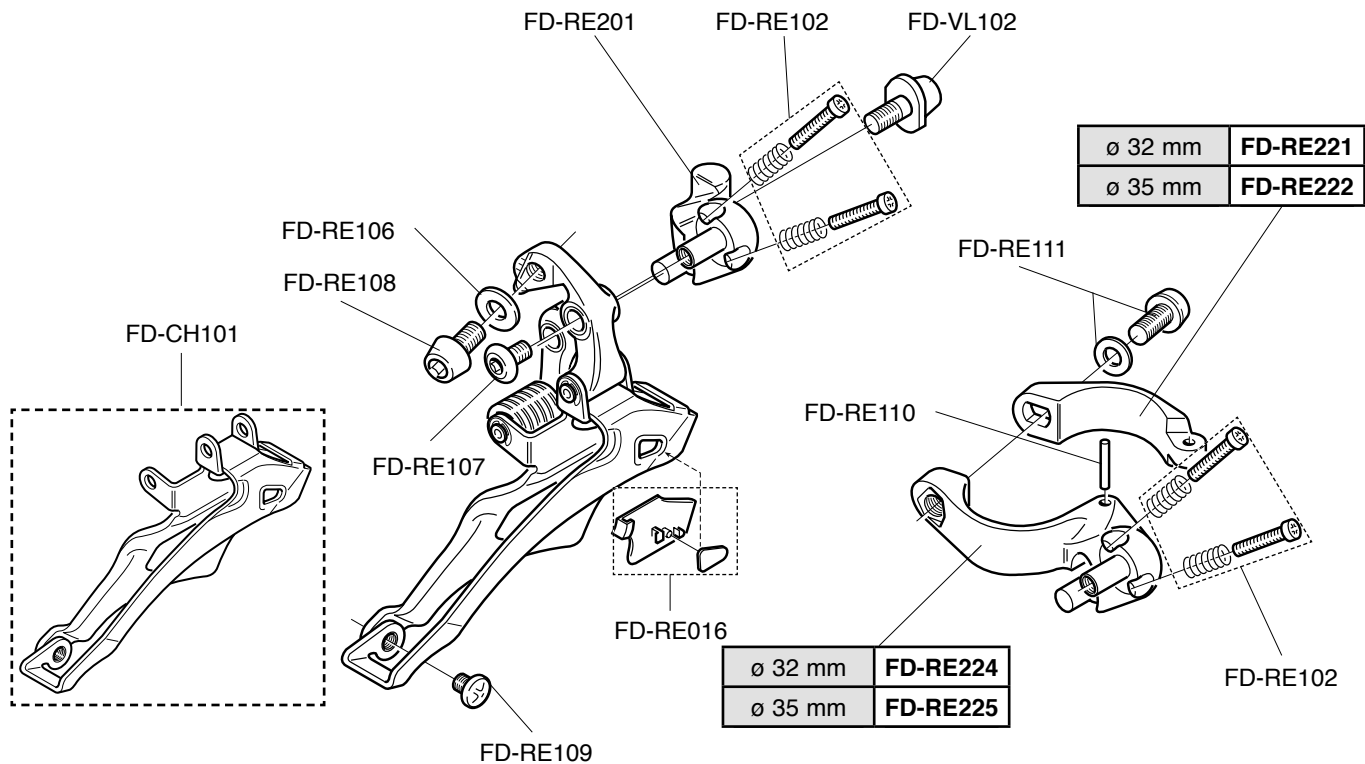
9s compatible



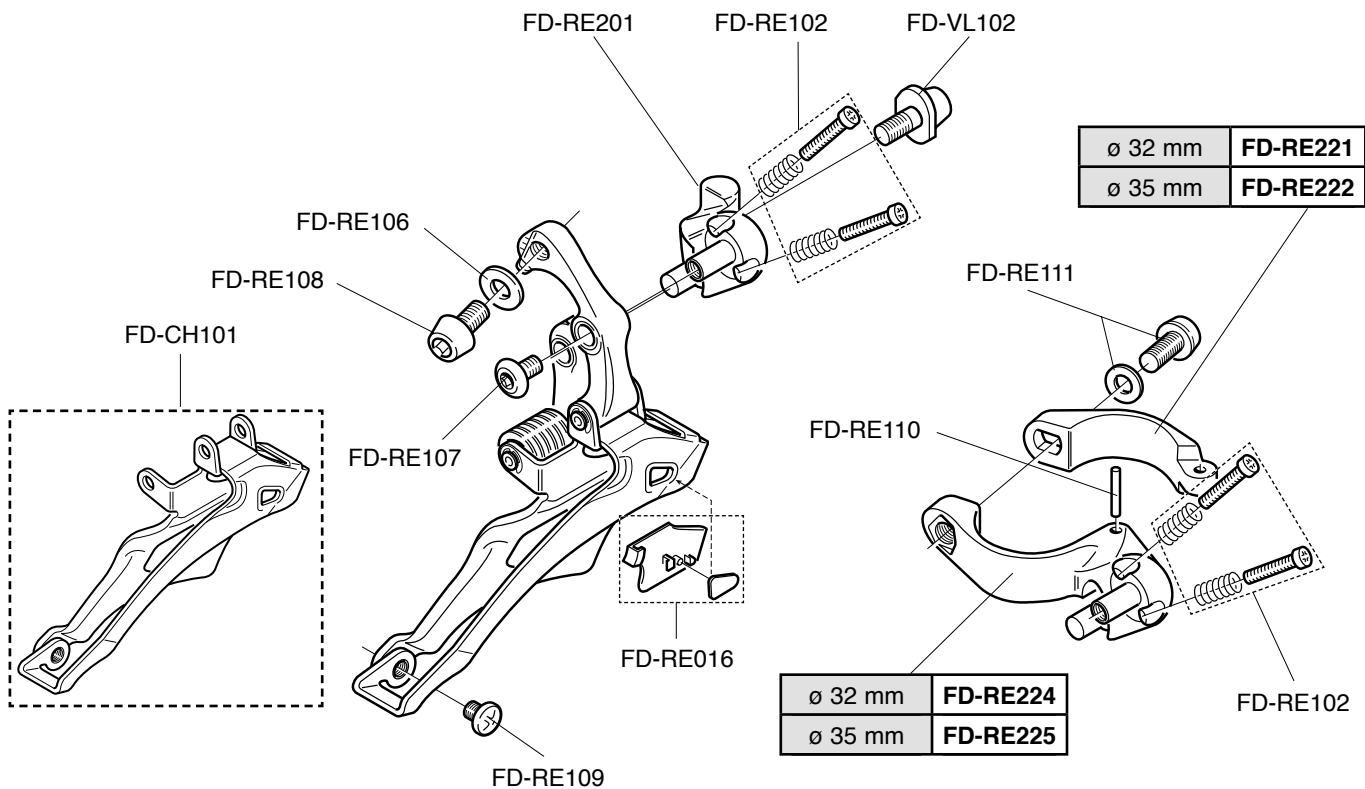
* non compatibile con gamma 2003 e precedenti

* not compatible with 2003 range and previous

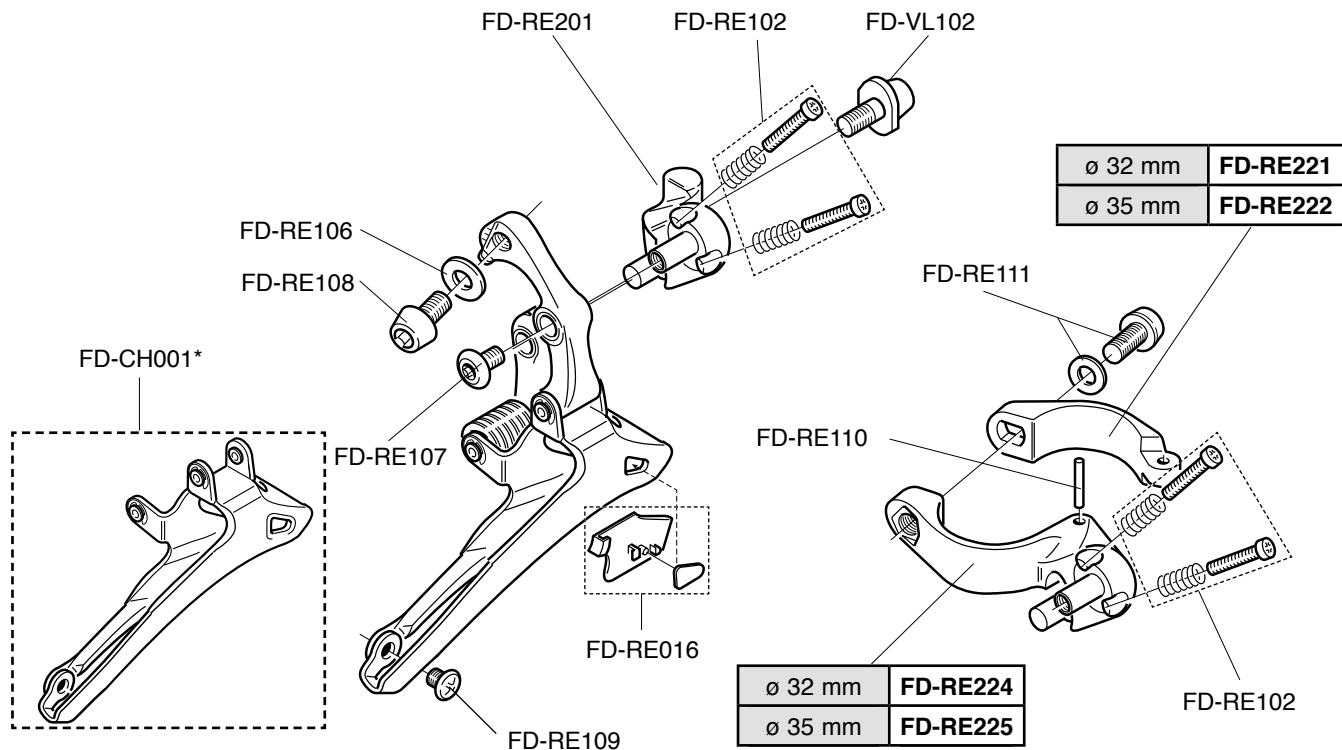
CHORUS™ CT™
10s
FD5-CH2..CT



CHORUS™ CT™
X FLAT-BAR 10s
FD5-CH2..CTFB

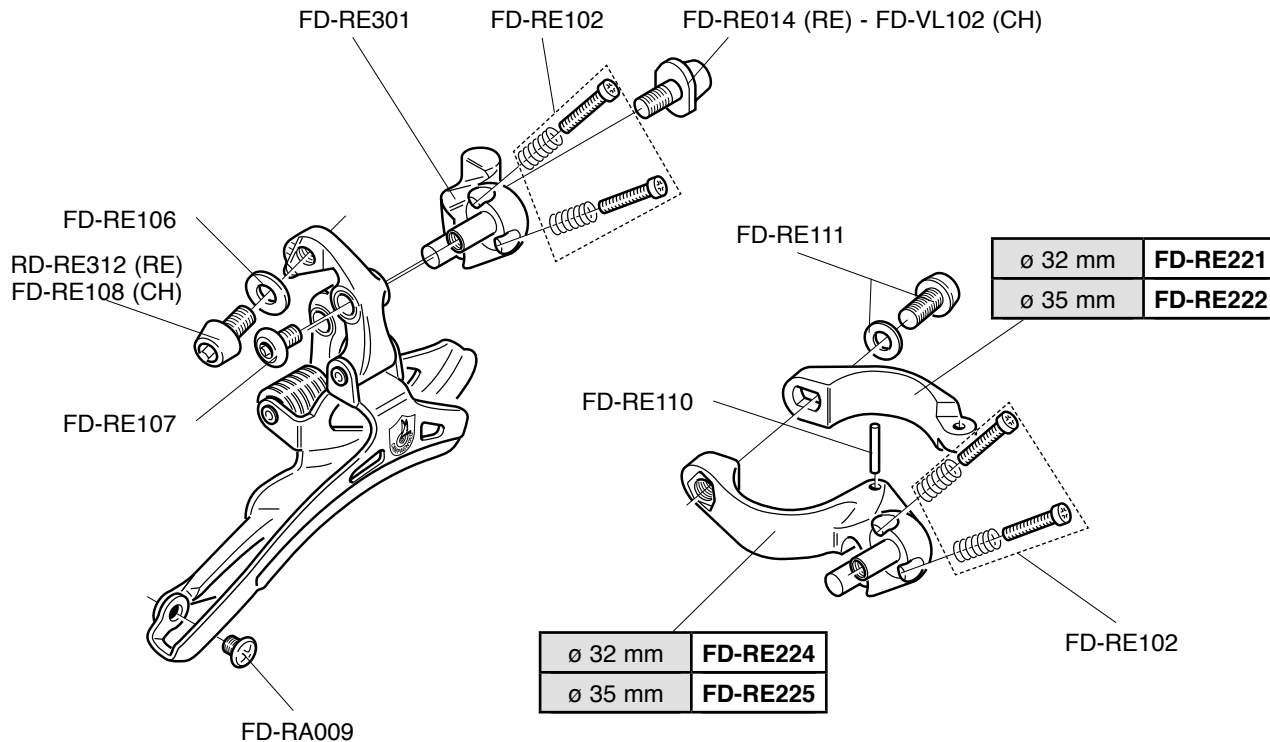


CHORUS™
X FLAT-BAR 10s
FD5-CH2..FB

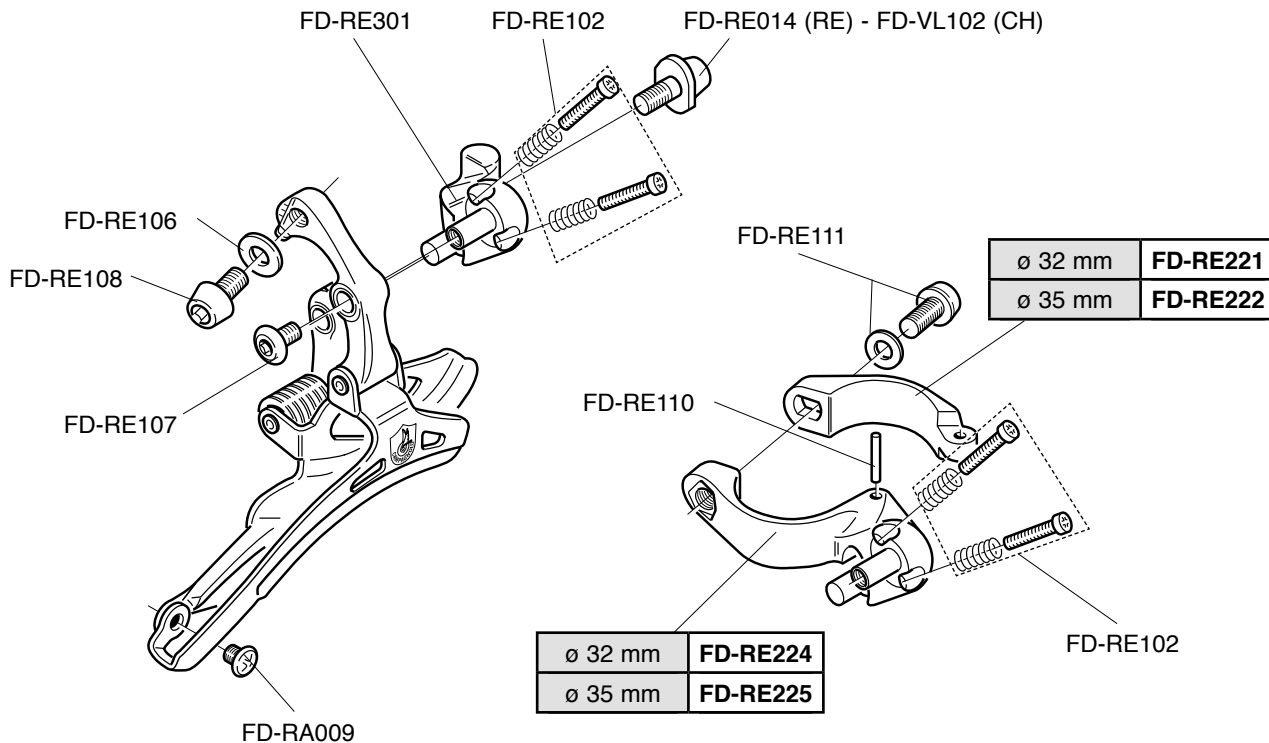


* non compatibile con gamma 2003 e precedenti
 * not compatible with 2003 range and previous

RECORD™ TRIPLE 10s
FD4-RE3..
CHORUS™ TRIPLE 10s
FD4-CH3..



CHORUS™ TRIPLE 10s
X FLAT-BAR
FD5-CH3..FB



CENTAUR™ 10s
FD4-CE2..
CENTAUR™ CENTURY GREY 10s
FD4-CEG2...

9s compatible

FD-CE001 (CENTAUR™)
 FD-CEG001 (CENTAUR™ C-GREY)

FD-RE102

FD-VL102

FD-RE106

FD-RE108

FD-RE107

FD-RE016

FD-RE109

| | CENTAUR™ | C-GREY |
|-----------|-----------------|------------------|
| ø 28,6 mm | FD-DA020 | FD-CEG020 |
| ø 32 mm | FD-DA021 | FD-CEG021 |
| ø 35 mm | FD-DA022 | FD-CEG022 |

FD-RE111

FD-RE110

FD-RE102

| | CENTAUR™ | C-GREY |
|-----------|-----------------|------------------|
| ø 28,6 mm | FD-CE008 | FD-CEG008 |
| ø 32 mm | FD-CE009 | FD-CEG009 |
| ø 35 mm | FD-CE010 | FD-CEG010 |

CENTAUR™ CT™ 10s
FD5-CE2..CT
CENTAUR™ CENTURY GREY CT™ 10s
FD5-CEG2...CT

FD-CE001 (CENTAUR™)
 FD-CEG001 (CENTAUR™ C-GREY)

FD-RE102

FD-VL102

FD-RE106

FD-RE108

FD-RE107

FD-RE111

FD-RE110

FD-RE016

FD-RE109

| | CENTAUR™ | C-GREY |
|-----------|-----------------|------------------|
| ø 28,6 mm | FD-DA020 | FD-CEG020 |
| ø 32 mm | FD-DA021 | FD-CEG021 |
| ø 35 mm | FD-DA022 | FD-CEG022 |

| | CENTAUR™ | C-GREY |
|-----------|-----------------|------------------|
| ø 28,6 mm | FD-CE008 | FD-CEG008 |
| ø 32 mm | FD-CE009 | FD-CEG009 |
| ø 35 mm | FD-CE010 | FD-CEG010 |

FD-RE102

CENTAUR™ CT™ X FLAT-BAR 10s
FD5-CE2..CTFB
CENTAUR™ CENTURY GREY CT™
X FLAT-BAR 10s
FD5-CEG2...CTFB

FD-CE001 (CENTAUR™)
 FD-CEG001 (CENTAUR™ C-GREY)

FD-RE102

FD-VL102

FD-RE106

FD-RE108

FD-RE107

FD-RE016

FD-RE109

FD-RE111

FD-RE110

FD-RE102

| | CENTAUR™ | C-GREY |
|-----------|----------|-----------|
| ø 28,6 mm | FD-DA020 | FD-CEG020 |
| ø 32 mm | FD-DA021 | FD-CEG021 |
| ø 35 mm | FD-DA022 | FD-CEG022 |

| | CENTAUR™ | C-GREY |
|-----------|----------|-----------|
| ø 28,6 mm | FD-CE008 | FD-CEG008 |
| ø 32 mm | FD-CE009 | FD-CEG009 |
| ø 35 mm | FD-CE010 | FD-CEG010 |

CENTAUR™ X FLAT-BAR 10s
FD5-CE2..FB
CENTAUR™ CENTURY GREY
X FLAT-BAR 10s
FD5-CEG2...FB

FD-CE001 (CENTAUR™)
 FD-CEG001 (CENTAUR™ C-GREY)

FD-RE102

FD-VL102

FD-RE106

FD-RE108

FD-RE107

FD-RE016

FD-RE109

FD-RE111

FD-RE110

FD-RE102

| | CENTAUR™ | C-GREY |
|-----------|-----------------|------------------|
| ø 28,6 mm | FD-DA020 | FD-CEG020 |
| ø 32 mm | FD-DA021 | FD-CEG021 |
| ø 35 mm | FD-DA022 | FD-CEG022 |

| | CENTAUR™ | C-GREY |
|-----------|-----------------|------------------|
| ø 28,6 mm | FD-CE008 | FD-CEG008 |
| ø 32 mm | FD-CE009 | FD-CEG009 |
| ø 35 mm | FD-CE010 | FD-CEG010 |

CENTAUR™ TRIPLE 10s

FD4-CE3..

CENTAUR™ CENTURY GREY TRIPLE 10s

FD4-CEG3..

9s compatible

FD-CE101 (CENTAUR™)
FD-CEG101 (CENTAUR™ C-GREY)

FD-RE102

FD-VL102

FD-RE106

FD-RE108

FD-RE107

FD-RE111

FD-RE110

FD-RA009

FD-RE102

| | CENTAUR™ | C-GREY |
|---------|----------|-----------|
| ø 32 mm | FD-DA021 | FD-CEG021 |
| ø 35 mm | FD-DA022 | FD-CEG022 |

| | CENTAUR™ | C-GREY |
|---------|----------|-----------|
| ø 32 mm | FD-CE009 | FD-CEG009 |
| ø 35 mm | FD-CE010 | FD-CEG010 |

CENTAUR™ TRIPLE X FLAT-BAR 10s

FD5-CE3..FB

CENTAUR™ CENTURY GREY TRIPLE

X FLAT-BAR 10s

FD5-CEG3..FB

FD-CE101 (CENTAUR™)
FD-CEG101 (CENTAUR™ C-GREY)

FD-RE102

FD-VL102

FD-RE106

FD-RE108

FD-RE107

FD-RE111

FD-RE110

FD-RA009

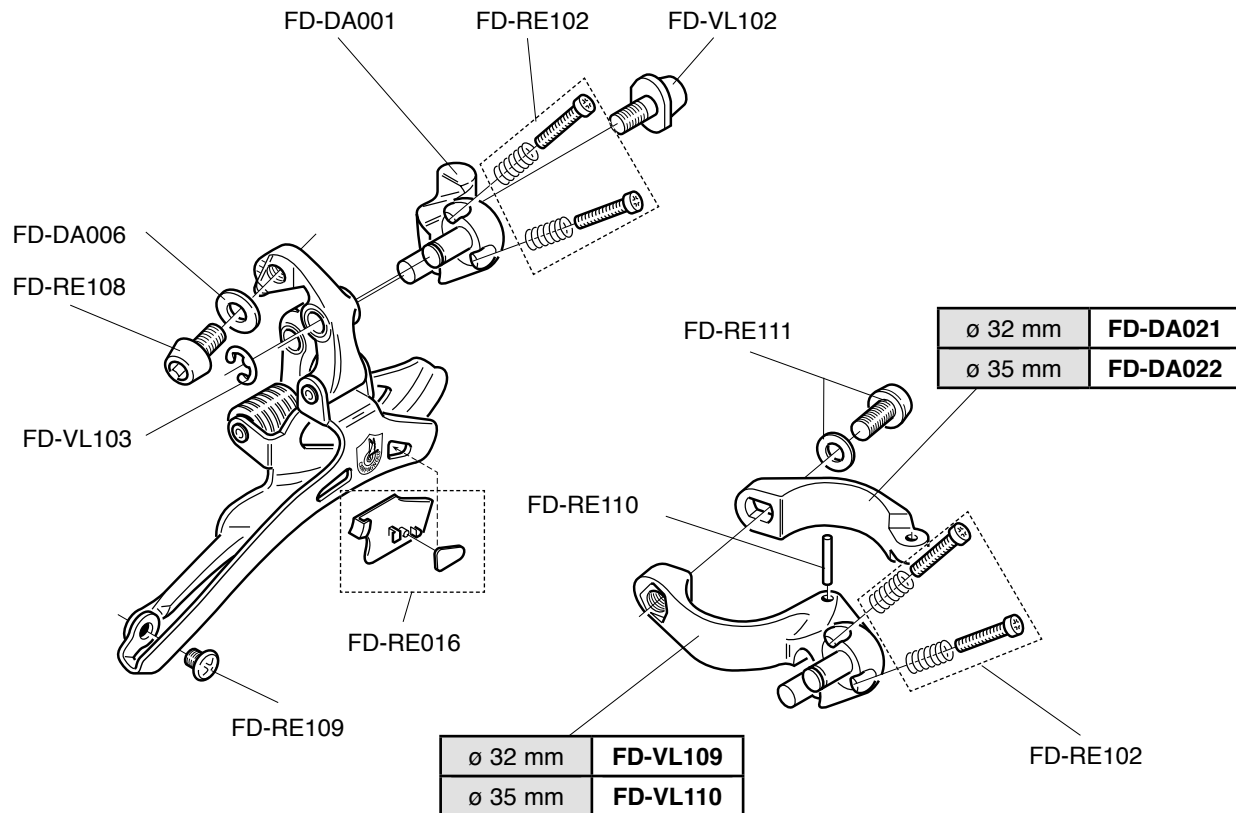
| | CENTAUR™ | C-GREY |
|---------|----------|-----------|
| ø 32 mm | FD-DA021 | FD-CEG021 |
| ø 35 mm | FD-DA022 | FD-CEG022 |

| | CENTAUR™ | C-GREY |
|---------|----------|-----------|
| ø 32 mm | FD-CE009 | FD-CEG009 |
| ø 35 mm | FD-CE010 | FD-CEG010 |

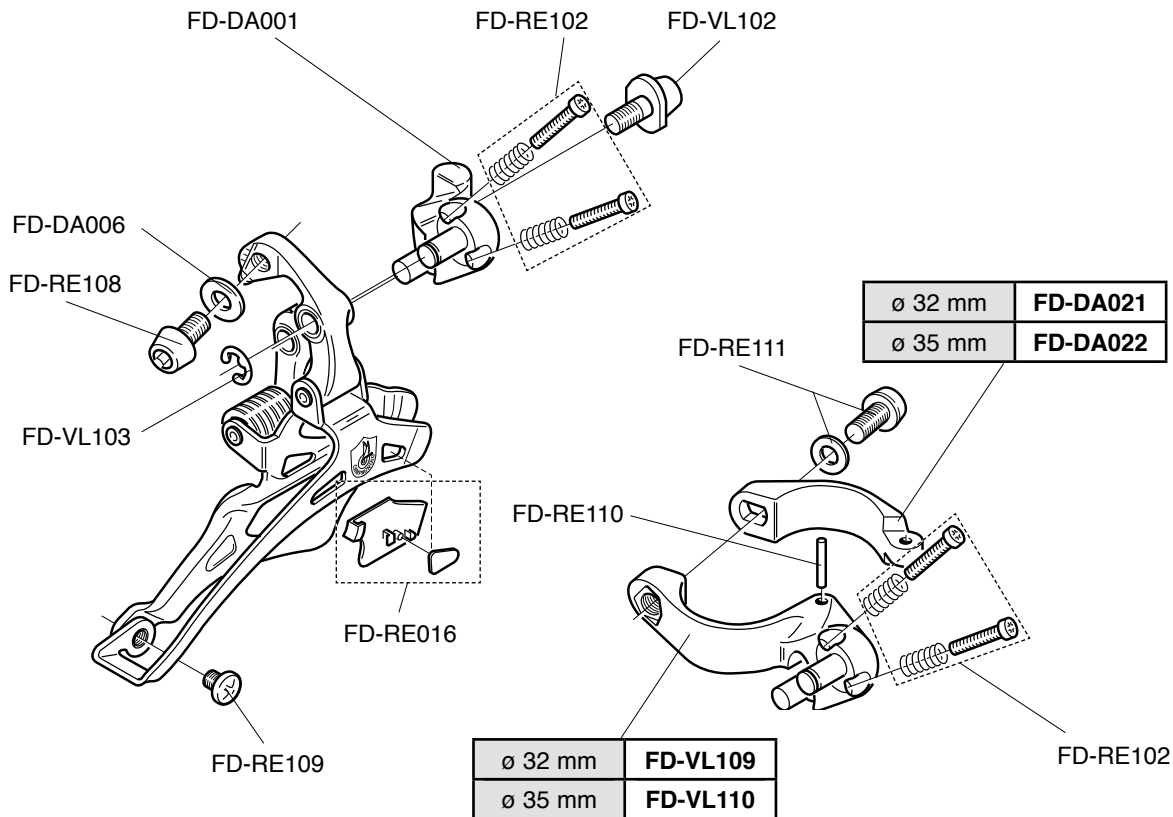
FD-RE102

VELOCE™ 10s
FD4-VL2..

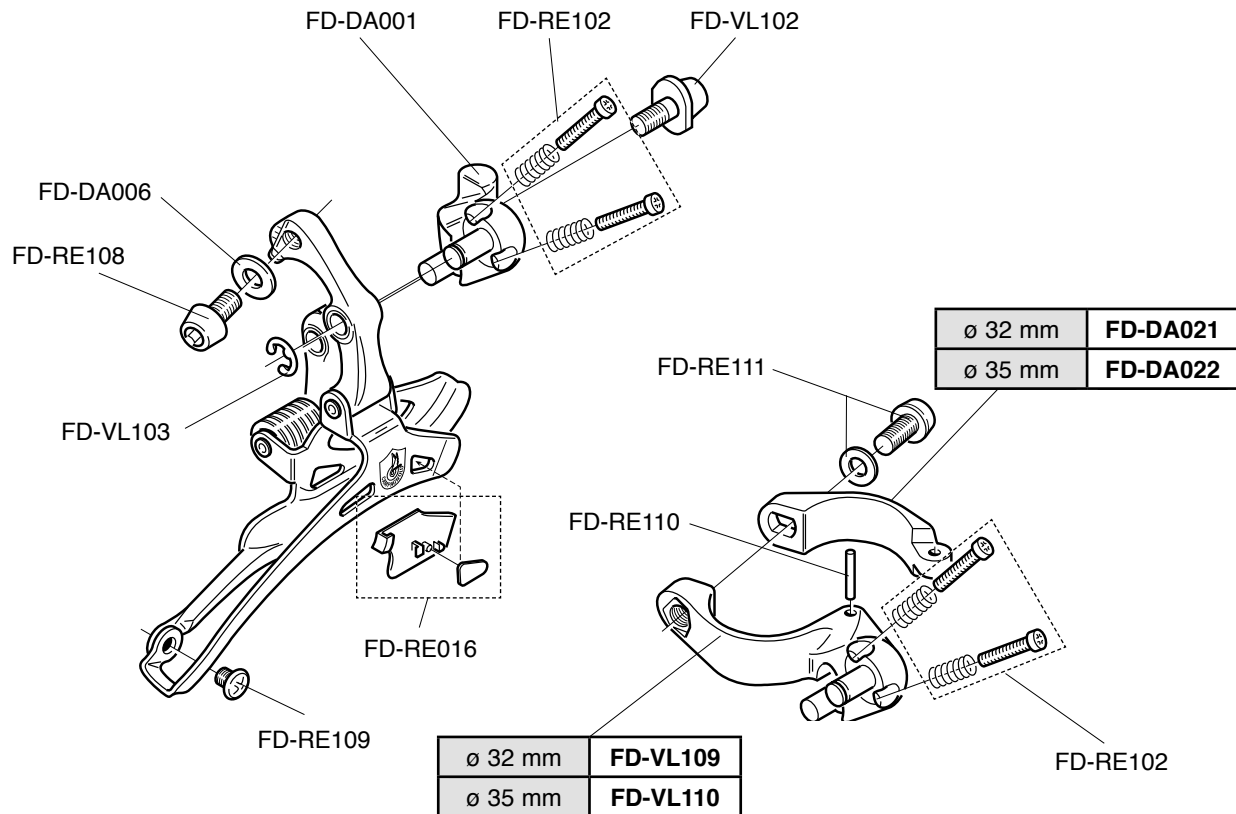
9s compatible



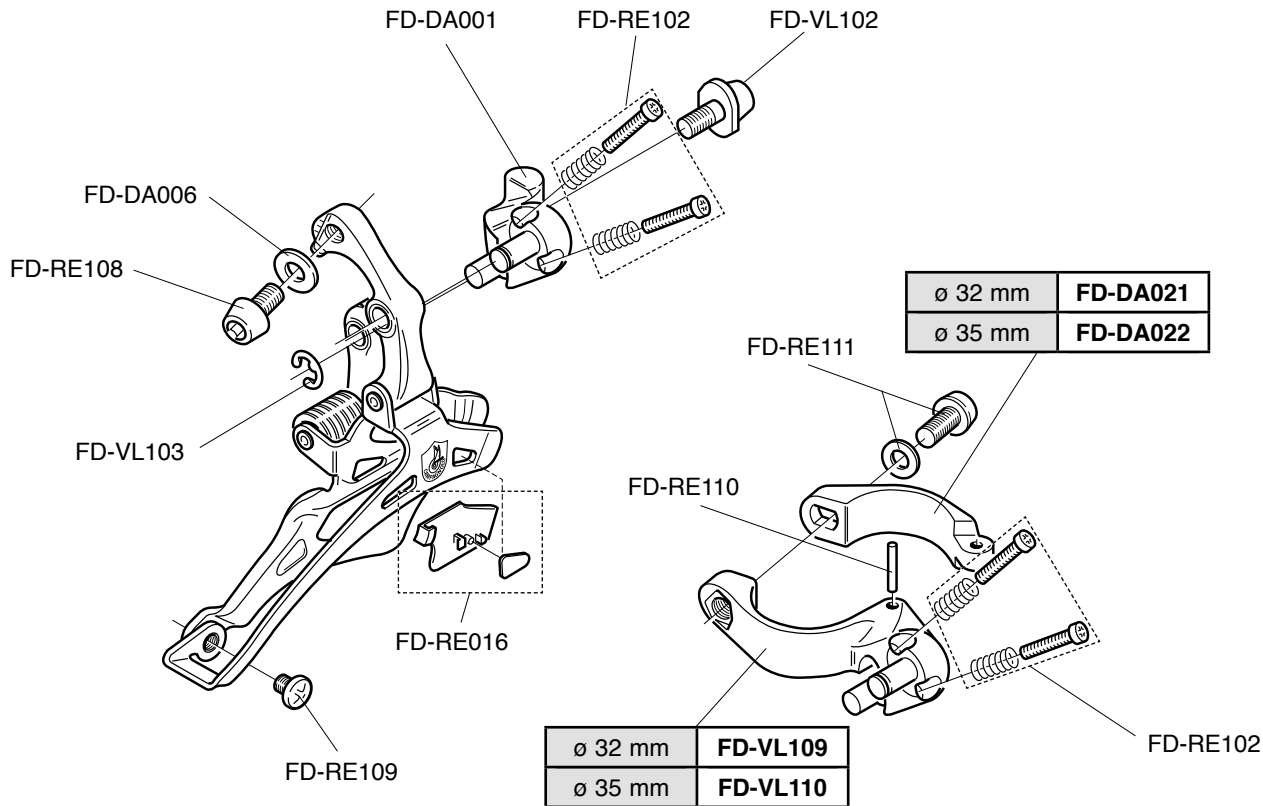
VELOCE™ CT™
10s
FD6-VL2...CT



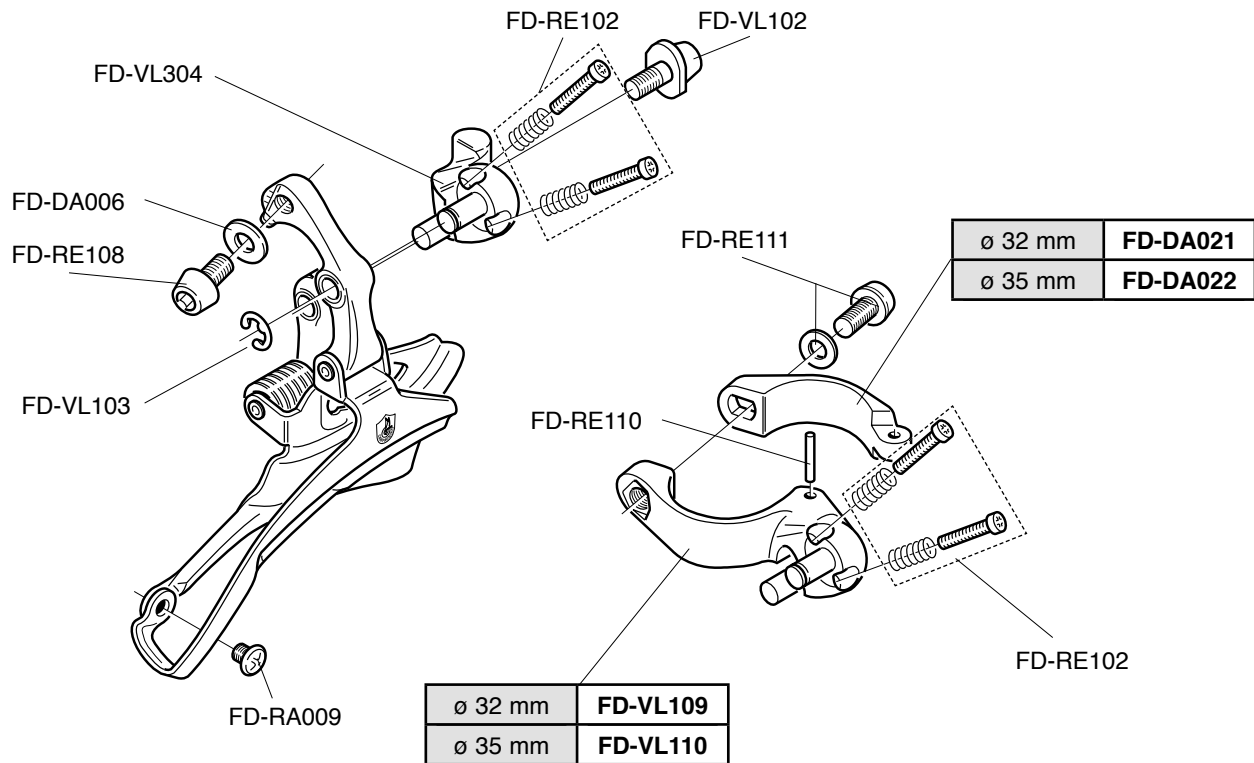
VELOCE™ 10s
X FLAT-BAR
FD5-VL2..FB



VELOCE™ CT™ 10s
x FLAT-BAR 10s
FD6-VL2...CTFB



**VELOCE™ TRIPLE X
FLAT-BAR 10s
FD5-VL3..FB**



**VELOCE™
TRIPLE 10s
FD4-MI2..**

9s compatible

**MIRAGE™ BLACK 9s
FD4-MIB2..
MIRAGE™ TRIPLE BLACK 9s
FD4-MIB3..**

FD-VL304 (VELOCE™ TRIPLE)
FD-MIB001 (MIRAGE™ BLACK)
FD-MIB101 (MIRAGE™ BLACK TRIPLE)

FD-DA006

FD-RE108

FD-VL103

FD-RE109
FD-RA009 (TRIPLE)

FD-RE102

FD-VL102

FD-RE111

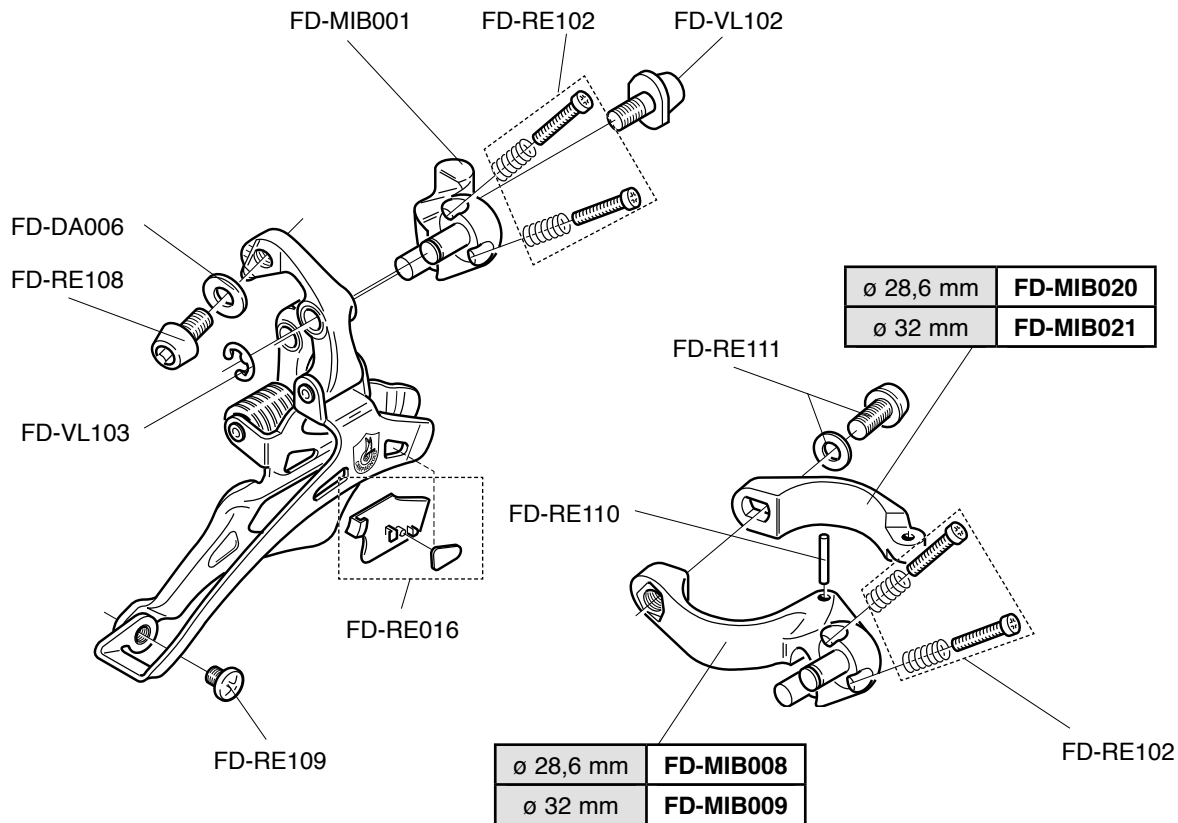
FD-RE110

FD-RE102

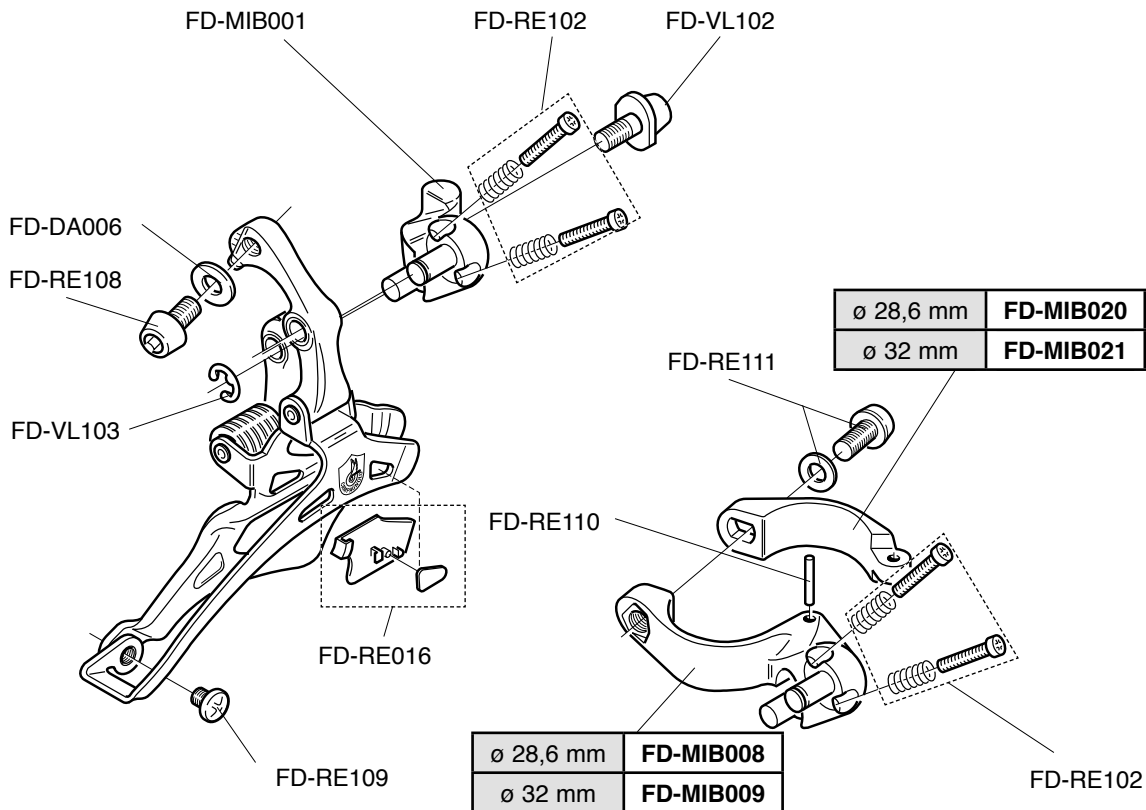
| | VELOCE™ | MIR™ BLACK |
|-----------|----------|------------|
| ø 28,6 mm | - | FD-MIB020 |
| ø 32 mm | FD-DA021 | FD-MIB021 |
| ø 35 mm | FD-DA022 | - |

| | VELOCE™ | MIR™ BLACK |
|-----------|----------|------------|
| ø 28,6 mm | - | FD-MIB008 |
| ø 32 mm | FD-VL109 | FD-MIB009 |
| ø 35 mm | FD-VL110 | - |

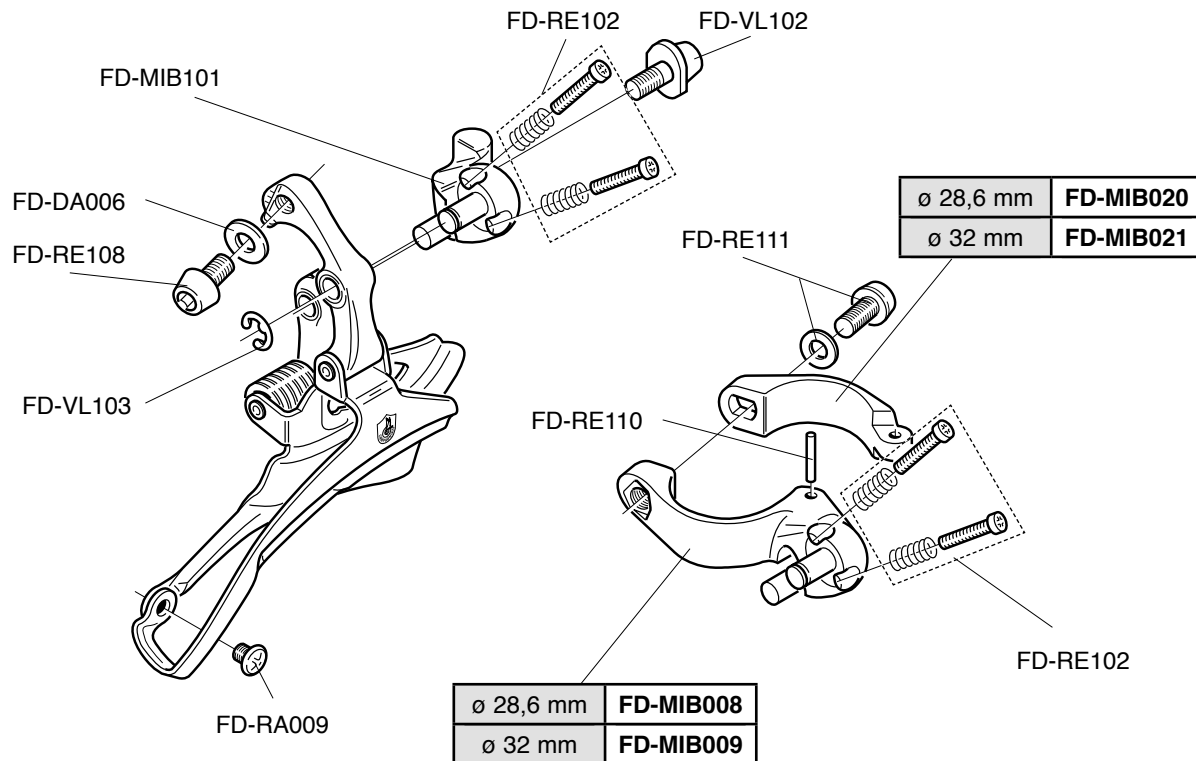
MIRAGE™ CT™
9s
FD6-MI2...CT



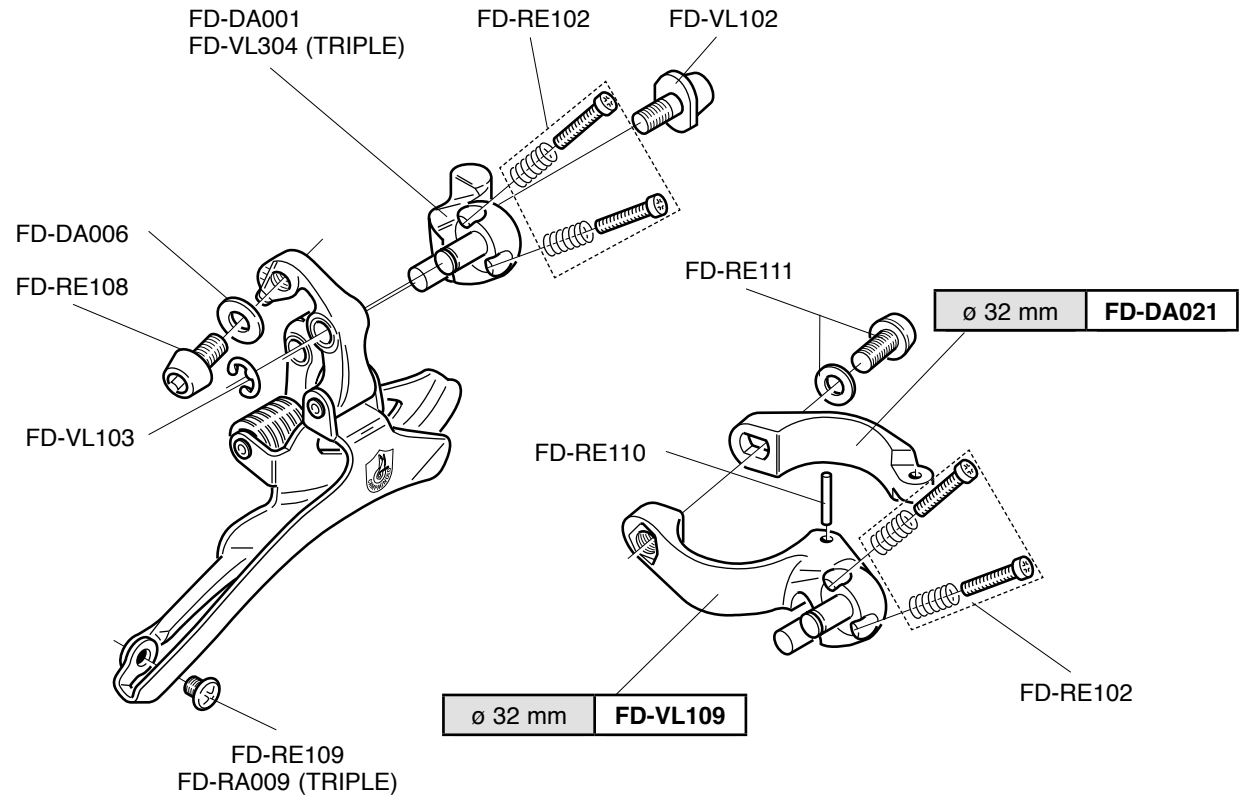
MIRAGE™ CT™ 9s
x FLAT-BAR
FD6-MI2...CTFB



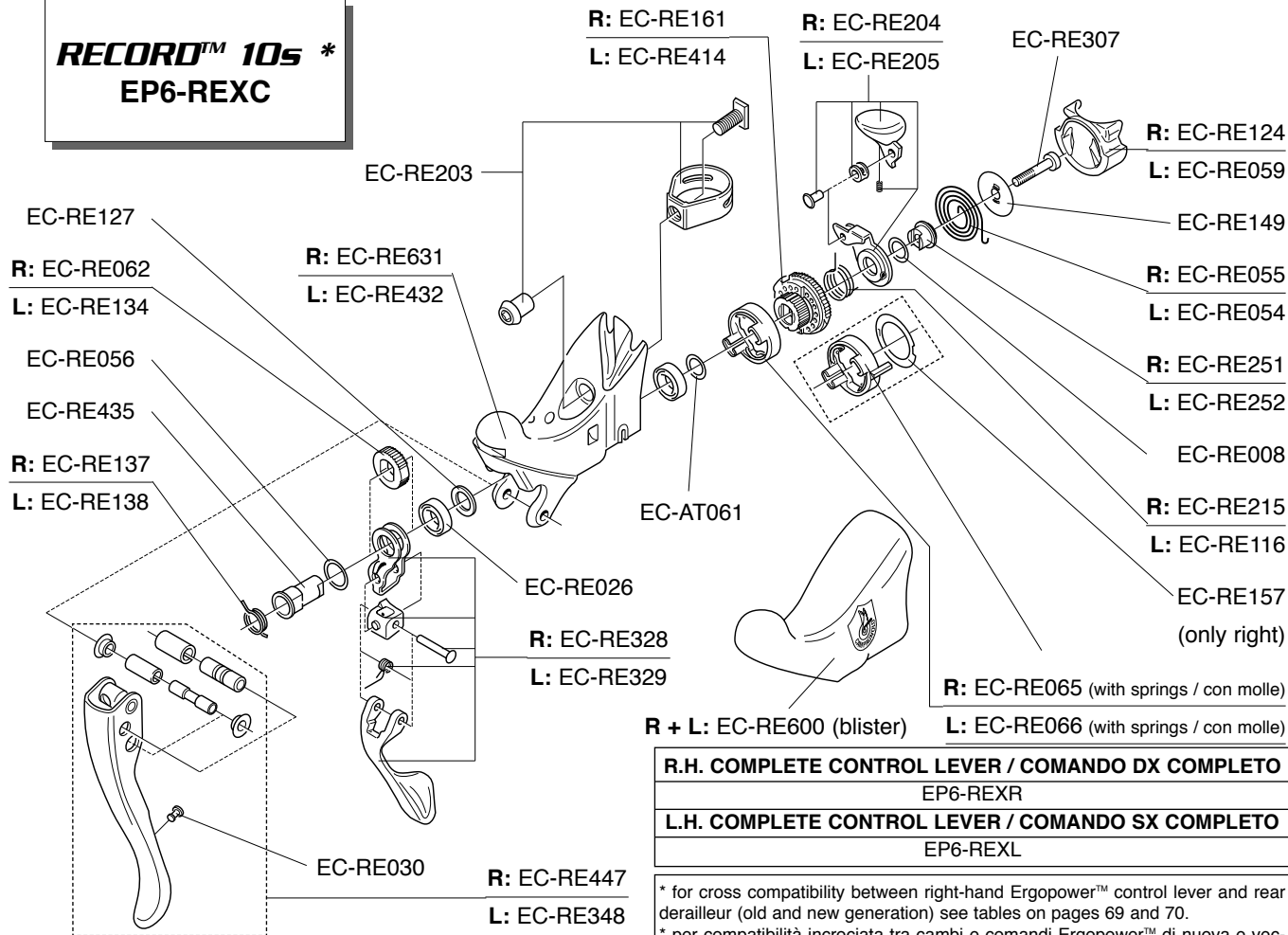
MIRAGE™ TRIPLE BLACK
X FLAT-BAR 9s
FD5-MIB3..FB



XENON™ 9s
FD4-XE2..
XENON™ TRIPLE 9s
FD4-XE3..



RECORD™ 10s *
EP6-REXC



R.H. COMPLETE CONTROL LEVER / COMANDO DX COMPLETO

EP6-REXR

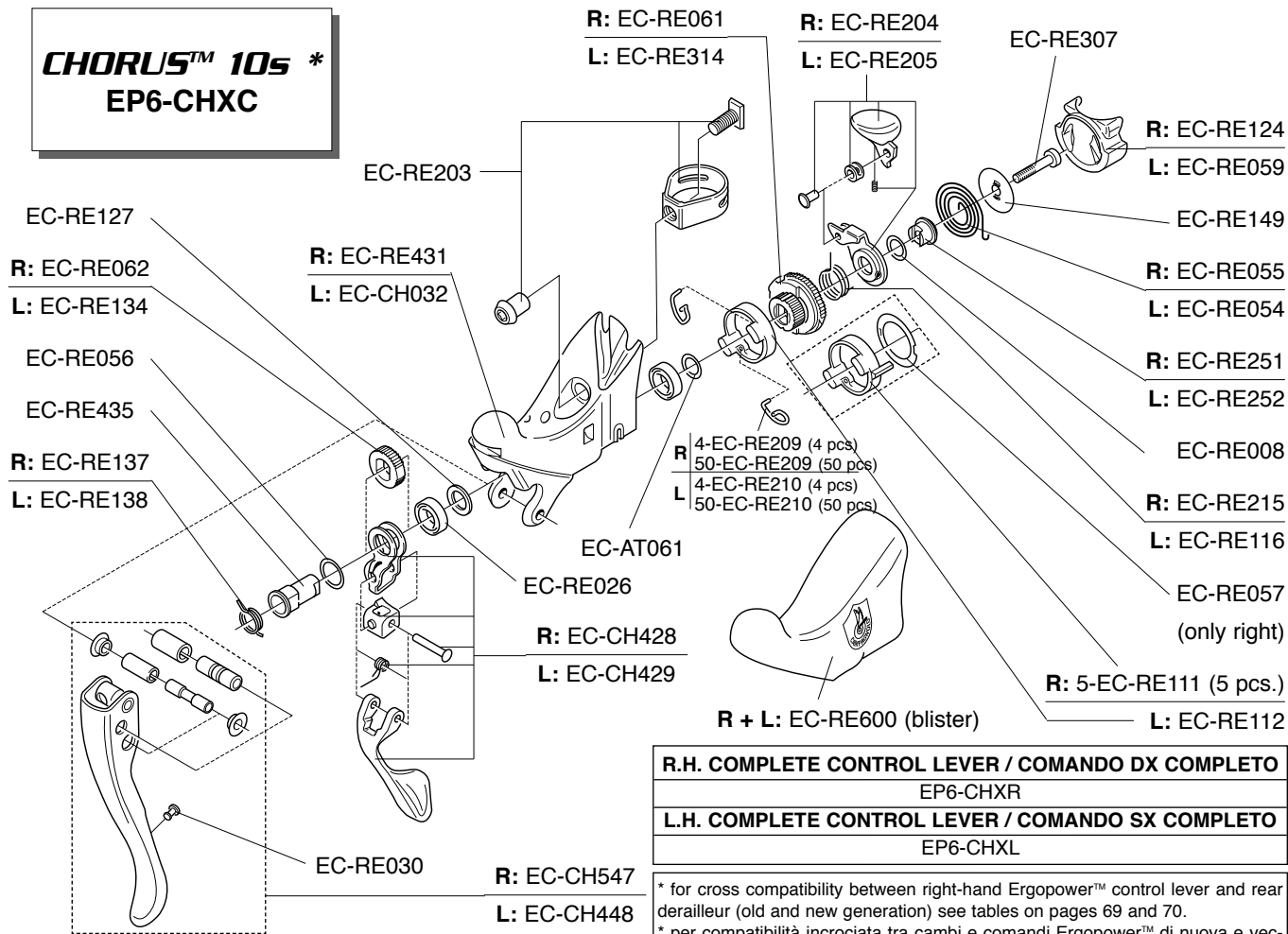
L.H. COMPLETE CONTROL LEVER / COMANDO SX COMPLETO

EP6-REXL

* for cross compatibility between right-hand ErgoPower™ control lever and rear derailleur (old and new generation) see tables on pages 69 and 70.

* per compatibilità incrociata tra cambi e comandi ErgoPower™ di nuova e vecchia generazione vedi tabelle alle pagg. 69 e 70.

CHORUS™ 10s * EP6-CHXC



| |
|--|
| R.H. COMPLETE CONTROL LEVER / COMANDO DX COMPLETO |
| EP6-CHXR |
| L.H. COMPLETE CONTROL LEVER / COMANDO SX COMPLETO |
| EP6-CHXL |

* for cross compatibility between right-hand Ergopower™ control lever and rear derailleur (old and new generation) see tables on pages 69 and 70.
* per compatibilità incrociata tra cambi e comandi Ergopower™ di nuova e vecchia generazione vedi tabelle alle pagg. 69 e 70.

CENTAUR™ 10s *
EP6-CEXC
CENTAUR™ C-GREY 10s *
EP6-CEGXC

R: EC-RE061
 L: EC-RE314

R: EC-RE204
 L: EC-RE205

EC-RE307

R: EC-RE124
 L: EC-RE059

R: EC-RE055
 L: EC-RE054

R: EC-RE251
 L: EC-RE252

R: EC-RE215
 L: EC-RE116

EC-RE057
 (only right)

R: 5-EC-RE111 (5 pcs.)

L: EC-RE112

R + L: EC-RE600 (blister)

| CENTAUR™ | |
|----------|-----------|
| R | EC-DA231 |
| L | EC-DA032 |
| C-GREY | |
| R | EC-CEG031 |
| L | EC-CEG032 |

| CENTAUR™ | |
|----------|-----------|
| R | EC-CH328 |
| L | EC-CH329 |
| C-GREY | |
| R | EC-CEG028 |
| L | EC-CEG029 |

| | CENTAUR™ | C-GREY |
|---|----------|-----------|
| R | EC-CE247 | EC-CEG147 |
| L | EC-CE248 | EC-CEG148 |

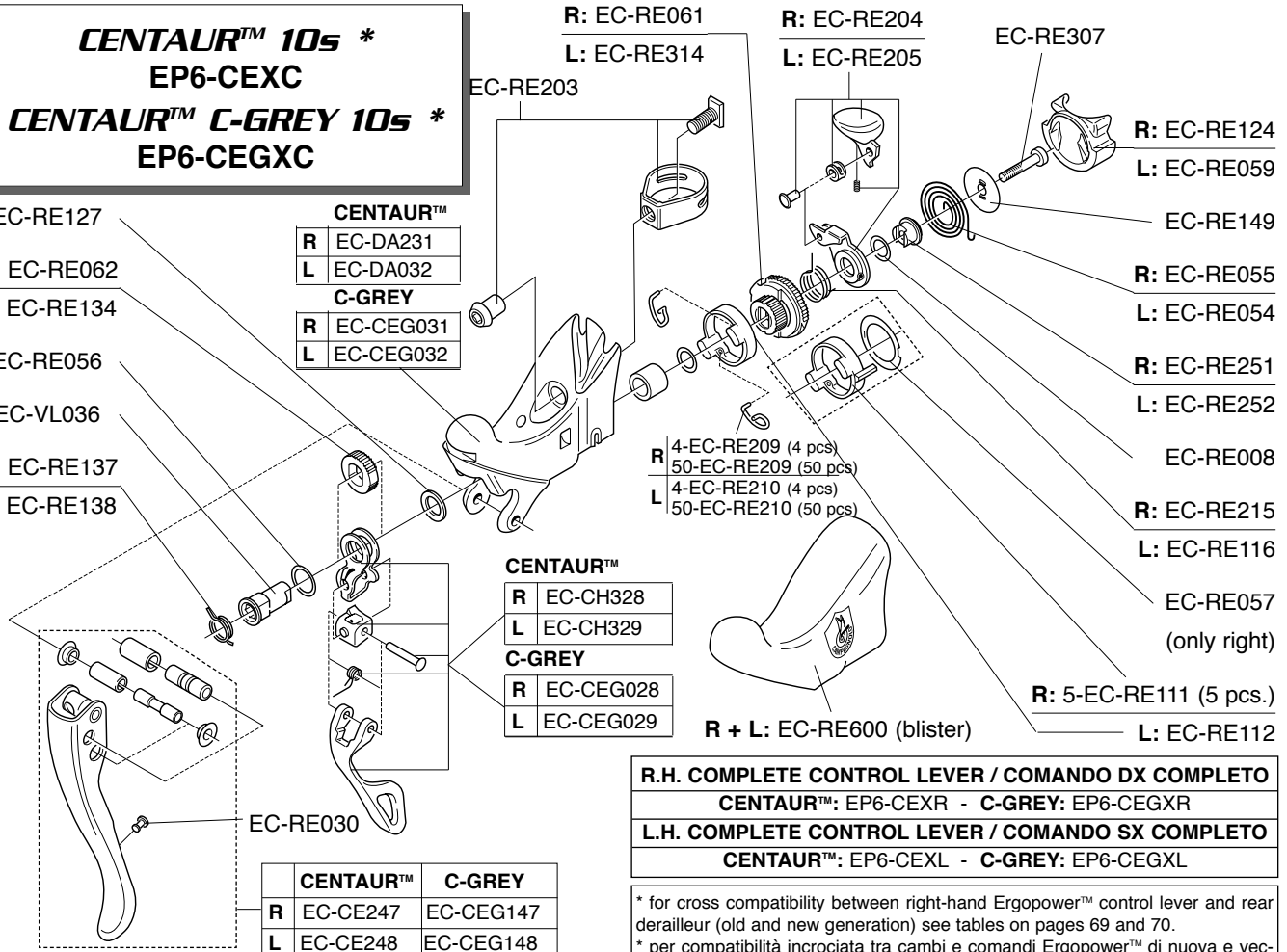
| |
|--|
| R.H. COMPLETE CONTROL LEVER / COMANDO DX COMPLETO |
| CENTAUR™: EP6-CEXR - C-GREY: EP6-CEGXR |
| L.H. COMPLETE CONTROL LEVER / COMANDO SX COMPLETO |
| CENTAUR™: EP6-CEXL - C-GREY: EP6-CEGXL |

* for cross compatibility between right-hand Ergopower™ control lever and rear derailleur (old and new generation) see tables on pages 69 and 70.
 * per compatibilità incrociata tra cambi e comandi Ergopower™ di nuova e vecchia generazione vedi tabelle alle pagg. 69 e 70.

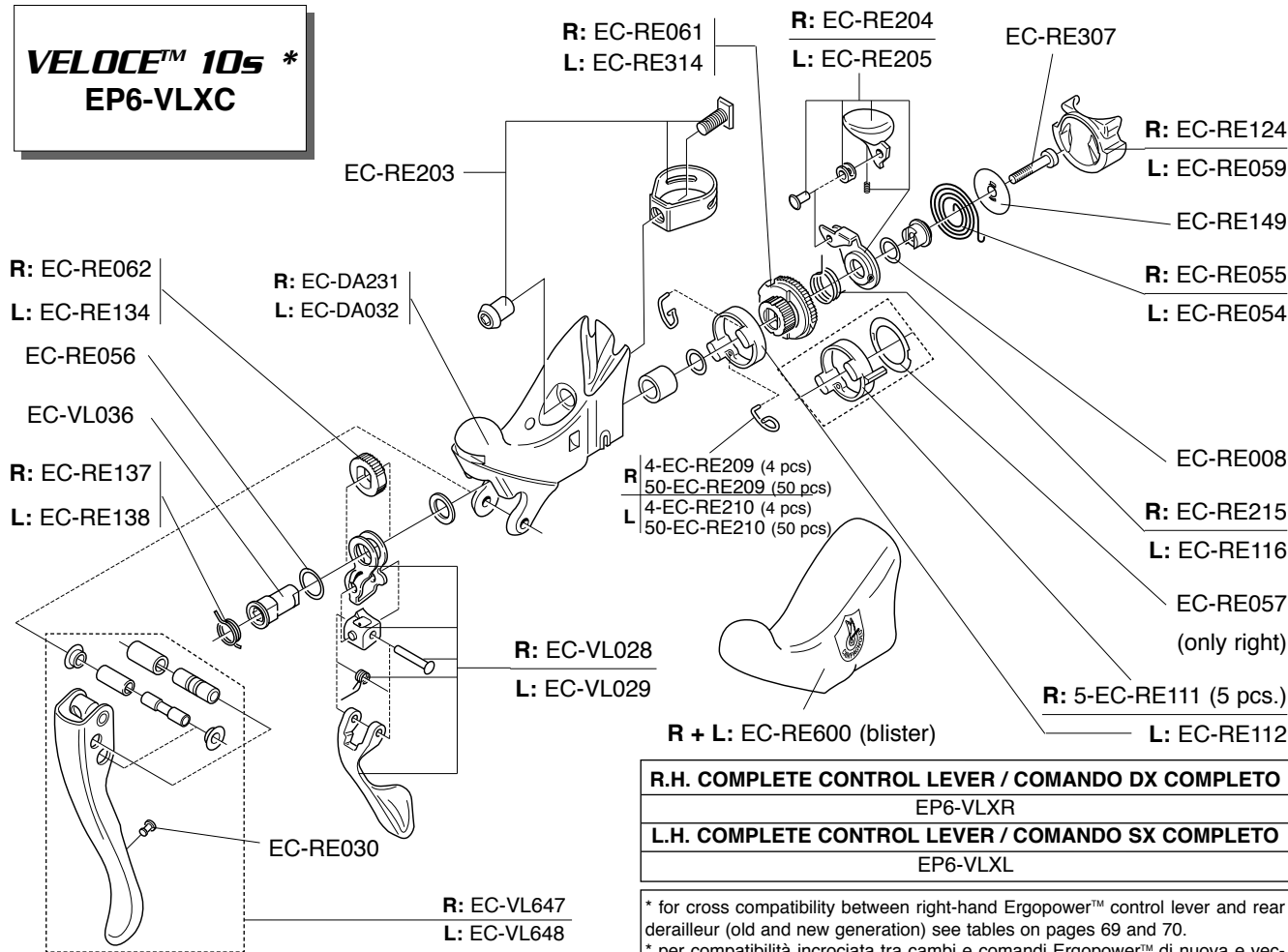
EC-RE127
 R: EC-RE062
 L: EC-RE134
 EC-RE056
 EC-VL036
 R: EC-RE137
 L: EC-RE138

EC-RE203

R 4-EC-RE209 (4 pcs)
 50-EC-RE209 (50 pcs)
 L 4-EC-RE210 (4 pcs)
 50-EC-RE210 (50 pcs)



**VELOCE™ 10s *
EP6-VLXC**



| |
|--|
| R.H. COMPLETE CONTROL LEVER / COMANDO DX COMPLETO |
| EP6-VLXR |
| L.H. COMPLETE CONTROL LEVER / COMANDO SX COMPLETO |
| EP6-VLXL |

* for cross compatibility between right-hand ErgoPower™ control lever and rear derailleur (old and new generation) see tables on pages 69 and 70.
* per compatibilità incrociata tra cambi e comandi ErgoPower™ di nuova e vecchia generazione vedi tabelle alle pagg. 69 e 70.

MIRAGE™ 9s *
EP6-MI9C

R: EC-RE063

L: EC-RE314

R: EC-RE204

L: EC-RE205

EC-RE307

R: EC-RE124

L: EC-RE059

EC-RE203

R: EC-DA131

L: EC-DA032

R: EC-RE133

L: EC-RE134

EC-RE056

EC-VL036

R: EC-RE137

L: EC-RE138

R: EC-RE055

L: EC-RE054

EC-RE008

R 4-EC-RE209 (4 pcs)
50-EC-RE209 (50 pcs)

L 4-EC-RE210 (4 pcs)
50-EC-RE210 (50 pcs)

R: EC-RE215

L: EC-RE116

EC-RE057

(only right)

R: 5-EC-RE111 (5 pcs.)

L: EC-RE112

R: EC-MI228

L: EC-MI229

R + L: EC-RE600 (blister)

EC-XE030

R: EC-MI447

L: EC-MI448

R.H. COMPLETE CONTROL LEVER / COMANDO DX COMPLETO

EP6-MI9R

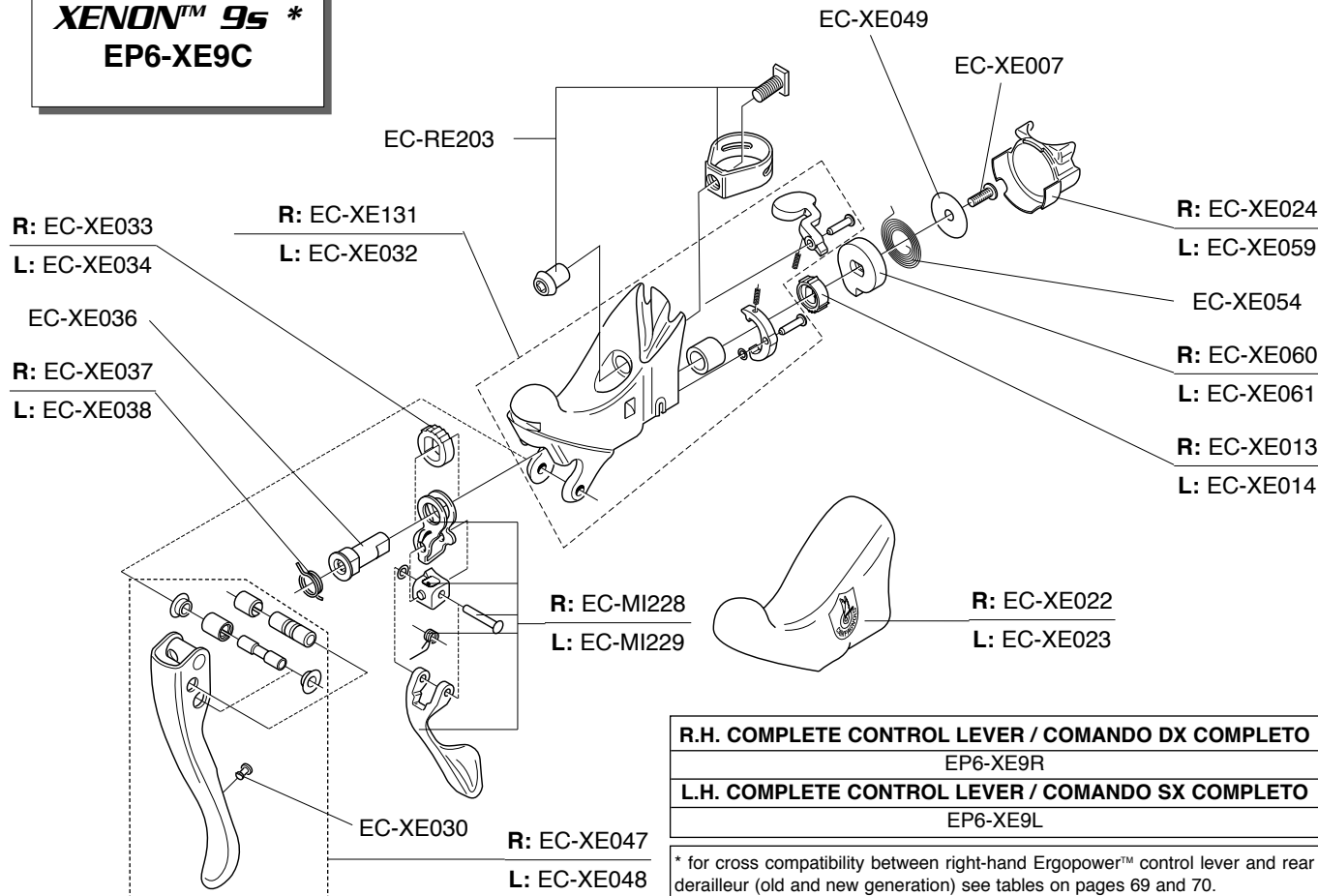
L.H. COMPLETE CONTROL LEVER / COMANDO SX COMPLETO

EP6-MI9L

* for cross compatibility between right-hand Ergopower™ control lever and rear derailleur (old and new generation) see tables on pages 69 and 70.

* per compatibilità incrociata tra cambi e comandi Ergopower™ di nuova e vecchia generazione vedi tabelle alle pagg. 69 e 70.

XENON™ 9s *
EP6-XE9C




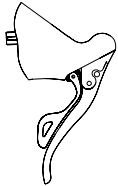
| |
|--|
| R.H. COMPLETE CONTROL LEVER / COMANDO DX COMPLETO |
| EP6-XE9R |
| L.H. COMPLETE CONTROL LEVER / COMANDO SX COMPLETO |
| EP6-XE9L |

* for cross compatibility between right-hand Ergopower™ control lever and rear derailleur (old and new generation) see tables on pages 69 and 70.
* per compatibilità incrociata tra cambi e comandi Ergopower™ di nuova e vecchia generazione vedi tabelle alle pagg. 69 e 70.

**CROSS COMPATIBILITY BETWEEN RIGHT-HAND ERGOPOWER™
CONTROL LEVERS AND REAR DERAILLEURS
(old and new generation)**

**COMPATIBILITÀ INCROCIATA TRA COMANDI ERGOPOWER™ DX E CAMBI
(nuova e vecchia generazione)**

ERGOPOWER™ CONTROL LEVERS / COMANDI ERGOPOWER™

| SPEED / VELOCITÀ | YEAR / ANNO | FEATURES / CARATTERISTICHE | | |
|------------------|-------------|--|---|----------------------|
| 8s | < 1988 | "old style" (pointed) body / corpo a punta |  | OLD STYLE |
| 9s | 1997 | "old style" (pointed) body / corpo a punta | | |
| 9s | 1998 | "new style" (rounded) body / corpo arrotondato | | |
| 9s | 1999-2000 | "new style" (rounded) body, ErgoBrain computer ready / corpo arrotondato, predisposizione ErgoBrain (pulsantino sul coprisupporto) |  | NEW STYLE |
| 9s | 2001-2006 | "9 speed" mark, "new style" (rounded) body, ErgoBrain computer ready / logo "9 speed" sul corpo, corpo arrotondato, predisposizione ErgoBrain (pulsantino sul coprisupporto) | | |
| 10s | 2000-2006 | "10 speed" mark, "new style" (rounded) body, ErgoBrain computer ready / logo "10 speed" sul corpo, corpo arrotondato, predisposizione ErgoBrain (pulsantino sul coprisupporto) | | |

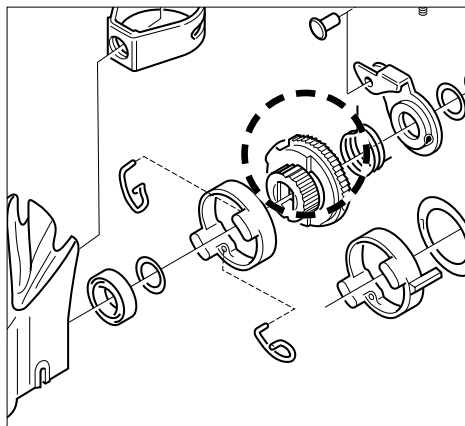
REAR DERAILLEUR / CAMBIO

| SPEED / VELOCITÀ | YEAR / ANNO | FEATURES / CARATTERISTICHE |
|------------------|-------------|---|
| 8s | < 1998 | adjusting system on the upper body / sistema di registrazione sul corpo superiore |
| 9s | 1997-2000 | adjusting system on the upper body / sistema di registrazione sul corpo superiore |
| 9s | 2001-2006 | adjusting system on the lower body / sistema di registrazione sul corpo inferiore |



**CROSS COMPATIBILITY BETWEEN RIGHT-HAND ERGOPOWER™
CONTROL LEVERS AND REAR DERAILLEURS
(old and new generation)**

**COMPATIBILITÀ INCROCIATA TRA COMANDI ERGOPOWER™ DX E CAMBI
(nuova e vecchia generazione)**

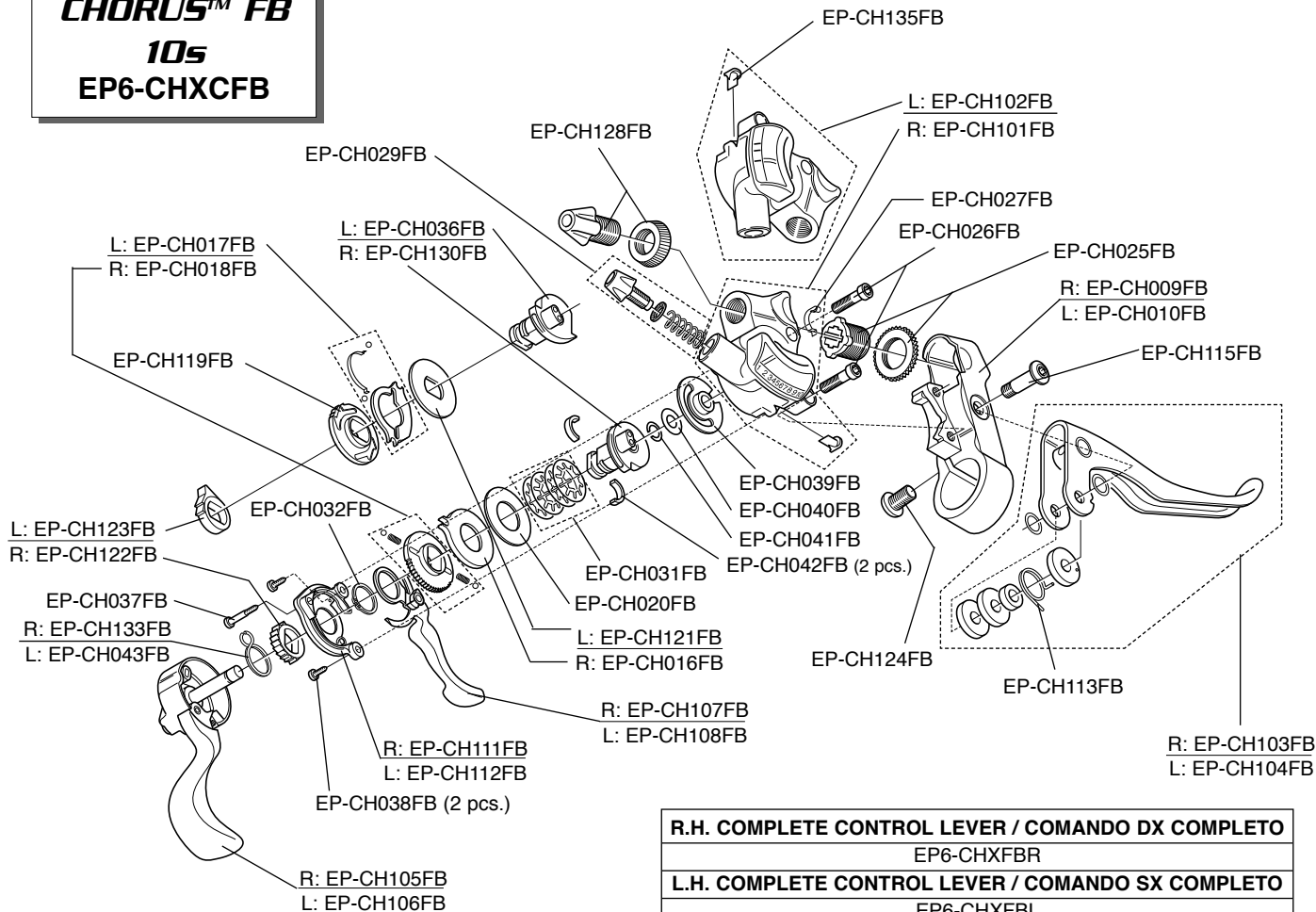


The codes in the table are referring to the indexing ratchet of the right-hand Ergopower™ (see the figure). To ensure the compatibility between replace the indexing ratchet with the one indicated in the table (referring to the rear derailleur / Ergopower™ control levers combination).

I codici in tabella si riferiscono alla bussola dentata (evidenziata in figura) del comando dx Ergopower™: per assicurare la compatibilità tra cambio ed Ergopower destro, va eventualmente sostituita la bussola dentata esistente con quella indicata in tabella (a seconda della combinazione cambio / comandi Ergopower™).

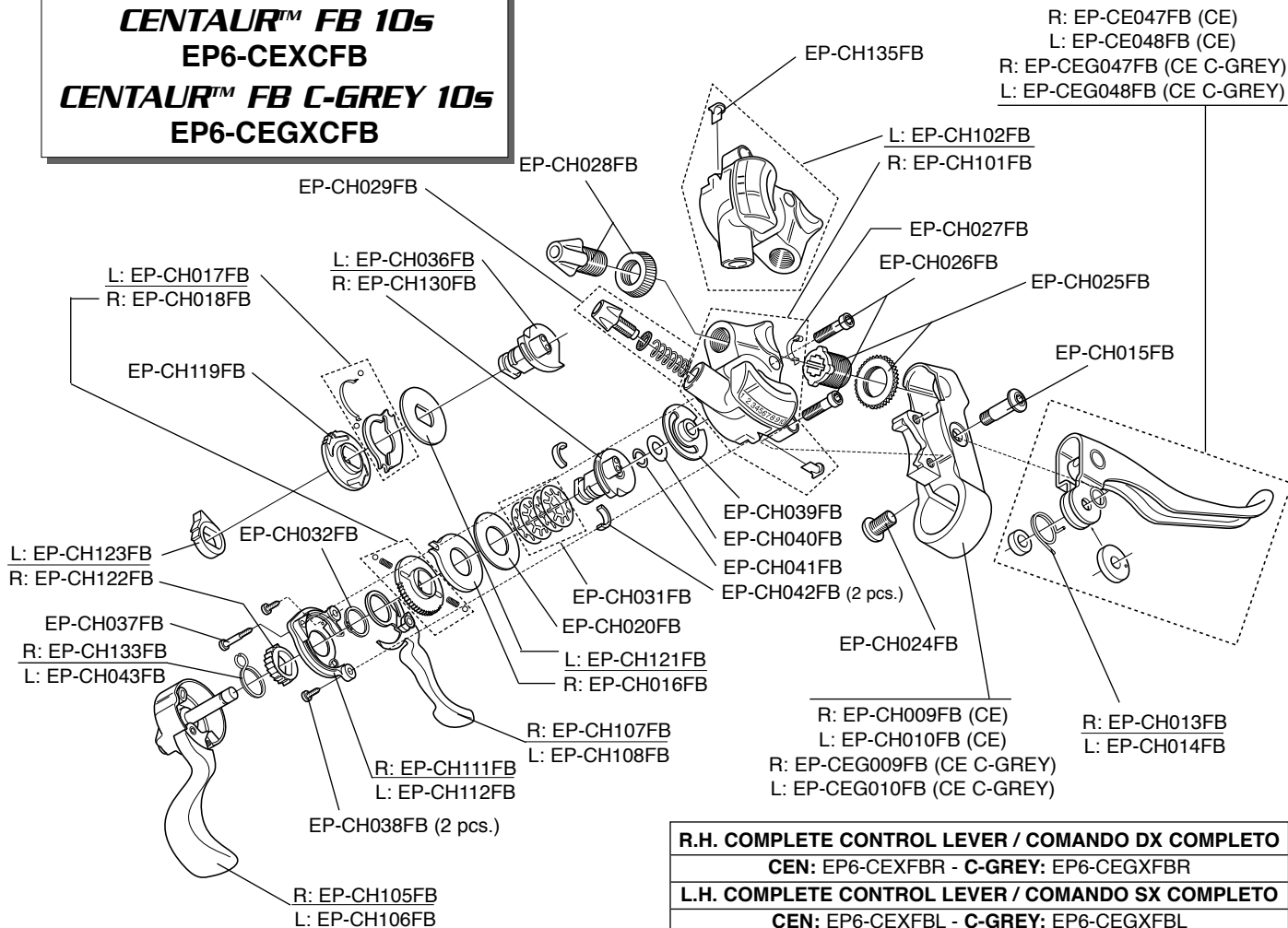
| | 9s 2001-2006 rear derailleur / cambio 9s 2001-2006 | 9s 1997-2000 rear derailleur / cambio 9s 1997-2000 | 8s rear derailleur / cambio 8s |
|--------------------------|---|---|-----------------------------------|
| Ergopower™ 8s | OK * (with C9 chain / con catena C9) | OK * (with C9 chain / con catena C9) | OK |
| Ergopower™ 9s 1999-2000 | EC-RE063 | OK | EC-RE060 |
| Ergopower™ 9s 2001-2006 | OK | EC-RE313 | EC-RE060 |
| Ergopower™ 10s 2000-2006 | EC-RE063 | EC-RE313 | EC-RE060 |

CHORUS™ FB
10s
EP6-CHXCFB



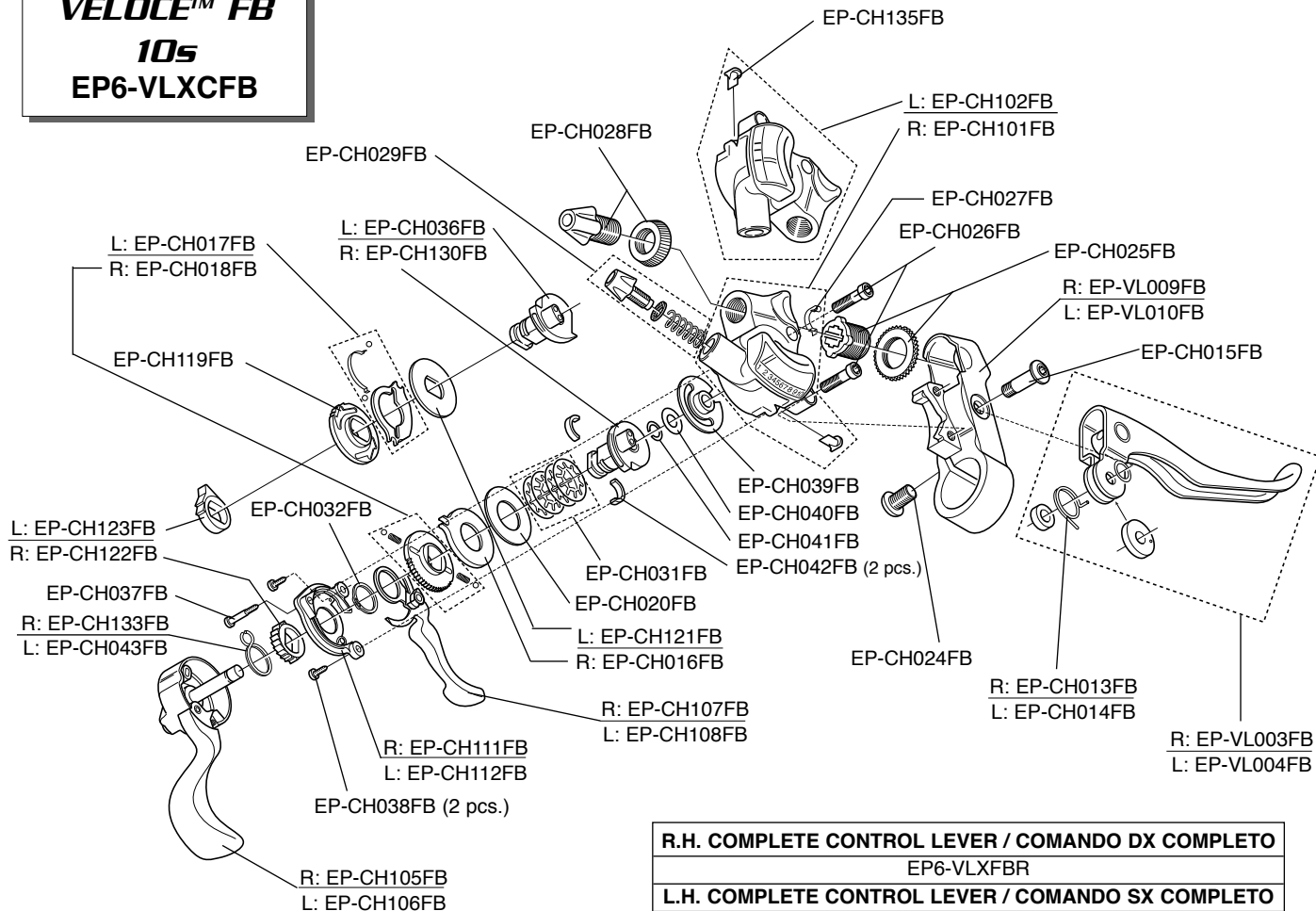
| |
|--|
| R.H. COMPLETE CONTROL LEVER / COMANDO DX COMPLETO |
| EP6-CHXFBR |
| L.H. COMPLETE CONTROL LEVER / COMANDO SX COMPLETO |
| EP6-CHXFBL |

**CENTAUR™ FB 10s
EP6-CEXCFB
CENTAUR™ FB C-GREY 10s
EP6-CEGXCFB**



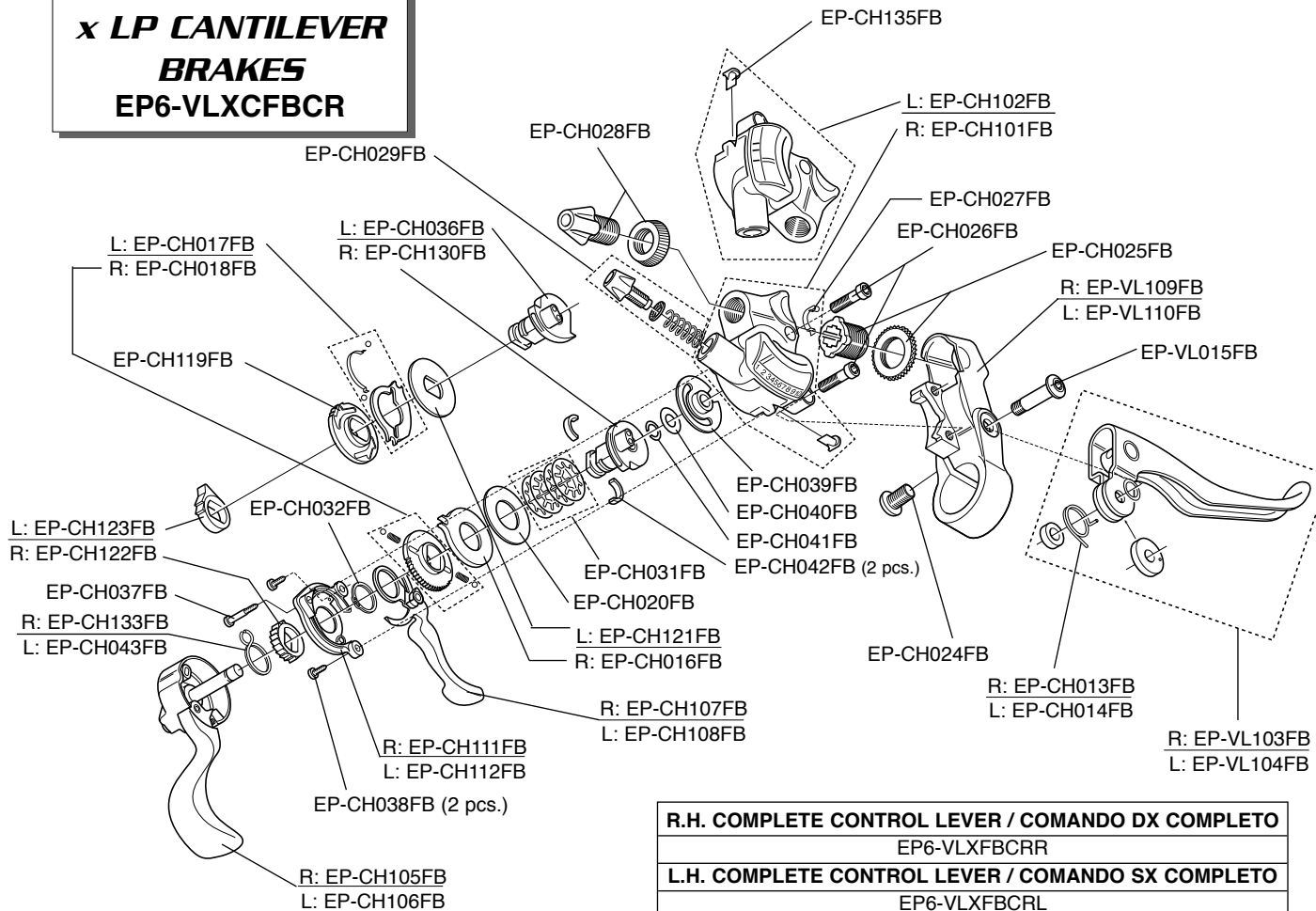
| |
|--|
| R.H. COMPLETE CONTROL LEVER / COMANDO DX COMPLETO |
| CEN: EP6-CEXFBR - C-GREY: EP6-CEGXFBR |
| L.H. COMPLETE CONTROL LEVER / COMANDO SX COMPLETO |
| CEN: EP6-CEXFBL - C-GREY: EP6-CEGXFBL |

VELOCE™ FB
10s
EP6-VLXCFB



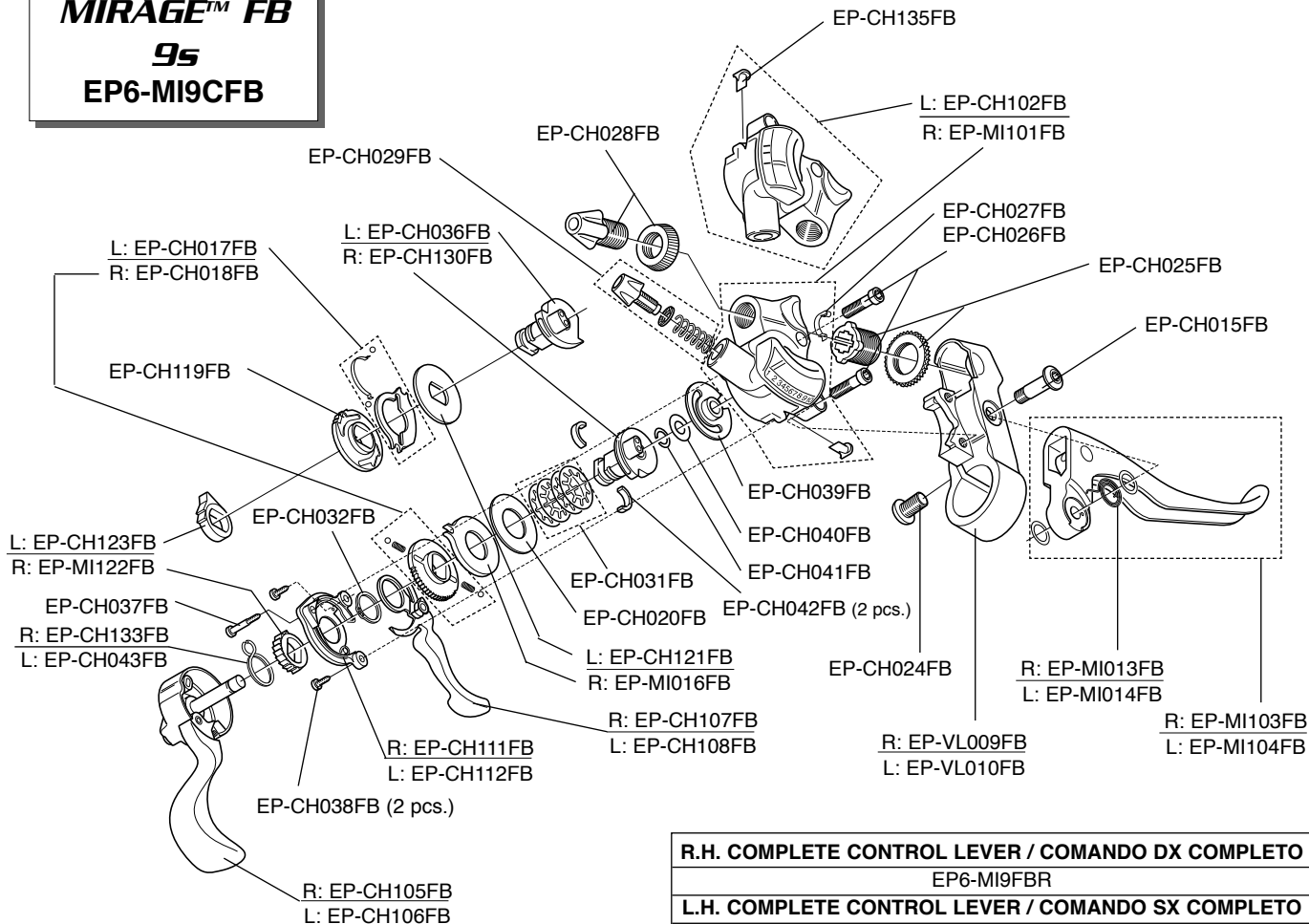
| |
|--|
| R.H. COMPLETE CONTROL LEVER / COMANDO DX COMPLETO |
| EP6-VLXFBR |
| L.H. COMPLETE CONTROL LEVER / COMANDO SX COMPLETO |
| EP6-VLXFBL |

**VELOCE™ FB 10s
x LP CANTILEVER
BRAKES
EP6-VLXCFBCR**



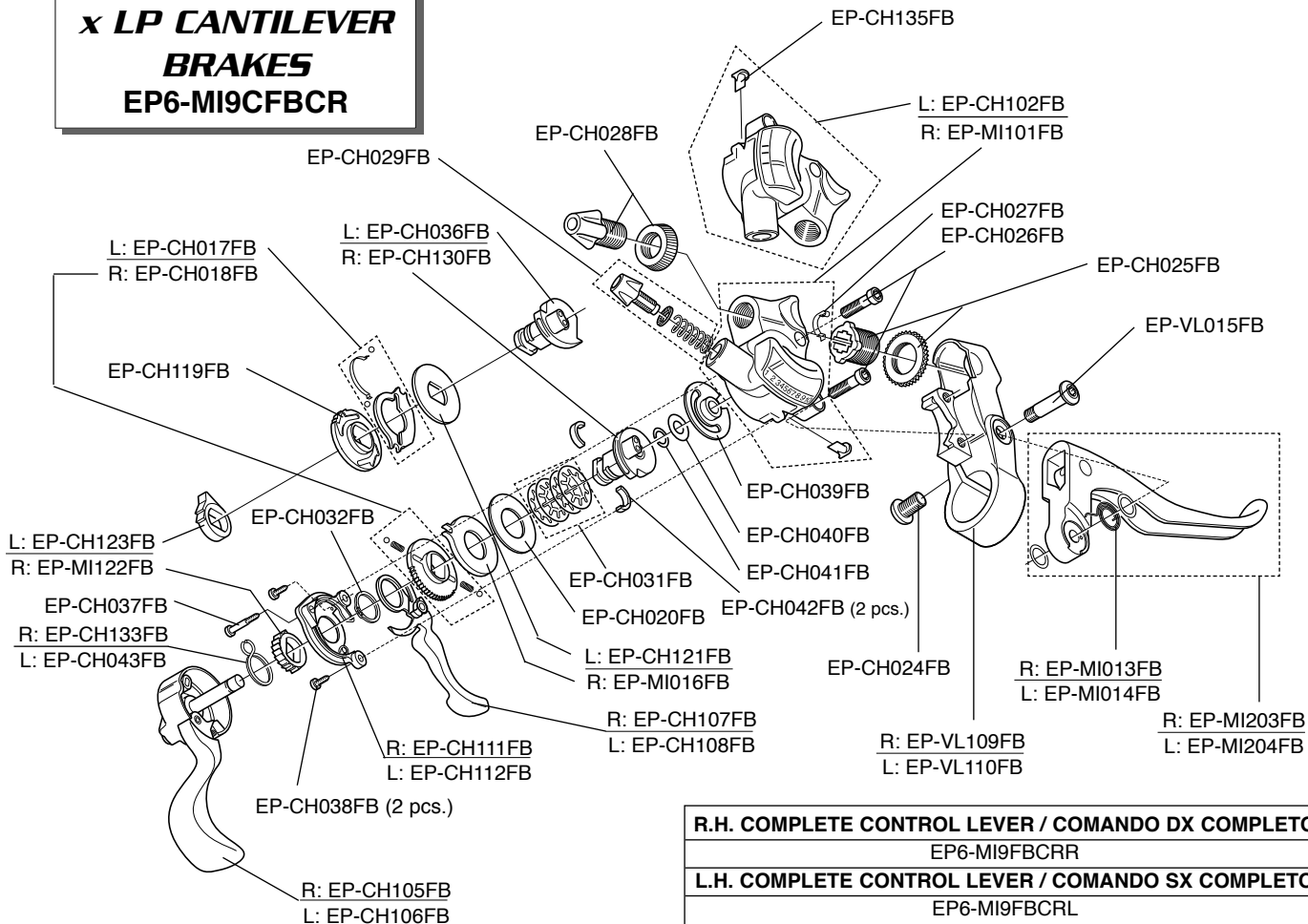
| |
|--|
| R.H. COMPLETE CONTROL LEVER / COMANDO DX COMPLETO |
| EP6-VLXFCBRR |
| L.H. COMPLETE CONTROL LEVER / COMANDO SX COMPLETO |
| EP6-VLXFCBRL |

MIRAGE™ FB
9s
EP6-MI9CFB



| |
|--|
| R.H. COMPLETE CONTROL LEVER / COMANDO DX COMPLETO |
| EP6-MI9FBR |
| L.H. COMPLETE CONTROL LEVER / COMANDO SX COMPLETO |
| EP6-MI9FBL |

**MIRAGE™ FB 10s
x LP CANTILEVER
BRAKES
EP6-MI9CFBCR**

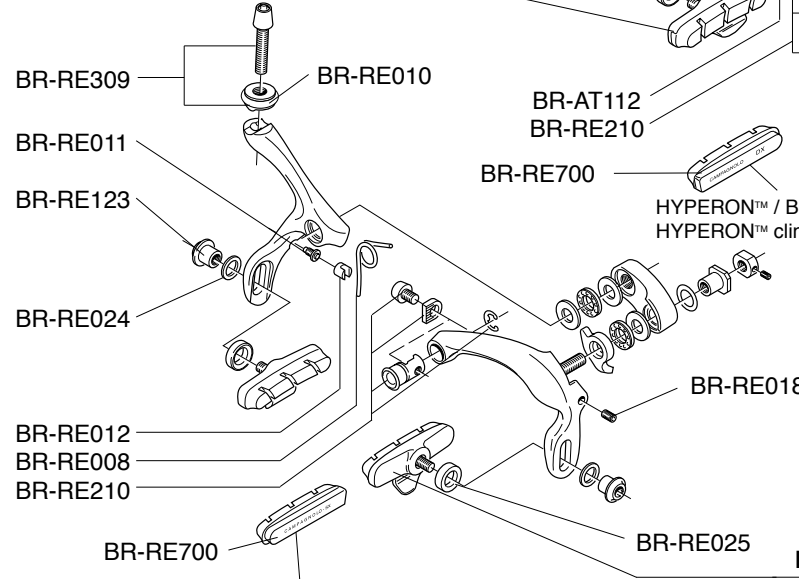


| |
|--|
| R.H. COMPLETE CONTROL LEVER / COMANDO DX COMPLETO |
| EP6-MI9FBCRR |
| L.H. COMPLETE CONTROL LEVER / COMANDO SX COMPLETO |
| EP6-MI9FBCRL |

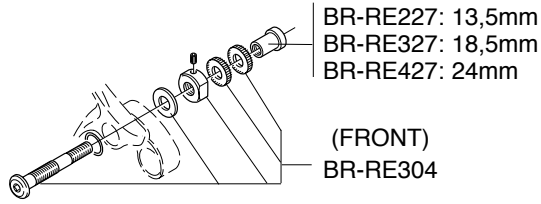
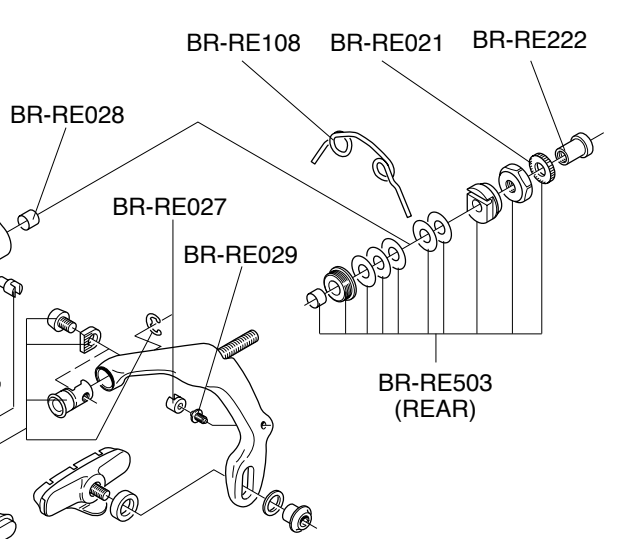
RECORD™-D
BR4-RED “black”
BR02-RED “silver”

R: “black” BR-RE206 - “silver” BR-RE106

L: “black” BR-RE207 - “silver” BR-RE107



HYPERON™ / BORA™ tubular only: BR-RE701 (Campy) - BR-RE701X (Dura-Ace)
 HYPERON™ clincher only: BR-RE702 (Campy) - BR-RE702X (Dura-Ace)

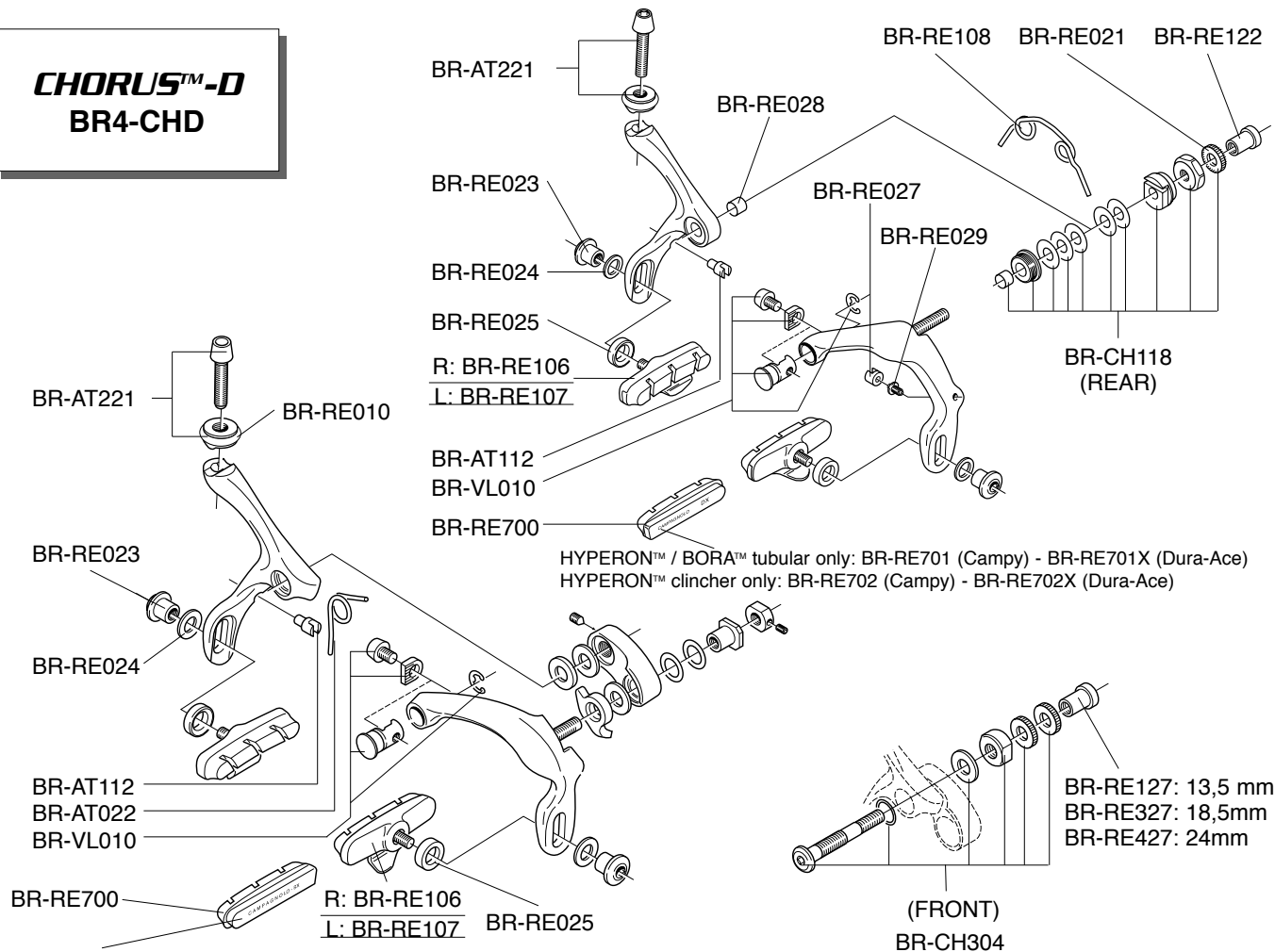


R: “black” BR-RE206 - “silver” BR-RE106

L: “black” BR-RE207 - “silver” BR-RE107

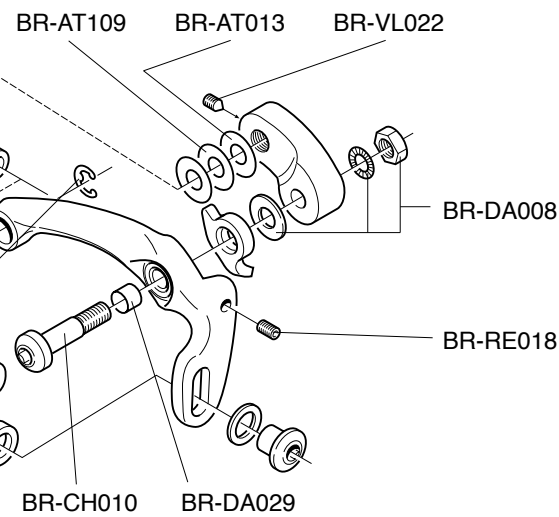
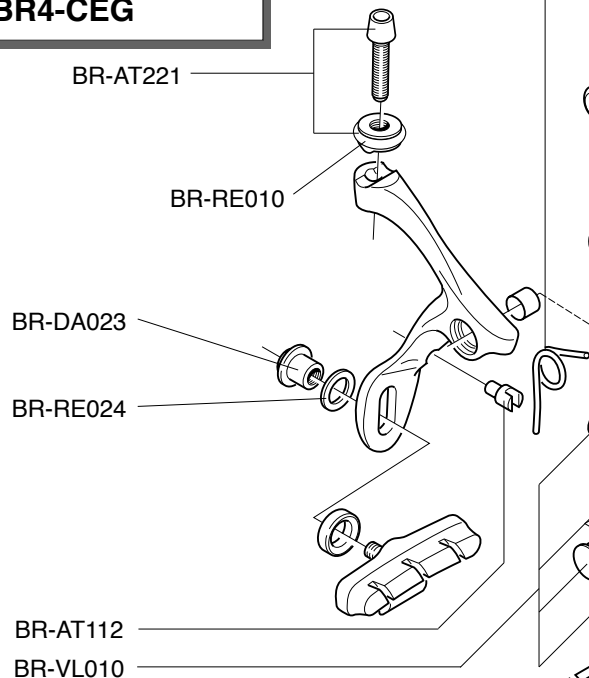
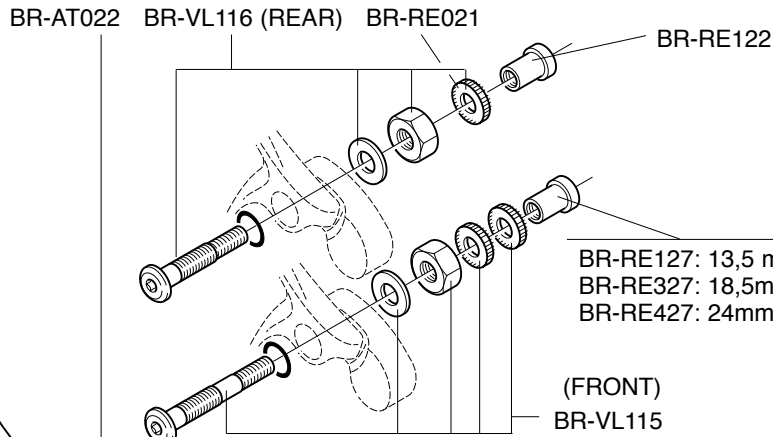
BRAKES

CHORUS™-D BR4-CHD

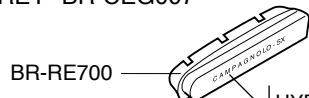


HYPERON™ / BORA™ tubular only: BR-RE701 (Campy) - BR-RE701X (Dura-Ace)
HYPERON™ clincher only: BR-RE702 (Campy) - BR-RE702X (Dura-Ace)

CENTAUR™
BR4-CE
CENTAUR™ C-GREY
BR4-CEG

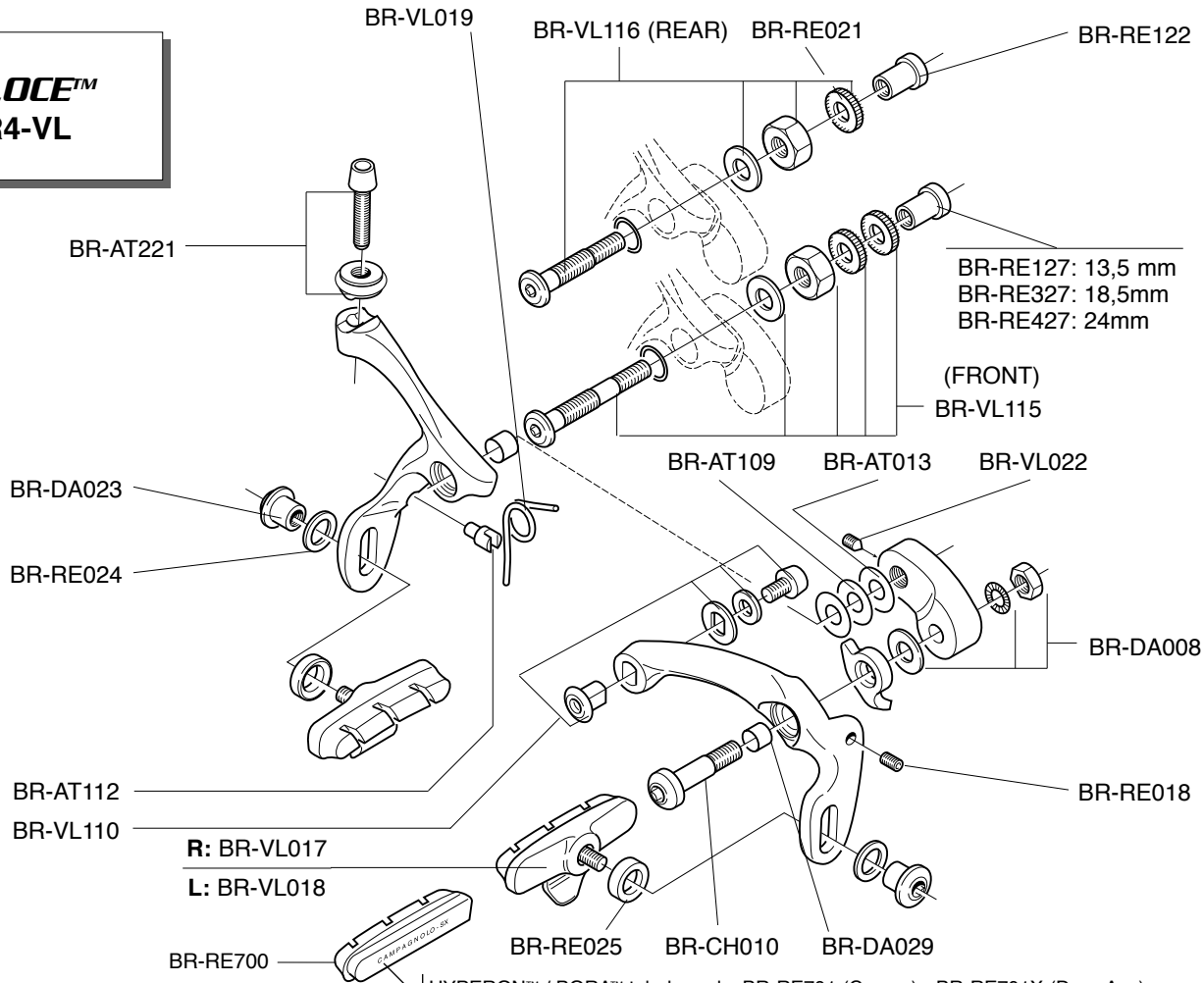


R: "CEN" BR-RE106 - "C-GREY" BR-CEG006
 L: "CEN" BR-RE107 - "C-GREY" BR-CEG007



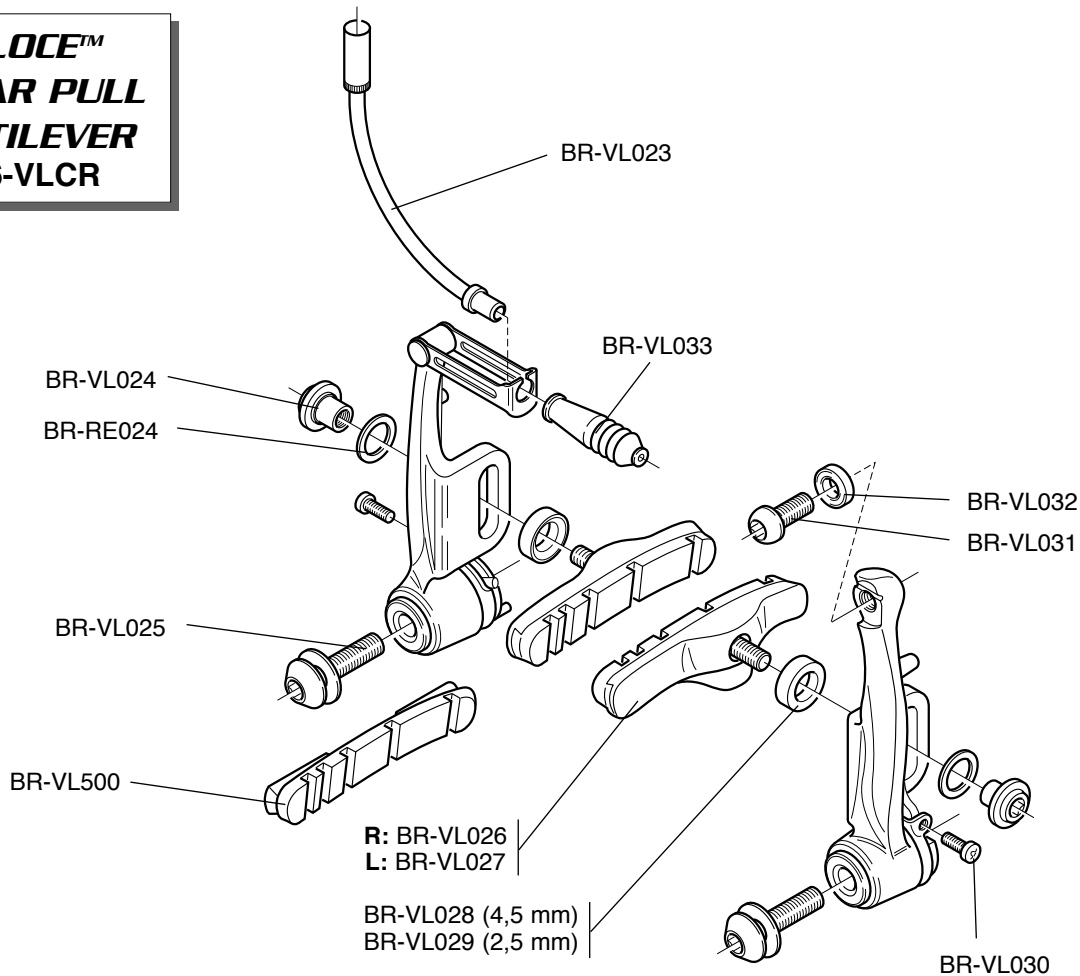
HYPERON™ / BORA™ tubular only: BR-RE701 (Campy) - BR-RE701X (Dura-Ace)
 HYPERON™ clincher only: BR-RE702 (Campy) - BR-RE702X (Dura-Ace)

VELOCE™ BR4-VL

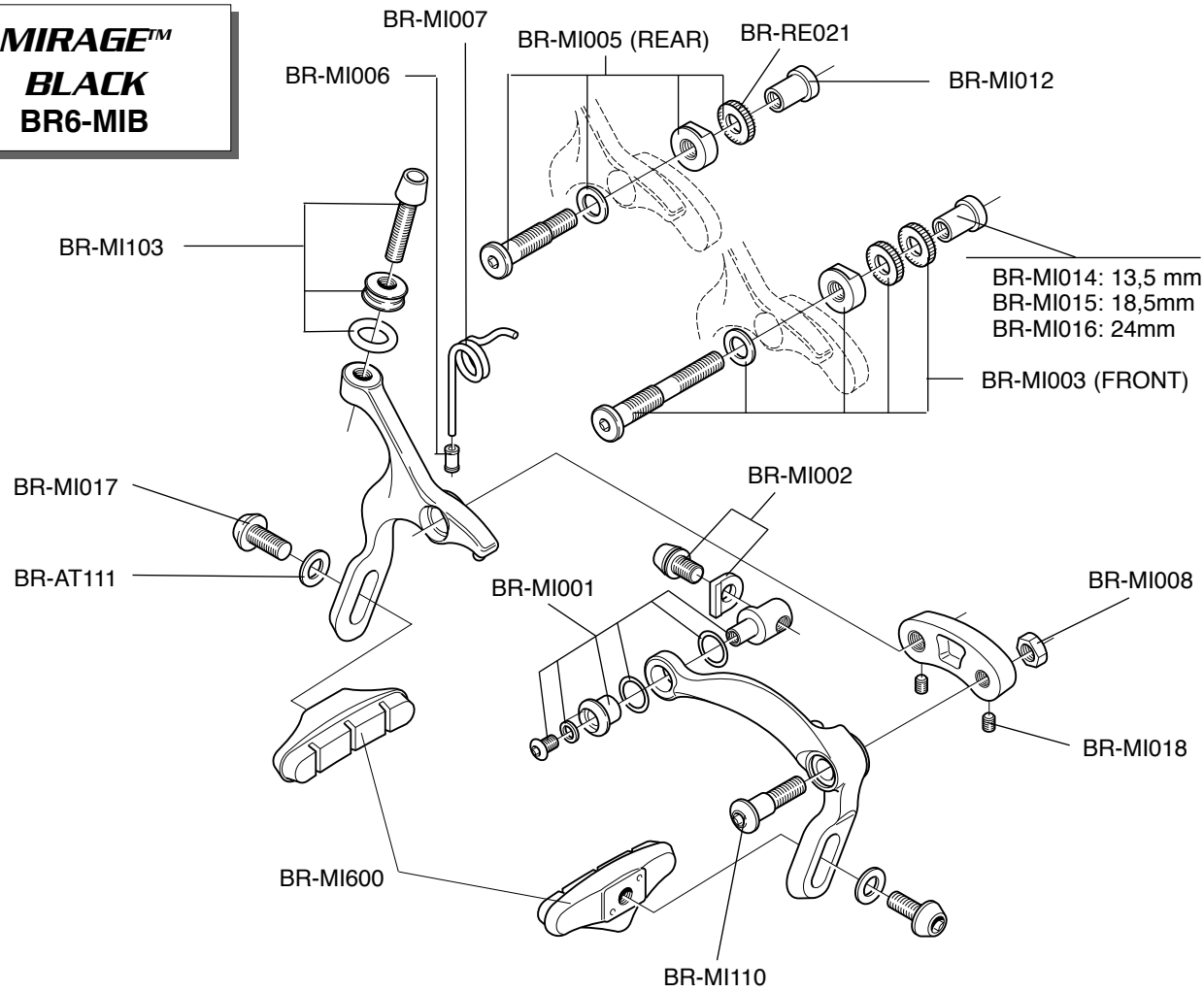


HYPERON™ / BORA™ tubular only: BR-RE701 (Campy) - BR-RE701X (Dura-Ace)
HYPERON™ clincher only: BR-RE702 (Campy) - BR-RE702X (Dura-Ace)

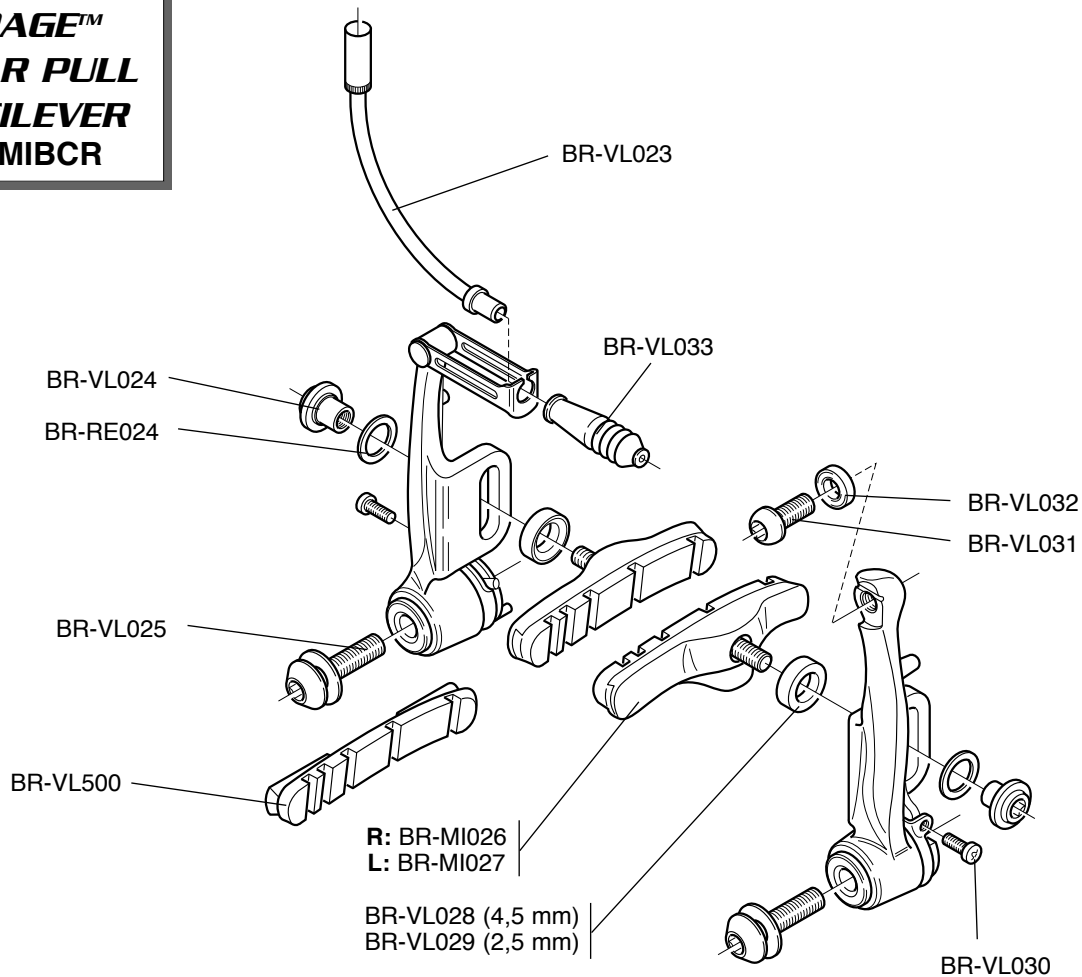
VELOCE™
LINEAR PULL
CANTILEVER
BR6-VLCR



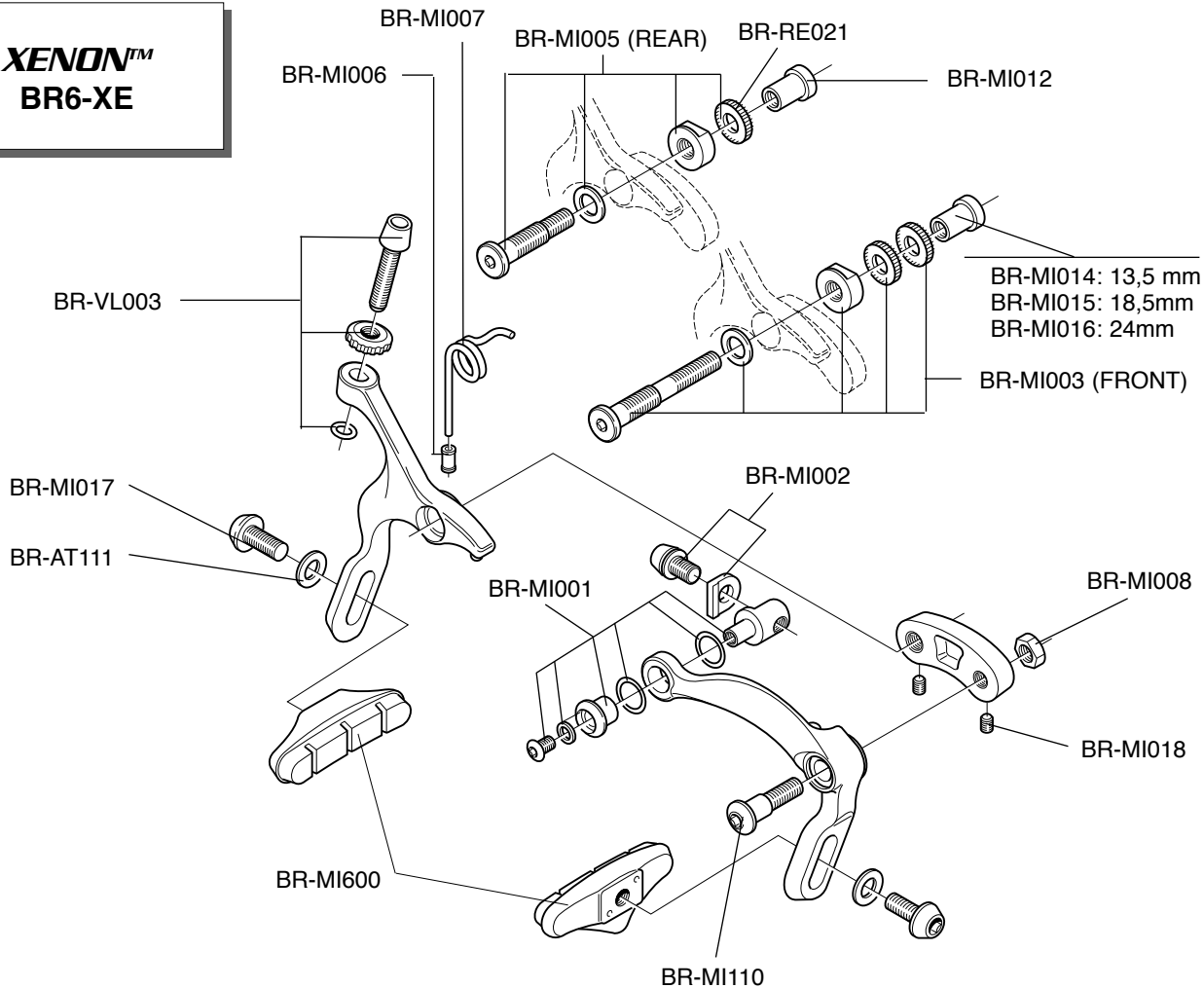
MIRAGE™
BLACK
BR6-MIB



**MIRAGE™
LINEAR PULL
CANTILEVER
BR6-MIBCR**



XENON™ BR6-XE



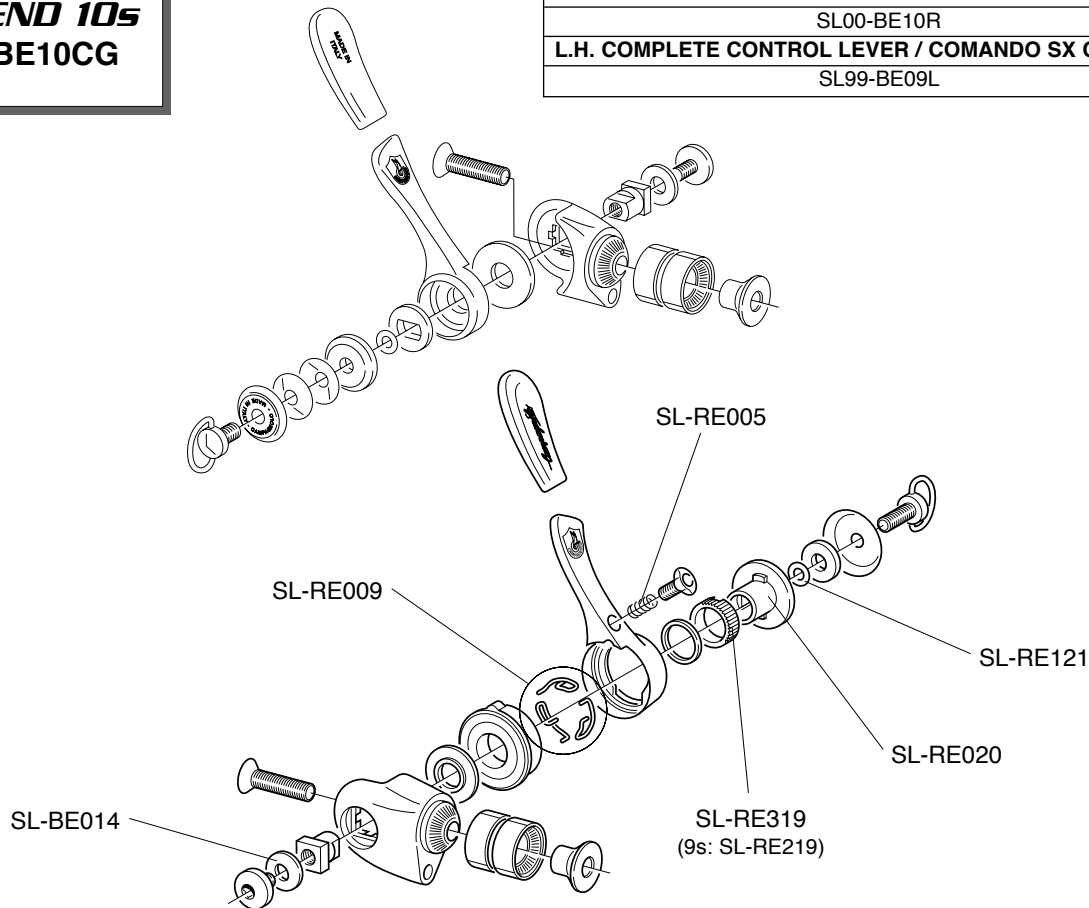
BAR-END 10s
SL00-BE10CG

R.H. COMPLETE CONTROL LEVER / COMANDO DX COMPLETO

SL00-BE10R

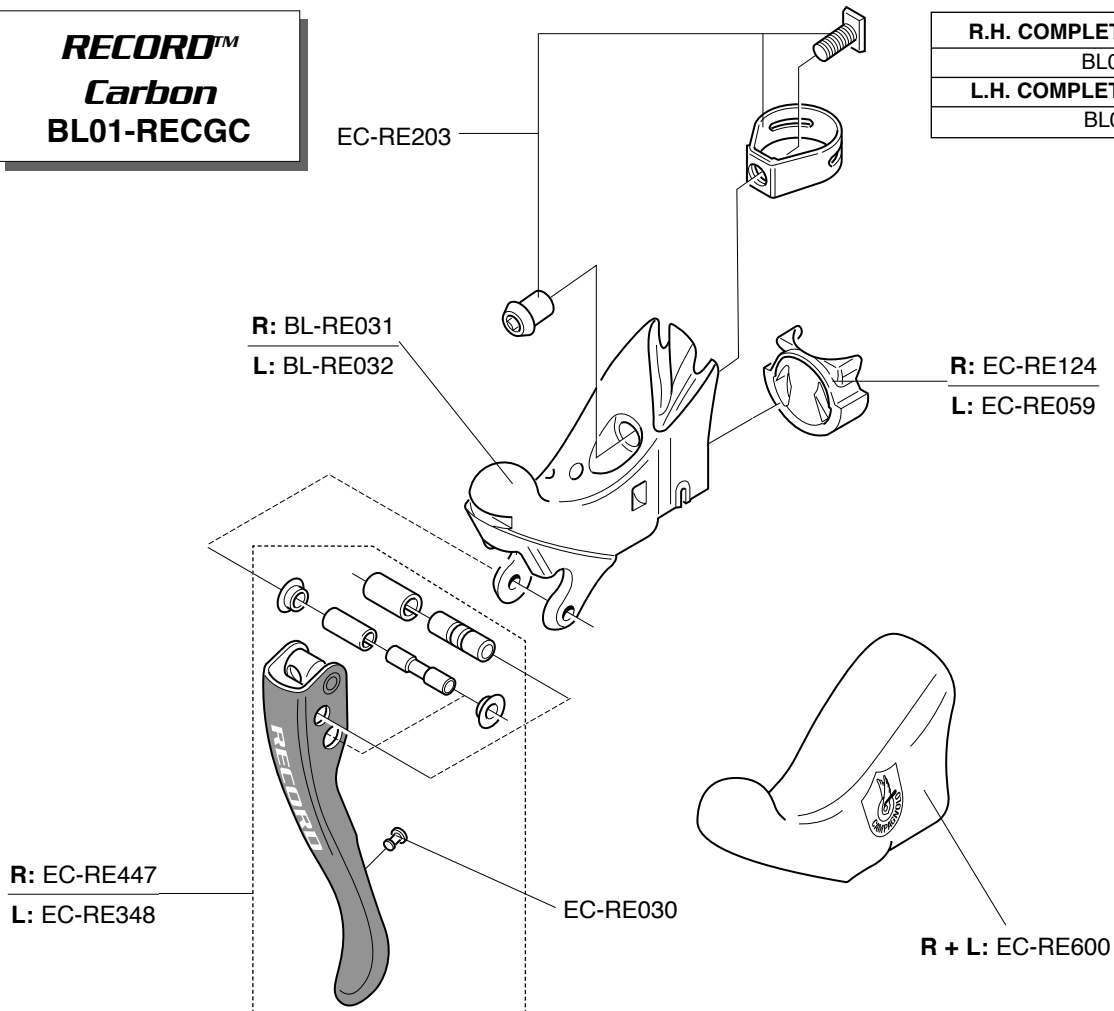
L.H. COMPLETE CONTROL LEVER / COMANDO SX COMPLETO

SL99-BE09L



RECORD™
Carbon
BL01-RECGC

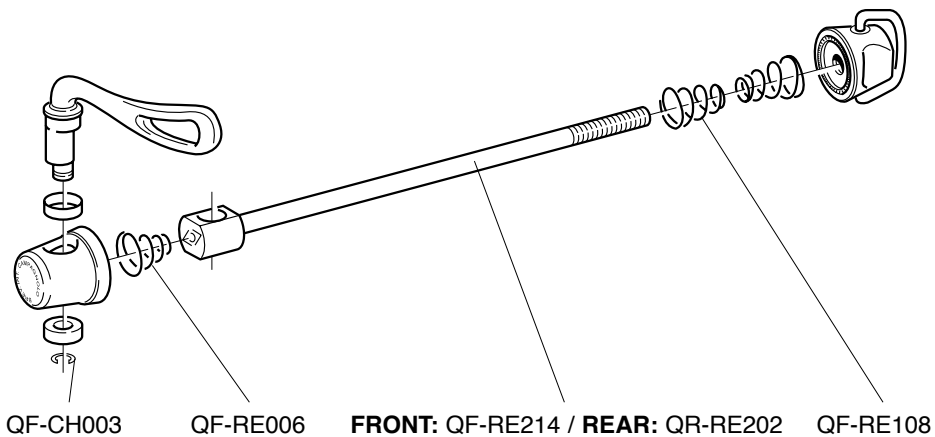
| |
|------------------------------------|
| R.H. COMPLETE / DX COMPLETO |
| BL01-RECR |
| L.H. COMPLETE / SX COMPLETO |
| BL01-RECL |



RECORD™

front: QF-RE121

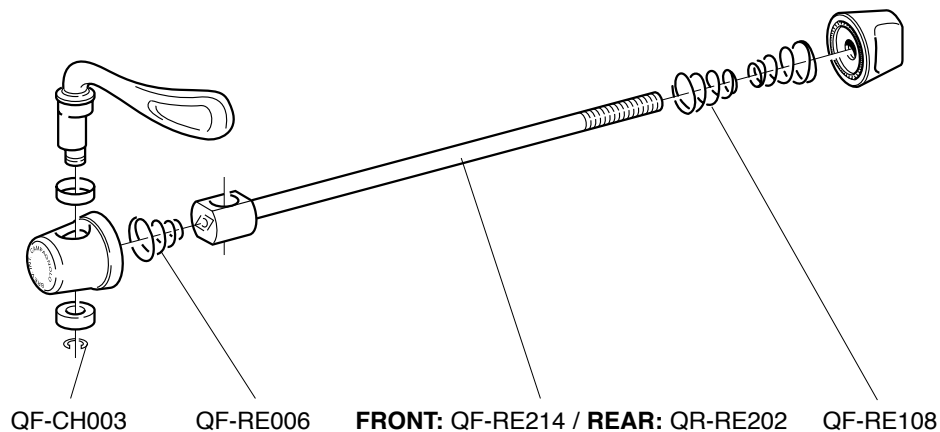
rear: QR-RE121



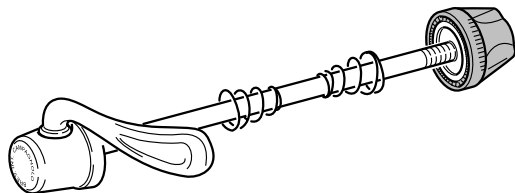
CHORUS™

front: QF-CH111

rear: QR-CH111



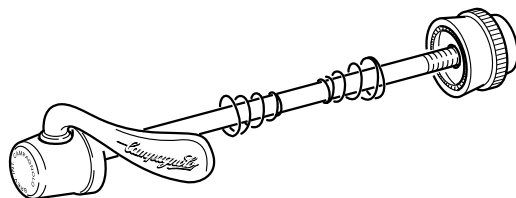
CENTAUR™



FRONT: QF-AT101

REAR: QR-AT101

VELOCE™

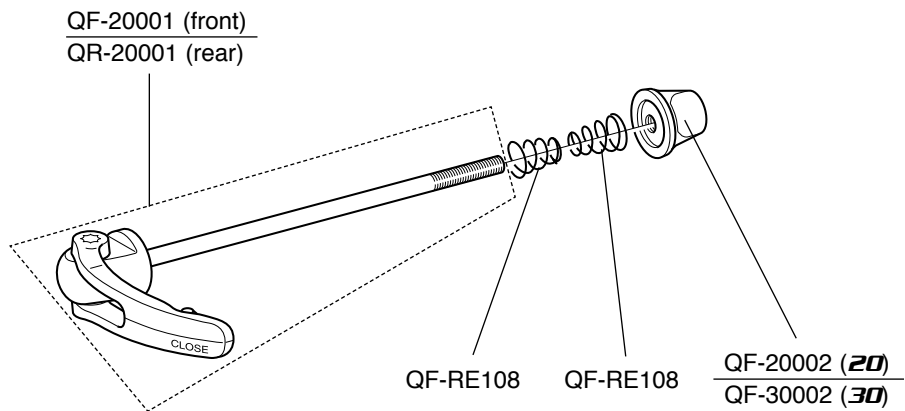


FRONT: QF-VL001

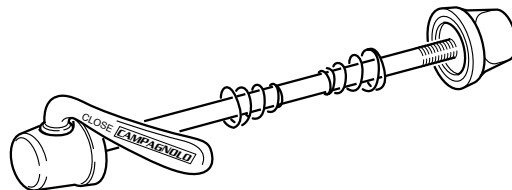
REAR: QR-VL001

QF6-20 (front)
QR6-20 (rear)

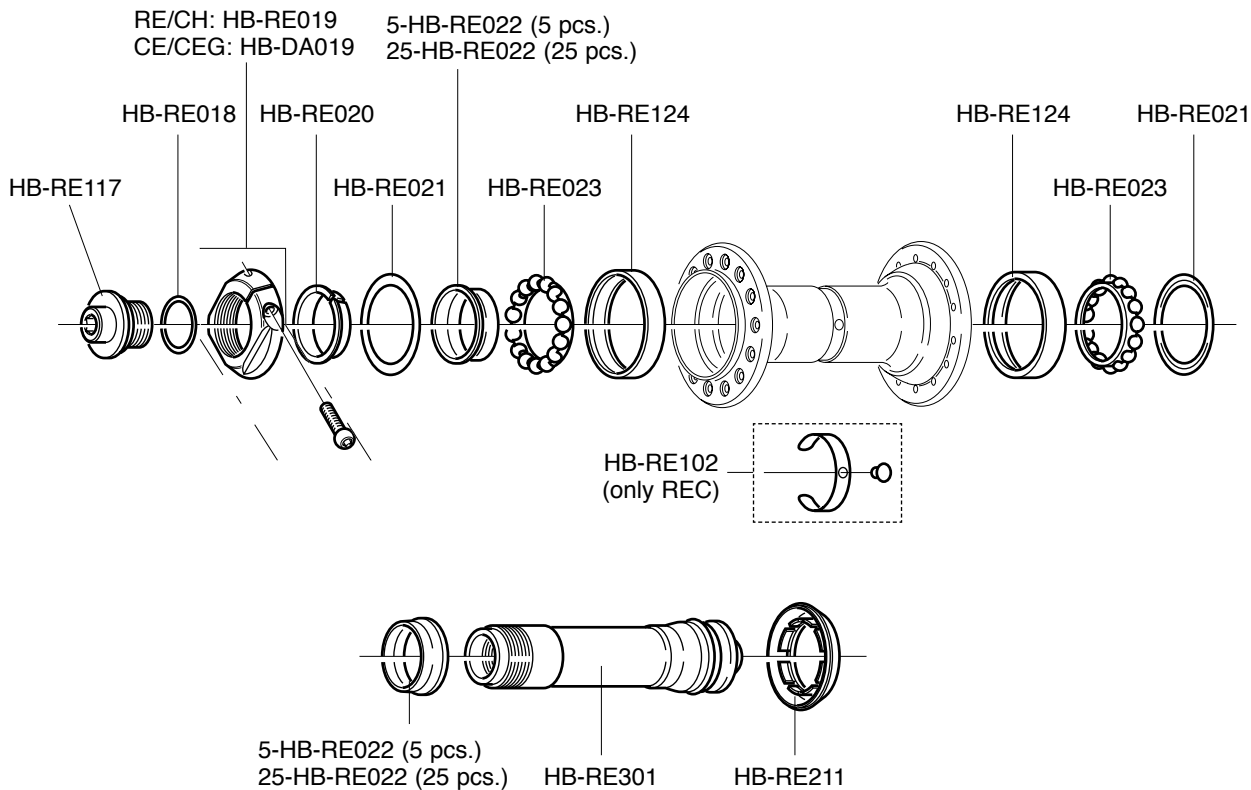
QF6-30 (front)
QR6-30 (rear)



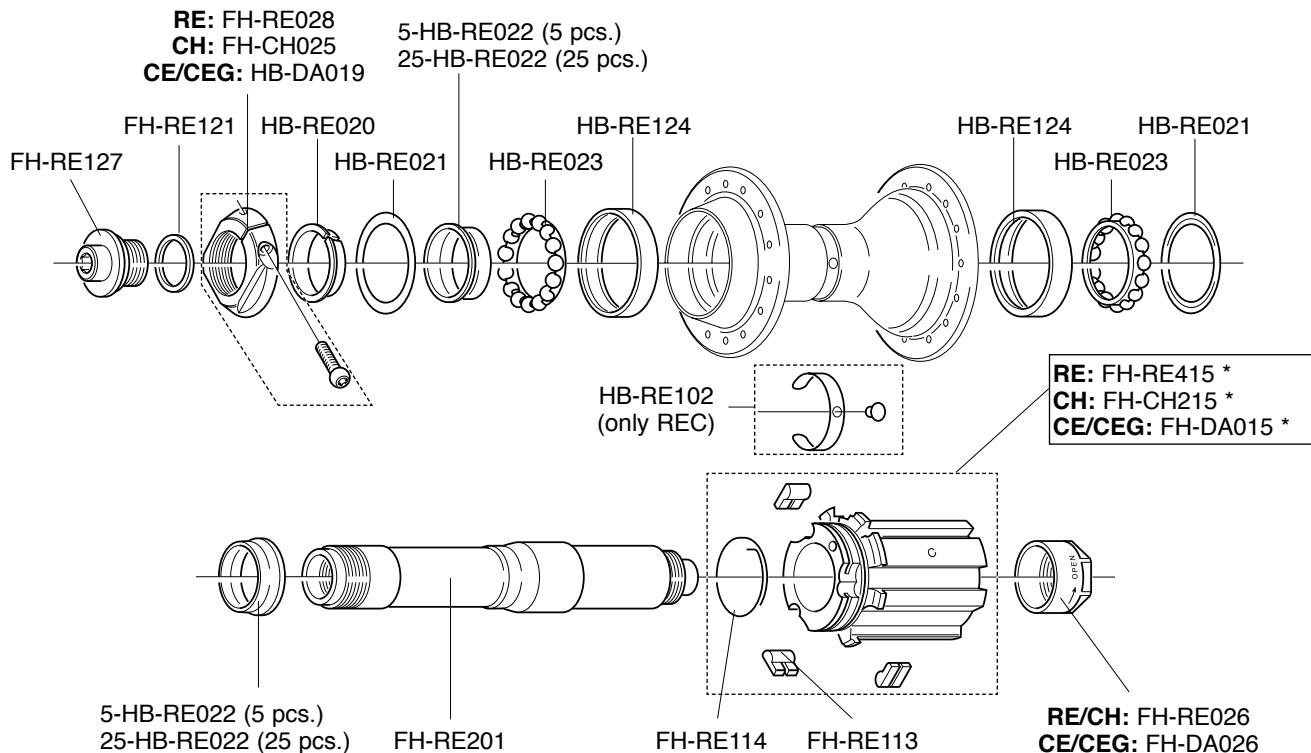
QF6-40 (front)
QR6-40 (rear)



RECORD™ HB02-RE..
CHORUS™ HB02-CH..
CENTAUR™ HB02-CE..
CENTAUR™ CENTURY GREY HB4-CEG.

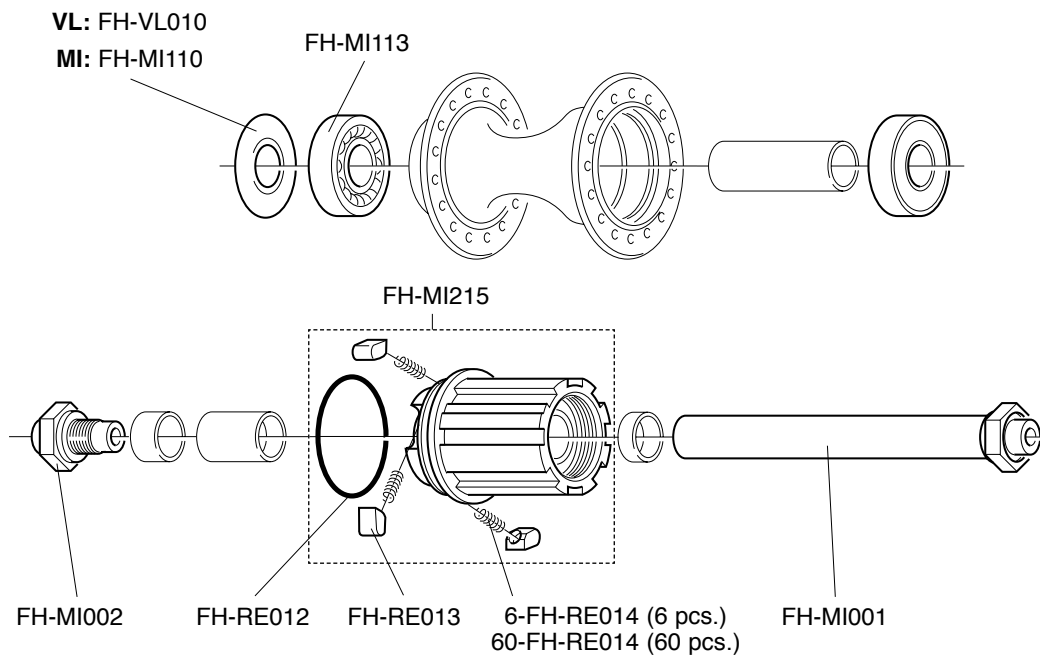
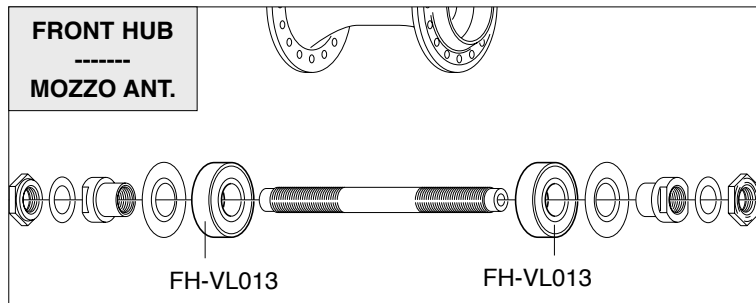


RECORD™ 9s/10s FH02-RE..
CHORUS™ 9s/10s FH02-CH..
CENTAUR™ 9s/10s FH02-CE..
CENTAUR™ CENTURY GREY 9s/10s FH4-CE.



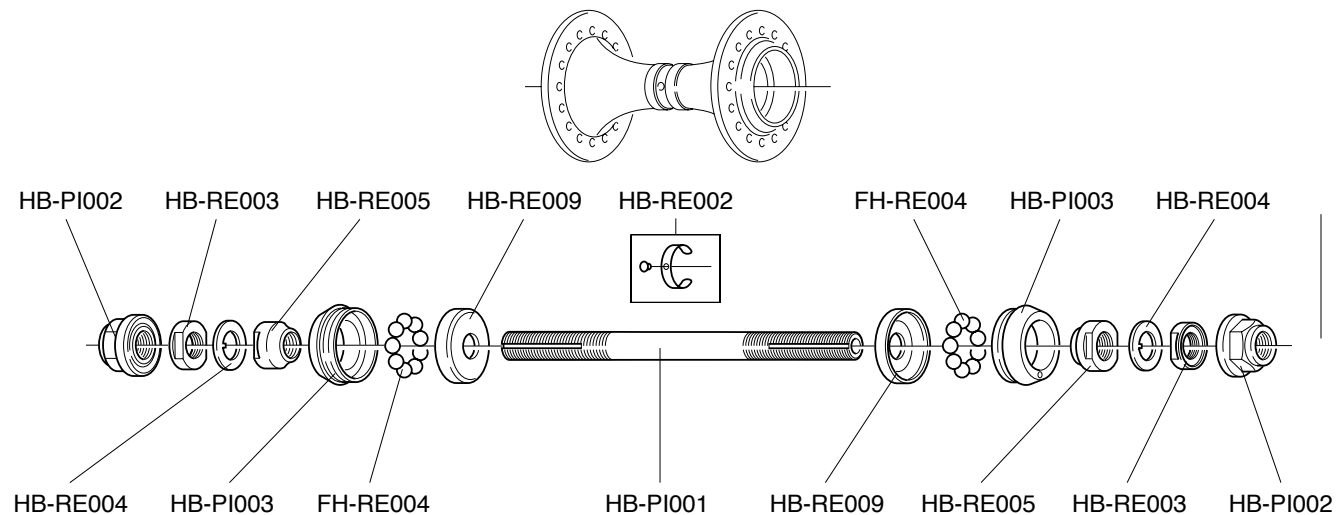
* HG 8/9/10 type FW body / corpetto RL tipo HG 8/9/10: **WH-KX1** (RECORD™ type) **WH-KX2** (CHORUS™ type)

VELOCE™ 9s/10s FH02-VL..
MIRAGE™ 9s FH4-MIB.



* HG 8/9/10 type FW body / corpetto RL tipo HG 8/9/10: **WH-KX3**

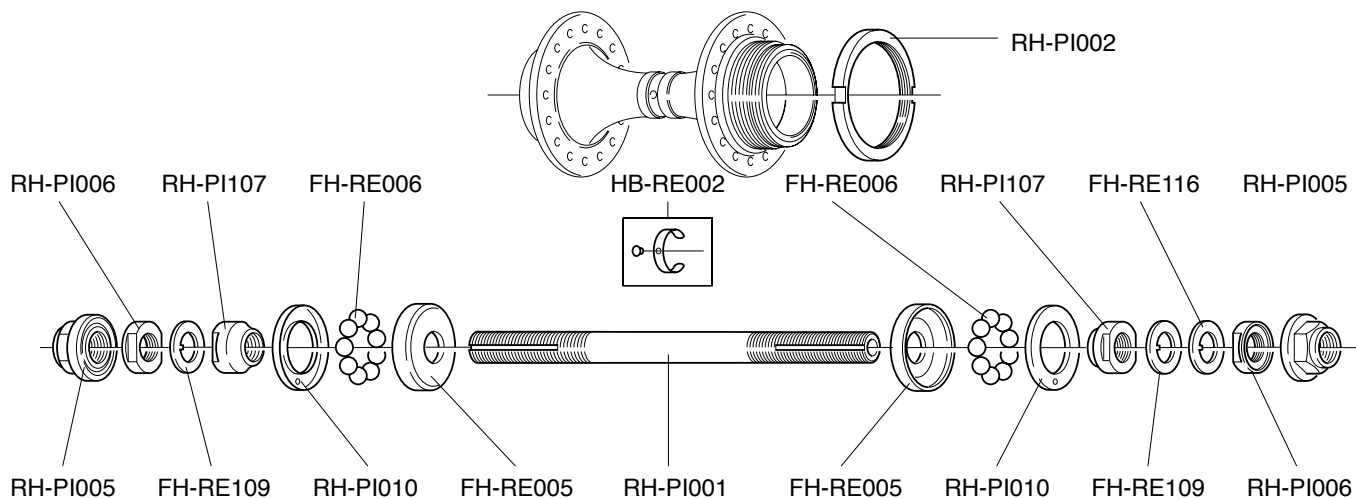
RECORD™
PISTA™
HB02-REPL.

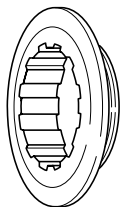


FRONT HUB

REAR HUB

RECORD™
PISTA™
FH02-REPI..





| CODE CODICE | TYPE TIPO | RANGE GAMMA | HUB COMPATIBILITY COMPATIBILITÀ MOZZI | |
|----------------|---|--------------------------------|---|---|
| CS-401 | <i>9s / 10s</i> "oversize" thread/fil.: 27 x 1 | steel / acciaio | 2000 e succ. 2000 and following | all groups / tutti i gruppi all wheels / tutte le ruote |
| | | | 1999 | RECORD™ - CHORUS™ all wheels / tutte le ruote |
| CS-501 | <i>9s / 10s</i> "oversize" thread/fil.: 27 x 1 | steel / acciaio (for Z. 11) | 2000 e succ. 2000 and following | all groups / tutti i gruppi all wheels / tutte le ruote |
| | | | 1999 | RECORD™ - CHORUS™ all wheels / tutte le ruote |
| CS-101T | <i>9s / 10s</i> "oversize" thread/fil.: 27 x 1 | titanium / titanio | 2000 e succ. 2000 and following | all groups / tutti i gruppi all wheels / tutte le ruote |
| | | | 1999 | RECORD™ - CHORUS™ all wheels / tutte le ruote |
| CS-201 | <i>9s</i> thread/fil.: 26 x 1 | steel / acciaio | 1999 | ATHENA™ - VELOCE™ - MIRAGE™ |
| | | | 1998 / 1997 | 9s groups / gruppi 9s 9s wheels / ruote 9s |
| CS-001T | <i>9s</i> thread/fil.: 26 x 1 | titanium / titanio | 1999 | ATHENA™ - VELOCE™ - MIRAGE™ |
| | | | 1998 / 1997 | 9s groups / gruppi 9s 9s wheels / ruote 9s '97 8s aluminum FW body / corpetto RL in alluminio 8s '97 |
| CS-001V | <i>8s</i> thread/fil.: 29 x 1 | steel / acciaio | 1999 e prec. 1999 and previous | all 8s hubs (with steel FW body) tutti i mozzi 8s (con corpetto TL in acciaio) |
| CS-701 | for sprockets/ per pignoni HG 10s thread/fil.: 27 x 1 | steel / acciaio | 2006 | all Campagnolo wheels with HG 10 type FW body / tutte le ruote Campagnolo con corpetto RL tipo HG 10 |

RECORD™
UD™ 10s
CSK00-RE10..

DISTANZIALI / SPACERS

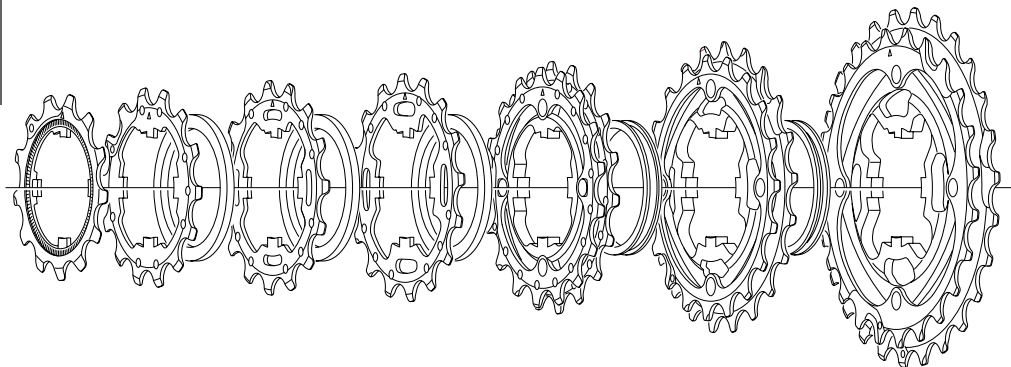
F = CS-601 (2,4 mm)

G = CS-602 (2,5 mm)

H = CS-603 (4,8 mm)

I = CS-604 (5 mm)

L = CS-605 (3,9 mm)



| | | | | | | | | | | | | | | |
|---------|-------------------|-------------------|---|----------------|---|----------------|---|---------------------|---|----------------------|---|----------------------|---|-----------------------|
| 11 - 21 | 11A-1° 9S-011 | 12A-2° 10S-022 | | 13A 10S-131 | F | 14A 10S-141 | F | 15A 10S-151 | F | 16A 10S-161 | G | 17A-18C* 10S-78CT | H | 19C-21C* 10S-91CT |
| 11 - 23 | 11A-1° 9S-011 | 12A-2° 10S-022 | | 13A 10S-131 | F | 14A 10S-141 | F | 15A 10S-151 | F | 16A 10S-161 | G | 17A-19A* 10S-79AT | H | 21A-23A* 10S-13AT |
| 12 - 23 | 12A-1° 10S-012 | 13A 10S-131 | F | 14A 10S-141 | F | 15A 10S-151 | F | 16A 10S-161 | I | 17A 10S-171 | G | 18A-19A* 10S-89AT | H | 21A-23A* 10S-113AT |
| 12 - 25 | 12A-1° 10S-012 | 13A 10S-131 | F | 14A 10S-141 | F | 15A 10S-151 | F | 16A-17A* 10S-67A | I | 19A-21A* 10S-91AT | L | 23A-25A* 10S-35AT | | |
| 13 - 26 | 13A-1° 10S-013 | 14A 10S-141 | F | 15A 10S-151 | F | 16A 10S-161 | F | 17A-18C* 10S-78C | I | 19C-21C* 10S-91CT | L | 23C-26C* 10S-36CT | | |
| 13 - 29 | 13A-1° 10S-013 | 14A 10S-141 | F | 15A 10S-151 | F | 16A 10S-161 | F | 17A-19A* 10S-79A | I | 21A-23A* 10S-13AT | L | 26A-29A* 10S-69AT | | |

* pre-assembled

RECORD™ UD™
TITANIUM 10s
CSK00-RE10..T

DISTANZIALI / SPACERS

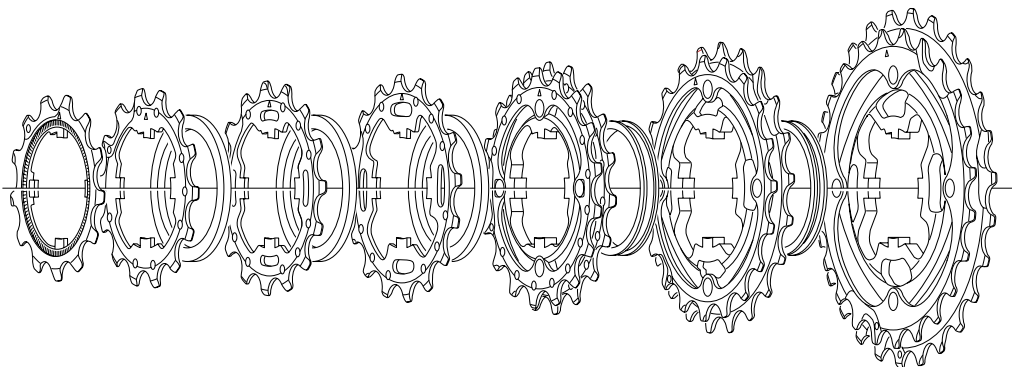
F = CS-601 (2,4 mm)

G = CS-602 (2,5 mm)

H = CS-603 (4,8 mm)

I = CS-604 (5 mm)

L = CS-605 (3,9 mm)



| | | | | | | | | | | | | | | |
|---------|--------------------|--------------------|---|-----------------|---|-----------------|---|----------------------|---|----------------------|---|----------------------|---|----------------------|
| 11 - 23 | 11A-1° 9S-011 | 12A-2° 10S-022T | | 13A 10S-131T | F | 14A 10S-141T | F | 15A 10S-151T | F | 16A 10S-161T | G | 17A-19A* 10S-79AT | H | 21A-23A* 10S-13AT |
| 12 - 25 | 12A-1° 10S-012T | 13A 10S-131T | F | 14A 10S-141T | F | 15A 10S-151T | F | 16A-17A* 10S-67AT | I | 19A-21A* 10S-91AT | L | 23A-25A* 10S-35AT | | |
| 13 - 26 | 13A-1° 10S-013T | 14A 10S-141T | F | 15A 10S-151T | F | 16A 10S-161T | F | 17A-18C* 10S-78CT | I | 19C-21C* 10S-91CT | L | 23C-26C* 10S-36CT | | |

* pre-assembled

CHORUS™
UD™ 10s
CSK00-CH10..

DISTANZIALI / SPACERS

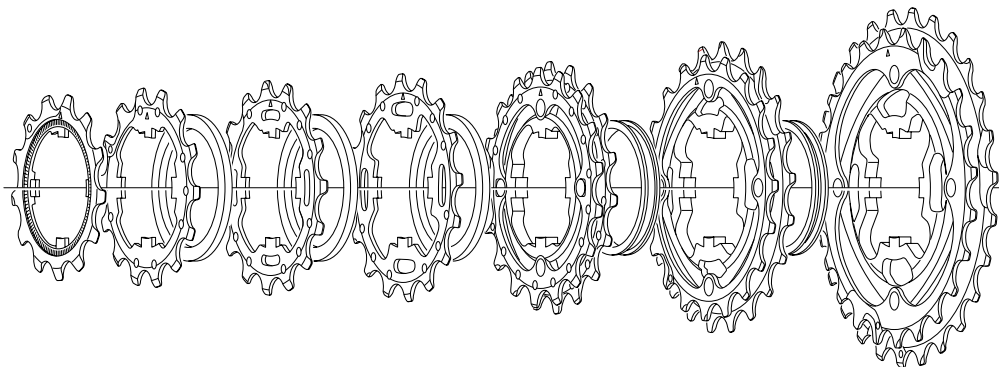
F = CS-601 (2,4 mm)

G = CS-602 (2,5 mm)

H = CS-603 (4,8 mm)

I = CS-604 (5 mm)

L = CS-605 (3,9 mm)



| | | | | | | | | | | | | | | |
|---------|-------------------|-------------------|---|----------------|---|----------------|---|---------------------|---|---------------------|---|---------------------|---|---------------------|
| 11 - 23 | 11A-1° 9S-011 | 12A-2° 10S-022 | | 13A 10S-131 | F | 14A 10S-141 | F | 15A 10S-151 | F | 16A 10S-161 | G | 17A-19A* 10S-79A | H | 21A-23A* 10S-13A |
| 12 - 25 | 12A-1° 10S-012 | 13A 10S-131 | F | 14A 10S-141 | F | 15A 10S-151 | F | 16A-17A* 10S-67A | I | 19A-21A* 10S-91A | L | 23A-25A* 10S-35A | | |
| 13 - 26 | 13A-1° 10S-013 | 14A 10S-141 | F | 15A 10S-151 | F | 16A 10S-161 | F | 17A-18C* 10S-78C | I | 19C-21C* 10S-91C | L | 23C-26C* 10S-36C | | |
| 13 - 29 | 13A-1° 10S-013 | 14A 10S-141 | F | 15A 10S-151 | F | 16A 10S-161 | F | 17A-19A* 10S-79A | I | 21A-23A* 10S-13A | L | 26A-29A* 10S-69A | | |

* pre-assembled

CENTAUR™
UD™ 10s
CS4-CEX..

DISTANZIALI / SPACERS

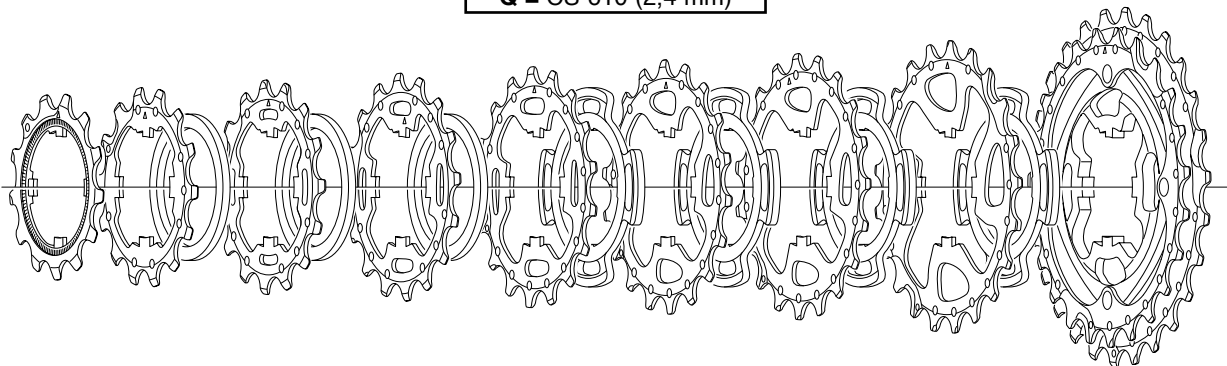
G = CS-602 (2,5 mm)

M = CS-606 (3,05 mm)

N = CS-607 (2,4 mm)

O = CS-609 (2,55 mm)

Q = CS-610 (2,4 mm)



| | | | | | | | | | | | | | | | | |
|---------|-------------------|-------------------|---|----------------|---|----------------|---|----------------|---|----------------|---|----------------|---|----------------|---|---------------------|
| 11 - 23 | 11A-1° 9S-011 | 12A-2° 10S-022 | | 13A 10S-131 | Q | 14A 10S-141 | Q | 15A 10S-151 | Q | 16A 10S-161 | G | 17A 10S-171 | N | 19A 10S-191 | M | 21A-23A* 10S-13A |
| 12 - 25 | 12A-1° 10S-032 | 13A 10S-131 | Q | 14A 10S-141 | Q | 15A 10S-151 | Q | 16A 10S-161 | Q | 17A 10S-171 | O | 19A 10S-191 | N | 21A 10S-211 | M | 23A-25A* 10S-35A |
| 13 - 26 | 13A-1° 10S-023 | 14A 10S-141 | Q | 15A 10S-151 | Q | 16A 10S-161 | Q | 17A 10S-171 | N | 18C 10S-183 | O | 19C 10S-193 | N | 21C 10S-213 | M | 23C-26C* 10S-36C |
| 13 - 29 | 13A-1° 10S-023 | 14A 10S-141 | Q | 15A 10S-151 | Q | 16A 10S-161 | Q | 17A 10S-171 | N | 19A 10S-191 | O | 21A 10S-211 | N | 23A 10S-231 | M | 26A-29A* 10S-69A |

* pre-assembled

VELOCE™ UD™

**10s
CS4-VLX..**

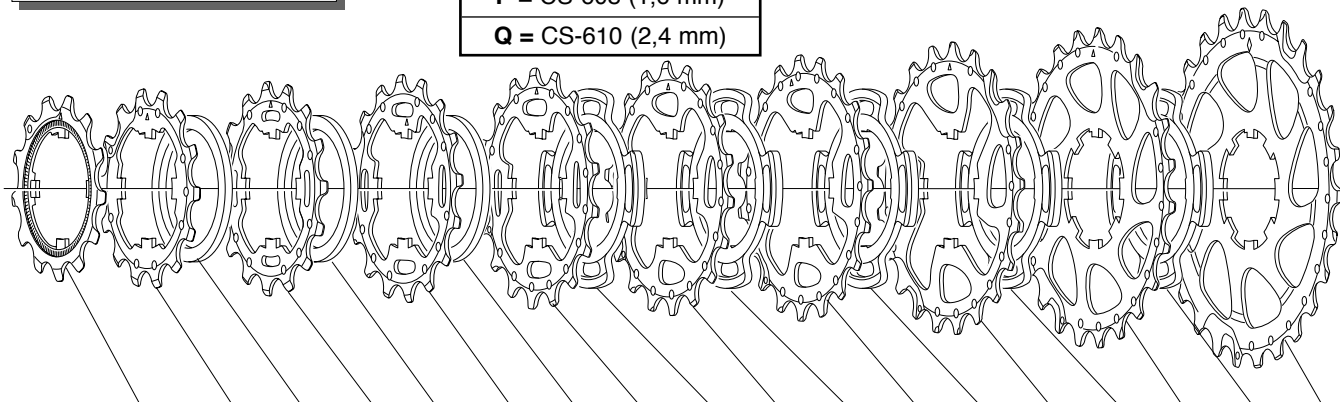
DISTANZIALI / SPACERS

N = CS-607 (2,4 mm)

O = CS-609 (2,55 mm)

P = CS-608 (1,6 mm)

Q = CS-610 (2,4 mm)



| | | | | | | | | | | | | | | | | | | |
|----------------|--------------------------|-----------------------|----------|-----------------------|----------|-----------------------|----------|-----------------------|----------|-----------------------|----------|-----------------------|----------|-----------------------|----------|-----------------------|----------|-----------------------|
| 12 - 23 | 12A-1° 10S-032 | 13A 10S-131 | Q | 14A 10S-141 | Q | 15A 10S-151 | Q | 16A 10S-161 | N | 17A 10S-171 | O | 18C 10S-183 | N | 19C 10S-193 | N | 21C 10S-213 | P | 23C 10S-233 |
| 12 - 25 | 12A-1° 10S-032 | 13A 10S-131 | Q | 14A 10S-141 | Q | 15A 10S-151 | Q | 16A 10S-161 | N | 17A 10S-171 | O | 19A 10S-191 | N | 21A 10S-211 | N | 23A 10S-231 | P | 25A 10S-251 |
| 13 - 26 | 13A-1° 10S-023 | 14A 10S-141 | Q | 15A 10S-151 | Q | 16A 10S-161 | Q | 17A 10S-171 | N | 18C 10S-183 | O | 19C 10S-193 | N | 21C 10S-213 | N | 23C 10S-333 | P | 26C 10S-263 |
| 13 - 29 | 13A-1° 10S-023 | 14A 10S-141 | Q | 15A 10S-151 | Q | 16A 10S-161 | Q | 17A 10S-171 | N | 19A 10S-191 | O | 21A 10S-211 | N | 23A 10S-231 | N | 26A 10S-261 | P | 29A 10S-291 |
| 14 - 23 | 14A-1° 10S-014 | 15A 10S-151 | Q | 16A 10S-161 | Q | 17A 10S-171 | Q | 18C 10S-183 | N | 19C 10S-193 | O | 20D 10S-204 | N | 21D 10S-214 | N | 22D 10S-224 | P | 23D 10S-234 |

RECORD™
PRO-FIT PLUS™
PD01-RE

CHORUS™
PRO-FIT PLUS™
PD01-CH

CENTAUR™
PRO-FIT PLUS™
PD02-CE

| | | |
|----------------|---|----------|
| RECORD™ | R | PD-RE303 |
| | L | PD-RE304 |

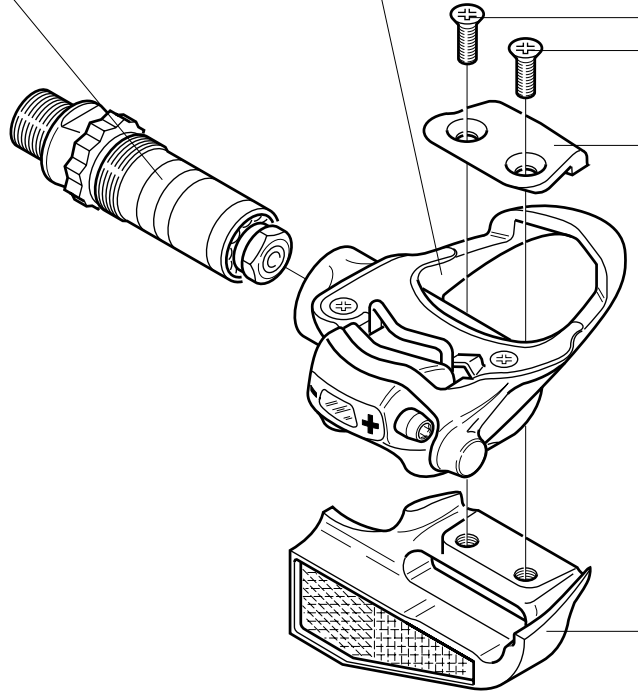
| | | |
|----------------|---|----------|
| CHORUS™ | R | PD-CH303 |
| | L | PD-CH304 |

| | | |
|-----------------|---|----------|
| CENTAUR™ | R | PD-DA003 |
| | L | PD-DA004 |

| | | |
|----------------|---|----------|
| RECORD™ | R | PD-RE301 |
| | L | PD-RE302 |

| | | |
|----------------|---|----------|
| CHORUS™ | R | PD-CH301 |
| | L | PD-CH302 |

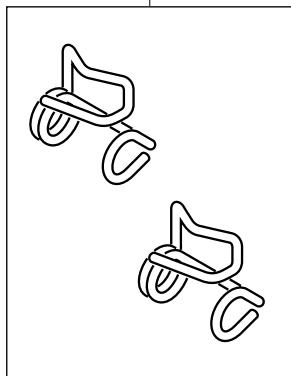
| | | |
|-----------------|---|----------|
| CENTAUR™ | R | PD-CE001 |
| | L | PD-CE002 |



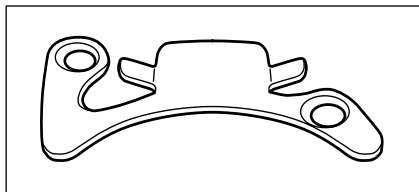
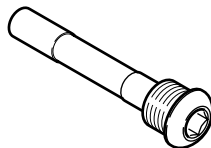
PD-RE108
(2 pcs.)

**PRO-FIT™ /
PRO-FIT PLUS™
SPARE PARTS**

R + L: PD-RE105

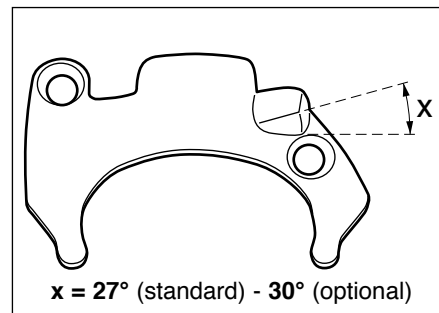
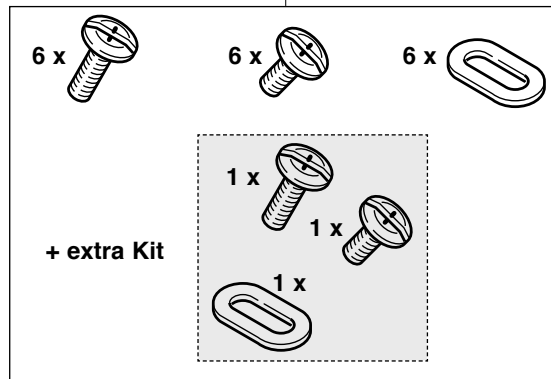


PD-RE107



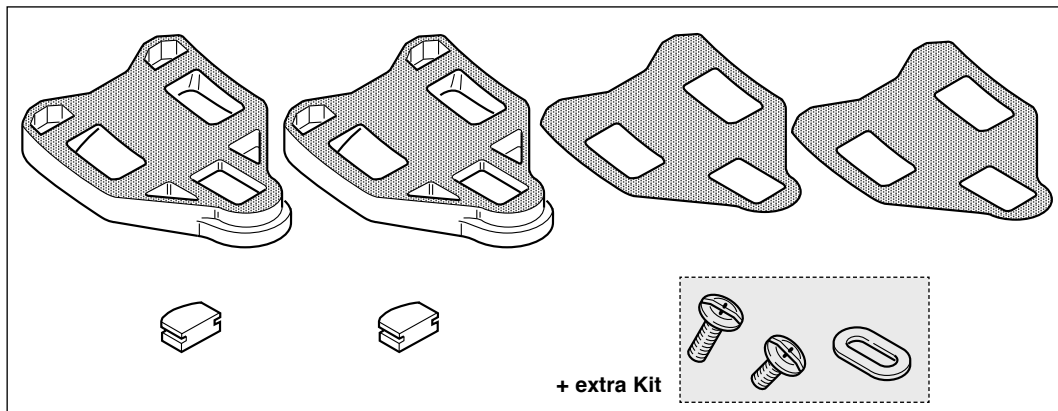
**PRO-FIT™
PD-RE111**

PD-RE116



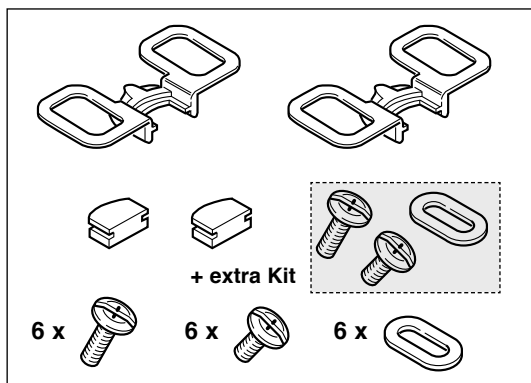
PRO-FIT PLUS™
PD-RE110: standard - 27°
PD-RE109: HRE - optional - 30°

**PRO-FIT™ /
PRO-FIT PLUS™
SPARE PARTS**



**FLOATING CLEATS
PD-RE020**

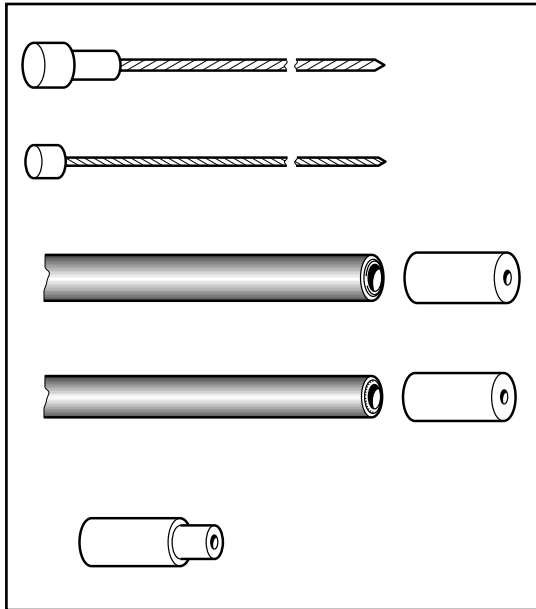
**FIXED CLEATS
PD-RE021**



PD-RE200

CABLES & CASINGS

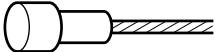




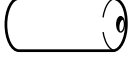

complete sets



| | | |
|---|--|-----------------|
| <p>ERGOPOWER™ CONTROL LEVERS</p> | <p>CG-ER500 *</p> <p>CG-ER201BP (240 pcs. / pz.)</p> | |
| <p>TRADITIONAL</p> | <p>Brakes</p> | <p>CG-BR201</p> |
| | <p>Derailleurs</p> | <p>CG-DD101</p> |

* incl. brake housing ferrules / incl. capi guaina

CABLES & CASINGS SPARE PARTS

| | | FRONT | REAR | |
|--------------------|---|--|--|---|
| BRAKES |  | Ø 1,6 mm L. 800 mm CG-CB003 | Ø 1,6 mm L. 1600 mm 10-CG-CB013 (10 pcs.) - 50-CG-CB013 (50 pcs.) | |
| |  | Ø 5 mm L. 580 mm CG-CS014 | Ø 5 mm L. 1250 mm CG-CS002 | |
| |  | Ø 6 mm CG-CS011 (not sealed / senza guarnizione) | | |
| DERAILLEURS |  | ERGOPOWER | L. 1600 | CG-CB014 |
| | | ERGOPOWER | L. 2000 | 10-CG-CB009 (10 pcs.) - 50-CG-CB009 (50 pcs.) |
| | | SHIFTING LEVERS | L. 830 | CG-CB011 |
| | | SHIFTING LEVERS | L. 1600 | CG-CB014 |
| |  | ERGOPOWER | L. 680 | CG-CS015 |
| | | ERGOPOWER | L. 330 | CG-CS008 |
| |  | Ø 5,7 mm CG-CS012 (sealed / con guarnizione) | | |
| |  | Ø 5,7/4 mm CG-CS013 (sealed / con guarnizione) | | |

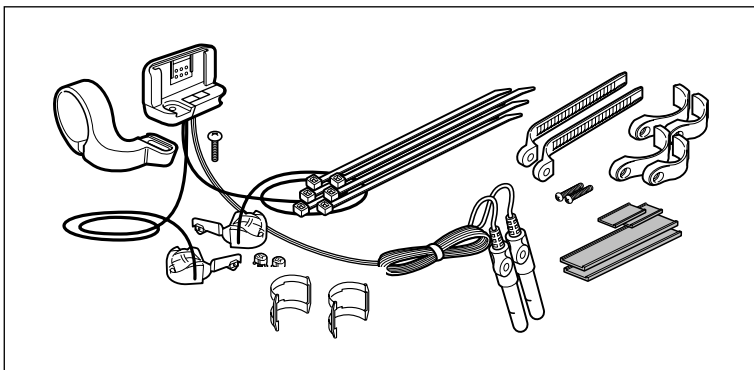
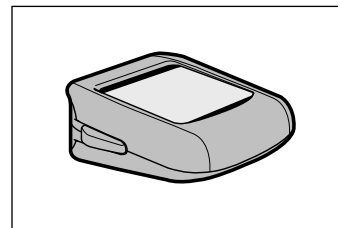


MAIN UNIT / SOLO COMPUTER

ErgoBrain10™

CI03-EB10C3

(triple compatible)



**ASSEMBLY KIT /
KIT D'INSTALLAZIONE**

ErgoBrain™

CI00-EB09B1

(for 9s drivetrain / per trasmissione 9s)

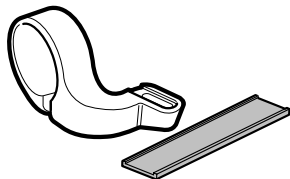
ErgoBrain10™

CI00-EB10B2

(for 10s drivetrain / per trasmissione 10s)

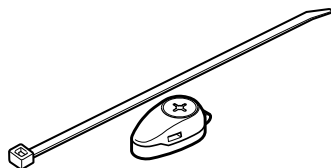
ErgoBrain™

ErgoBrain10™



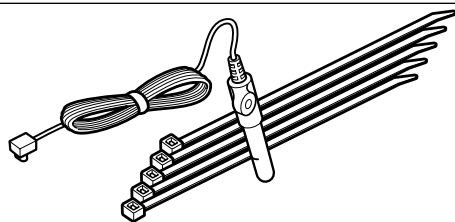
31,7 mm arm / fascetta 31,7 mm

CI-EB001



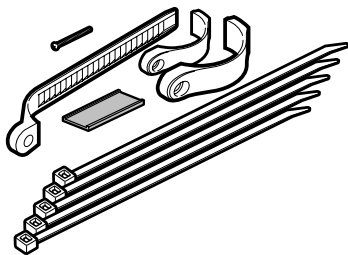
CDC magnet / magnete cadenza

CI-EB003



CDC sensor / sensore cadenza

CI-EB006



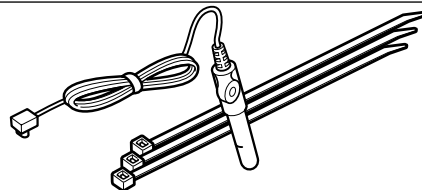
Sensor attachment / fascetta sensori

CI-EB002



CDC PRO-FIT pedal magnet /
magnete cadenza pedale PRO-FIT

CI-EB004



SPD sensor / sensore velocità

CI-EB007



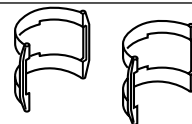
push buttons / copripulsanti

CI-EB009



SPD magnet / magnete velocità

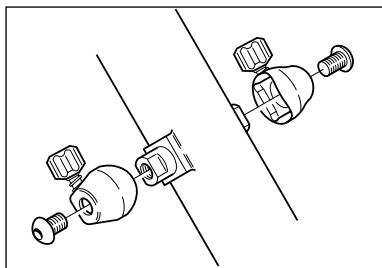
CI-EB008



spacers / distanziali

CI-EB010

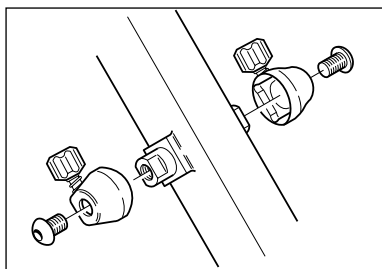
**ERGOPOWER™
ERGOPOWER™ FB
CASING RETAINER CLAMPS**



FOR ROUND DOWN TUBE

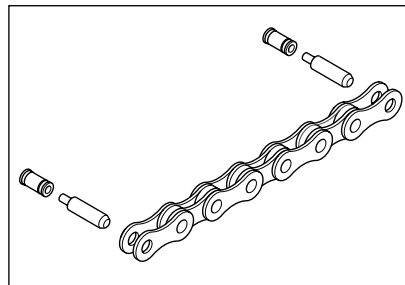
Aluminum: **EC-RE001**

Resin: **EC-AT001**



FOR FLAT DOWN TUBE

Resin: **EC-AT002**

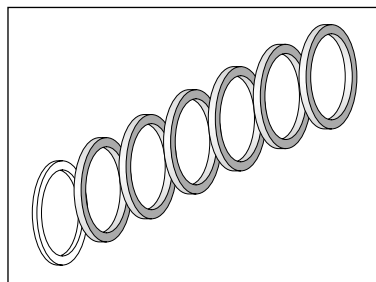


CN-RE200 *HD-Link™*

for C10™ and C10™ Ultra chains

CN-RE400 *HD-Link™ Ultra Narrow™* (5,9 mm)

for C10™ Ultra Narrow™ chains



KIT-03

Transforms a Veloce™ 9s sprocket set into a 8s cassette.

Only for 9s/10s hub/wheels.

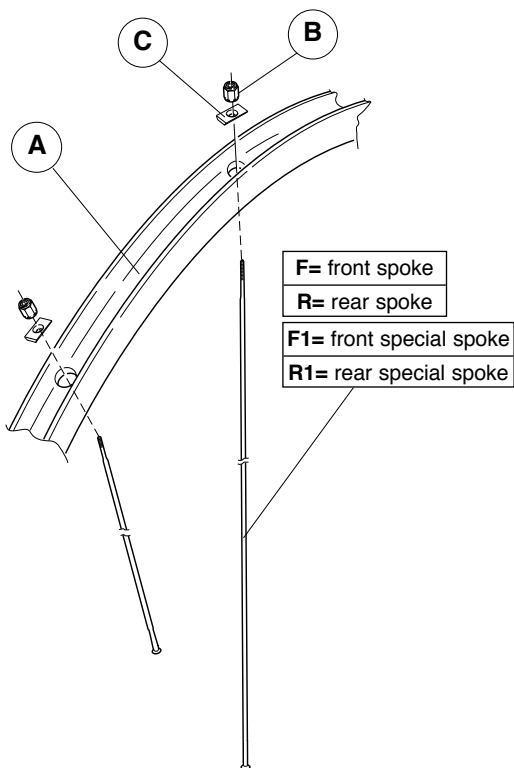


WB-100

Bag for 1 wheel.

| | | | |
|-----------|--|---|--|
| RD-RE700 | rotelline cambio 10s (8,4 mm) | 10s (8,4 mm) rear derailleur pulleys | jeu de galets dérail. arr. 10s (8,4 mm) |
| RD-RE600 | rotelline cambio 9s (8,8 mm) | 9s (8,8 mm) rear derailleur pulleys | jeu de galets dérail. arr. 9s (8,8 mm) |
| RD-RE500 | rotelline cambio 8s (9,8 mm) | 8s (9,8 mm) rear derailleur pulleys | jeu de galets dérail. arr. 8s (9,8 mm) |
| EC-RE600 | coprisupporti EP dx + sx "new style" | right + left EP rubber hoods (new style) | repose-main EP droit + gauche "new style" |
| EC-RE500 | coprisupporti EP dx + sx "old style" | right + left EP rubber hoods (old style) | repose-main EP droit + gauche "old style" |
| BR-RE701 | pattini freno per ruote HYPERON™ e BORA™ tubolare per freni caliper Campagnolo | brake pads for HYPERON™ and BORA™ 2003 tubular wheels for Campagnolo caliper brakes | patins de frein roues HYPERON™ et BORA™ 2003 boyaux pour freins caliper Campagnolo |
| BR-RE702 | pattini freno per ruote HYPERON™ copertoncino per freni caliper Campagnolo | brake pads for HYPERON™ clincher wheels for Campagnolo caliper brakes | patins de frein roues HYPERON™ pnéus étroits pour freins caliper Campagnolo |
| BR-RE701X | pattini freno per ruote HYPERON™ e BORA™ tubolare per freni Dura-Ace | brake pads for HYPERON™ and BORA™ 2003 tubular wheels for Dura-Ace brakes | patins de frein roues HYPERON™ et BORA™ 2003 boyaux pour freins Dura-Ace |
| BR-RE702X | pattini freno per ruote HYPERON™ copertoncino per freni Dura-Ace | brake pads for HYPERON™ clincher wheels for Dura-Ace brakes | patins de frein roues HYPERON™ pnéus étroits pour freins Dura-Ace |
| BR-RE700 | pattini freno per freni caliper | brake pads for caliper brakes | patins de frein pour freins caliper |
| BR-RE600 | pattini freno per freni caliper | brake pads for caliper brakes | patins de frein pour freins caliper |
| BR-VL500 | pattini freno per freni Linear Pull Cantilever | brake pads for Linear Pull Cantilever brakes | patins de frein pour freins Linear Pull Cantilever |
| BR-MI600 | pattini freno compl. per freni caliper | compl. brake pads for caliper brakes | patins de frein compl. pour freins caliper |
| BL-RE500 | coprisupporti tradizionali dx + sx (gamma 2000 e prec.) | r + l traditional rubber hoods (2000 range and prev.) | repose-main trad. droit + gauche (gamme 2000 et préc.) |
| PD-RE020 | tacchette pedali (con gioco) | self-aligning pedal cleats | plaques avec jeu pour pédales |
| PD-RE021 | tacchette pedali (senza gioco) | fixed pedal cleats | plaques sans jeu pour pédales |
| PD-RE200 | denti d'aggancio pedali + viti | pedal engaging hooks + screws | dispositifs d'accrochage pédales + vis |
| PD-RE116 | viti fissaggio tacchette pedali | pedal cleats fixing screws | vis fixation plaques pédales |
| CG-ER500 | cavi e guaine EP (con capi-guaina) | EP cables and casings (with brake housing ferrules) | câbles et gaines EP (avec butée de gaines) |
| CN-RE200 | HD-LINK™ per catene C10™ e C10™ Ultra | HD-LINK™ for C10™ e CD™ Ultra chains | HD-LINK™ pour chaîne C10™ e C10™ Ultra |
| CN-RE400 | HD-LINK™ per catene C10™ Ultra Narrow (5,9 mm) | HD-LINK™ for C10™ Ultra Narrow (5,9 mm) chains | HD-LINK™ pour chaîne C10™ Ultra Narrow (5,9 mm) |

HYPERON™ Ultra™ **clincher** **9s / 10s**

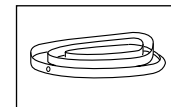


| COMPLETE WHEELS | A | Compl. KIT | MINI-KIT |
|---|------------------|--|--|
| FRONT | | | KIT-400HYU (1F+1F1+1R right+1R1 right+1R left+1R1 left+2C front+2C rear+6B) |
| WH6-HYCFU clincher 28" | WH-103HYU | KIT-13HYU (21F+2F1+23C+23B) | |
| REAR | | | |
| WH6-HYCRU WH6-HYCRXU clincher 28" | WH-104HYU | KIT-14HYU (12R right+1R1 right+ 12R left+1R1 left+26C+26B) | |

| FRONT WHEEL | F + B | F1 + B |
|----------------------------------|-------------------------------------|-----------------------------------|
| WH6-HYCFU clincher 28" | L. 292 mm WH-105HYC (10 pcs.) | L. 292 mm WH-205HYC (1 pc.) |

| REAR WHEELS | R right + B | R1 right + B | R left + B | R1 left + B |
|---|-------------------------------------|-----------------------------------|-------------------------------------|-----------------------------------|
| WH6-HYCRU WH6-HYCRXU clincher 28" | L. 292 mm WH-106HYC (10 pcs.) | L. 292 mm WH-206HYC (1 pc.) | L. 291 mm WH-107HYC (10 pcs.) | L. 291 mm WH-207HYC (1 pc.) |

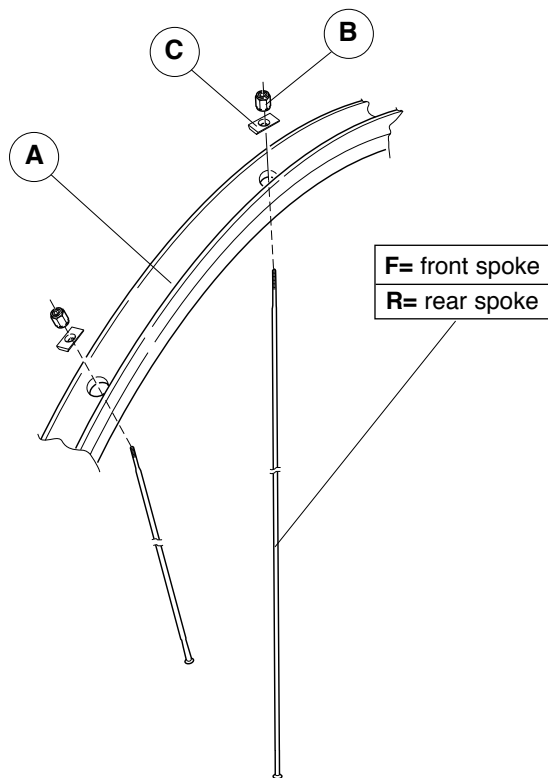
| B | C front | C rear |
|--------------------------|--------------------------|--------------------------|
| 10-WH-010BO (10 pcs.) | 10-WH-011HY (10 pcs.) | 10-WH-012HY (10 pcs.) |



RIM TAPE 16 mm:
WH-RT02

COMPLETE LABEL KIT (front+rear): LAB-HYUC06

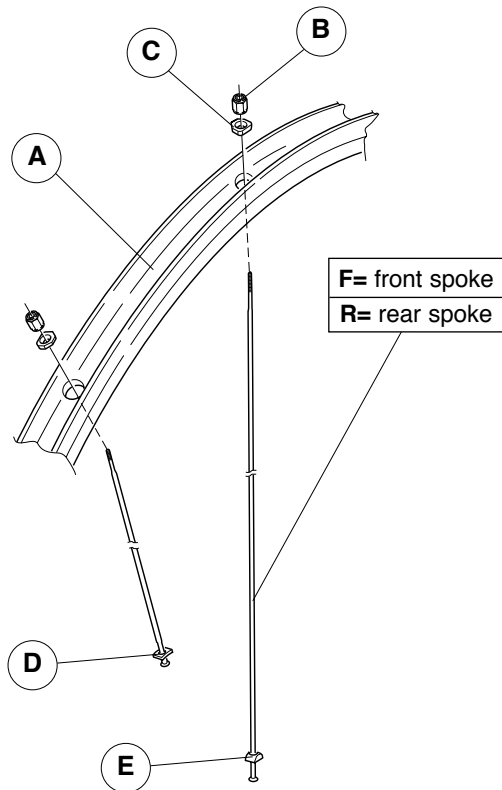
HYPERON™
tubular
9s / 10s

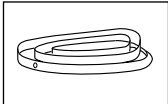


| COMPLETE WHEELS | A | Compl. KIT | MINI-KIT |
|--|---------------------------------------|--|---|
| FRONT | | | |
| WH6-HYTF tubular 28" | WH-001HY | KIT-01HY (24F+24C+24B) | KIT-100HY (2F+2R right +2R left+6C +6B) |
| REAR | | | |
| WH6-HYTR WH6-HYTRX tubular 28" | WH-002HY | KIT-02HY (13R right+13R left+26C+26B) | |
| COMPLETE WHEELS | F + B | R right + B | R left + B |
| WH6-HYTF tubular 28" | L. 294,5 mm WH-005HYT (10 pcs.) | | |
| WH6-HYTR WH6-HYTRX tubular 28" | | L. 295 mm WH-006HYT (10 pcs.) | L. 294,5 mm WH-007HYT (10 pcs.) |
| B | C | | |
| 10-WH-010BO (10 pcs.) | 10-WH-011HY (10 pcs.) | | |

COMPLETE LABEL KIT (front+rear): LAB-HYT05

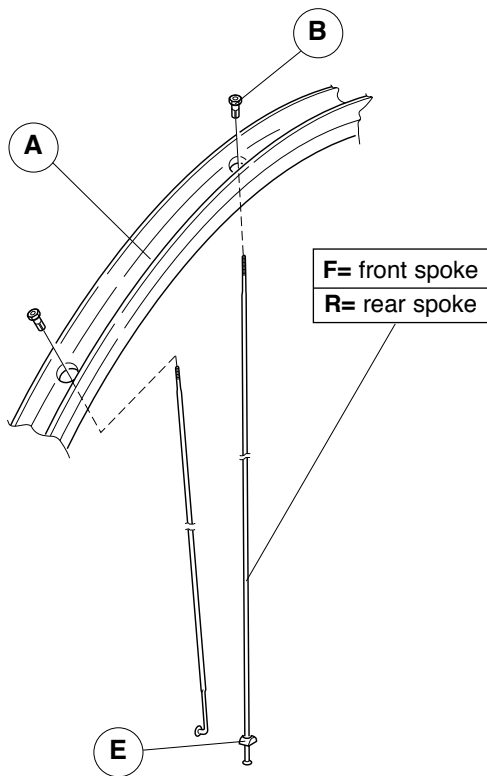
NEUTRON™ 9s / 10s



| COMPLETE WHEELS | A | Compl. KIT | MINI-KIT |
|---------------------------------------|--|---|---|
| FRONT | | | |
| WH6-NECF clincher 28" | WH-103NE | KIT-03NE (24F+24C+24B+24D) | KIT-200NE (2F+2R right +2R left+6C +6B+4D+2E) |
| REAR | | | |
| WH6-NECR WH6-NECRX clincher 28" | WH-104NE | KIT-04NE (13R right+13R left +26C+26B+13D+13E) | |
| COMPLETE WHEELS | F + B | R right + B | R left + B |
| WH6-NECF clincher 28" | L. 294,25 mm WH-005NEC (10 pcs.) | | |
| WH6-NECR WH6-NECRX clincher 28" | | L. 296,5 mm WH-006NEC (10 pcs.) | L. 294,75 mm WH-007NEC (10 pcs.) |
| B | C |  RIM TAPE 18 mm: WH-RT01 | |
| 10-WH-010BO (10 pcs.) | 10-WH-011EU (10 pcs.) | | |

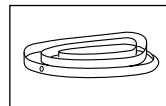
COMPLETE LABEL KIT (front+rear): LAB-NEC05

PROTON™
9s / 10s



| COMPLETE WHEELS | A | Compl. KIT | MINI-KIT |
|---------------------------------------|----------|---|--|
| FRONT | | | |
| WH6-PRCF clincher 28" | WH-201PR | KIT-03PR (24F+24B) | KIT-400PR (2F+2R right +2R left+6B+2E) |
| REAR | | | |
| WH6-PRCR WH6-PRCRX clincher 28" | WH-202PR | KIT-04PR (13R right+13R left+26B+13E) | |

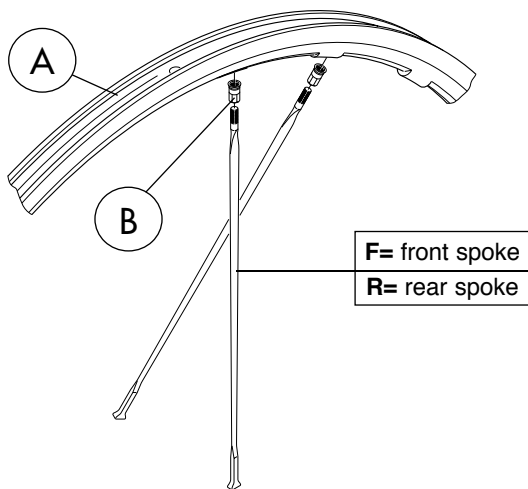
| COMPLETE WHEELS | F + B | R right + B | R left + B |
|---------------------------------------|-------------------------------------|-------------------------------------|-------------------------------------|
| WH6-PRCF clincher 28" | L. 283 mm WH-005PRC (10 pcs.) | | |
| WH6-PRCR WH6-PRCRX clincher 28" | | L. 292 mm WH-006PRC (10 pcs.) | L. 283 mm WH-005PRC (10 pcs.) |



RIM TAPE 18 mm:
WH-RT01

COMPLETE LABEL KIT (front+rear): LAB-PRC05

EURUS™ clincher 9s / 10s



See page 148 for accessories
Vedi pag. 148 per gli accessori

| COMPLETE WHEELS | A | Compl. KIT | B | |
|-----------------------------------|-----------|--------------------|----------------------------|--|
| FRONT | | | | |
| WH6-EUCF BLACK | WH-303EU | KIT-33EU (16F) | WH-N10 (10 pcs.) | |
| WH6-EUCFS SILVER | WH-303EUS | KIT-33EUS (16F) | | |
| REAR | | | | |
| WH6-EUCR WH6-EUCRX BLACK | WH-304EU | KIT-34EU (21R) | | |
| WH6-EUCRS WH6-EUCRXS SILVER | WH-304EUS | KIT-34EUS (21R) | | |

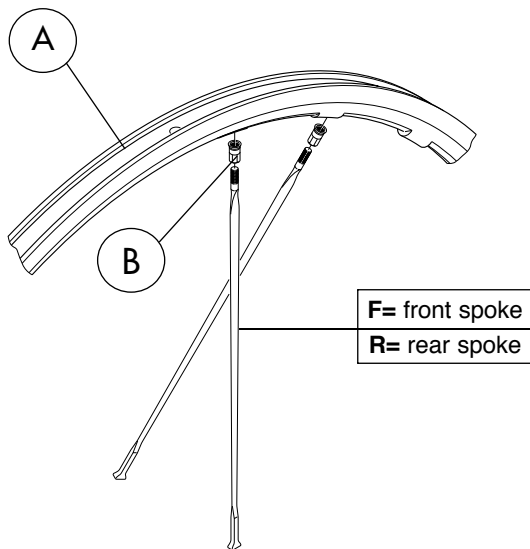
| COMPLETE WHEELS | F + B | R right + B | R left + B |
|-----------------------------------|--------------------------------------|--|---|
| WH6-EUCF BLACK | L. 278,5 mm WH-305EUC (1F+1B) | | |
| WH6-EUCFS SILVER | L. 278,5 mm WH-305EUCS (1F+1B) | | |
| WH6-EUCR WH6-EUCRX BLACK | | L. 282 mm WH-306EUC (1R right+1B) | L. 276 mm WH-307EUC (1R left+1B) |
| WH6-EUCRS WH6-EUCRXS SILVER | | L. 282 mm WH-306EUCS (1R right+1B) | L. 276 mm WH-307EUCS (1R left+1B) |

COMPLETE LABEL KIT (front+rear)

Black: LAB-EUC06

Silver: LAB-EUCS06

EURUS™
tubular
9s / 10s



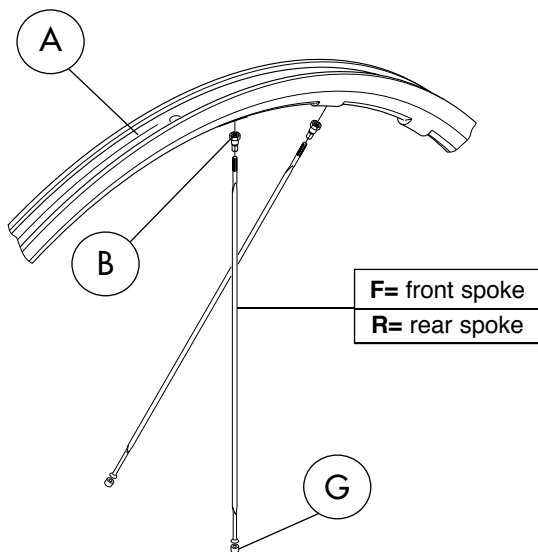
See page 148 for accessories
 Vedi pag. 148 per gli accessori

| COMPLETE WHEELS | A | Compl. KIT | B |
|--------------------------------------|----------|--------------------|-------------------------------|
| FRONT | | | |
| WH6-EUTF tubular 28" | WH-001EU | KIT-33EUS (16F) | WH-108EUC (10 pcs.) |
| REAR | | | |
| WH6-EUTR WH6-EUTRX tubular 28" | WH-002EU | KIT-34EUS (21R) | |

| COMPLETE WHEELS | F + B | R right + B | R left + B |
|--------------------------------------|--------------------------------------|--|---|
| WH6-EUTF tubular 28" | L. 278,5 mm WH-305EUCS (1F+1B) | | |
| WH6-EUTR WH6-EUTRX tubular 28" | | L. 282 mm WH-306EUCS (1R right+1B) | L. 276 mm WH-307EUCS (1R left+1B) |

COMPLETE LABEL KIT (front+rear):
 LAB-EUT06

ZONDA™ 9s / 10s



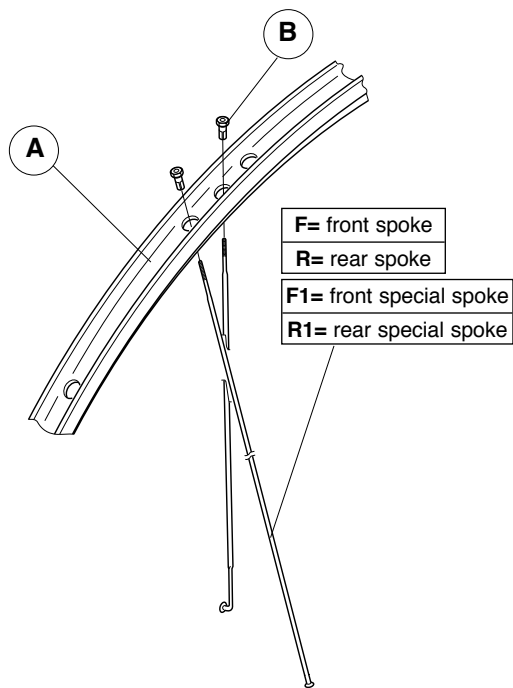
See page 148 for accessories
Vedi pag. 148 per gli accessori

COMPLETE LABEL KIT (front+rear):
LAB-ZOCB06 (black)
LAB-ZOCS06 (silver)

| COMPLETE WHEELS | A | Compl. KIT | MINI-KIT |
|---|-----------|--|---|
| FRONT | | | |
| WH6-ZOCF clincher 28" | WH-203ZO | KIT-23ZO (17F+17B+17G) | BLACK KIT-400ZO (2F+2R right +2R left+6B+2G) |
| WH6-ZOCFS clincher 28" | WH-203ZOS | KIT-23ZOS (17F+17B+17G) | |
| REAR | | | |
| WH6-ZOCR WH6-ZOCRX clincher 28" | WH-204ZO | KIT-24ZO (15R right+8R left+21B+8G) | SILVER KIT-400ZOS (2F+2R right +2R left+6B+2G) |
| WH6-ZOCRS WH6-ZOCRXS clincher 28" | WH-204ZOS | KIT-24ZOS (15R right+8R left+21B+8G) | |

| COMPLETE WHEELS | F + B | R right + B | R left + B | G |
|---|--------------------------------------|--------------------------------------|--------------------------------------|------------------------|
| WH6-ZOCF clincher 28" | L. 278 mm WH-105ZOC (10 pcs.) | | | WH-109ZOC (10 pcs.) |
| WH6-ZOCFS clincher 28" | L. 278 mm WH-105ZOCs (10 pcs.) | | | |
| WH6-ZOCR WH6-ZOCRX clincher 28" | | L. 280 mm WH-106ZOC (10 pcs.) | L. 275 mm WH-107ZOC (10 pcs.) | |
| WH6-ZOCRS WH6-ZOCRXS clincher 28" | | L. 280 mm WH-106ZOCs (10 pcs.) | L. 275 mm WH-107ZOCs (10 pcs.) | |

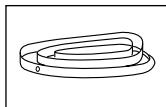
SCIROCCO™
9s / 10s



| COMPLETE WHEELS | A | Compl. KIT | MINI-KIT |
|---|-----------------|---|---|
| FRONT | | | KIT-600SC (1F+1F1+1R right +1R left+1R1 left+5B) |
| WH6-SCCF clincher 28" | WH-103SC | KIT-33SC (19F+2F1+21B) | |
| REAR | | | |
| WH6-SCCR WH6-SCCRX clincher 28" | WH-104SC | KIT-34SC (18R right+10R left+1R1 left+29B) | |

| FRONT WHEEL | F + B | F1 + B |
|---------------------------------|-------------------------------------|-----------------------------------|
| WH6-SCCF clincher 28" | L. 281 mm WH-105SCC (10 pcs.) | L. 281 mm WH-205SCC (1 pc.) |

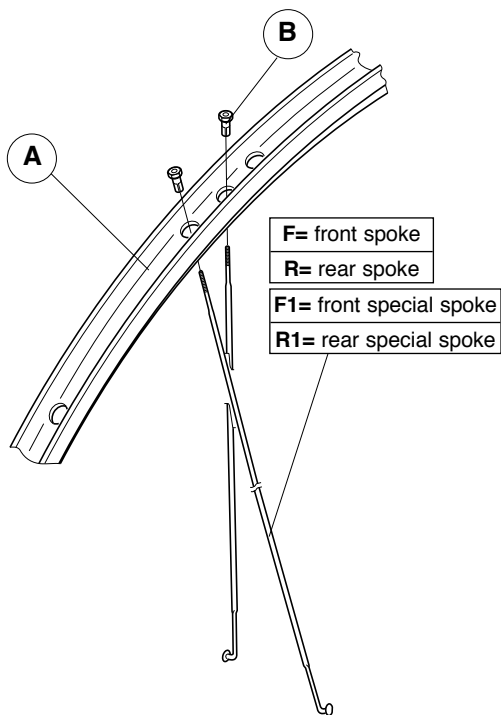
| REAR WHEELS | R right + B | R left + B | R1 left + B |
|---|-------------------------------------|-------------------------------------|-----------------------------------|
| WH6-SCCR WH6-SCCRX clincher 28" | L. 280 mm WH-106SCC (10 pcs.) | L. 282 mm WH-107SCC (10 pcs.) | L. 282 mm WH-207SCC (1 pc.) |



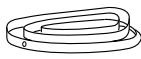
RIM TAPE 18 mm:
WH-RT01

COMPLETE LABEL KIT (front+rear):
LAB-SCC06

VENTO™
9s / 10s



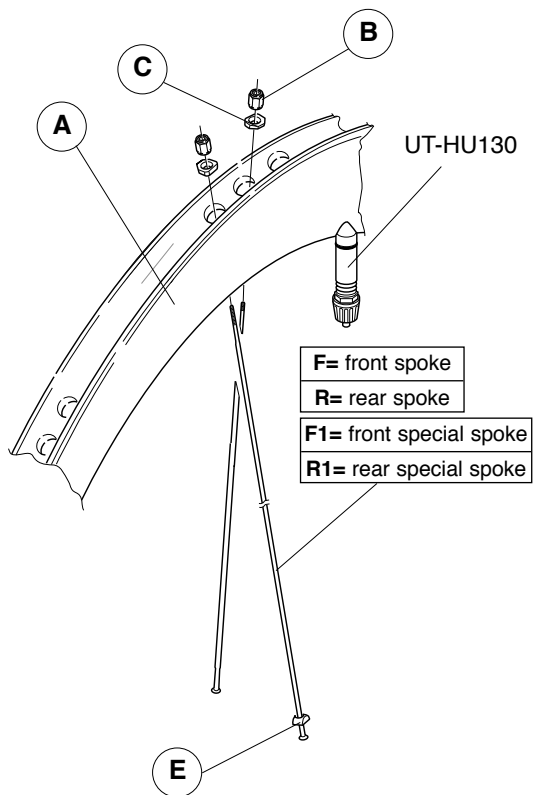
| COMPLETE WHEELS | A | Compl. KIT | MINI-KIT |
|---|-------------------------------------|---|--|
| FRONT | | | |
| WH6-VECF clincher 28" | WH-203VE | KIT-13VE (8 FC+17 FL+ 1 F1+26 B) | KIT-500VE (1FC+1FL+1F1 +1R right +1R left+1R1L+5B) |
| REAR | | | |
| WH6-VECR WH6-VECRX clincher 28" | WH-204VE | KIT-14VE (19R right+9R left+1R1+29B) | |
| FRONT WHEEL | F central + B | F1 + B | F lateral + B |
| WH6-VECF clincher 28" | L. 276 mm WH-105VEC (10 pcs.) | L. 276 mm WH-305VEC (1 pc.) | L. 273 mm WH-205VEC (10 pcs.) |
| REAR WHEELS | R right + B | R left + B | R1 left + B |
| WH6-VECR WH6-VECRX clincher 28" | L. 287 mm WH-106VEC (10 pcs.) | L. 276 mm WH-105VEC (10 pcs.) | L. 276 mm WH-305VEC (1 pc.) |



RIM TAPE 16 mm:
WH-RT02

COMPLETE LABEL KIT (front+rear):
LAB-VEC06

BORA™ ULTRA™
9s / 10s



| COMPLETE WHEELS | A | Compl. KIT | MINI-KIT |
|--|-----------------|--|--|
| FRONT | | | KIT-300BO (1F+1F1+1R right +1R left+1R1 left+5B+5C+2E) |
| WH6-BOTF tubular 28" | WH-501BO | KIT-31BO (17F+2F1+19B+19C) | |
| REAR | | | |
| WH6-BOTR WH6-BOTRX tubular 28" | WH-402BO | KIT-32BO (14R right+6R left+2R1 left+22C+15E) | |

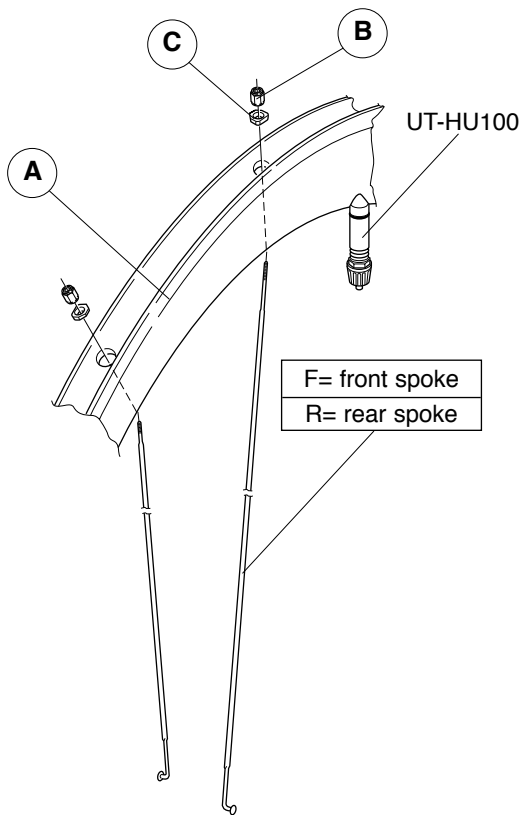
| FRONT WHEEL | F + B | F1 + B |
|--------------------------------|-------------------------------------|-----------------------------------|
| WH6-BOTF tubular 28" | L. 264 mm WH-105BOT (10 pcs.) | L. 264 mm WH-205BOT (1 pc.) |

| REAR WHEELS | R right + B | R left + B | R1 left + B |
|--|-------------------------------------|-------------------------------------|-----------------------------------|
| WH6-BOTR WH6-BOTRX tubular 28" | L. 268 mm WH-106BOT (10 pcs.) | L. 268 mm WH-107BOT (10 pcs.) | L. 268 mm WH-207BOT (1 pc.) |

| B | C |
|--------------------------|--------------------------|
| 10-WH-010BO (10 pcs.) | 10-WH-011BO (10 pcs.) |

COMPLETE LABEL KIT (front+rear):
LAB-BOT06

PISTA™



| COMPLETE WHEELS | A | Compl. KIT | MINI-KIT |
|-------------------------|----------|---------------------------|----------------------------|
| FRONT | | | |
| WH02-PTF tubular 28" | WH-001PI | KIT-01PI (22F+22B+22C) | KIT-100PI (3F+3R+6B+6C) |
| REAR | | | |
| WH02-PTR tubular 28" | WH-002PI | KIT-02PI (26R+26B+26C) | |

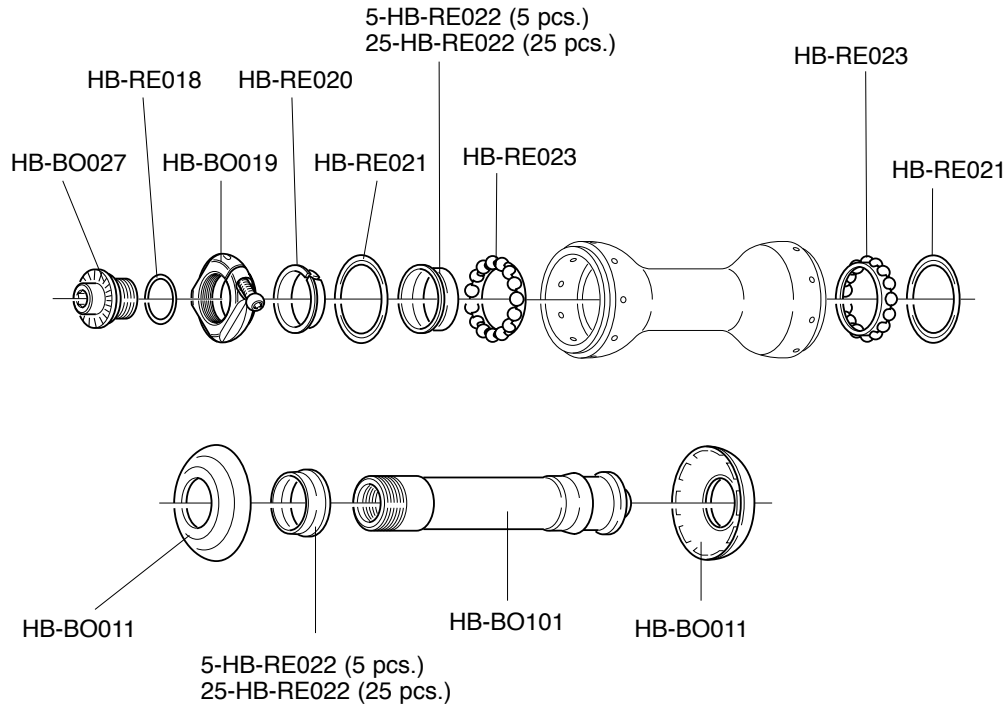
| COMPLETE WHEELS | F + B | R + B |
|-------------------------|-------------------------------------|-------------------------------------|
| WH02-PTF tubular 28" | L. 278 mm WH-005PIT (10 pcs.) | |
| WH02-PTR tubular 28" | | L. 287 mm WH-006PIT (10 pcs.) |

| B | C |
|--------------------------|--------------------------|
| 10-WH-010BO (10 pcs.) | 10-WH-011EU (10 pcs.) |

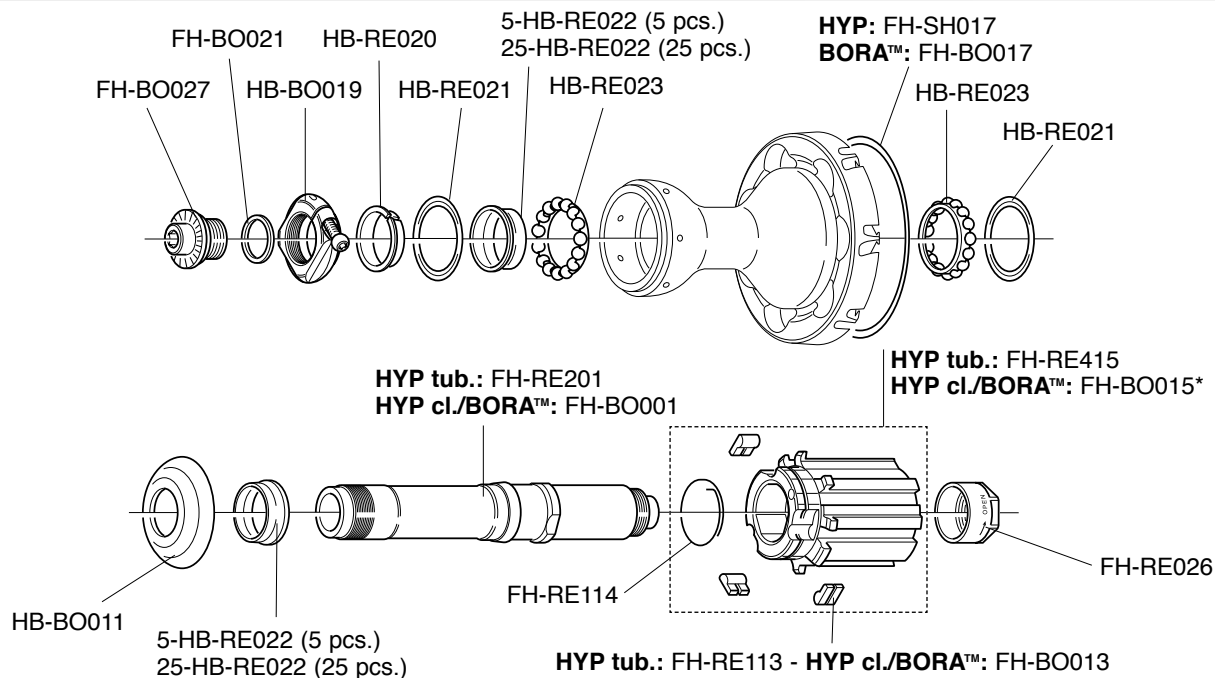
**COMPLETE LABEL KIT (front+rear):
LAB-PIT06**

MOZZO ANTERIORE

HYPERON™ ULTRA™ clincher / HYPERON™ tub. / BORA™ ULTRA™ tub.
FRONT HUB



MOZZO POSTERIORE 9s / 10s **HYPERON™ tub. / HYPERON™ ULTRA™ clincher / BORA™ ULTRA™ tub.** 9s / 10s REAR HUB

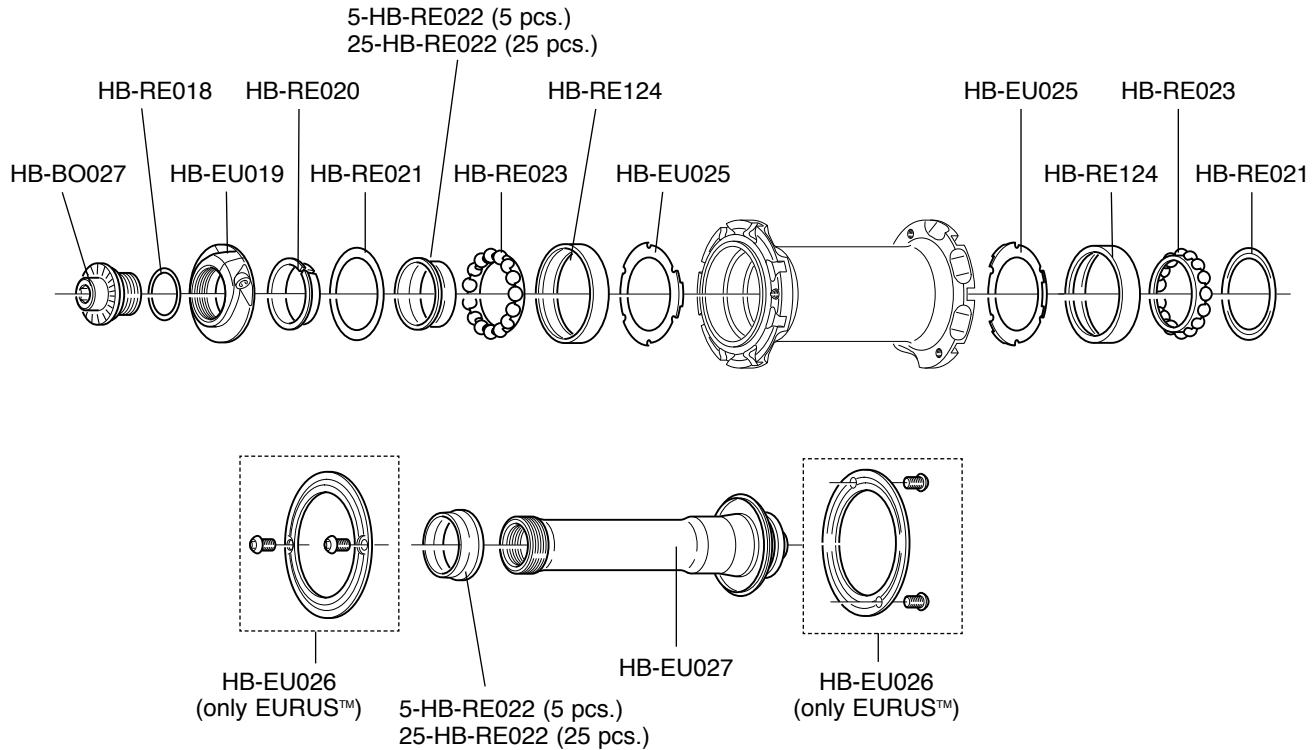


HG 10 type FW body / corpetto RL tipo HG 10: WH-KX10
 (compatible only with new axle code FH-BO001, requires special locking code CS-701 /
 compatibile solo con nuovo perno cod. FH-BO001, richiede ghiera speciale cod. CS-701)

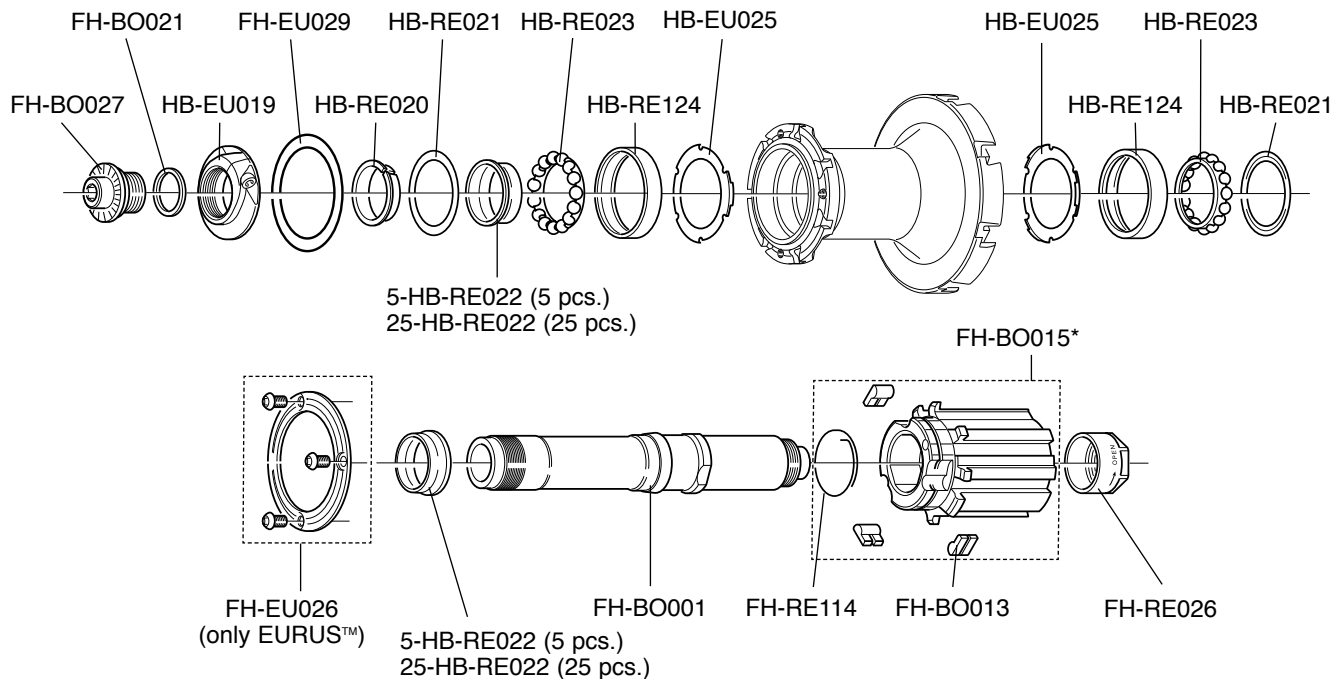
HG 8/9 type FW body / corpetto RL tipo HG 8/9:
WH-KX1 (RECORD type) - **WH-KX2** (CHORUS type)

* compatible only with new axle code FH-BO001

MOZZO ANTERIORE
EURUS™ / ZONDA™
FRONT HUB



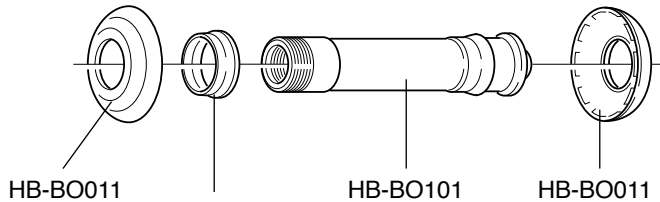
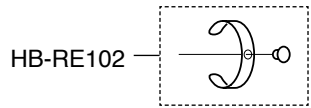
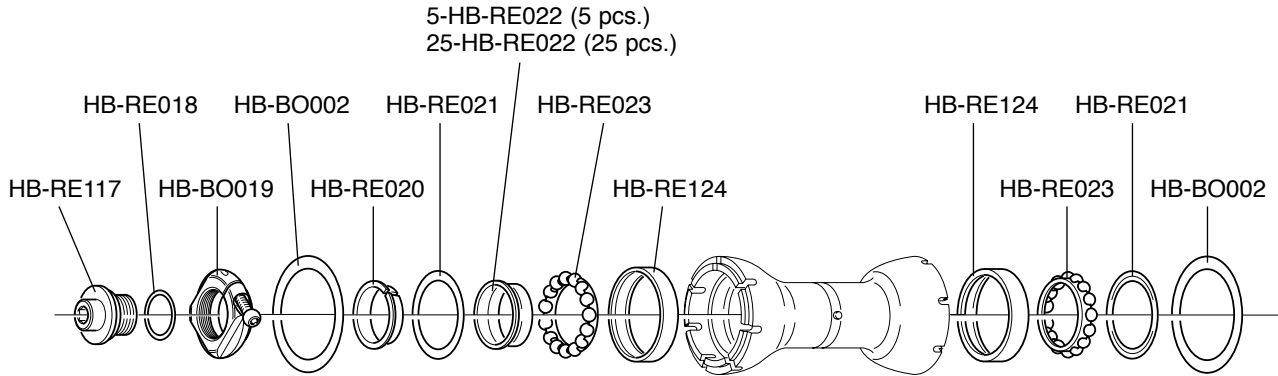
MOZZO POSTERIORE EURUS™ / ZONDA™ REAR HUB



HG 10 type FW body / corpetto RL tipo HG 10: WH-KX10
 (compatible only with new axle code FH-BO001, requires special lockring code CS-701 /
 compatibile solo con nuovo perno cod. FH-BO001, richiede ghiera speciale cod. CS-701)

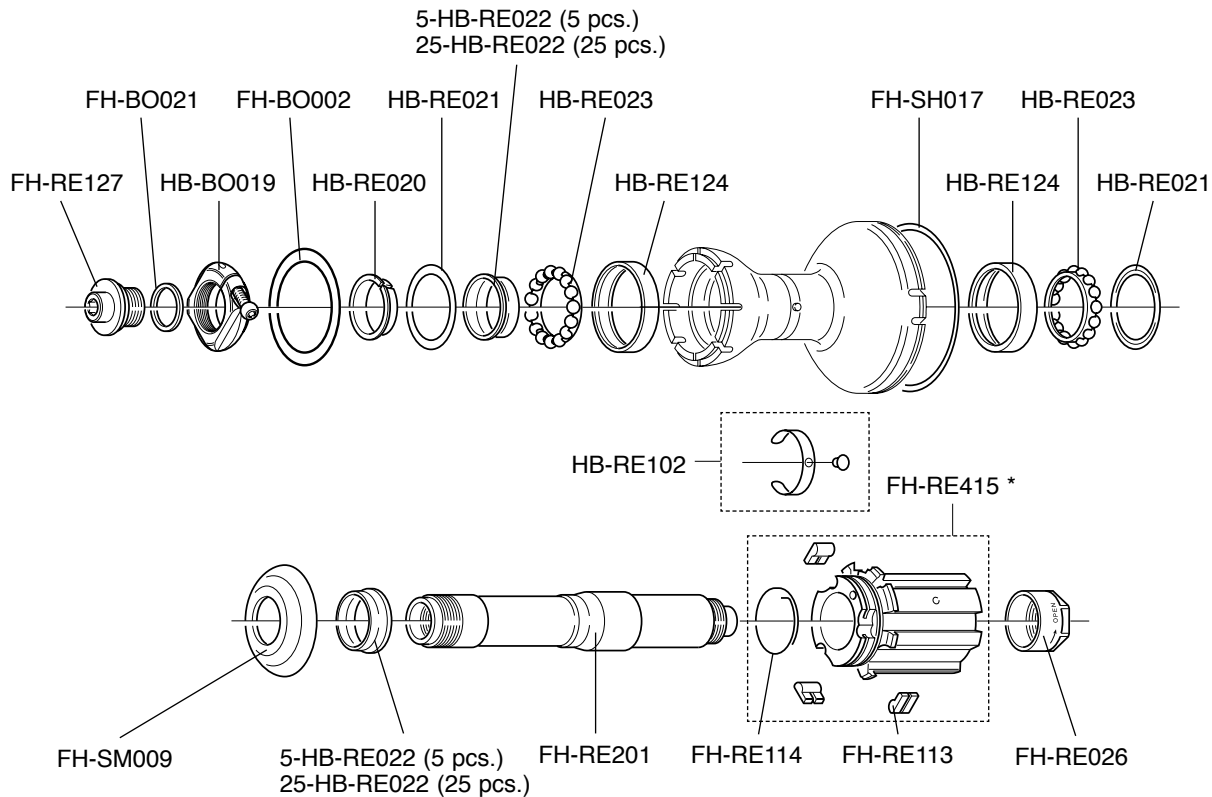
* compatible only with new axle code FH-BO001

MOZZO ANTERIORE
NEUTRON™
FRONT HUB



5-HB-RE022 (5 pcs.)
 25-HB-RE022 (25 pcs.)

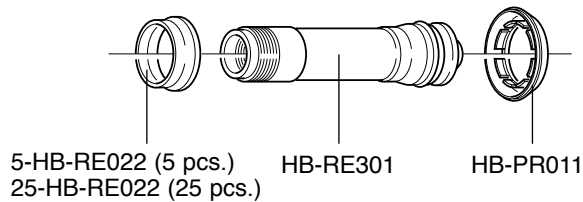
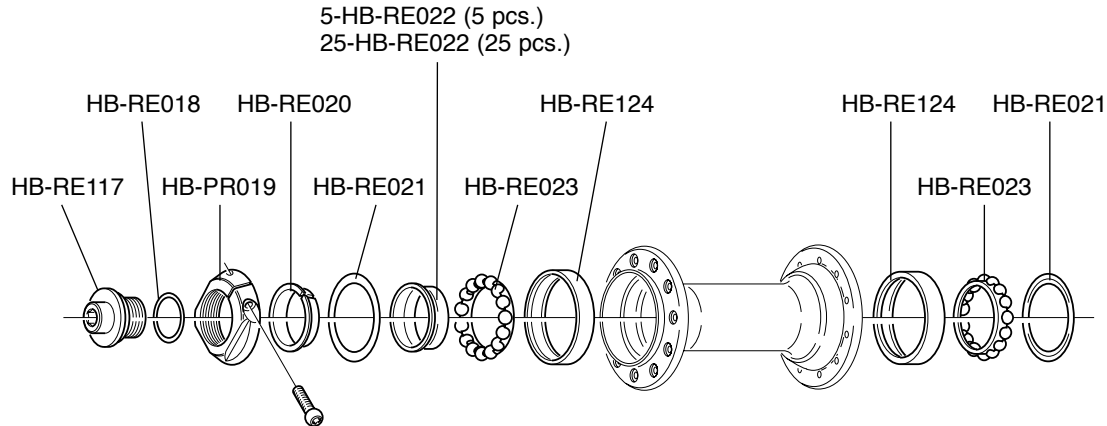
MOZZO POSTERIORE 9s / 10s NEUTRON™ 9s / 10s REAR HUB



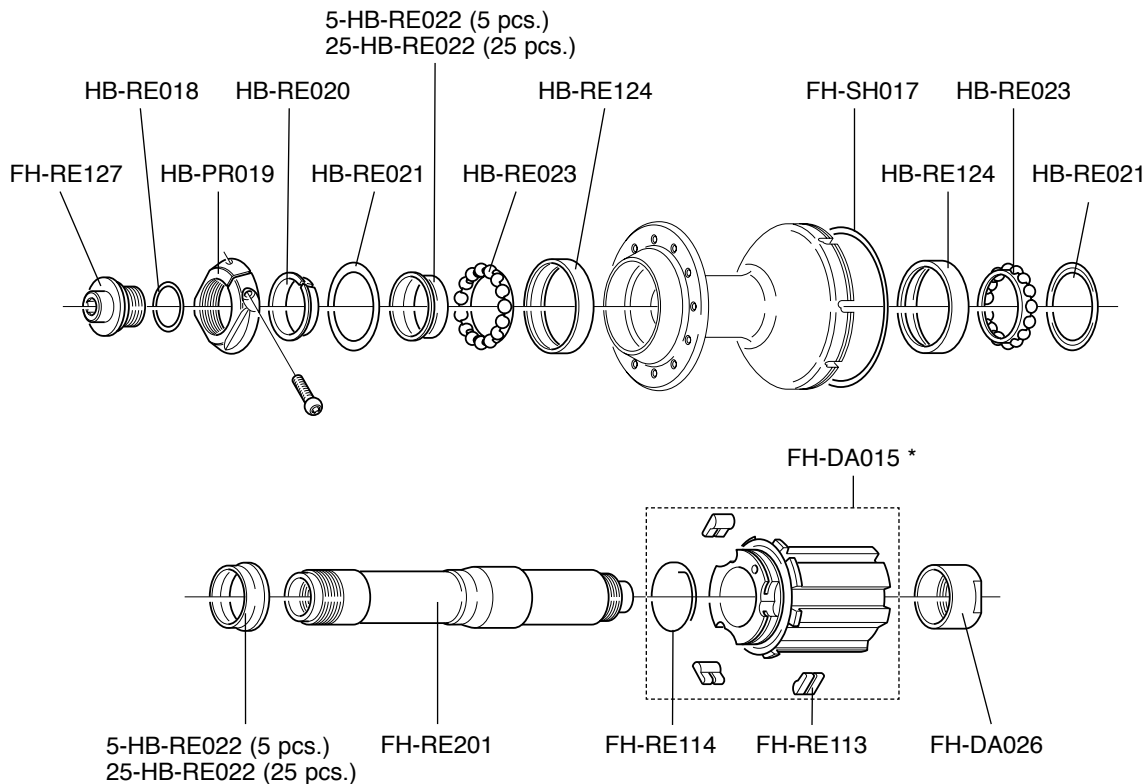
* HG 8/9 type FW body / corpetto RL tipo HG 8/9: **WH-KX1** (RECORD type)

WH-KX2 (CHORUS type)

MOZZO ANTERIORE
PROTON™
FRONT HUB



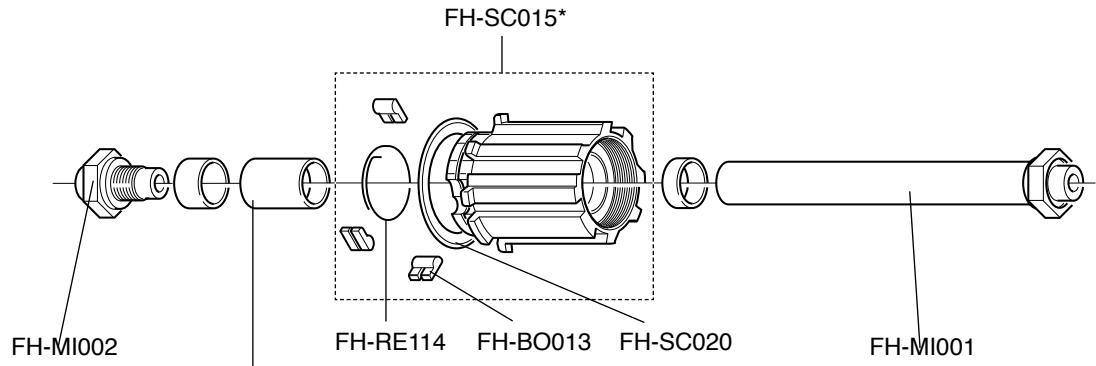
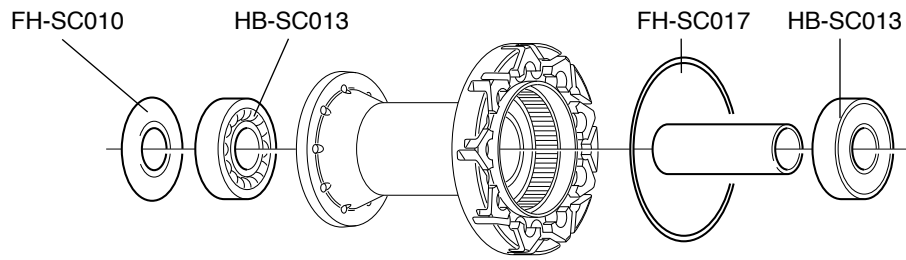
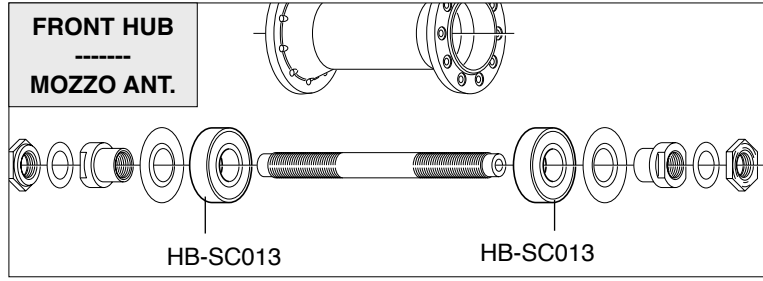
MOZZO POSTERIORE 9s / 10s *PROTON™* 9s / 10s REAR HUB



* HG 8/9 type FW body / corpetto RL tipo HG 8/9: **WH-KX1** (RECORD type)

WH-KX2 (CHORUS type)

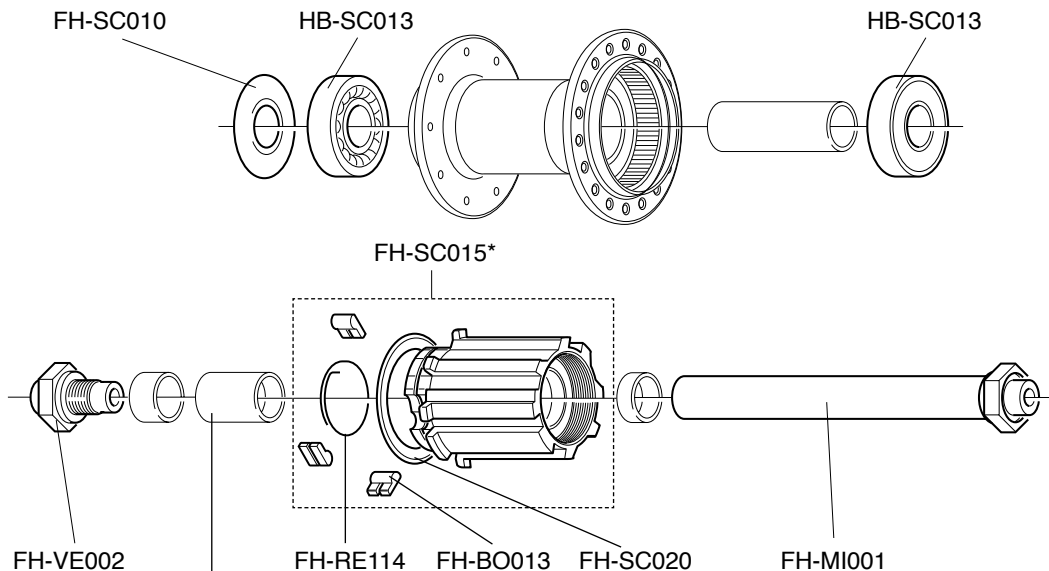
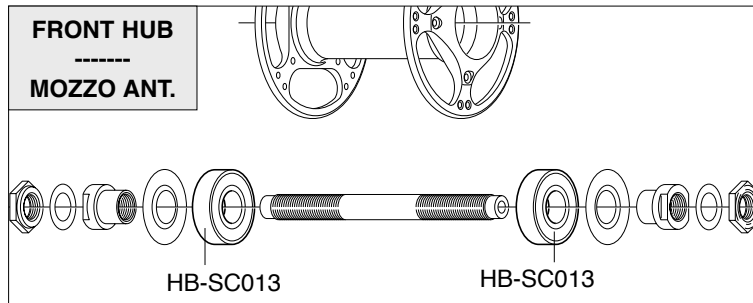
**MOZZO ANTERIORE
e POSTERIORE
SCIROCCO™
FRONT and REAR HUB**



FH-SC011 (per RL tipo Campy / for Campy type FW)
FH-SC012 (per RL tipo HG 8/9/10 / for HG 8/9/10 type FW)

* HG 8/9/10 type FW body / corpetto RL tipo HG 8/9/10: **WH-KX9**

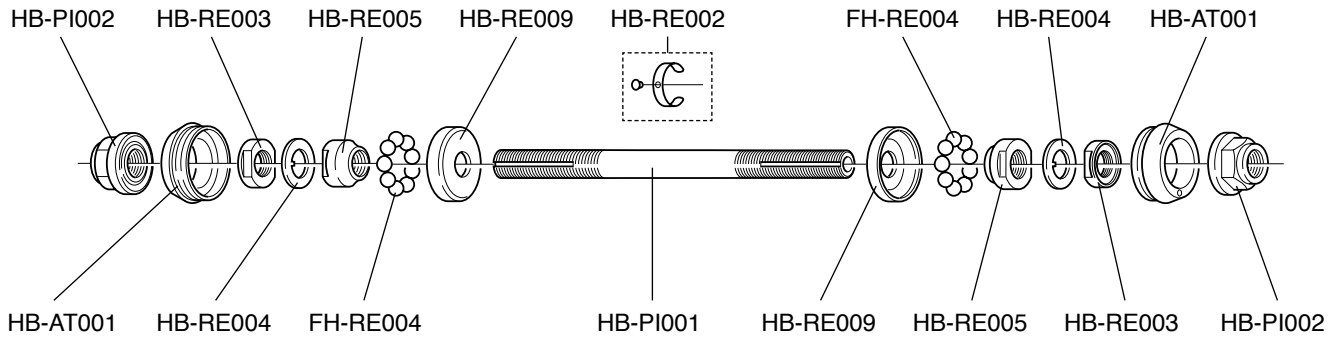
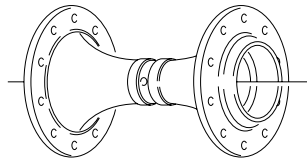
**MOZZO ANTERIORE
e POSTERIORE
VENTO™
FRONT and REAR HUB**



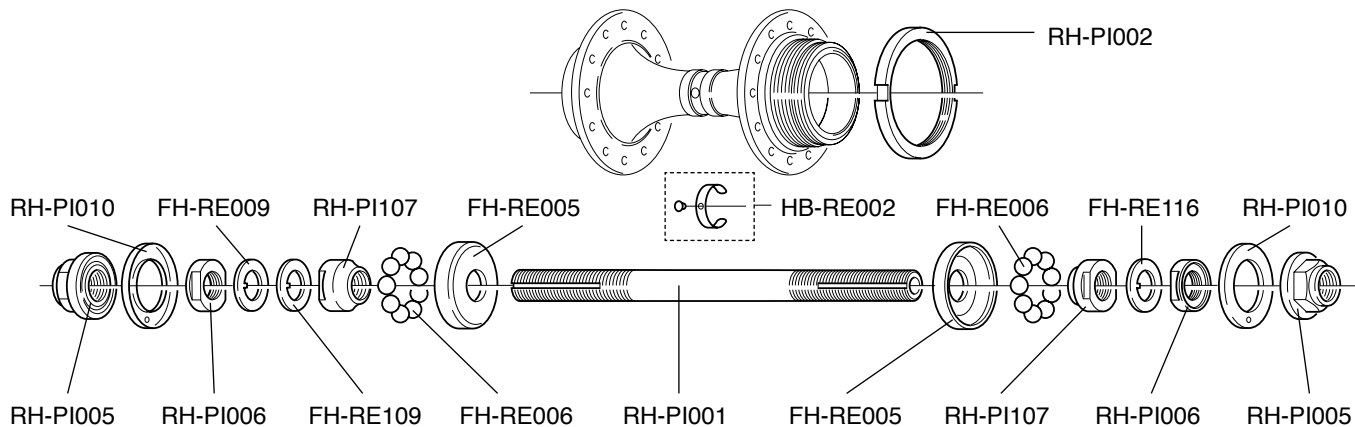
FH-SC011 (per RL tipo Campy / for Campy type FW)
FH-SC012 (per RL tipo HG 8/9/10 / for HG 8/9/10 type FW)

* HG 8/9/10 type FW body / corpetto RL tipo HG 8/9/10: **WH-KX9**

MOZZO ANTERIORE
PISTA™
FRONT HUB



MOZZO POSTERIORE *PISTA™* REAR HUB



Utensili raccomandati reperibili in commercio

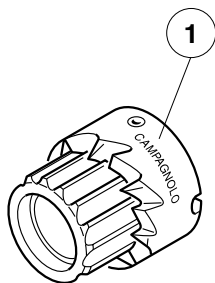
Recommended tools, commercially available

- Cacciavite a croce PH 1 (Phillips)
- Chiave a manico di cacciavite con esagono da 5mm per raggi ruote
- Chiave a brugola da 2,5 mm per registrazione mozzi
- Chiave a brugola da 3 mm per blocchetti fermaguaine
- Chiave a brugola da 5 mm per freni, comandi Ergopower™, ecc.
- Chiave dinamometrica con chiave a brugola da 8 mm per montaggio viti pedivelle
- Chiave fissa da 17 mm per controdado mozzo posteriore
- Chiave a bussola da 24 mm per utensile fissaggio calotte mov. centrale Daytona/Centaur™, Veloce™, Mirage™ (UT-BB100 - pag. 141)
- Maschio M10 x 1 per ripasso occhiello attacco cambio su forcellini
- Chiave TORX per viti fissaggio ingranaggi guarniture RECORD™ e CHORUS™ CARBON (a partire da gamma 2004) e CENTAUR™ CARBON.

-----□

- Phillips type screwdriver
- 5 mm nut driver for wheel spokes
- 2.5 mm allen key, for hub lock nut
- 3 mm allen key, for downtube adjusters
- 5 mm for brakes, Ergopower™ control levers, etc.
- Torque wrench fitted with 8 mm allen key
- 17 mm hexagonal wrench, for rear hub axle nut
- 24 mm hexagonal wrench for Daytona/Centaur™, Veloce™, Mirage™ bottom bracket tool (UT-BB100 on page 141)
- M10 x 1 tap for recutting rear derailleur hanger thread
- TORX wrench to fix the chainrings of the RECORD™ and CHORUS™ CARBON cranksets (from 2004 range) and CENTAUR™ CARBON cranksets.

HEADSET



Doppia fresa sedi calotte per attrezzo UT-HS090 (Ø 1")

UT-HS093: standard

UT-HS094: con inserti in metallo duro

Double cutter cup seats for tool UT-HS090 (Ø 1")

UT-HS093: standard

UT-HS094: with hard metal inserts

Fraise double pour sièges cuvettes pour outil UT-HS090 (Ø 1")

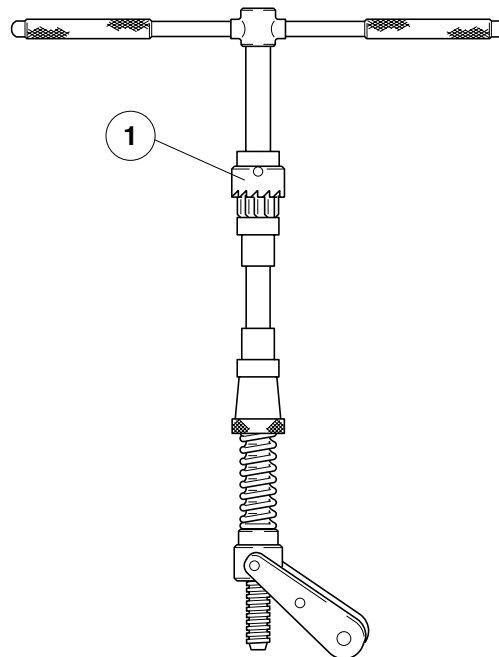
UT-HS093: standard

UT-HS094: avec inserts métal dur

Doppelfräser für Gabelkonus für Werkzeug UT-HS090 (Ø 1")

UT-HS093: Standard

UT-HS094: mit aufgetragenen Hartmetallplättchen



UT-HS090

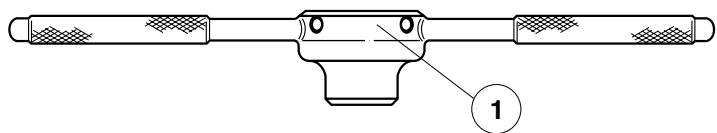
Attrezzo fresatura tubo sterzo, montaggio calotta inferiore e cono superiore serie sterzo 1" - completo di doppia fresa standard (1)

Tool for milling steering tube, for fitting bottom cup and top cone 1" headset - with standard double cutter (1)

Outil pour fraisage tube de direction, montage cuvette inférieure et cône supérieur jeux de directions 1" - avec fraise double standard (1)

Steuersatz-Fräswerkzeug - mit Standard-Doppelfräser (1) - für 1" Steuerschalensitz

HEADSET



UT-HS020

Atrezzo per ripasso filetto forcelle per sterzi 1", con filiera (1)

Tool for recutting fork thread for 1" Headsets, with threader (1)

Outil pour repassage filetage fourche pour jeux de directions 1", avec filière (1)

Werkzeug zum Nachschneiden von Gabelschaftgewinde, mit Gewinde-schneider (1), für Ø 1" Steuersatz

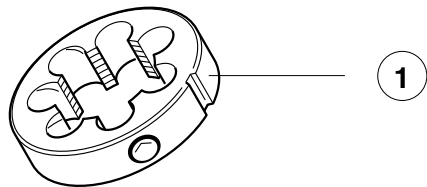
UT-HS021

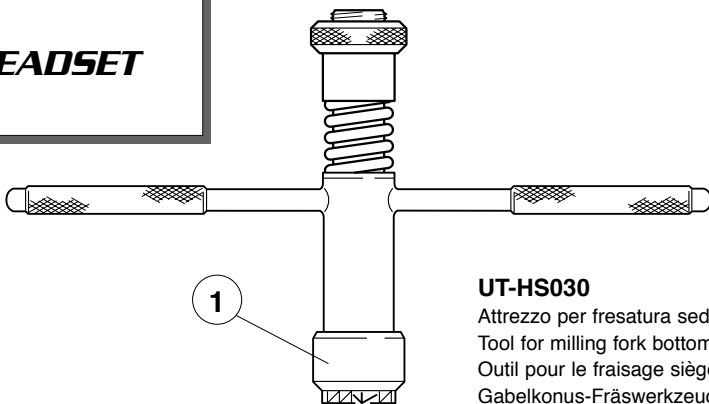
Filiera per attrezzo ripasso forcella UT-HS020 (1")

Cutter for recutting fork thread tool UT-HS020 (1")

Filière pour outil repassage fourche UT-HS020 (1")

Gewindeschneider für Werkzeug UT-HS020 (1") zum Nachschneiden für Gabelschaftrohr





UT-HS030

Attrezzo per fresatura sede cono forcella per serie sterzo 1" con fresa standard (1)
 Tool for milling fork bottom cone seat for 1" headsets with standard cutter (1)
 Outil pour le fraisage siège cône de fourche pour directions 1" avec fraise standard (1)
 Gabelkonus-Fräswerkzeug für 1" Steuersitz mit Standardfräser (1)



UT-HS110

Attrezzo mont. cono forcella, per s.sterzo Hiddenset 1"
 Tool for installing fork cone, for Ø 1" Hiddenset headset
 Outil pour montage cône de fourche, pour jeux de directions Hiddenset 1"
 Werkzeug zur Montage von Gabelkonus, für Ø 1" Hiddenset Steuersatz

UT-HS120

Attrezzo mont. cono forcella, per s. sterzo Hiddenset 1-1/8"
 Tool for installing fork cone, for Ø 1-1/8" Hiddenset headset
 Outil pour montage cône de fourche, pour jeux de directions Hiddenset 1-1/8"
 Werkzeug zur Montage von Gabelkonus, für Ø 1-1/8" Hiddenset Steuersatz

Fresa per attrezzo UT-HS030 Ø 1"

UT-HS031: standard

UT-HS032: con inserti in metallo duro

Cutter for tool UT-HS030 Ø 1"

UT-HS031: standard

UT-HS032: with hard metal inserts

Fraise pour outil UT-HS030 Ø 1"

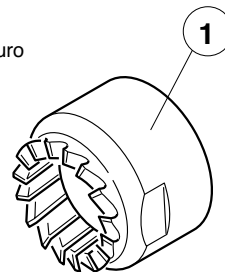
UT-HS031: standard

UT-HS032: avec inserts métal dur

Ø 1" Fräser für UT-HS030 Werkzeug

UT-HS031: Standard

UT-HS032: mit aufgetragenen Hartmetallplättchen

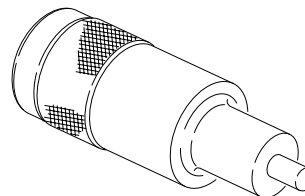


HEADSET



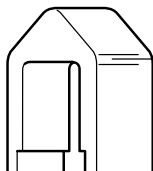
UT-HS080

Calibro controllo sede cono forcelle Ø 26,4 mm
Gauge for checking fork cone seat 26,4 mm Ø
Calibre de contrôle siège cône de fourche Ø 26,4 mm
Kontrollehre für Gabelkonussitz Ø 26,4 mm



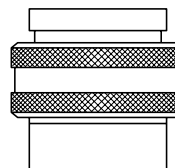
UT-HS100

Attrezzo montaggio serie sterzo Ø 1" per cannotto non filettato
Tool for installing Ø 1" headset for unthreaded steerers
Outil pour montage jeu de direction Ø 1" pour tube de fourche non fileté
Werkzeug zur Ø 1" Steuersatzmontage für gewindelosen Gabelschaft



UT-HS060

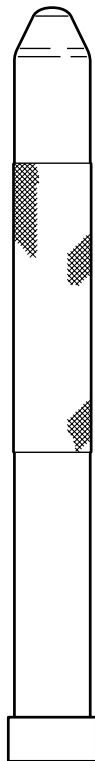
Estrattore cono forcella serie sterzo
Headset crown race remover
Extracteur cône de fourche pour jeux de directions
Abschläger für Gabelkonus für Steuersatz



UT-HS070

Calibro controllo sedi coni e calotte sterzi 1"
Gauge for checking cone and cup seats 1" headsets
Calibre de contrôle sièges cônes et cuvettes jeux de directions 1"
Kontrollehre für Gabelkonus und 1" Steuerschalensitz

HEADSET



UT-HS040

Punzone per montaggio cono forcella, per serie sterzo Ø 1"

Punch for installing fork cone, for Ø 1" headset

Outil pour montage cône de fourche, pour jeux de directions Ø 1"

Aufschläger für Montage von Gabelkonus, für Ø 1" Steuersatz

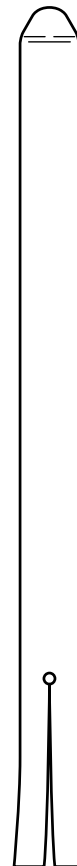
UT-HS050

Estrattore calotta inferiore e cono superiore, per serie sterzo Ø 1"

Extractor for lower headset cup and race, for Ø 1" headset

Extracteur cuvette inférieure et cône supérieur, pour jeux de directions Ø 1"

Austreiber für oberen Konus und untere Lagerschale, für Ø 1" Steuersatz



BOTTOM BRACKET

UT-BB045

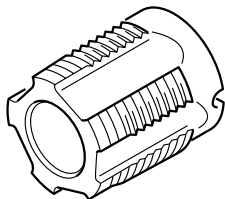
Maschio filetto italiano (1 pz.)
Tap for Italian thread (1pc.)
Taraud filetage italien (1 pc.)
ITA Gewindeschneider (1 St.)

UT-BB046

Maschio filetto inglese destro (1 pz.)
Tap for English thread right-hand (1pc.)
Taraud filetage anglais droit (1 pc.)
BSA Gewindeschneider rechts (1 St.)

UT-BB047

Maschio filetto inglese sinistro (1 pz.)
Tap for English thread left-hand (1pc.)
Taraud filetage anglais gauche (1 pc.)
BSA Gewindeschneider links (1 St.)



Atrezzo per filettatura scatola movimento centrale con 2 maschi

UT-BB040: Filetto italiano

UT-BB041: Filetto inglese

Tool for threading bottom bracket housing with 2 taps

UT-BB040: Italian thread

UT-BB041: English thread

Outil pour le filetage de la boîte de pédalier avec 2 tarauds

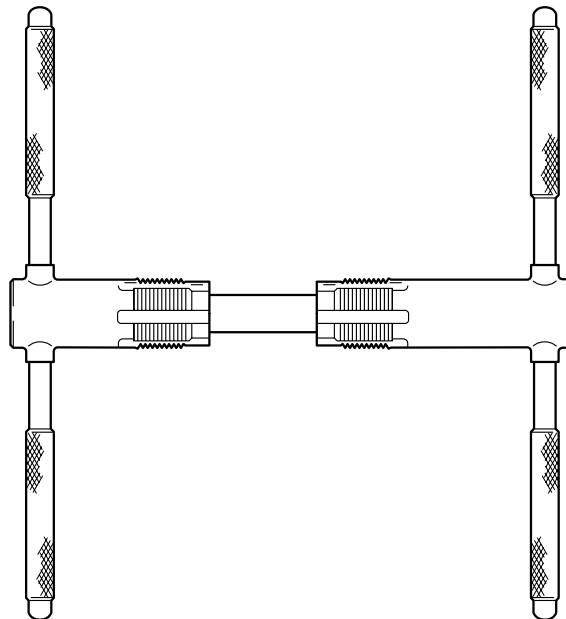
UT-BB040: filetage italien

UT-BB041: filetage anglais

Tretlager-Gewindeschneid-Werkzeug mit 2 Gewindeschneider mit:

UT-BB040: ITA Gewinde

UT-BB041: BSA Gewinde



BOTTOM BRACKET

UT-BB052: 2 manicotti filettati di guida per attrezzo UT-BB050, italiano

UT-BB053: 2 manicotti filettati di guida per attrezzo UT-BB051, inglese

UT-BB052: Inner and outer thread guide for UT-BB050, IT thread

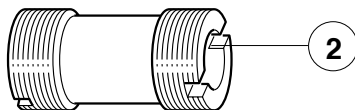
UT-BB053: Inner and outer thread guide for UT-BB051, BSC thread

UT-BB052: 2 manchons filetés de guide pour outils UT-BB050 fil. Italien

UT-BB053: 2 manchons filetés de guide pour outils UT-BB051 fil. anglais

UT-BB052: 2 Gewindemuffen zur Führung Werkzeuge UT-BB050, ITA

UT-BB053: 2 Gewindemuffen zur Führung Werkzeuge UT-BB051, BSA



Fresa per attrezzi UT-BB050 e UT-BB051

UT-BB054: Fresa standard

UT-BB055: Fresa con inserti metallo duro

Cutter for tools UT-BB050 and UT-BB051

UT-BB054: standard cutter

UT-BB055: cutter with hard metal inserts

Atrezzo fresatura piani scatola movimento centrale con fresa standard (1) e 2 manicotti filettati (2)

UT-BB050: Filetto italiano

UT-BB051: Filetto inglese

Bottom bracket facing set with standard cutter (1) and 2 - inner and outer - thread guide (2)

UT-BB050: Italian thread

UT-BB051: English thread

Outil fraisage faces boîte de pédalier avec fraise standard (1) et 2 manchons filetés de guide (2)

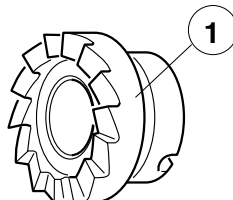
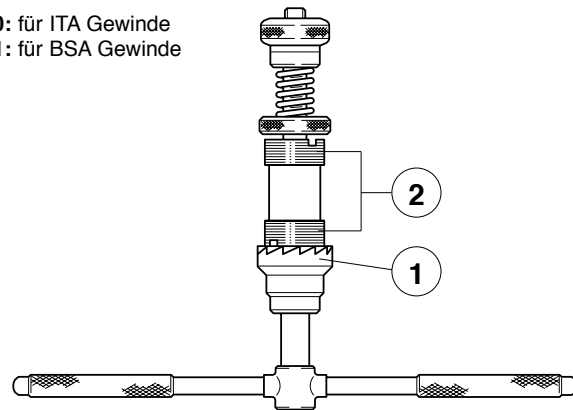
UT-BB050: filetage italien

UT-BB051: filetage anglais

Werkzeug zum Planfräsen des Tretlager-gehäuses mit Standardfräse (1) und 2 Gewindemuffen (2)

UT-BB050: für ITA Gewinde

UT-BB051: für BSA Gewinde



Fresa per attrezzi UT-BB050 e UT-BB051

UT-BB054: Fresa standard

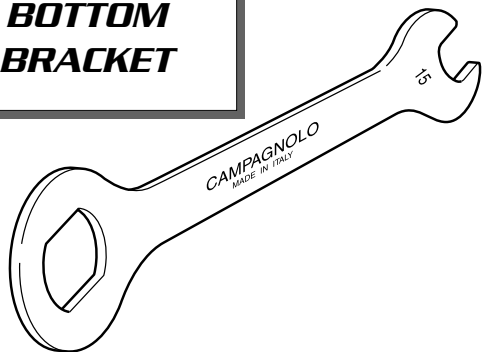
UT-BB055: Fresa con inserti metallo duro

Cutter for tools UT-BB050 and UT-BB051

UT-BB054: standard cutter

UT-BB055: cutter with hard metal inserts

BOTTOM BRACKET

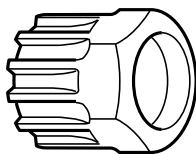
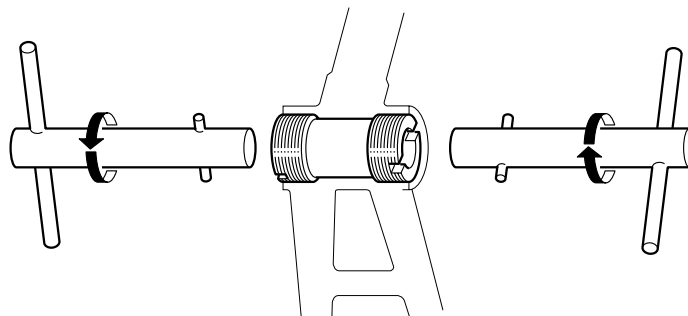


UT-BB030

Chiave per calotta destra movimenti centrali e per montaggio pedali
Spanner for bottom bracket right-hand cup and installing pedals
Clé pour cuvette droite jeu de pédalier et montage pédales
Schlüssel für rechte Innenlagerschalen und Pedal-Montage

UT-BB060

Chiave per montaggio manicotti attrezzi UT-BB050/UT-BB051 (1 pz.)
Key for BB-thread guides UT-BB050/UT-BB051 (1 pcs.)
Clé pour montage guides pour outils UT-BB050/UT-BB051 (1 pcs.)
Rohrschlüssel für Tretlagergewinde-Führungsteile UT-BB050/UT-BB051 (1 Stück)

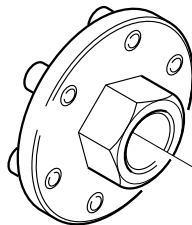


UT-BB080 (1 pz.) - 10-UT-BB080 (10 pz.):

Chiave per montaggio movimenti centrali CART e ghiera di chiusura pacchi pignoni
Cartridge bottom bracket and sprocket cassette- lock ring remover
Clé pour montage jeux de pédalier CART et roues-libres à cassette
Schlüssel zur Montage von Patronen-Tretlager und Schließring für Freilaufzahnkranz

UT-BB100

Utensile per movimenti a cartuccia Daytona/Centaur™, Veloce™ e Mirage™
Tool for Daytona/Centaur™, Veloce™ and Mirage™ cartridge bottom bracket
Clé pour jeux de pédalier à cartouche Daytona/Centaur™, Veloce™ et Mirage™
Montageschlüssel für Daytona/Centaur™, Veloce™ und Mirage™ Patronen-Tretlager



HEADSET / BOTTOM BRACKET

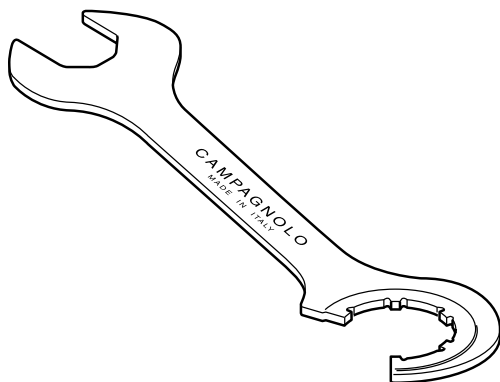


UT-BB010

Chiave per serie sterzo Ø 1" e calotta sinistra movimento centrale Pista™
 Spanner for Ø 1" head sets and Pista™ bottom bracket left hand cup
 Clé pour direction Ø 1" et cuvette réglable jeu de pédalier Pista™
 Schlüssel für Ø 1" Steuersatz und Stiftschlüssel für Pista™ Tretlagerschale

UT-BB011

Punta per chiave UT-BB010
 Pin for UT-BB010
 Grain pour clé UT-BB010
 Stift für Schlüssel UT-BB010



UT-HS010

Chiave per serie sterzo Ø 1" e contranello movimento centrale Pista™
 Spanner for Ø 1" head sets and Pista™ bottom bracket counter ring
 Clé pour direction Ø 1" et contre-écrou du jeu de pédalier Pista™
 Schlüssel für Ø 1" Steuersatz und Pista™ Tretlager-Konterring

FRAME PREPARATION

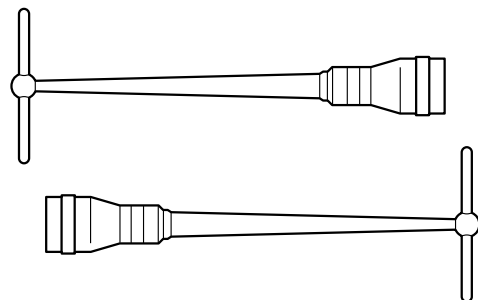
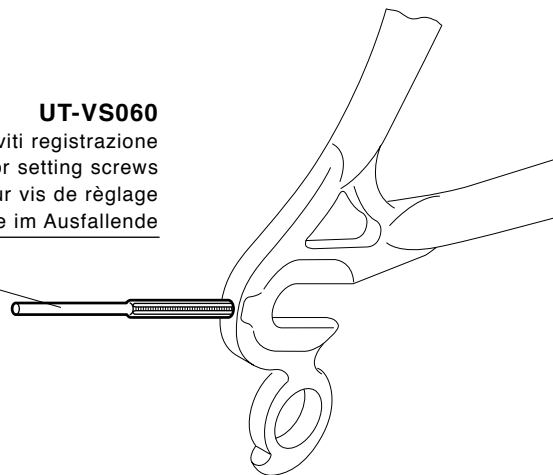
UT-VS060

Maschio M3 x 0,5 per ripasso filetti forcellini per viti registrazione

M3 x 0,5 tap for recutting rear drop-out threads for setting screws

Taraud M3 x 0,5 pour repassage filetage pattes de cadre pour vis de réglage

M3 x 0,5 Gewindebohrer zum Nachschneiden von Stellschraubengewinde im Ausfallende



UT-VS120

Calibro per controllo allineamento forcellini e punte forcelle (2 pz.)

Drop-out alignment set (2 pcs.)

Calibre pour contrôle alignement pattes de cadres et pattes de fourches (2 pcs.)

Werkzeug zum Ausrichten von Gabel- und Ausfallenden (2 St.)

**FRAME
PREPARATION**

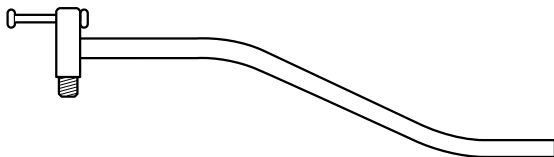
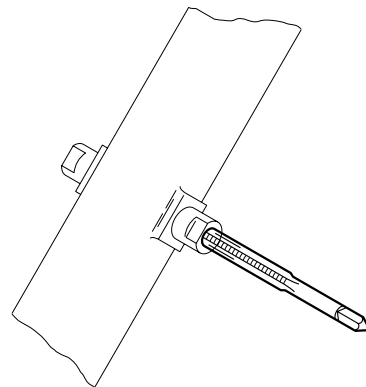
UT-VS050

Maschio M5 x 0,8 per ripasso filetti attacchi quadri comandi e attacchi borracce

M5 x 0,8 tap for recutting shifting lever- and bottle cage threads

Taraud M5 x 0,8 pour repassage filetage plots de manettes et attaches bidons

M5 x 0,8 Gewindebohrer zum Nachschneiden der Gewinde für Schalthebel und Trinkflaschenhalter



UT-VS030

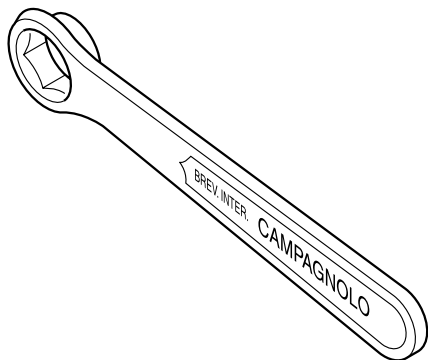
Riscontro allineamento occhiello attacco cambio

Rear derailleur hanger alignment tool

Calibre de contrôle attache de dérailleur arrière

Richtwerkzeug zur Kontrolle von Ausfallende mit Schaltauge

CRANKS / CHAINRINGS



UT-FC050

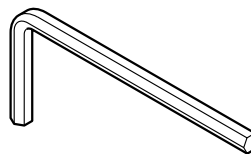
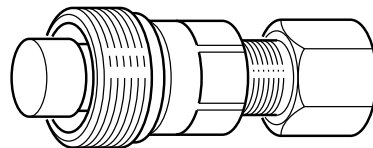
Chiave con esagono da 15 mm per estrattore pedivelle
15 mm crank bolt spanner
Clé avec hexagone de 15 mm pour extraire manivelles
15 mm Schlüssel für Tretkurbelabzieher

UT-FC060

Estrattore pedivelle standard
Extractor for standard cranks
Extracteur manivelles standards
Standard - Tretkurbelabzieher

UT-FC070

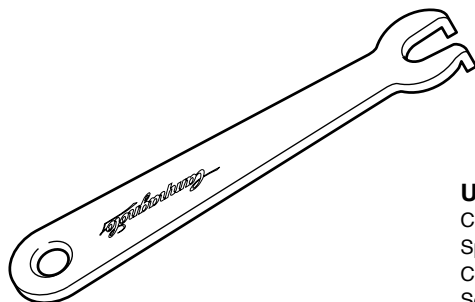
Estrattore pedivelle con filetto a sinistra
Extractor for cranks with l.h. thread
Extracteur manivelles avec filetage à gauche
Tretkurbelabzieher mit Linksgewinde



UT-FC030

Chiave a brugola da 5 mm
5 mm allen key
Clé à pans creux de 5 mm
5 mm L-Schlüssel

**CRANKS /
CHAINRINGS /
BRAKES**



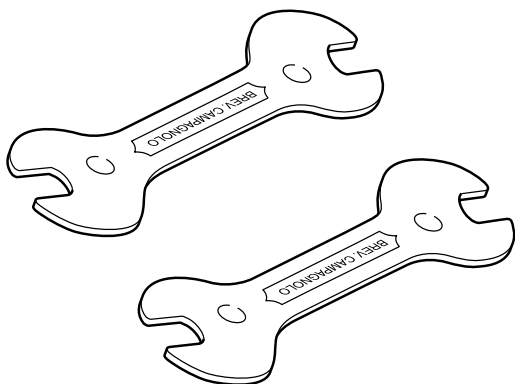
UT-FC040

Chiave per dadi fissaggio ingranaggi

Spanner for chainring retaining nuts

Clé pour écrous de fixation plateaux de pédaliers

Schlüssel zur Befestigung von Kettenblattbolzen



UT-BR010

Coppia chiavi 13-14 per registrazione freni e coni mozzi

Pair of 13-14 mm spanners for adjusting brakes and hub cones

Paire clés 13-14 pour réglage freins et cônes de moyeux

13-14 mm Schlüssel (2 Stücke) zum Einstellen von Bremsen und Nabelkonen

HUBS & WHEELS

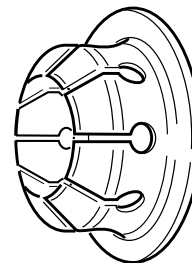
UT-HU090

Attrezzo per montaggio cricchetti ruota libera su mozzi standard e HPW™

Freewheel-pawl assembling tool (standard and HPW™-hubs)

Outil pour montage cliquets de roue-libre sur moyeux standard et HPW™

Werkzeug zur Montage der Kassettenkörper-Sperrklinken (Standard- und HPW™-Nabe)



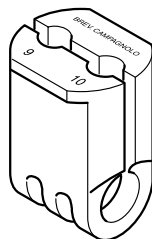
UT-HU020

Pinza per perni filettati mozzi

Hub axle vise

Pince pour axes filetés de moyeux

Klemmvorrichtung für Naben-Achsgewinde



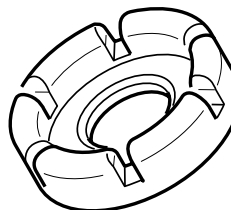
UT-HU050

Tiraraggi

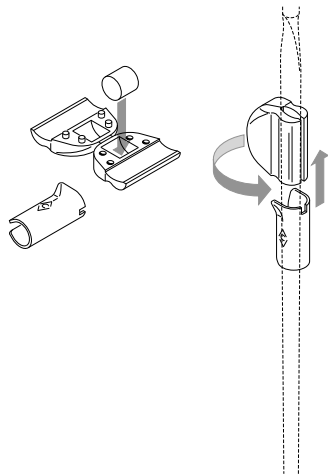
Spoke wrench

Clé à rayons

Speichenschlüssel

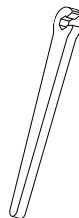


HUBS & WHEELS



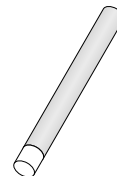
UT-WH060

Magnete velocità per raggi EURUS™ 06
 SPD magnet for EURUS™ 06 spokes
 Aimant vitesse pour rayons EURUS™ 06



UT-WH040

Chiave tiraraggi EURUS™ 06
 Spoke wrench EURUS™ 06
 Clé à rayons EURUS™ 06



UT-WH050

Magnete guida-nipplo
 Nipple guide magnet
 Aimant de guidage écrou

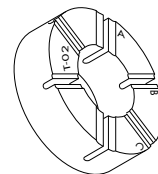


UT-WH020

Inserto nipplo attira-magnete per EURUS™ 06
 Magnet-attracting nipple insert for EURUS™ 06
 Insert d'écrou pour attirer l'aimant EURUS™ 06

UT-WH030

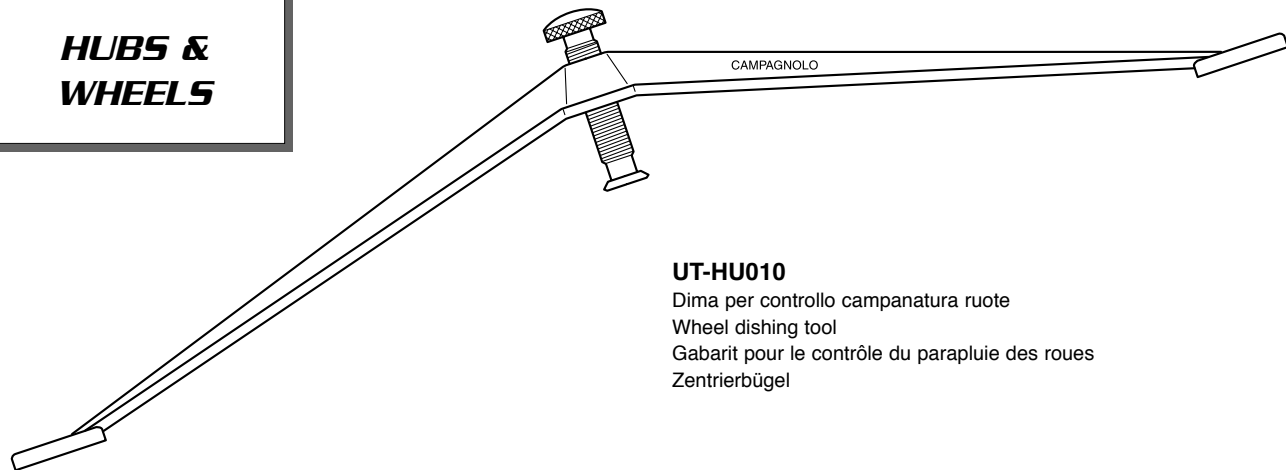
Inserto nipplo attira-magnete per ZONDA™ 06
 Magnet-attracting nipple insert for ZONDA™ 06
 Insert d'écrou pour attirer l'aimant ZONDA™ 06



UT-WH010

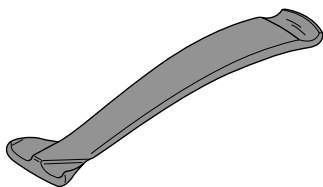
Anello anti-rotazione raggi
 Spoke antirotation ring
 Bague antirotation des rayons

HUBS & WHEELS



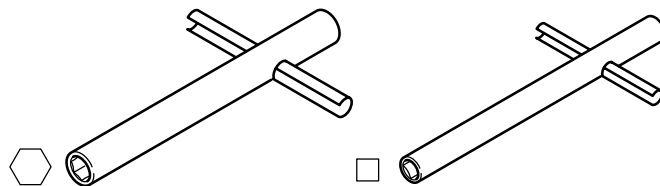
UT-HU010

Dima per controllo campanatura ruote
Wheel dishing tool
Gabarit pour le contrôle du parapluie des roues
Zentrierbügel



WH-009HYC

Leva in composito per rimozione copertoncino
Composite lever for removing clinchers
Démonte-pneus en composite
Reifenheber aus Verbundwerkstoff zum Abnehmen des Drahtreifens



UT-HU070

Chiave con esagono da 5,5 mm per raggi ruote
5,5 mm nut driver for wheel spokes
Clé à rayons de 5,5 mm
5,5 mm Nippelspanner

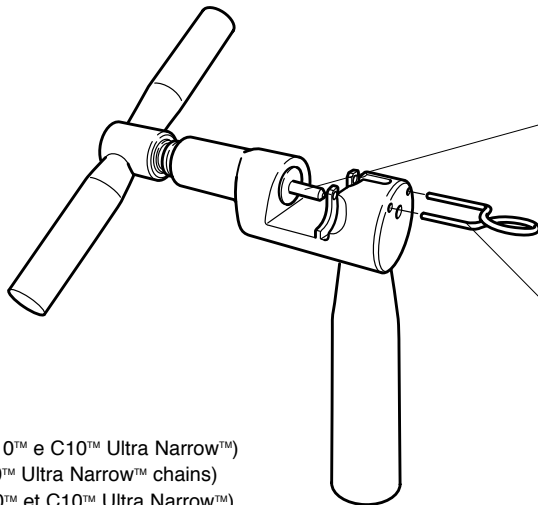
UT-HU060

Chiave per raggi ruote Bora™ (fino a gamma '02 - per gamma '03 e succ. vedi pag. 120)
Bora™ wheel truing tool (till '02 range - from '03 range see page 120)
Clé à rayons pour Bora™ (jusqu'à la gamme '02 - pour gamme '03 et suivantes p. 120)
Vierkant-Nippelspanner für Bora™ (bis '02 Produktlinie - ab '03 Produktlinie siehe S. 120)

SPROCKETS / CHAIN

CAMPY™ UT-CN200

Utensile per **HD-Link™** (catene C10™ e C10™ Ultra Narrow™)
 Tool for **HD-Link™** (C10™ and C10™ Ultra Narrow™ chains)
 Outil pour **HD-Link™** (chaînes C10™ et C10™ Ultra Narrow™)
 Werkzeug für **HD-Link™** (C10™ und C10™ Ultra Narrow™ Kette)

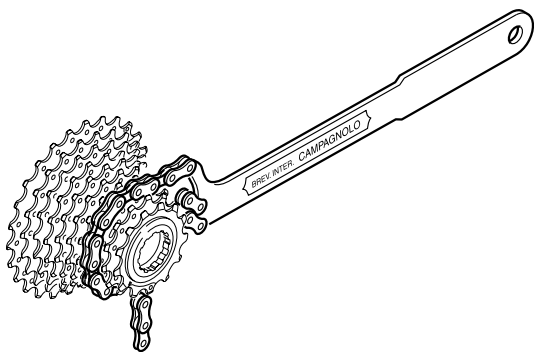


UT-CN201

Spintore per UT-CN200
 Pusher for UT-CN200
 Poinçon pour UT-CN200
 Schieber für UT-CN200

UT-CN202

Dispositivo di blocco per UT-CN200
 Clamping device for UT-CN200
 Dispositif de blocage pour UT-CN200
 Sperrvorrichtung für UT-CN200



UT-CS060

Chiave con catena 10s per smontaggio pignoni 10s, 9s e 8s
 Spanner with 10s chain for 10, 9 and 8s sprockets
 Fouet à chaîne 10s pour pignons 10s, 9s et 8s
 Zahnkranzabnehmer mit Rennkette 10s für 10-, 9- und 8s Ritzeln

| ENGLISH | ITALIANO | FRANCAIS | DEUTSCH |
|------------------------|-----------------------|-----------------------|------------------------|
| BRAKE HOUSING FERRULES | CAPIGUAINA FRENO | BUTEE DE GAINE FREINS | BREMSZUG-ENDKAPPE |
| CLINCHER | COPERTONCINO | PNEUS ETROIT | DRAHTREIFEN |
| COMPATIBLE | COMPATIBILE | COMPATIBLE | KOMPATIBEL |
| FIXED CLEAT | TACCHETTA SENZA GIOCO | CALES SANS JEU | SCHUHPLATTE OHNE SPIEL |
| FLOATING CLEAT | TACCHETTA CON GIOCO | CALES AVEC JEU | SCHUHPLATTE MIT SPIEL |
| FRONT (F) | ANTERIORE | AVANT | VORDER |
| FRONT HUB | MOZZO ANTERIORE | MOYEU AVANT | VR-NABE |
| FW BODY | CORPO RL | CORPS RL | FREILAUFKÖRPER |
| LEFT (L) | SINISTRO | GAUCHE | LINKS |
| LONG | LUNGO | LONGUE | LANG |
| MEDIUM | MEDIO | MOYEN | MITTELLANG |
| NOT COMPATIBLE | NON COMPATIBILE | NON COMPATIBLE | NICHT KOMPATIBEL |
| ONLY | SOLO | SEULEMENT | NUR |
| PREVIOUS | PRECEDENTE | PRECEDENT | VORHERGEHEND |
| PRODUCT RANGE | GAMMA PRODOTTI | GAMME PRODUITS | PRODUKTLINIE |
| REAR (R) | POSTERIORE | ARRIERE | HINTER |
| REAR HUB | MOZZO POSTERIORE | MOYEU ARRIERE | HR-NABE |
| RIGHT (R) | DESTRO | DROIT | RECHTS |
| SHORT | CORTO | COURT | KURZ |
| SPRING | MOLLA | RESSORT | FEDER |
| SPACER | DISTANZIALE | ENTRETOISE | DISTANZRINGE |
| SPOKE | RAGGIO | RAYON | SPEICHE |
| THREAD | FILETTO | FILETAGE | GEWINDE |
| TUBULAR | TUBOLARE | BOYAU | SCHLAUCHREIFEN |

Avviso Importante su PRESTAZIONI, SICUREZZA E GARANZIA

I componenti delle trasmissioni 9s e 10s, gli impianti frenanti, e la maggior parte dei componenti Campagnolo®, sono progettati come un unico sistema integrato. Per non compromettere la SICUREZZA, le PRESTAZIONI, la LONGEVITA', la FUNZIONALITA' e per non invalidare la GARANZIA, vi raccomandiamo di utilizzare **esclusivamente** i componenti specificati dalla Campagnolo Srl, senza interfacciarli o sostituirli con prodotti fabbricati da altre aziende.

Important PERFORMANCE, SAFETY and WARRANTY Notice

The components of the 9s and 10s drivetrains, the braking systems, and most Campagnolo® components, are designed as a single integrated system. To avoid compromises in terms of SAFETY, PERFORMANCE, DURABILITY, FUNCTION, and to prevent voiding the WARRANTY, we recommend that you **only** use the components specified by Campagnolo Srl, without interfacing them with or substituting them with products manufactured by other companies.

Notice important sur PERFORMANCES, SECURITE ET GARANTIE

Les composants des transmissions 9s et 10s, les freins et la plus part des composants Campagnolo®, sont projetés come un seul système intégré. Pour ne pas compromettre la SECURITE, les PERFORMANCES, la LONGEVITE, la FONCTIONNALITE et pour ne pas invalider la GARANTIE, on vous recommande **de n'utiliser que** les composants spécifiés par Campagnolo Srl, sans les relier avec ou les remplacer par des produits fabriqués par d'autres sociétés.

Wichtiger Hinweis zu PRODUKTLEISTUNG, SICHERHEIT und GARANTIE

Die Komponenten der 9s und 10s Antriebssysteme, des Bremssystems, sowie Großteil der von Campagnolo® hergestellten Komponenten, wurden als Bestandteile eines integrierten Systems entwickelt. Um die SICHERHEIT, die LEISTUNG, die DAUER, die FUNKTIONSTÜCHTIGKEIT und die GARANTIE nicht zu beeinträchtigen, empfehlen wir den **ausschließlichen** Gebrauch der von Campagnolo Srl spezifizierten Bestandteile und diese nicht mit Produkten anderer Hersteller zu ersetzen oder zu kombinieren.

Avviso Importante sobre PRESTACIONES, SEGURIDAD Y GARANTÍA.

Los componentes de las transmisiones 9s y 10s, los sistemas de frenado, y la mayor parte de componentes Campagnolo®, han sido ideados como un único sistema integrado. Con el fin de no comprometer la SEGURIDAD, las PRESTACIONES, la LONGEVIDAD, la FUNCIONALIDAD y no invalidar la GARANTÍA, os aconsejamos utilizar **exclusivamente** los componentes especificados por Campagnolo Srl, sin combinarlos o sustituirlos con productos fabricados por otras empresas.

Campagnolo, Campy, Record, Chorus, EPS, CT, Centaur, Veloce, Mirage, Xenon, Hyperon, Neutron, Proton, Eurus, Zonda, Scirocco, Vento, Bora, Ghibli, Pista, Time Trial, Ergobrain, Superlative, Floating-Link-Action, HD-Link, HD-L, Exa-Drive, Ultra-Drive, Pro-Fit, Pro-Fit PLUS, Differential brakes, Threadless, Hiddenset, Hiddenset TTC, TTC, Ergopower, BB System, C10, C9, ED, UD, Ultra Narrow, HPW, G3, Grouped Spokes, DPRO, Dual Profile, Ultralinear-Geometry, Ultralinear, Differential rims, Differential spokes, Asymmetric, Ultra, Ultra Aero, Full Carbon, Multidirectional, Unidirectional, AC-H, AC-S, SC-S, Big, Miro, Pro-Shop, Tecnologia ed Emozione are Campagnolo S.r.l. Trademarks.

ITALY - Central Service Center

CAMPAGNOLO SRL HEADQUARTERS

Via della Chimica, 4 - 36100 VICENZA

Phone: +39-0444-225605

Fax: +39-0444-225606

E-mail: service@campagnolo.com

AUSTRALIA

CYCLING PROJECTS

Shop 1 - 86 King Street,

NSW 2193 Ashbury

Phone: +61-2-97992407

Fax: +61-2-97879940

AUSTRIA

CAMPAGNOLO DEUTSCHLAND GMBH

Alte Garten 60-62

51371 LEVERKUSEN - DEUTSCHLAND

Phone: +49-214-206953-20

Fax: +49-214-206953-15

BENELUX

I.C.C. - INTERNATIONAL CYCLE CONNECTION

Weststraat 42 - P.O. Box 73

4527 ZH AARDENBURG - Netherlands

Phone: +31-117-492820

Fax: +31-117-492835

CANADA

CYCLES MARINONI INC

1067, Levis - LACHENAIE - QUEBEC J6W 4L2

Phone: +1-450-4717133

Fax: +1-450-4719887

GREAT WESTERN BICYCLE CO. LTD.

233 West Broadway

VANCOUVER BC V5Y 1P5

Phone: +1-604-8722424

Fax: +1-604-87202226

CZECH REPUBLIC

KOLA SIRER

P.O. Box 107 - 26601 BEROUN 1

Phone: 00420-311-621355

Fax: 00420-311-625492

DENMARK

MARKER SCANDINAVIA

Industrivej 1D - DK-4000

Roskilde - DENMARK

Phone: +45-70228075

Fax: +45-46498088

FINLAND

MARKER SCANDINAVIA

Industrivej 1D - DK-4000

Roskilde - DENMARK

Phone: +45-70228075

Fax: +45-46498088

FRANCE

CAMPAGNOLO FRANCE EURL

ZA du Tissot - 42530 St Genest - Lerpt

Phone: +33-(0)477-556305

Fax: +33-(0)477-556345

GERMANY

CAMPAGNOLO DEUTSCHLAND GMBH

Alte Garten 60-62

51371 LEVERKUSEN - DEUTSCHLAND

Phone: +49-214-206953-20

Fax: +49-214-206953-15

GREECE

CYCLES FIDUSA - GIORGIO VOYATZIS & CO.

Th. Sofuli 97 - 85100 RHODOS

Phone: +30-241-021264

Fax: +30-241-021519

JAPAN

CAMPAGNOLO JAPAN LTD

65 Yoshida-cho, Naka-ku, Yokohama

231-0041 JAPAN

Phone: +81-45-264-2780

Fax: +81-45-241-8030

NEW ZEALAND

WH WORRALL CO. LTD.

43 Felix St./Penrose - P.O. Box 12481

AUCKLAND

Phone: +64-9-6360641

Fax: +64-9-6360631

NORWAY**MARKER SCANDINAVIA**

Industrivej 1D - DK-4000
 Roskilde - DENMARK
 Phone: +45-70228075
 Fax: +45-46498088

SLOVAC REPUBLIC**ZANZO S.R.O.**

02334, Kysucky Lieskovec 421
 82107 BRATISLAVA
 Tel. +421-245-523721
 Fax +421-245-249404

SOUTH AFRICA**CYCLING J&J (PTY) LTD.**

169 Meerlust Street
 Willow Glen - PRETORIA
 Tel. +27-012-8075570
 Fax +27-012-8074267

SPAIN**CAMPAGNOLO IBERICA S.L.**

Avda. de Los Huetos 46 Pab. 31
 01010 VITORIA
 Phone: +34-945-217195
 Fax: +34-945-217198

SWEDEN**MARKER SCANDINAVIA**

Industrivej 1D - DK-4000
 Roskilde - DENMARK
 Phone: +45-70228075
 Fax: +45-46498088

SWITZERLAND**PIERO ZURINO AG**

Flawilerstrasse 3a
 9500 WIL SG
 Phone: +41-71-9236001
 Fax: +41-71-9236353

U.G.D. SPORT DIFFUSION S.A.

La Taille - 2053 CERNIER
 Phone: +41-32-8536363
 Fax: +41-32-8536464

UNITED KINGDOM**ITALIAN CYCLE PRODUCTS LIMITED**

Unit 3, Napoleon Business Park
 Wheterby Road - DERBY - DE24 8HL
 Phone: +44-01332-371176
 Fax: +44-01332-371179

UNITED STATES**CAMPAGNOLO NORTH AMERICA INC.**

2105 Camino Vida Roble, Suite L
 CARLSBAD - CA 92011
 Phone: +1-760-9310106
 Fax: +1-760-9310991

UNITED STATES (continued)**OCHSNER INT. INC.**

246 E. Marquardt Drive
 WHEELING - IL 60090-6430
 Phone: +1-760-9310106
 Fax: +1-760-9310991

QUALITY BICYCLES PRODUCTS

6400 W. 105th Street
 BLOOMINGTON - MN 55438-2554
 Phone: +1-952-941-9391
 Fax: +1-952-941-9799

THE HAWLEY COMPANY, INC.

1181 South Lake Drive
 LEXINGTON - SC 29073-7744
 Tel. +1-803.359.3492 x 192
 Fax +1-803.359.1343