

Campagnolo[®]

2003

SPARE PARTS

&

TOOLS CATALOGUE

SERIE STERZO • HEADSET • STEUERSATZ • JEU DE DIRECTION

Record	1
Record Threadless 1" - 1-1/8"	1
Record Hiddenset 1" - 1-1/8" - 1-1/8" TTC	2
Chorus	3
Chorus Threadless	3
Chorus Hiddenset 1-1/8" - 1-1/8" TTC	4

REGGISELLA • SEAT POST • SATTELSTÜTZE • TIGE DE SELLE

Record Carbon	5
Chorus Titanium	5
Centaur	5

MOVIMENTO CENTRALE • BOTTOM BRACKET • INNENLAGER • JEU DE PEDALIER

Record	6
Chorus	6
Record Pista	6
AC-H	7
AC-S	7

GUARNITURA • CRANKSET • KETTENRADGARNITUR • PEDALIER

Record	8
Record Carbon	9
Record Triple	10
Record Pista	11
Chorus	12
Centaur	13
Centaur Triple	14
Veloce	15
Veloce Triple	16
Mirage / Xenon	17
Mirage Triple / Xenon Triple	18
Chrono / Triathlon	19

CAMBIO • REAR DERAILLEUR • SCHALTUNG • DERAILLEUR ARRIERE

Record	20
Chorus	21
Centaur	22
Veloce	23
Mirage	24
Xenon	25

DERAGLIATORE • FRONT DERAILLEUR • UMWERFER • DERAILLEUR AVANT

Record	26
Chorus	26
Record Triple	27
Centaur	28
Centaur Triple	29
Veloce	29
Mirage	30
Xenon	31

ERGOPOWER

Record	32
Chorus	33
Centaur	34
Veloce	35
Mirage	36
Xenon	37
Ergopowers / rear derailleurs cross compatibility	38

FRENI • BRAKES • BREMSSEN • FREINS

Record-D	40
Chorus-D	41
Centaur	42
Veloce	43
Mirage	44
Xenon	45

BAR-END

Bar-End Chrono/Triathlon	46
--------------------------------	----

COMANDI FRENO • BRAKE LEVERS • BREMSHEBEL • POIGNEES DE FREINS

Record Carbon 47

BLOCCAGGI • QUICK RELEASES • SCHNELLSPANNER • BLOCAGES

Record - Bora - Eurus - Ghibli - Hyperon - Neutron 48

Chorus 48

Centaur - Proton - Zonda - Veloce - Scirocco 49

MOZZI • HUBS • NABEN • MOYEUX

Record / Chorus / Centaur front hub 50

Record - Chorus - Centaur rear hub 51

Veloce / Mirage / Xenon front and rear hub 52

Record Pista front and rear hub 53

GHIERE • LOCKRINGS • VERSCHLUSSRING • ECROUS

Complete range 55

PIGNONI • SPROCKETS • RITZEL • CASSETTES

Record UD 10s 56

Record UD 10s Titanium 57

Chorus UD 10s 58

Centaur UD 10s 59

Veloce UD 9s (Mirage UD 9s compatible) 60

PEDALI • PEDALS • PEDALE • PEDALES

Record Pro-Fit PLUS 61

Chorus Pro-Fit PLUS 61

Centaur Pro-Fit PLUS 61

Other spares 62

CAVI E GUAINA • CABLES AND CASINGS • KABEL UND HÜLLEN • CABLES ET GAINES

Complete sets 64

Single parts 65

ERGOBRAIN

Parts 66

VARI • VARIOUS • VERSCHIEDENES • DIVERSES

Ergopower blocks / 8s adapter kit for 9/10s / HD-Link for C10 UD and C-10 HD-L chains / Chain lubricant	68
Blister-packed spare parts	69

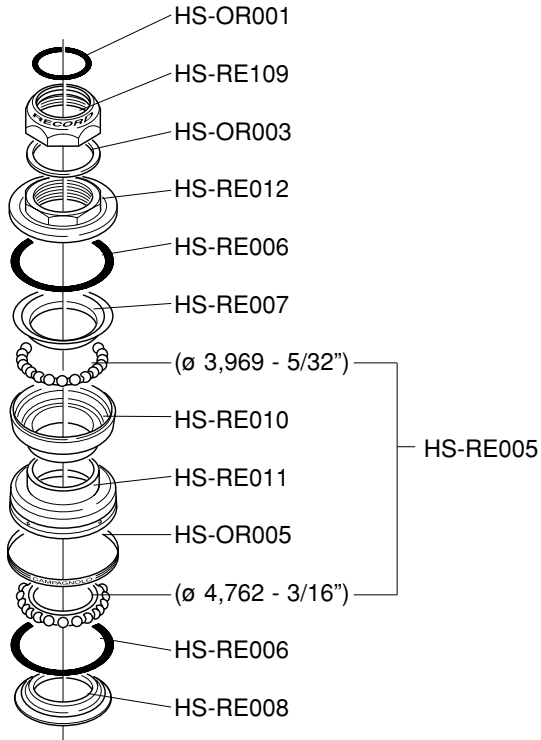
RUOTE • WHEELS • LAUFRÄDER • ROUES

Bora 9s / 10s	70
Eurus 9s / 10s	71
Hyperon 9s / 10s	72
Neutron 9s / 10s	73
Pista	74
Proton 9s / 10s	75
Scirocco 9s / 10s	76
Zonda 9s / 10s	76
Hyperon front hub	78
Hyperon rear hub	79
Bora / Neutron / Eurus front hub	80
Bora / Neutron / Eurus rear hub	81
Proton / Zonda front hub	82
Proton / Zonda rear hub	83
Scirocco front hub	84
Scirocco rear hub	85
Pista front hub	86
Pista rear hub	87

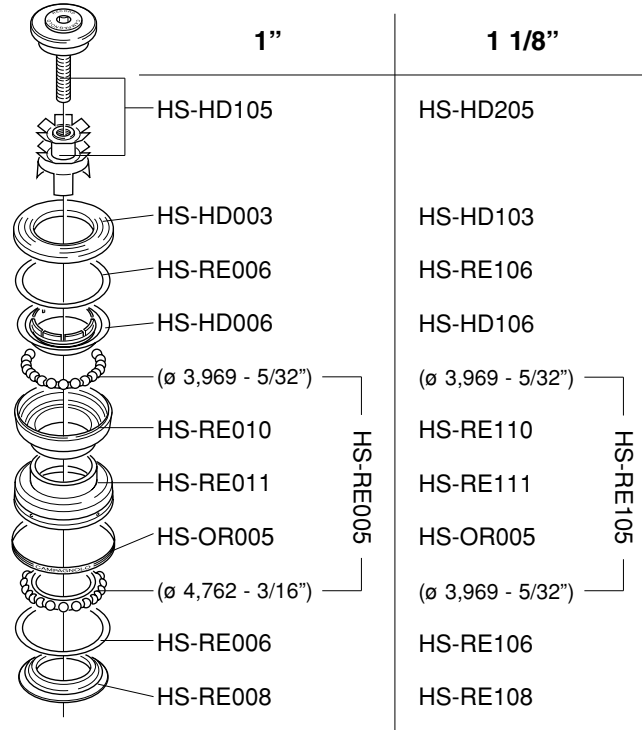
UTENSILI • TOOLS • WERKZEUGE • OUTILS

Headset	88
Bottom bracket	93
Frame preparation	98
Cranks / chainrings	100
Hubs & wheels	102
Sprockets / chains	105
Recommended tools	106
Service Centers	107

RECORD
HS00-RE



RECORD THREADLESS
1\"

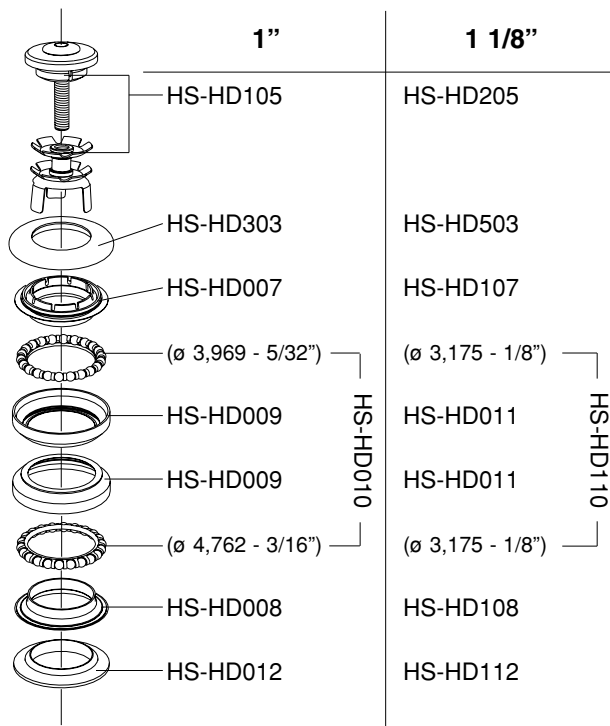


HEADSET

RECORD Hiddenset

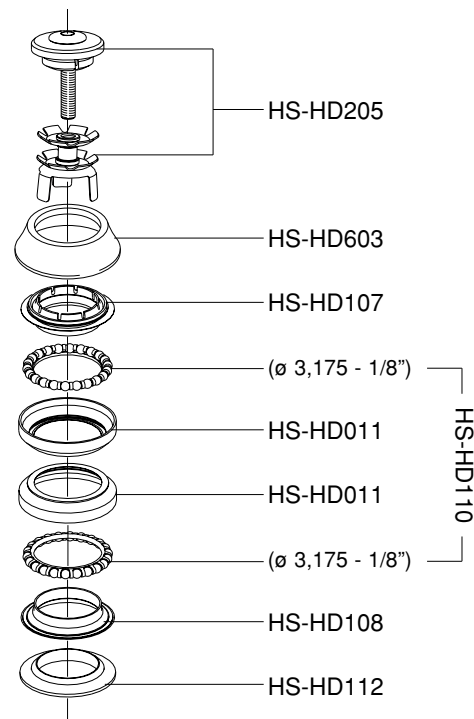
1": HS01-REHI

1 1/8": HS03-REHIOS

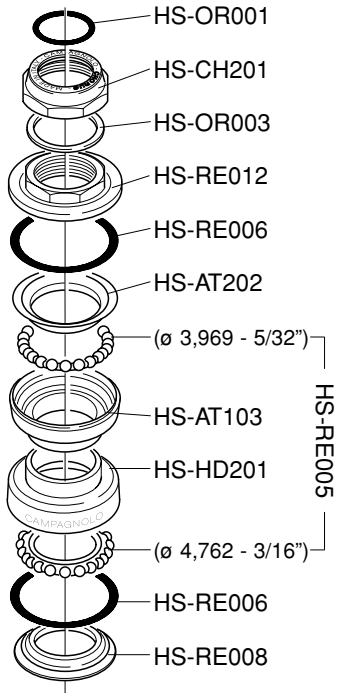


RECORD Hiddenset TTC

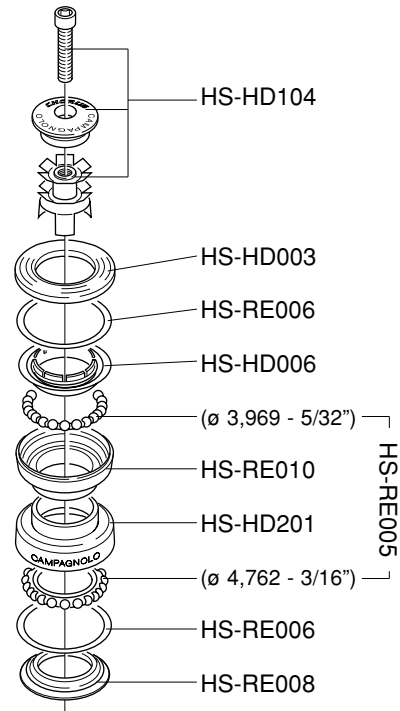
1 1/8": HS03-REHIOS



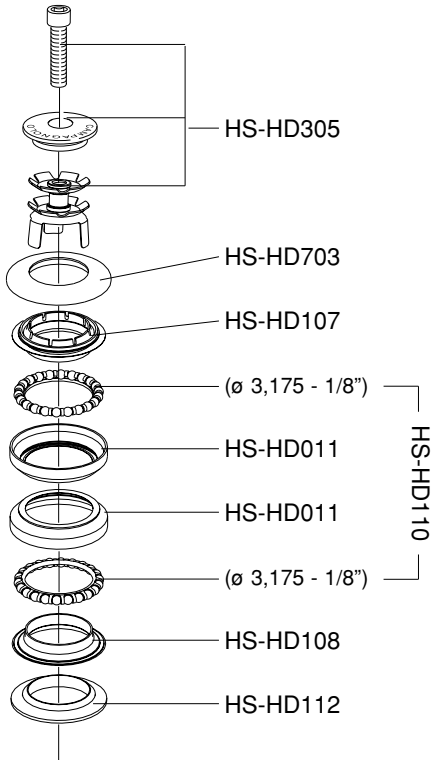
**CHORUS
HS00-CH**



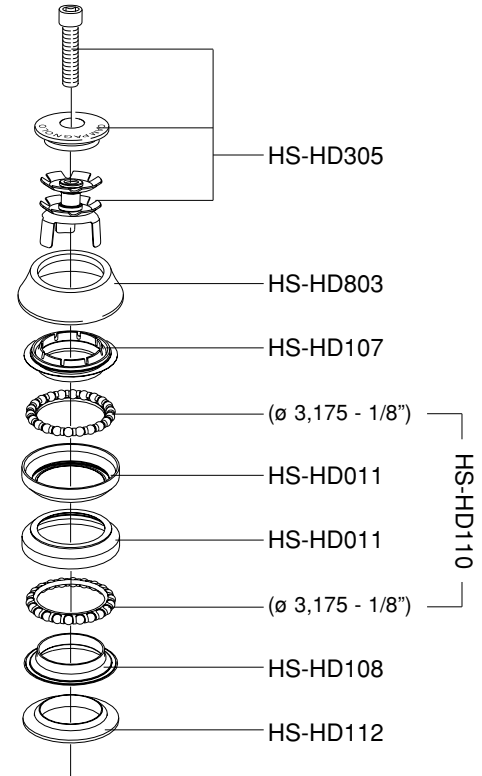
**CHORUS
THREADLESS
HS00-CHTH**



CHORUS Hiddenset 1 1/8": HS03-CHHIOS



CHORUS Hiddenset TTC 1 1/8": HS03-CHHIOST

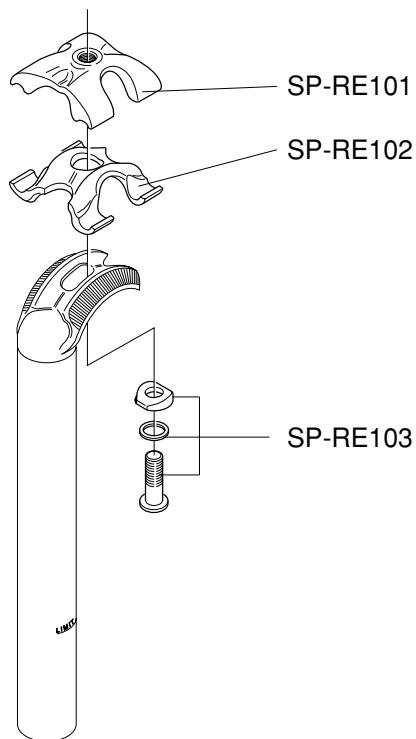


RECORD
Carbon

SP01-RE272C
SP01-RE272CL
SP02-RE324C

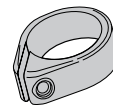
CHORUS
Titanium
SP01-CH272C

CENTAUR
SP02-CE272

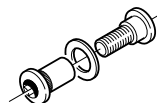


SP-RE106
per tubi Ø 31,6 / 31,9 mm
for tubes Ø 31,6 / 31,9 mm

SP-RE107
per tubi Ø 35,5 / 35,8 mm
for tubes Ø 35,5 / 35,8 mm



SP-RE104



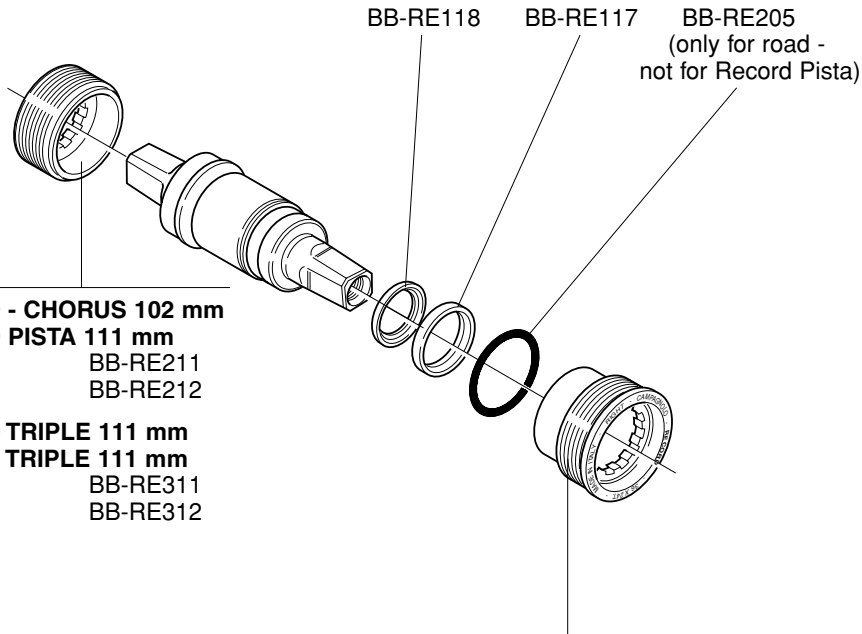
RECORD 102 mm
BB99-RE02IT
BB99-RE02BC

RECORD TRIPLE
 111 mm
 asymmetrical
BB02-RE11IT
BB02-RE11BC

CHORUS TRIPLE
 111 mm
 asymmetrical
BB03-CH11IT
BB03-CH11BC

CHORUS 102 mm
BB99-CH02IT
BB99-CH02BC

RECORD PISTA
 111 mm
BB01-REPIIT
BB01-REPIBC



RECORD - CHORUS 102 mm
RECORD PISTA 111 mm
 Italian: BB-RE211
 English: BB-RE212

RECORD TRIPLE 111 mm
CHORUS TRIPLE 111 mm
 Italian: BB-RE311
 English: BB-RE312

RECORD 102 mm / **RECORD PISTA** 111 mm
 Italian: BB-RE213
 English: BB-RE214

RECORD TRIPLE 111 mm
 Italian: BB-RE313
 English: BB-RE314

CHORUS TRIPLE 111 mm
 Italian: BB-CH313
 English: BB-CH314

CHORUS 102 mm
 Italian: BB-CH213
 English: BB-CH214

AC-H

111 mm

BB00-AH11IT
BB00-AH11BC

115,5 mm

BB00-AH15IT
BB00-AH15BC

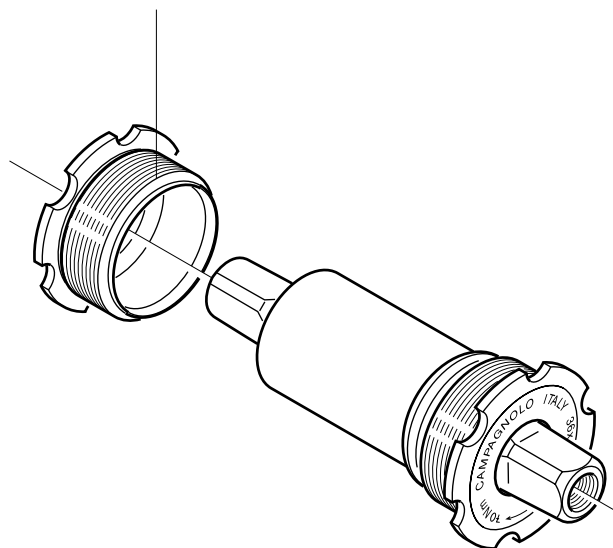
AC-S

111 mm

BB00-AS11IT
BB00-AS11BC

ITALIAN:
ENGLISH:

BB-AH001
BB-AH003



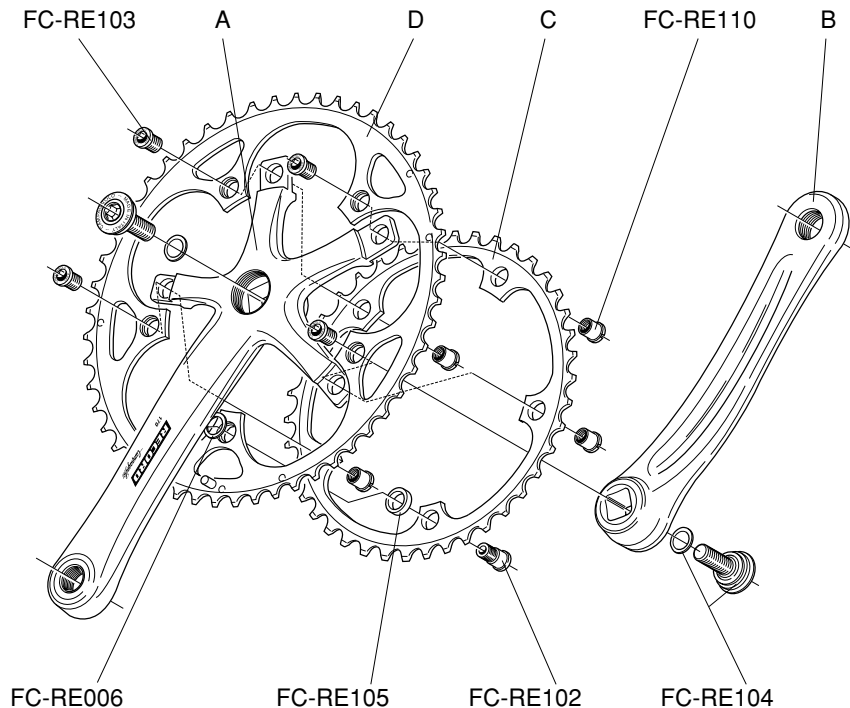
RECORD 10s **FC03-RE...10**

A	170 mm	FC-RE760
	172,5 mm	FC-RE762
	175 mm	FC-RE764
	177,5 mm	FC-RE766
	180 mm	FC-RE768

B	170 mm	FC-RE761
	172,5 mm	FC-RE763
	175 mm	FC-RE765
	177,5 mm	FC-RE767
	180 mm	FC-RE769

C	Z39	FC-RE039
	Z42	FC-RE142

D	Z52 for 39	FC-RE652
	Z52 for 42	FC-RE552
	Z53 for 39	FC-RE453



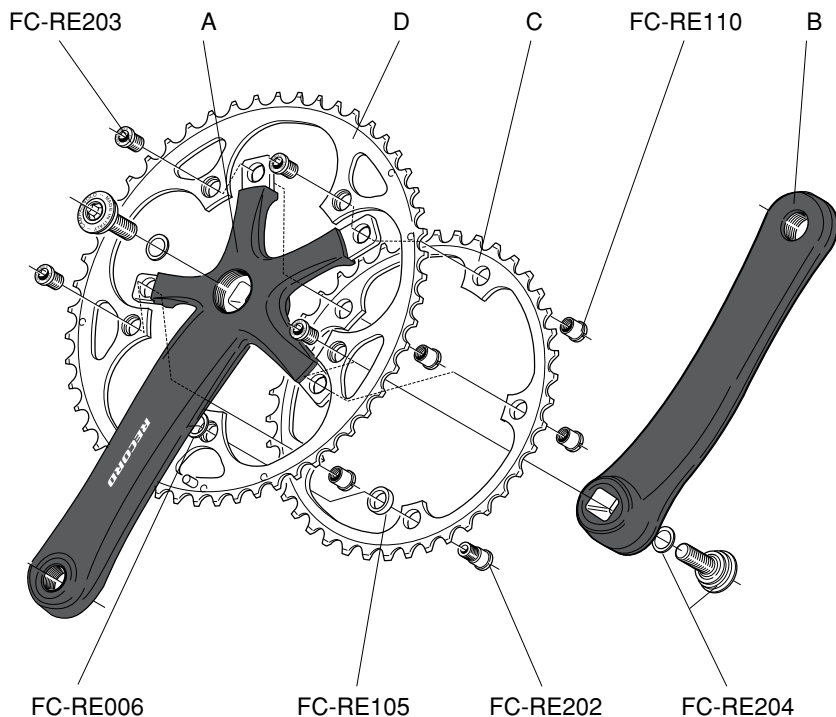
RECORD
Carbon 10s
FC03-RE...C

A	170 mm	FC-RE740C
	172,5 mm	FC-RE742C
	175 mm	FC-RE744C

B	170 mm	FC-RE741C
	172,5 mm	FC-RE743C
	175 mm	FC-RE745C

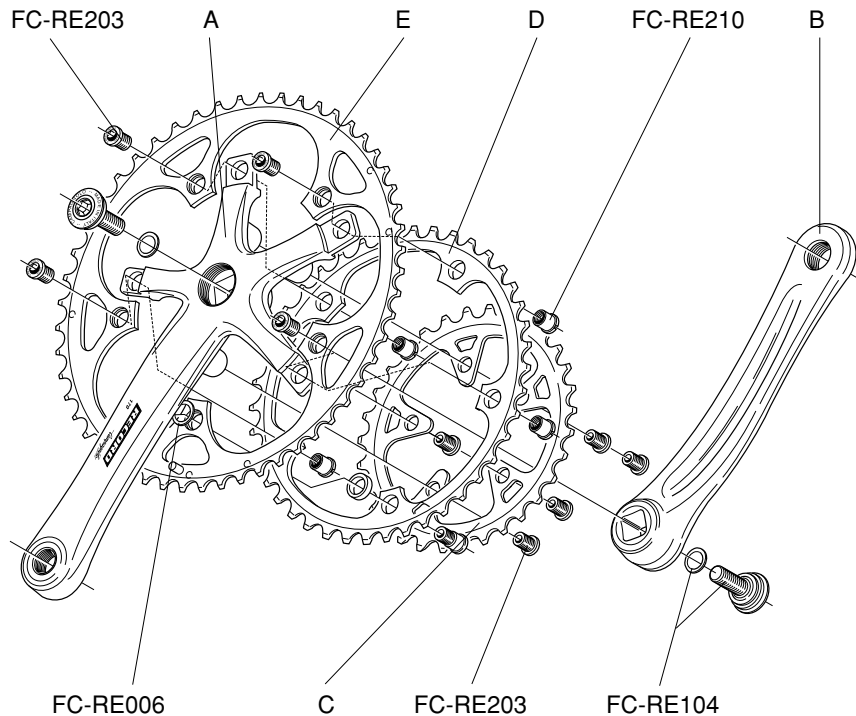
C	Z39	FC-RE039
	Z42	FC-RE142

D	Z52 for 39	FC-RE652
	Z52 for 42	FC-RE552
	Z53 for 39	FC-RE453



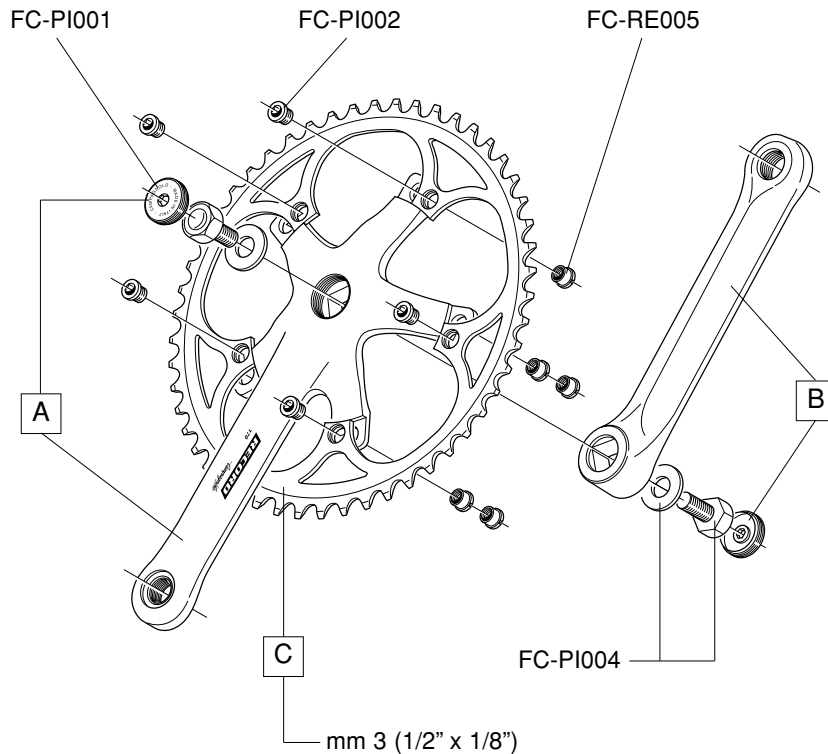
RECORD
TRIPLE 10s
FC03-RE....10

A	170 mm	FC-RE830
	172,5 mm	FC-RE832
	175 mm	FC-RE834
B	170 mm	FC-RE831
	172,5 mm	FC-RE833
	175 mm	FC-RE835
C	Z30	FC-RE030
D	Z40 for 30	FC-RE040
	Z42 for 30	FC-RE442
E	Z50 for 40	FC-RE050
	Z53 for 42	FC-RE053



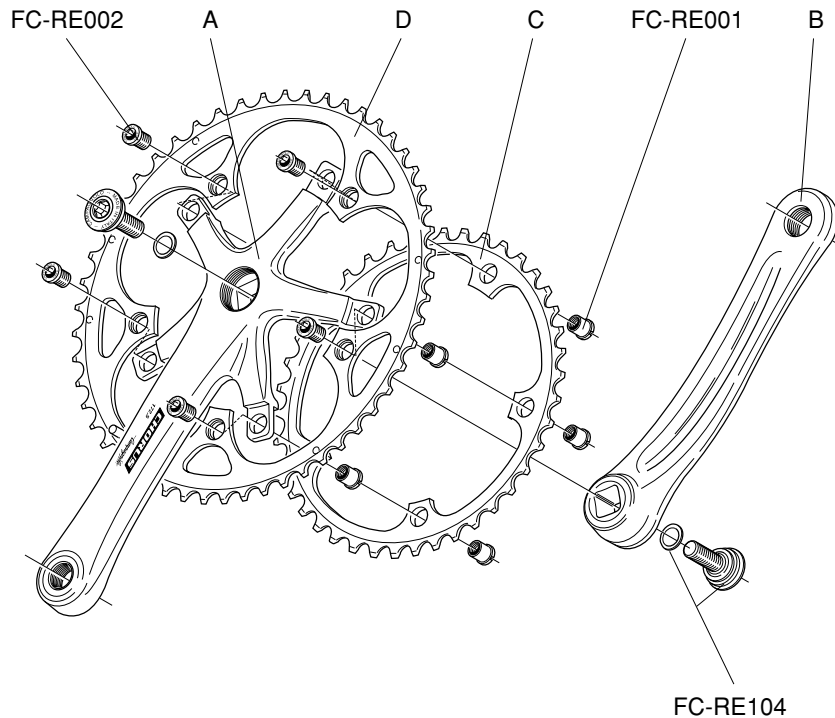
RECORD
PISTA
FC01-REPI...

A	165 mm	FC-PI365
	170 mm	FC-PI370
B	165 mm	FC-PI465
	170 mm	FC-PI470
C	Z47	FC-PI047
	Z48	FC-PI048
	Z49	FC-PI049
	Z50	FC-PI050
	Z51	FC-PI051
	Z52	FC-PI052



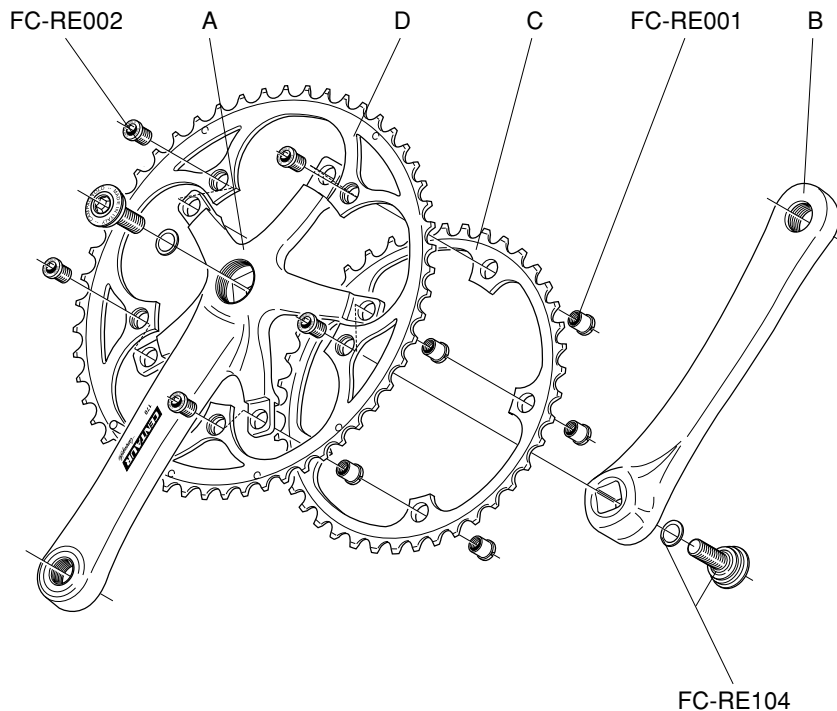
CHORUS 10s **FC00-CH...10**

A	170 mm	FC-CH770
	172,5 mm	FC-CH772
	175 mm	FC-CH774
B	170 mm	FC-CH771
	172,5 mm	FC-CH773
	175 mm	FC-CH775
C	Z39	FC-RE039
	Z42	FC-RE142
D	Z52 for 39	FC-CH252
	Z52 for 42	FC-CH452
	Z53 for 39	FC-CH253



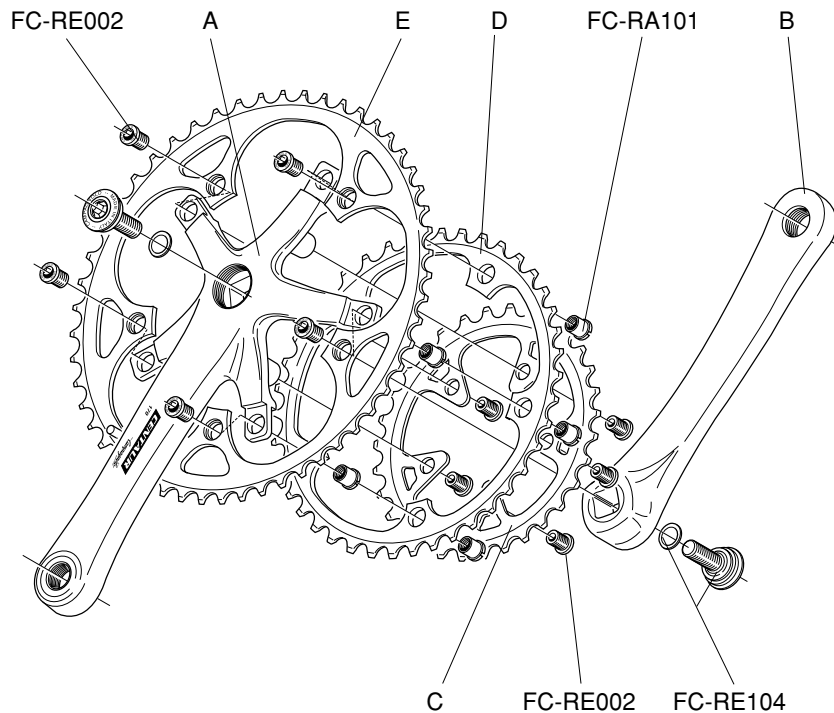
CENTAUR 10s
FC02-CE...10

A	170 mm	FC-CE820
	172,5 mm	FC-CE822
	175 mm	FC-CE824
B	170 mm	FC-CE821
	172,5 mm	FC-CE823
	175 mm	FC-CE825
C	Z39	FC-RE039
	Z42	FC-RE142
D	Z52 for 39	FC-CH252
	Z52 for 42	FC-CH452
	Z53 for 39	FC-CH253



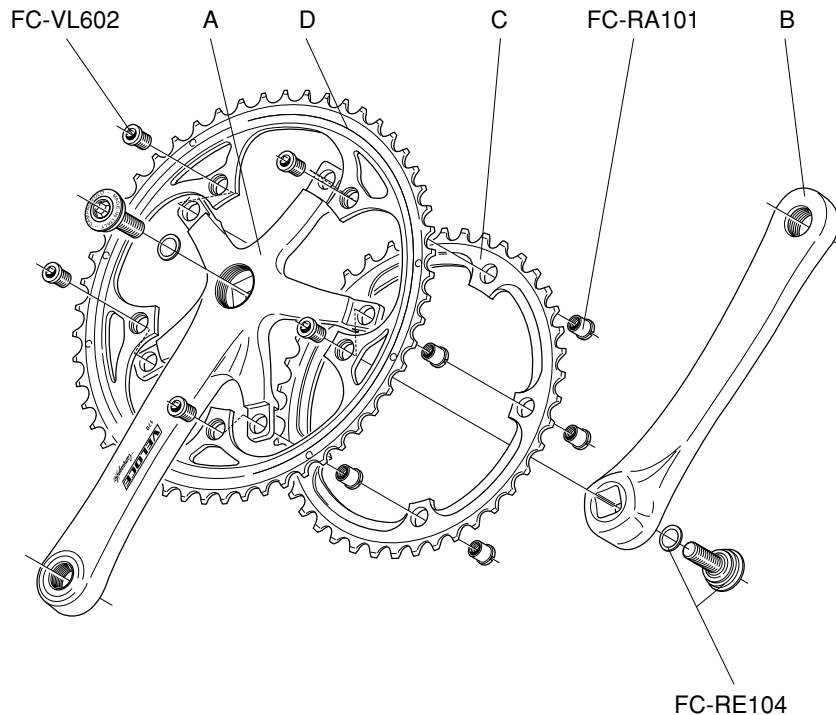
CENTAUR
TRIPLE 105
FC03-CE....10

A	170 mm	FC-CE826
	175 mm	FC-CE828
B	170 mm	FC-CE827
	175 mm	FC-CE829
C	Z30	FC-RE030
D	Z40 for 30	FC-CE040
	Z42 for 30	FC-CE042
E	Z50 for 40	FC-CE050
	Z53 for 42	FC-CE053



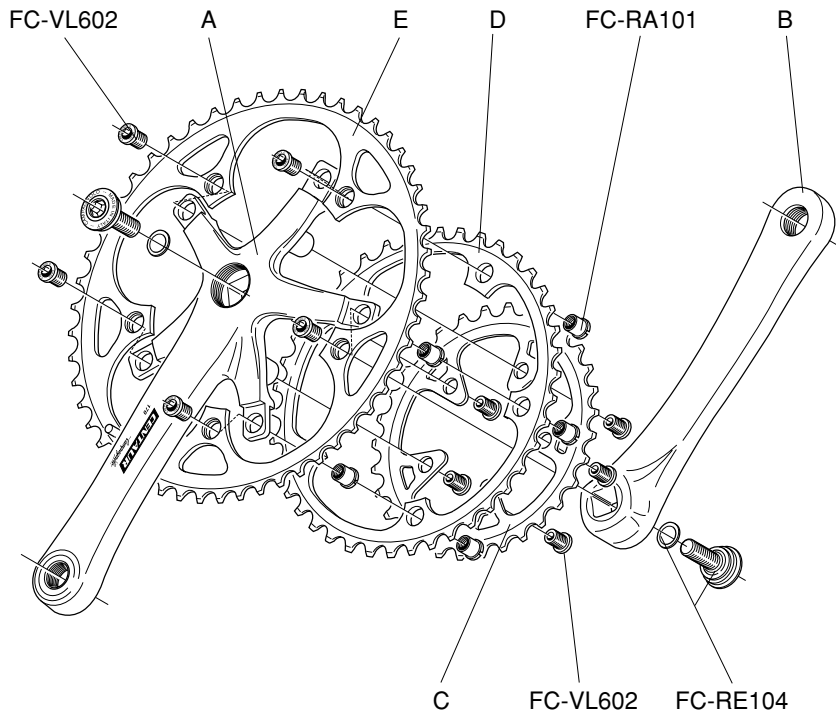
VELOCE 9s
FC01-VL...

A	170 mm	FC-VL790
	172,5 mm	FC-VL792
	175 mm	FC-VL794
B	170 mm	FC-VL791
	172,5 mm	FC-VL793
	175 mm	FC-VL795
C	Z39	FC-MI039
	Z42	FC-MI042
D	Z52 for 42	FC-MI352
	Z53 for 39	FC-MI153



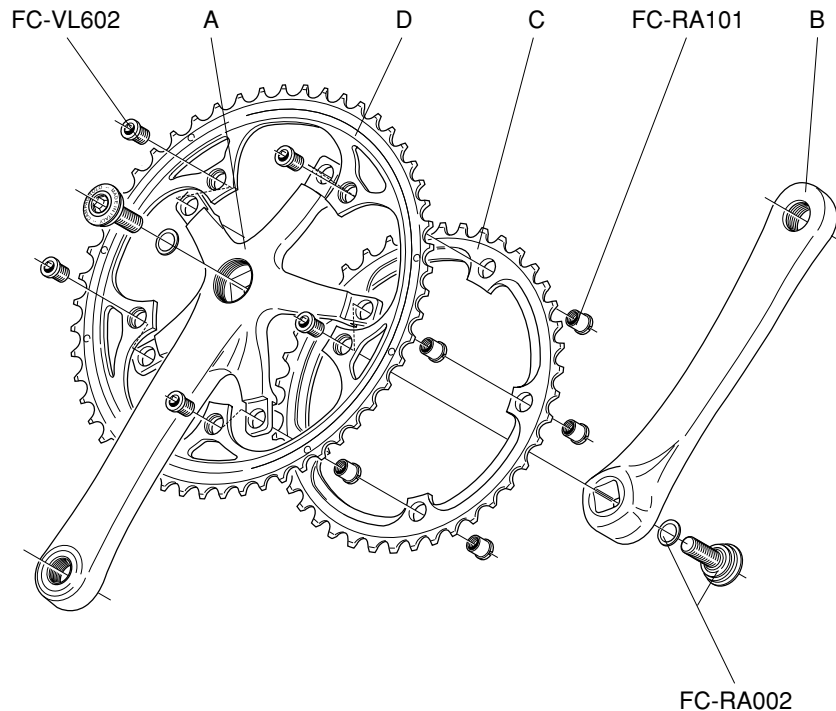
VELOCE
TRIPLE 9s
FC01-VL....

A	170 mm	FC-VL796
	175 mm	FC-VL798
B	170 mm	FC-VL797
	175 mm	FC-VL799
C	Z30	FC-MI730
D	Z42 for 30	FC-VL142
E	Z52 for 42	FC-MI352



MIRAGE 9s
XENON 9s

		MIRAGE	XENON
A	170 mm	FC-MI810	FC-XE800
	172,5 mm	FC-MI812	
	175 mm	FC-MI814	FC-XE804
B	170 mm	FC-MI811	FC-XE801
	172,5 mm	FC-MI813	
	175 mm	FC-MI815	FC-XE805
C	Z39	FC-MI139	FC-MI139
	Z42	FC-MI142	
D	Z52 for 39		FC-XE052
	Z52 for 42	FC-MI352	
	Z53 for 39	FC-MI153	



CRANKSET

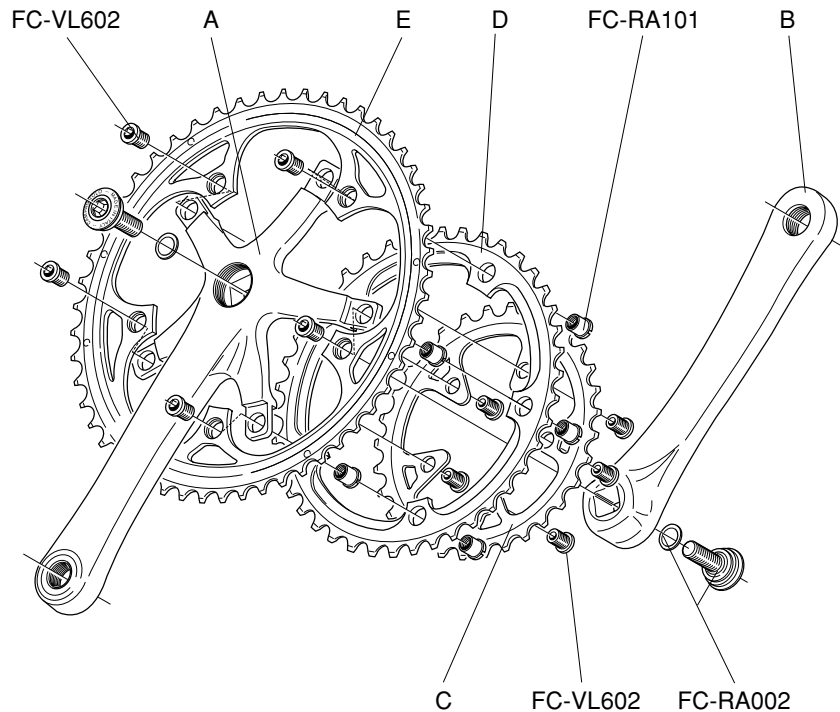
MIRAGE TRIPLE 9s

FC02-MI....

XENON TRIPLE 9s

FC02-XE....

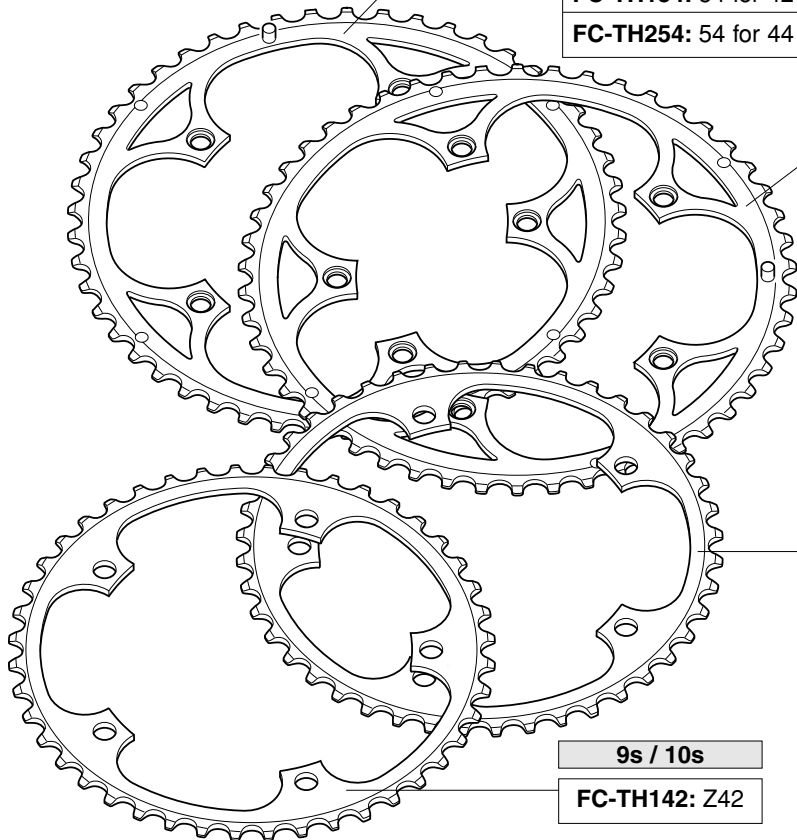
		MIRAGE	XENON
A	170 mm	FC-MI816	FC-XE806
	175 mm	FC-MI818	FC-XE808
B	170 mm	FC-MI817	FC-XE807
	175 mm	FC-MI819	FC-XE809
C	Z30	FC-MI030	FC-MI030
D	Z42 for 30	FC-VL142	FC-XE142
E	Z52 for 42	FC-MI352	FC-XE252



**CHRONO /
TRIATHLON
CHAINRINGS**

9s	RECORD 10s	CHORUS 10s
FC-TH155: 55 for 42	FC-RETH155: 55 for 42	FC-CHTH155: 55 for 42
FC-TH255: 55 for 44	FC-RETH255: 55 for 44	FC-CHTH255: 55 for 44

9s	RECORD 10s	CHORUS 10s
FC-TH154: 54 for 42	FC-RETH154: 54 for 42	FC-CHTH154: 54 for 42
FC-TH254: 54 for 44	FC-RETH254: 54 for 44	FC-CHTH254: 54 for 44



9s / 10s
FC-TH144: Z44

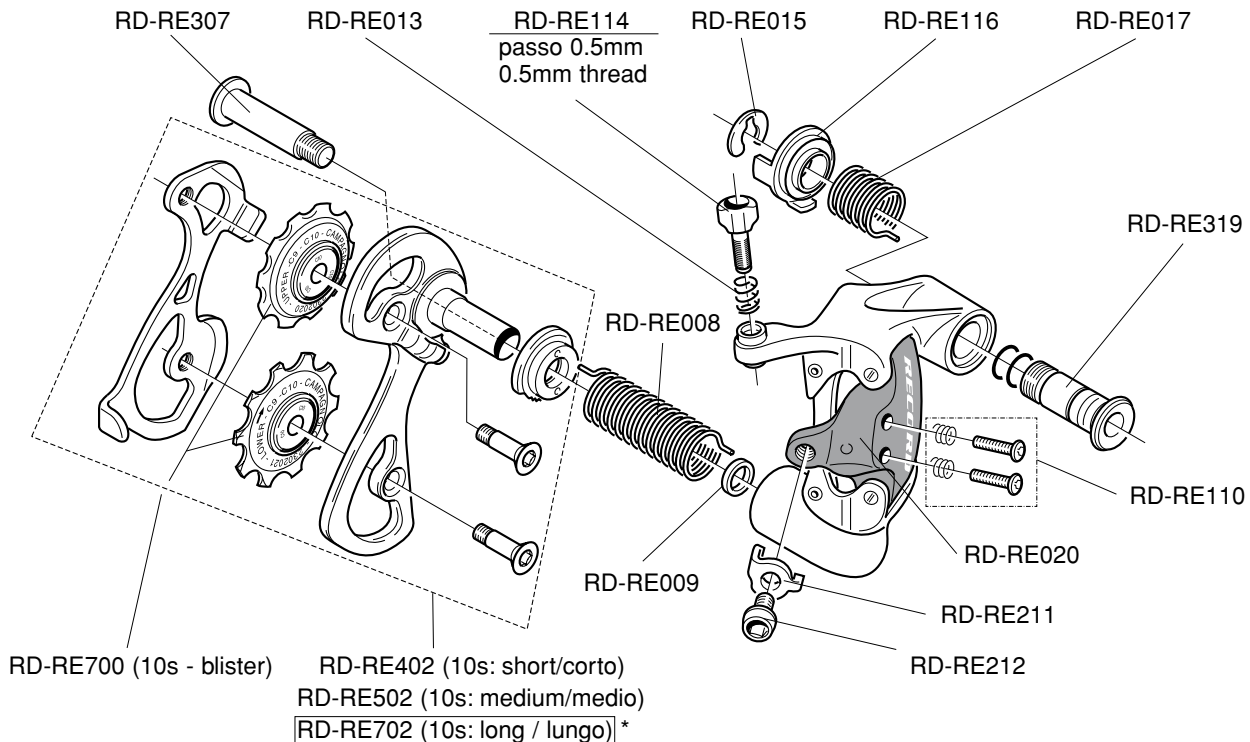
9s / 10s
FC-TH142: Z42

RECORD 10s

RD00-RE210

RD00-RE210L

RD00-RE210LL

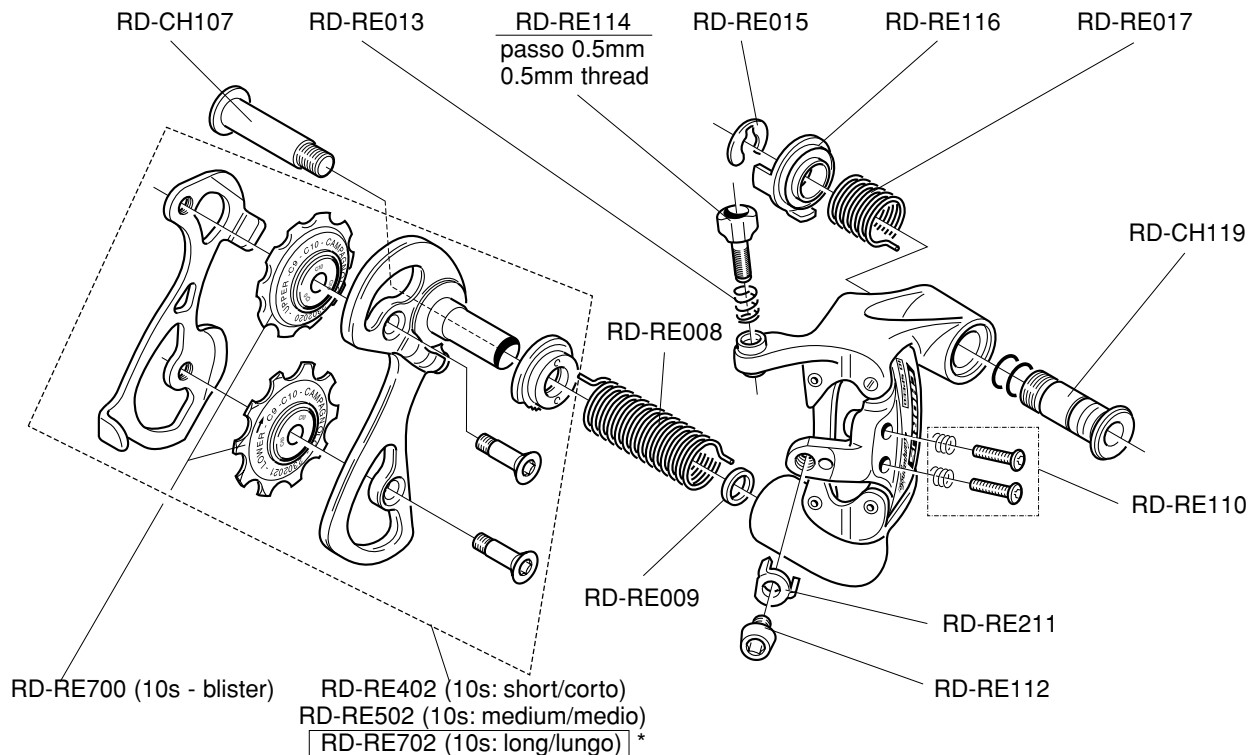


* solo per **RD02-RE210LL** - non compatibile con RD00-RE210 e RD00-RE210L

* only for **RD02-RE210LL** - not compatible with RD00-RE210 and RD00-RE210L

CHORUS 10s

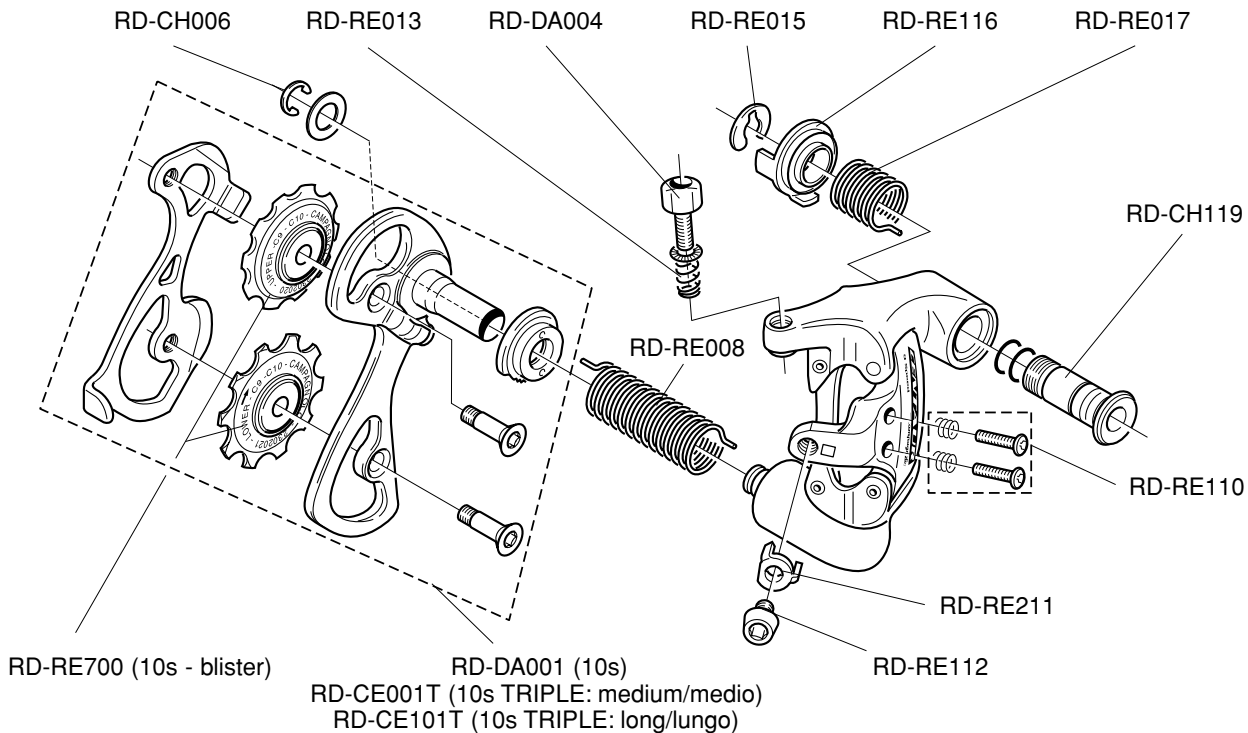
RD00-CH210
RD00-CH210L
RD03-CH210LL



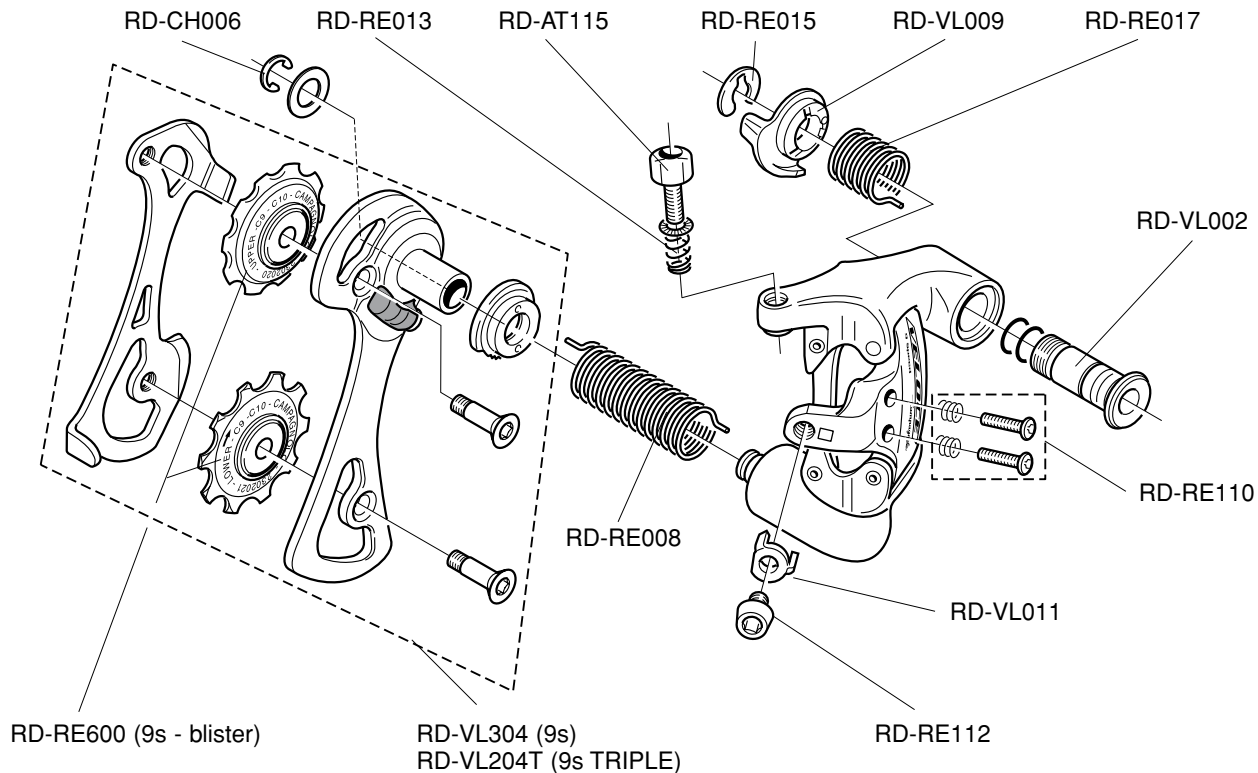
* solo per RD03-CH210LL - non compatibile con RD00-CH210 e RD00-CH210L

* only for RD03-CH210LL - not compatible with RD00-CH210 and RD00-CH210L

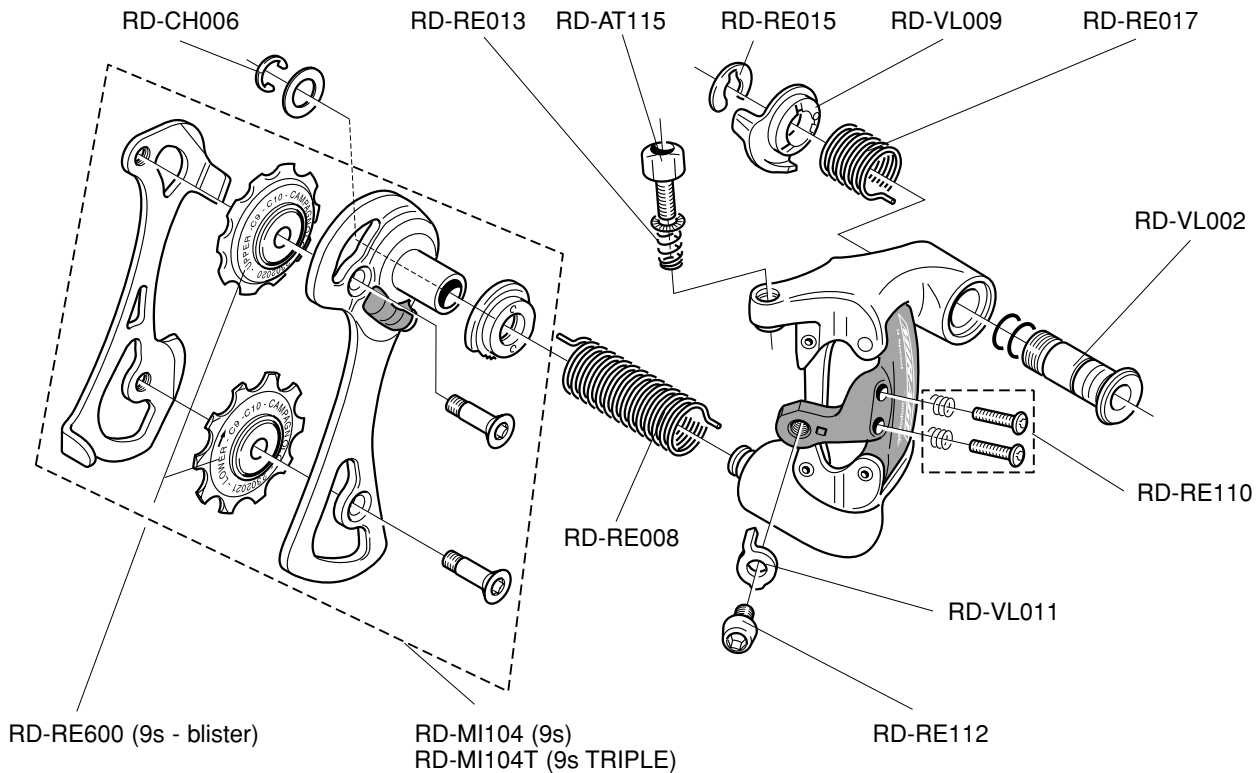
CENTAUR 10s
RD02-CE210
CENTAUR TRIPLE 10s
RD03-CE310



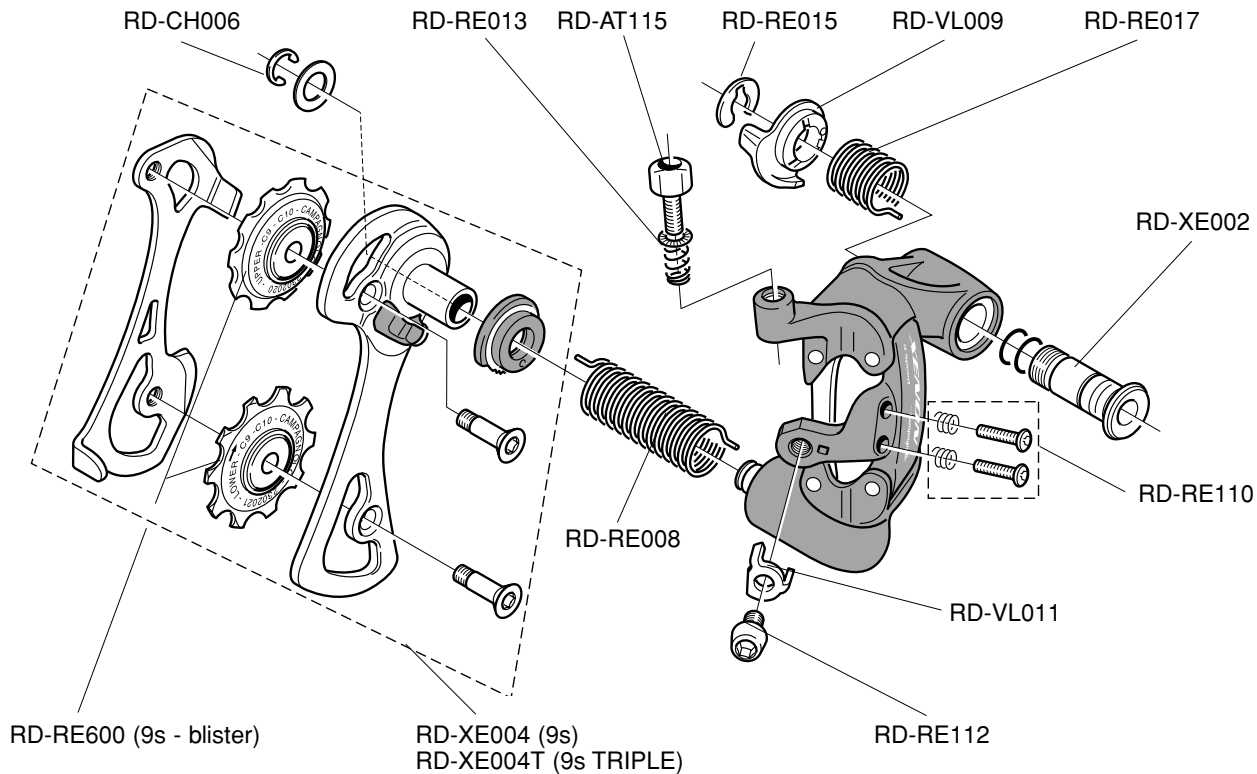
VELOCE 9s
RD02-VL209
VELOCE TRIPLE 9s
RD02-VL309



MIRAGE 9s
RD02-MI209
MIRAGE TRIPLE 9s
RD02-MI309



XENON 9s
RD02-XE209
XENON TRIPLE 9s
RD02-XE309



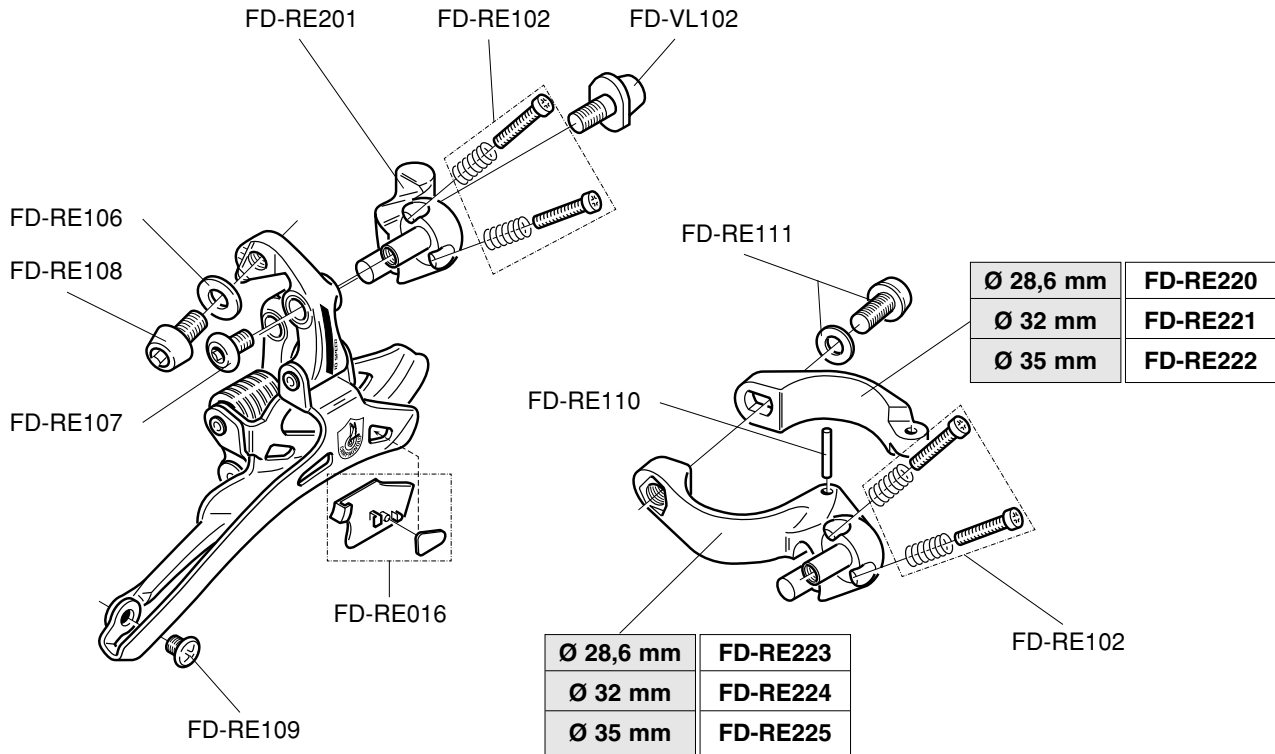
RECORD 10s

FD00-RE2...

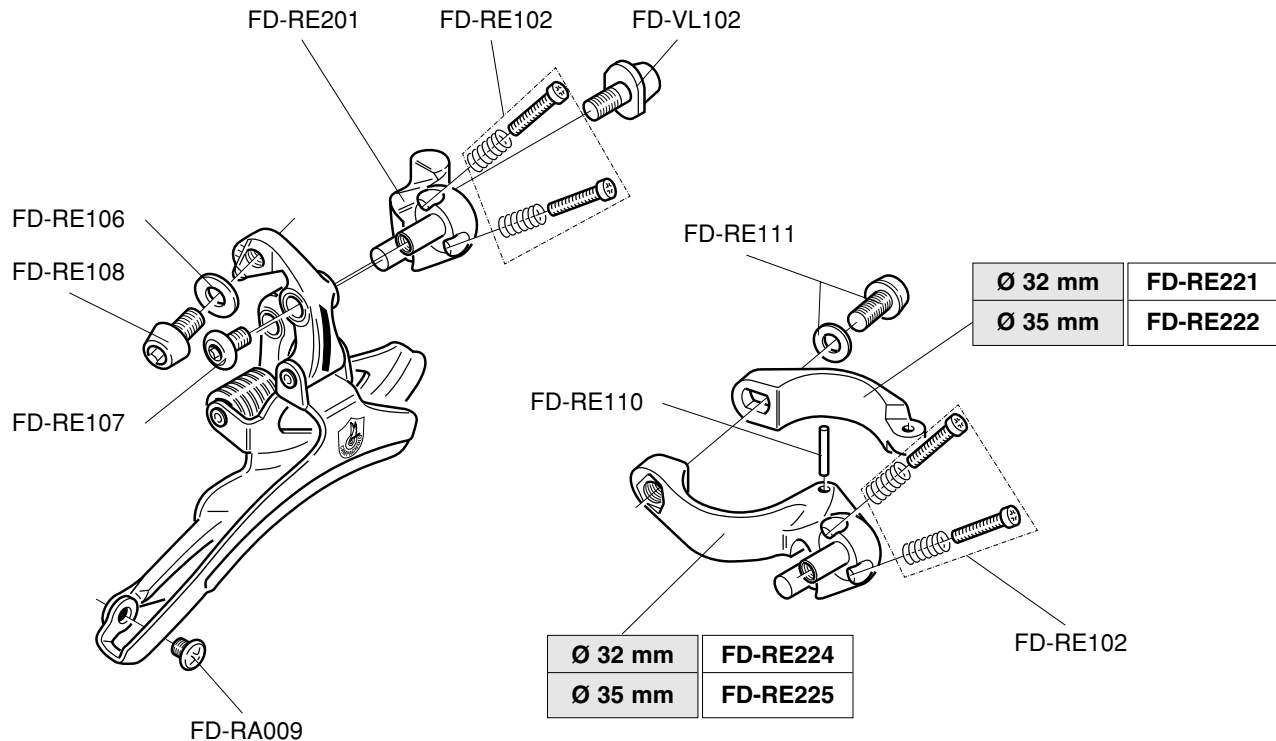
CHORUS 10s

FD00-RE2...

9s compatible

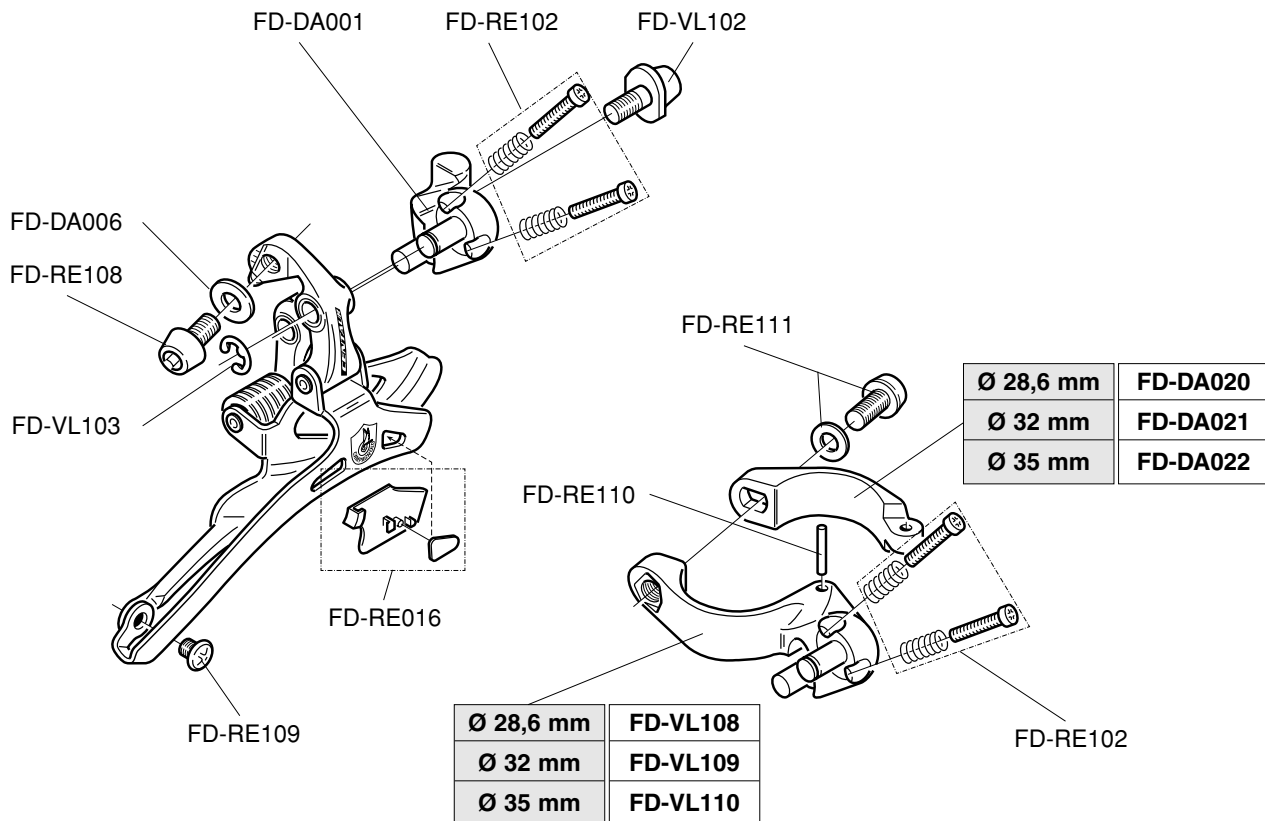


RECORD TRIPLE 10s
FD02-RE3...



CENTAUR 10s
FD02-CE2...

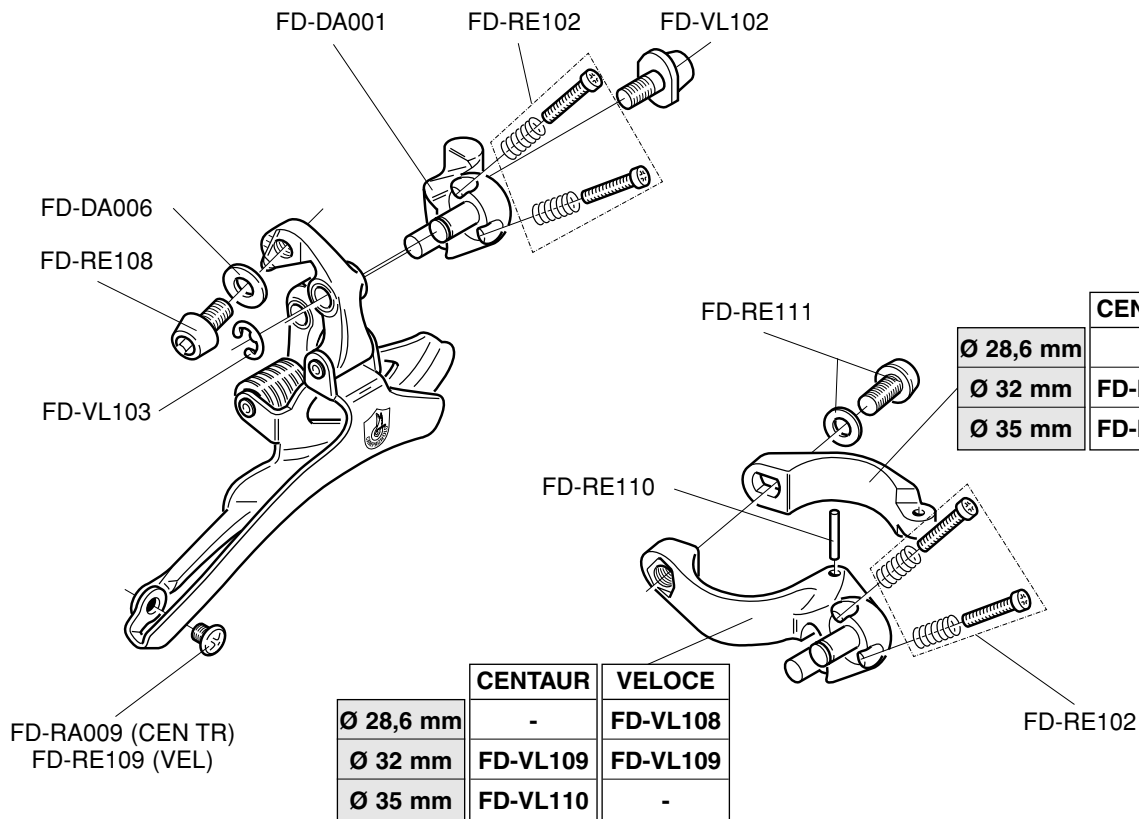
9s compatible



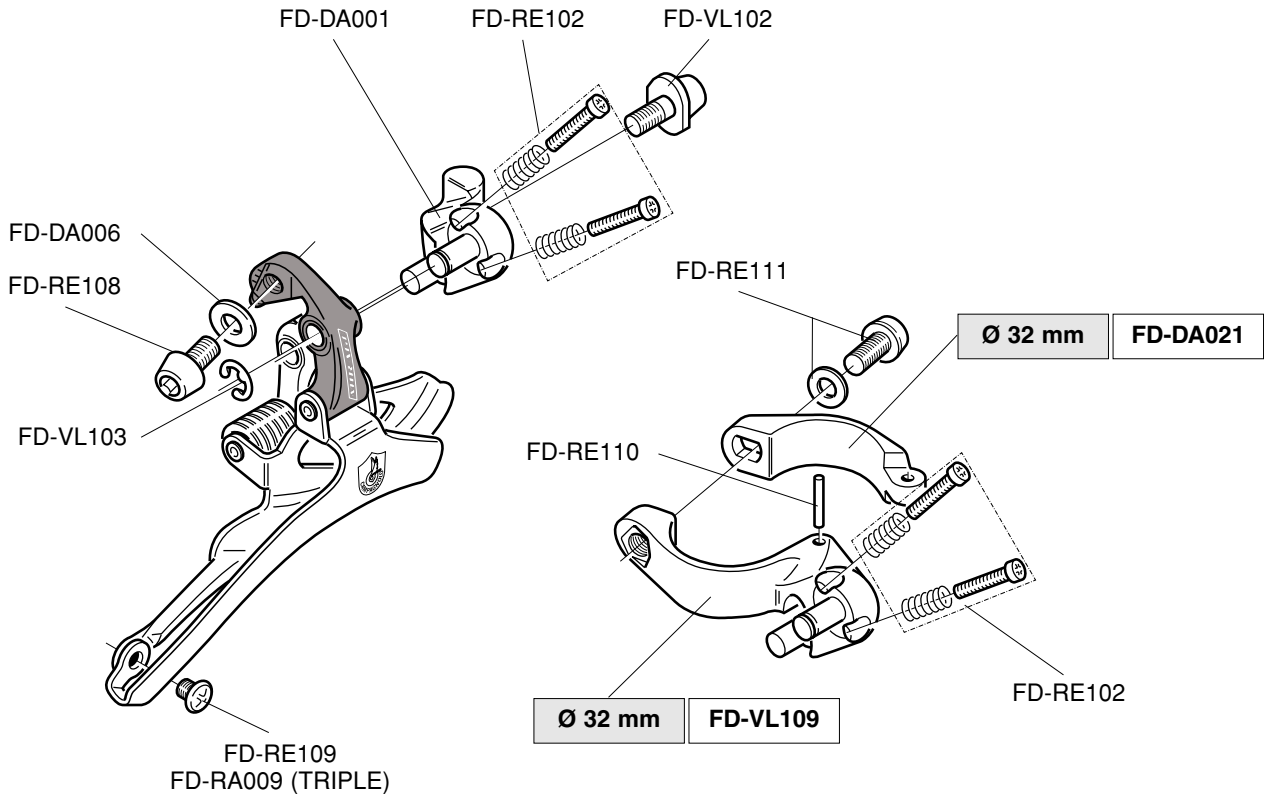
CENTAUR TRIPLE 10s

FD03-CE3...
VELOCE 9s
 FD01-VL2...

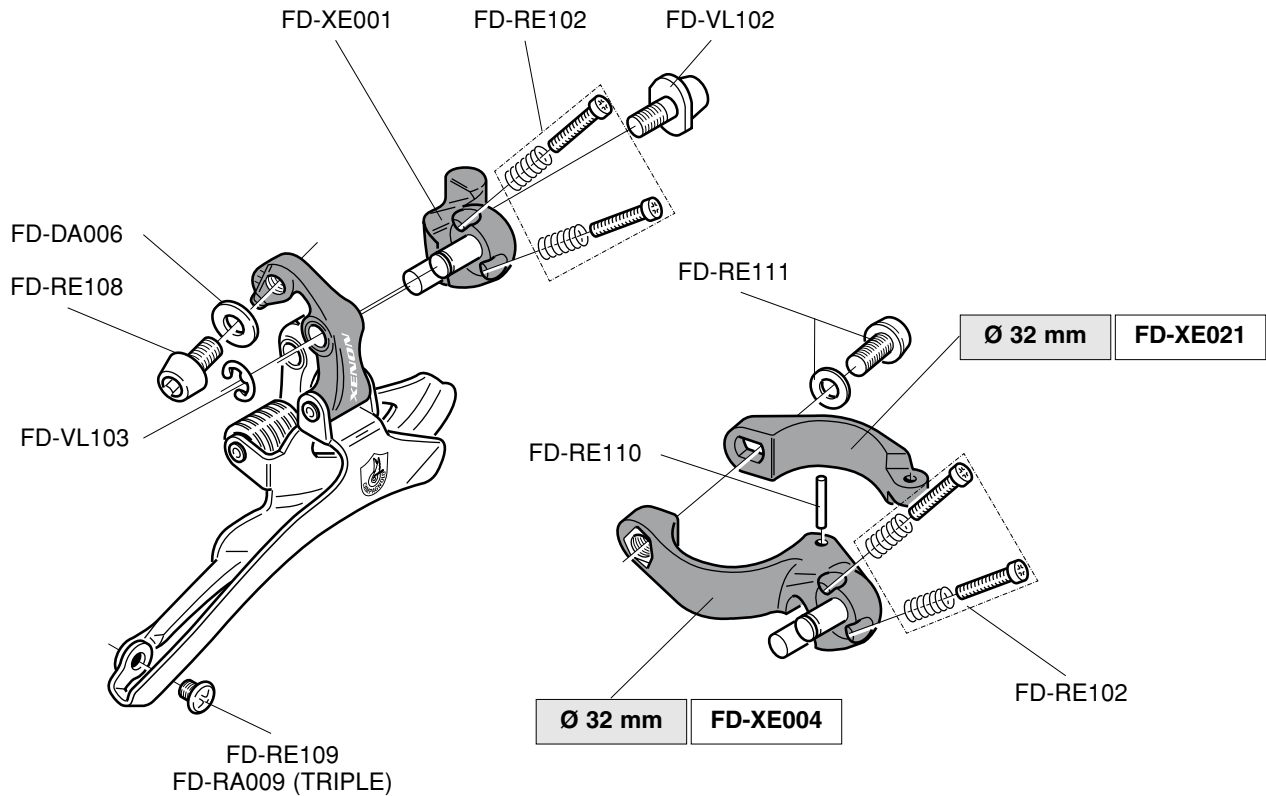
9s compatible



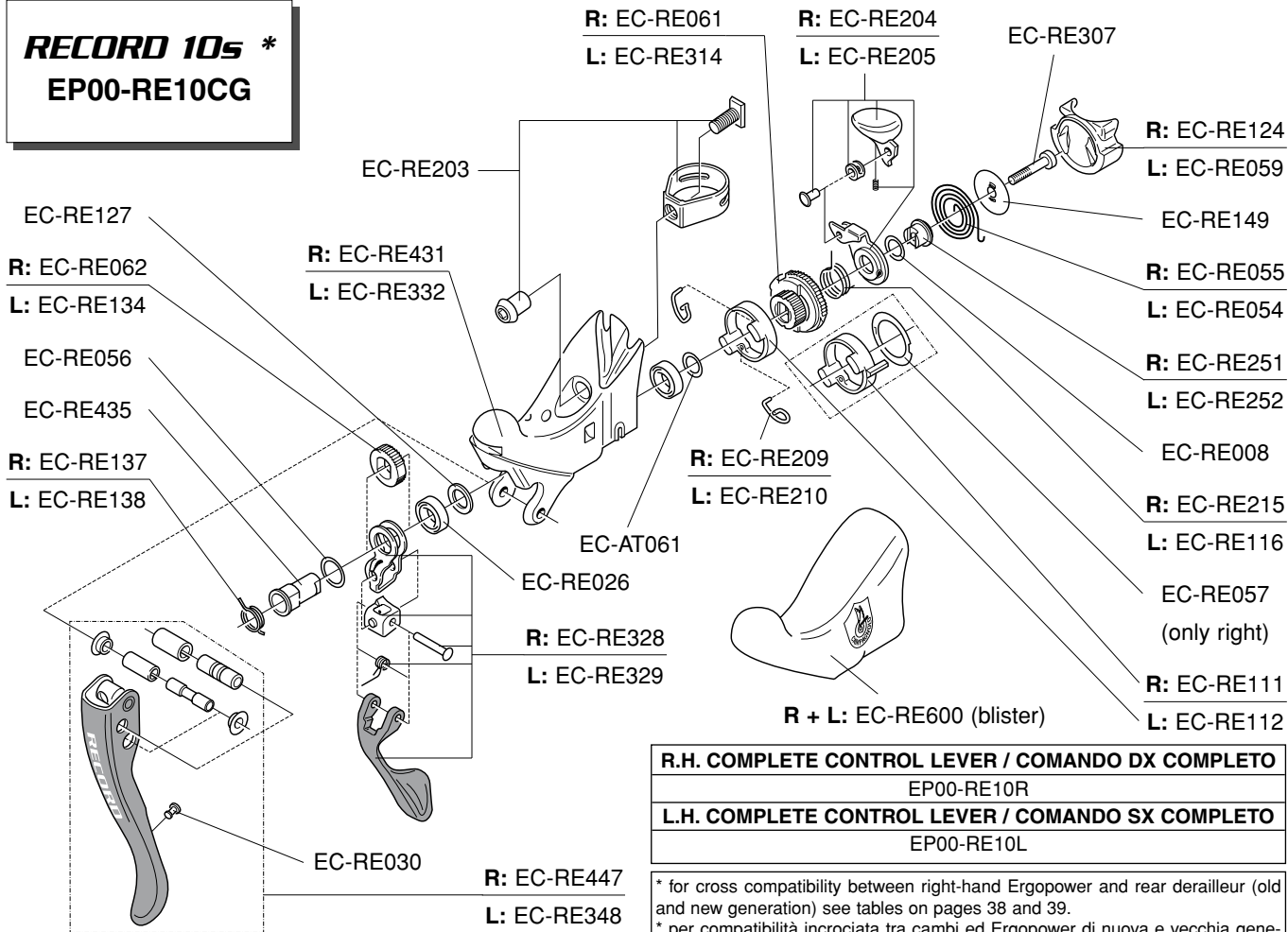
MIRAGE 9s
FD01-MI2...
MIRAGE TRIPLE 9s
FD01-MI3...



XENON 9s
FD02-XE2...
XENON TRIPLE 9s
FD02-XE3...



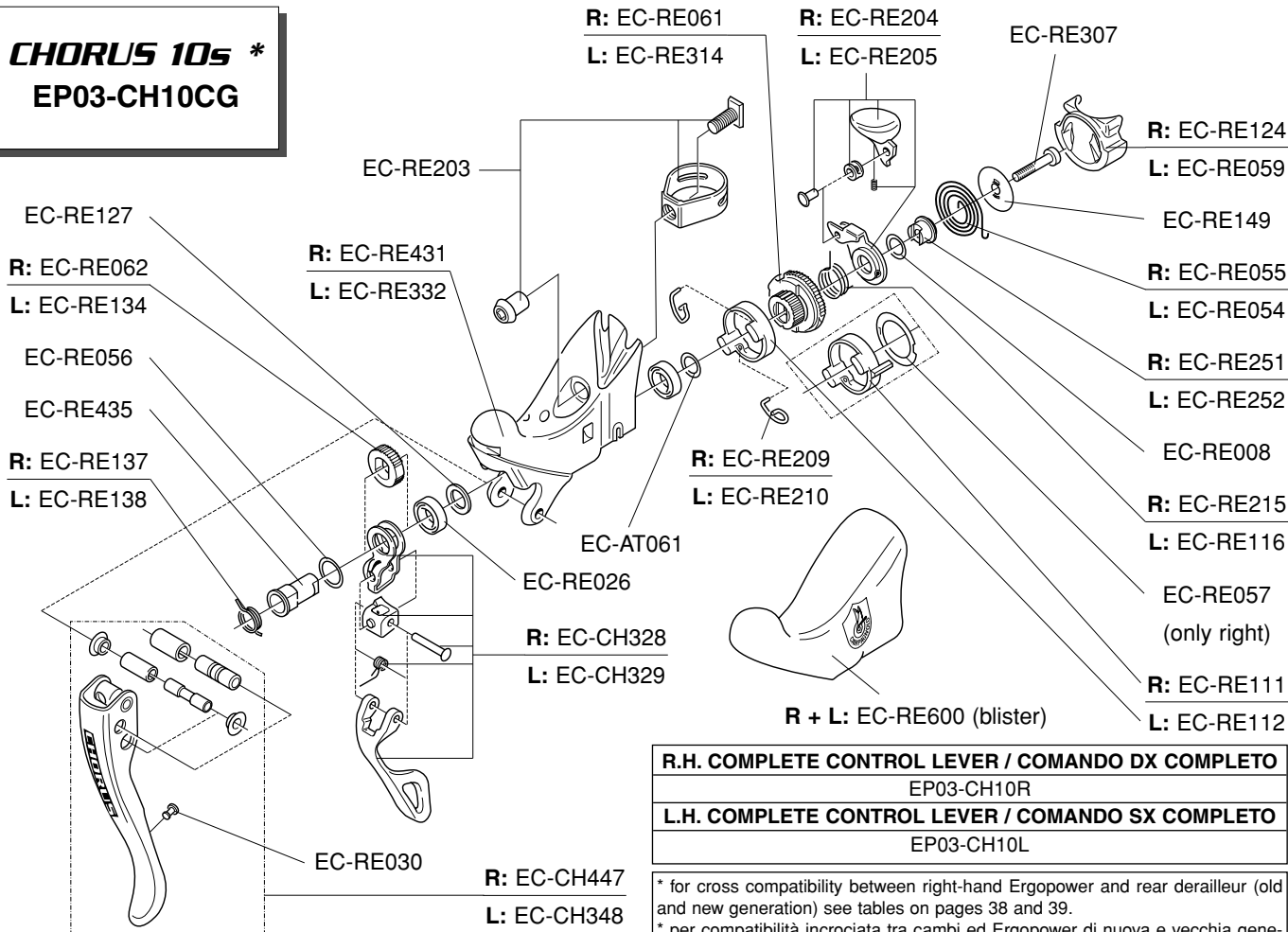
RECORD 10s *
EP00-RE10CG



R.H. COMPLETE CONTROL LEVER / COMANDO DX COMPLETO
EP00-RE10R
L.H. COMPLETE CONTROL LEVER / COMANDO SX COMPLETO
EP00-RE10L

* for cross compatibility between right-hand Ergopower and rear derailleur (old and new generation) see tables on pages 38 and 39.
* per compatibilità incrociata tra cambi ed Ergopower di nuova e vecchia generazione vedi tabelle alle pagg. 38 e 39.

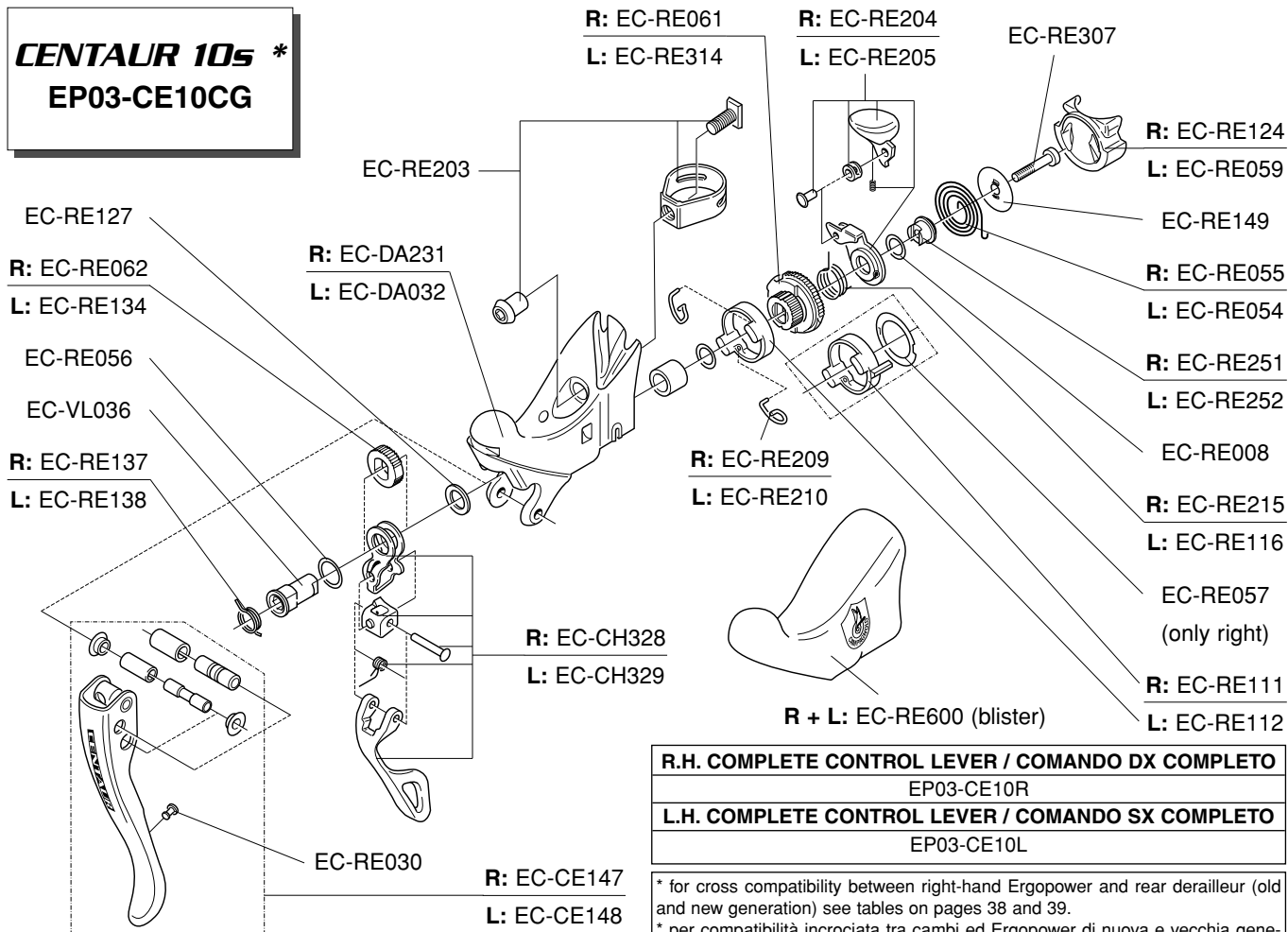
CHORUS 10s *
EP03-CH10CG



R.H. COMPLETE CONTROL LEVER / COMANDO DX COMPLETO
EP03-CH10R
L.H. COMPLETE CONTROL LEVER / COMANDO SX COMPLETO
EP03-CH10L

* for cross compatibility between right-hand Ergopower and rear derailleur (old and new generation) see tables on pages 38 and 39.
 * per compatibilità incrociata tra cambi ed Ergopower di nuova e vecchia generazione vedi tabelle alle pagg. 38 e 39.

CENTAUR 10s *
EP03-CE10CG



R.H. COMPLETE CONTROL LEVER / COMANDO DX COMPLETO

EP03-CE10R

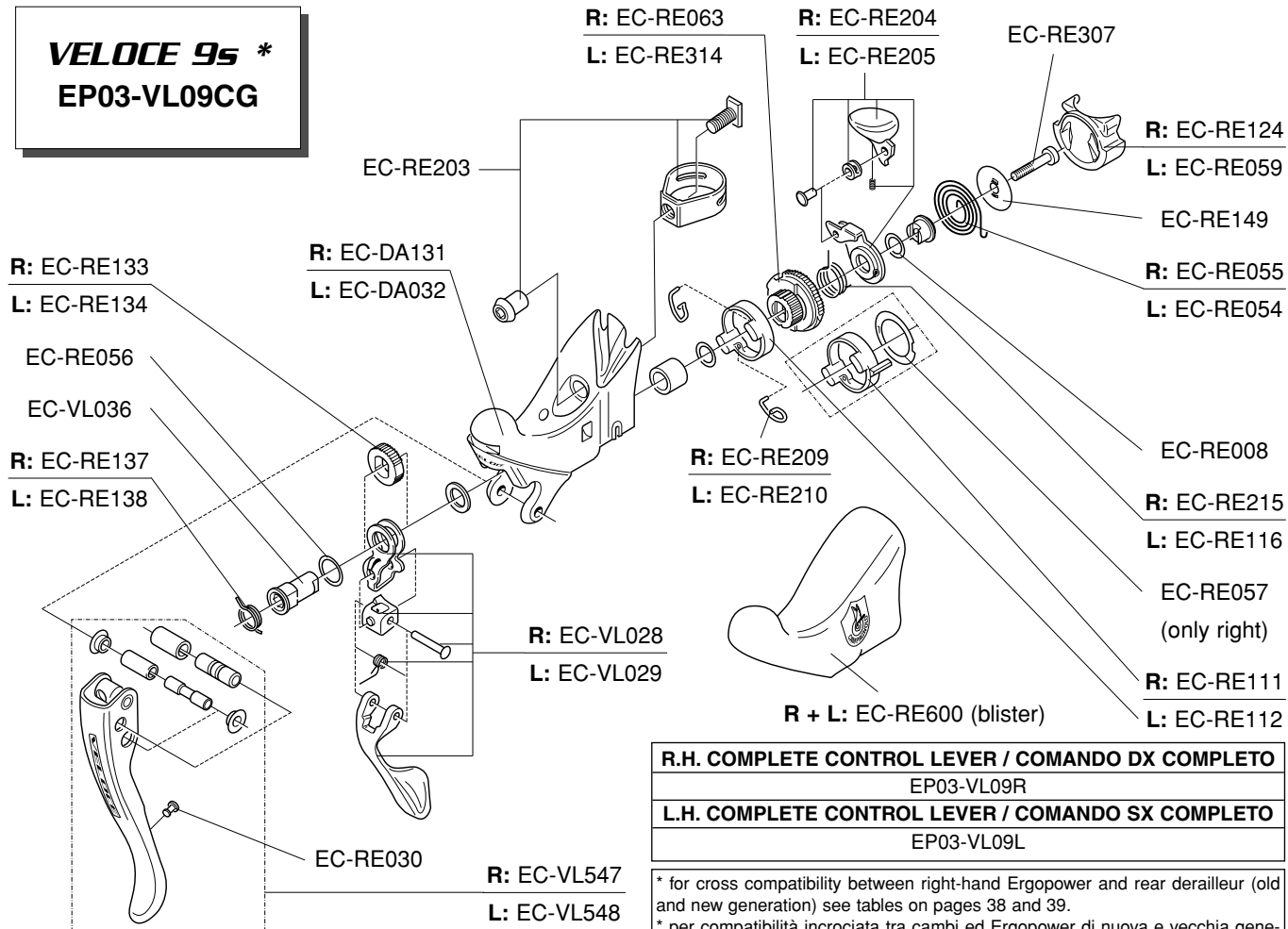
L.H. COMPLETE CONTROL LEVER / COMANDO SX COMPLETO

EP03-CE10L

* for cross compatibility between right-hand Ergopower and rear derailleur (old and new generation) see tables on pages 38 and 39.

* per compatibilità incrociata tra cambi ed Ergopower di nuova e vecchia generazione vedi tabelle alle pagg. 38 e 39.

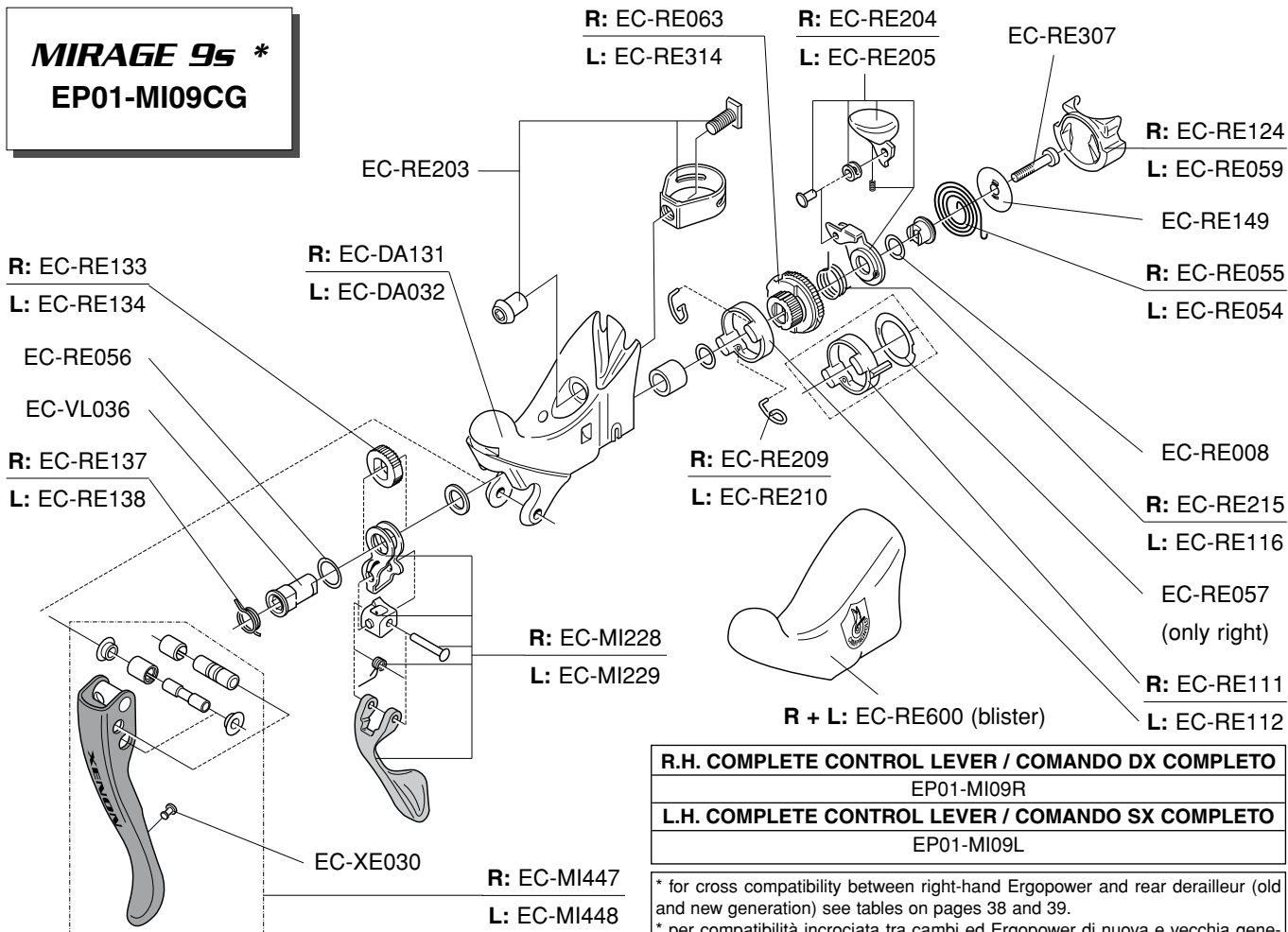
VELOCE 9s *
EP03-VL09CG



R.H. COMPLETE CONTROL LEVER / COMANDO DX COMPLETO
EP03-VL09R
L.H. COMPLETE CONTROL LEVER / COMANDO SX COMPLETO
EP03-VL09L

* for cross compatibility between right-hand Ergopower and rear derailleur (old and new generation) see tables on pages 38 and 39.
* per compatibilità incrociata tra cambi ed Ergopower di nuova e vecchia generazione vedi tabelle alle pagg. 38 e 39.

MIRAGE 9s *
EP01-MI09CG



R.H. COMPLETE CONTROL LEVER / COMANDO DX COMPLETO

EP01-MI09R

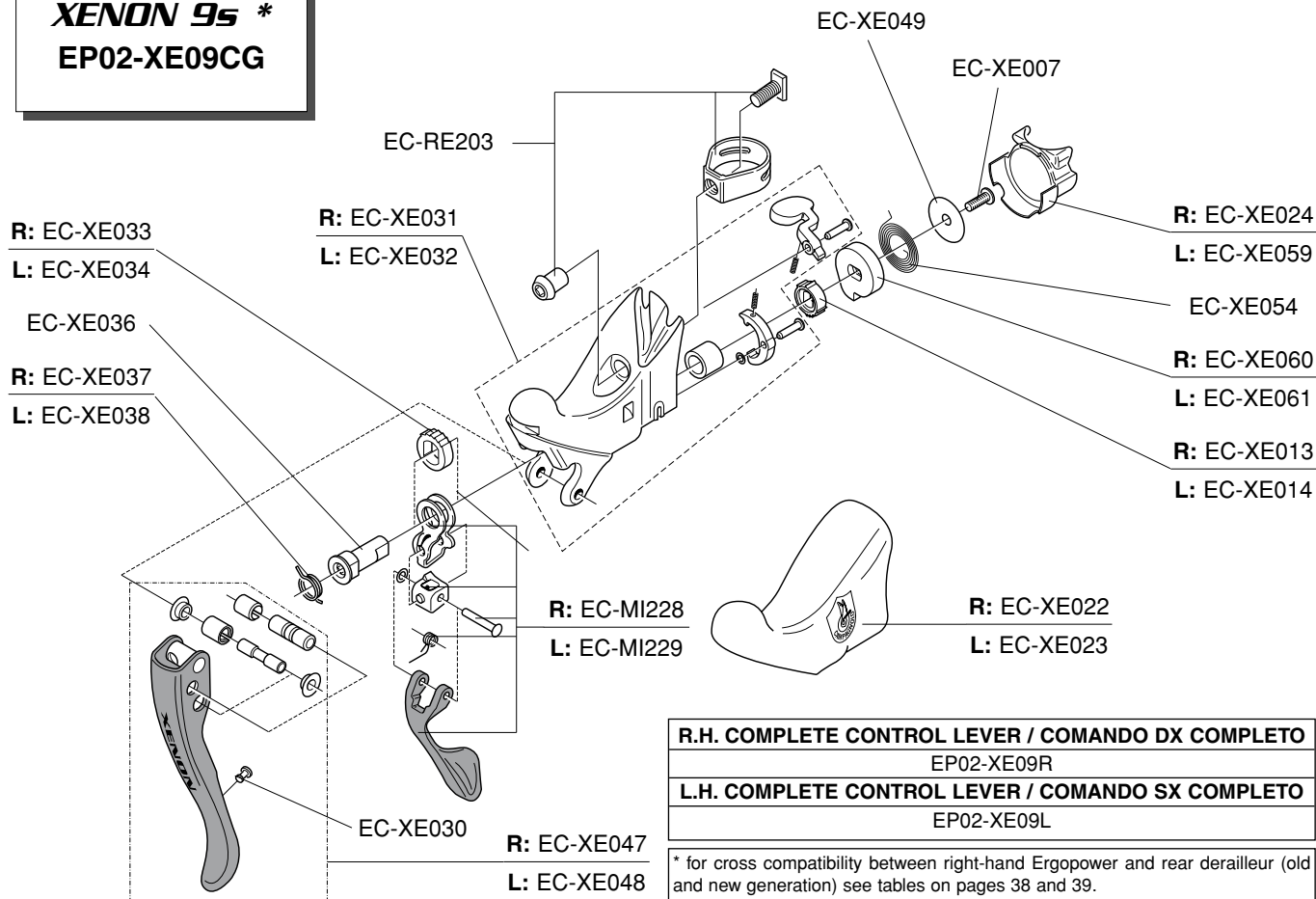
L.H. COMPLETE CONTROL LEVER / COMANDO SX COMPLETO

EP01-MI09L

* for cross compatibility between right-hand Ergopower and rear derailleur (old and new generation) see tables on pages 38 and 39.

* per compatibilità incrociata tra cambi ed Ergopower di nuova e vecchia generazione vedi tabelle alle pagg. 38 e 39.

XENON 9s *
EP02-XE09CG




R.H. COMPLETE CONTROL LEVER / COMANDO DX COMPLETO
EP02-XE09R
L.H. COMPLETE CONTROL LEVER / COMANDO SX COMPLETO
EP02-XE09L

* for cross compatibility between right-hand Ergopower and rear derailleur (old and new generation) see tables on pages 38 and 39.
 * per compatibilità incrociata tra cambi ed Ergopower di nuova e vecchia generazione vedi tabelle alle pagg. 38 e 39.

CROSS COMPATIBILITY BETWEEN RIGHT-HAND ERGOPOWERS AND REAR DERAILLEURS (old and new generation)

COMPATIBILITÀ INCROCIATA TRA ERGOPOWER DX E CAMBI (nuova e vecchia generazione)

ERGOPOWER

SPEED VELOCITÀ	YEAR ANNO	FEATURES CARATTERISTICHE		
8s	< 1998	“old style” (pointed) body / corpo a punta		OLD STYLE
9s	1997	“old style” (pointed) body / corpo a punta		
9s	1998	“new style” (rounded) body / corpo arrotondato		
9s	1999-2000	“new style” (rounded) body, ErgoBrain computer ready / corpo arrotondato, predisposizione ErgoBrain (pulsantino sul coprisupporto)		NEW STYLE
9s	2001-2002	“9 speed” mark, “new style” (rounded) body, ErgoBrain computer ready / logo “9 speed” sul corpo, corpo arrotondato, predisposizione ErgoBrain (pulsantino sul coprisupporto)		
10s	2000-2003	“10 speed” mark, “new style” (rounded) body, ErgoBrain computer ready / logo “10 speed” sul corpo, corpo arrotondato, predisposizione ErgoBrain (pulsantino sul coprisupporto)		

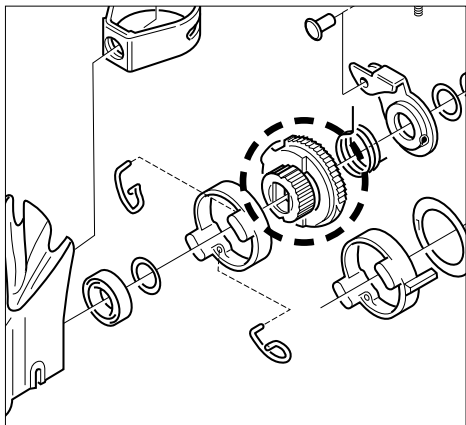
REAR DERAILLEUR / CAMBIO

SPEED VELOCITÀ	YEAR ANNO	FEATURES CARATTERISTICHE
8s	< 1998	adjusting system on the upper body / sistema di registrazione sul corpo superiore
9s	1997-2000	adjusting system on the upper body / sistema di registrazione sul corpo superiore
9s	2001-2003	adjusting system on the lower body / sistema di registrazione sul corpo inferiore



**CROSS COMPATIBILITY BETWEEN RIGHT-HAND ERGOPOWERS AND REAR DERAILLEURS
(old and new generation)**

**COMPATIBILITÀ INCROCIATA TRA ERGOPOWER DX E CAMBI
(nuova e vecchia generazione)**

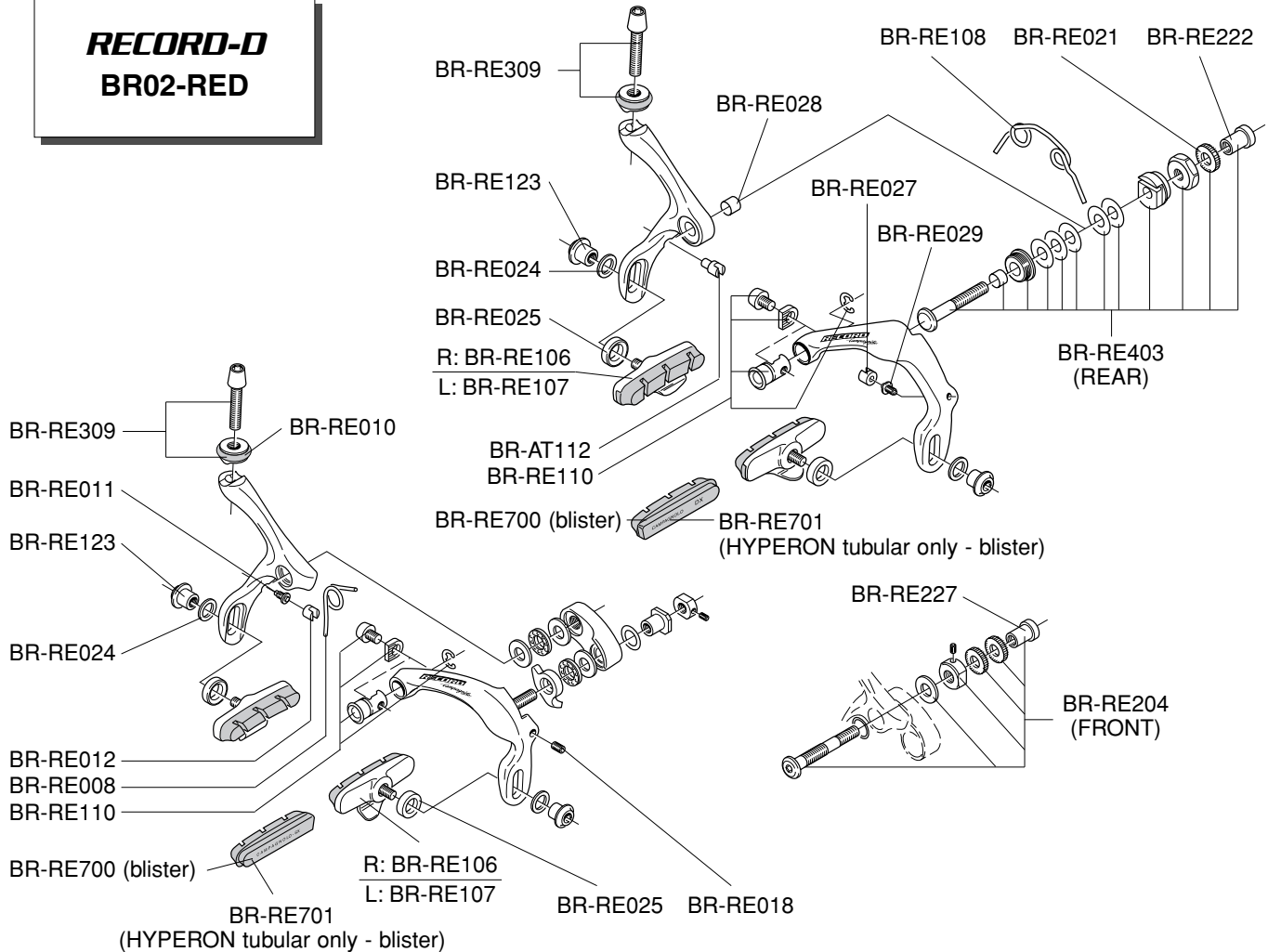


The codes in the table are referring to the indexing ratchet of the right-hand Ergopower (see the figure). To ensure the compatibility between replace the indexing ratchet with the one indicated in the table (referring to the rear derailleur / Ergopower combination).

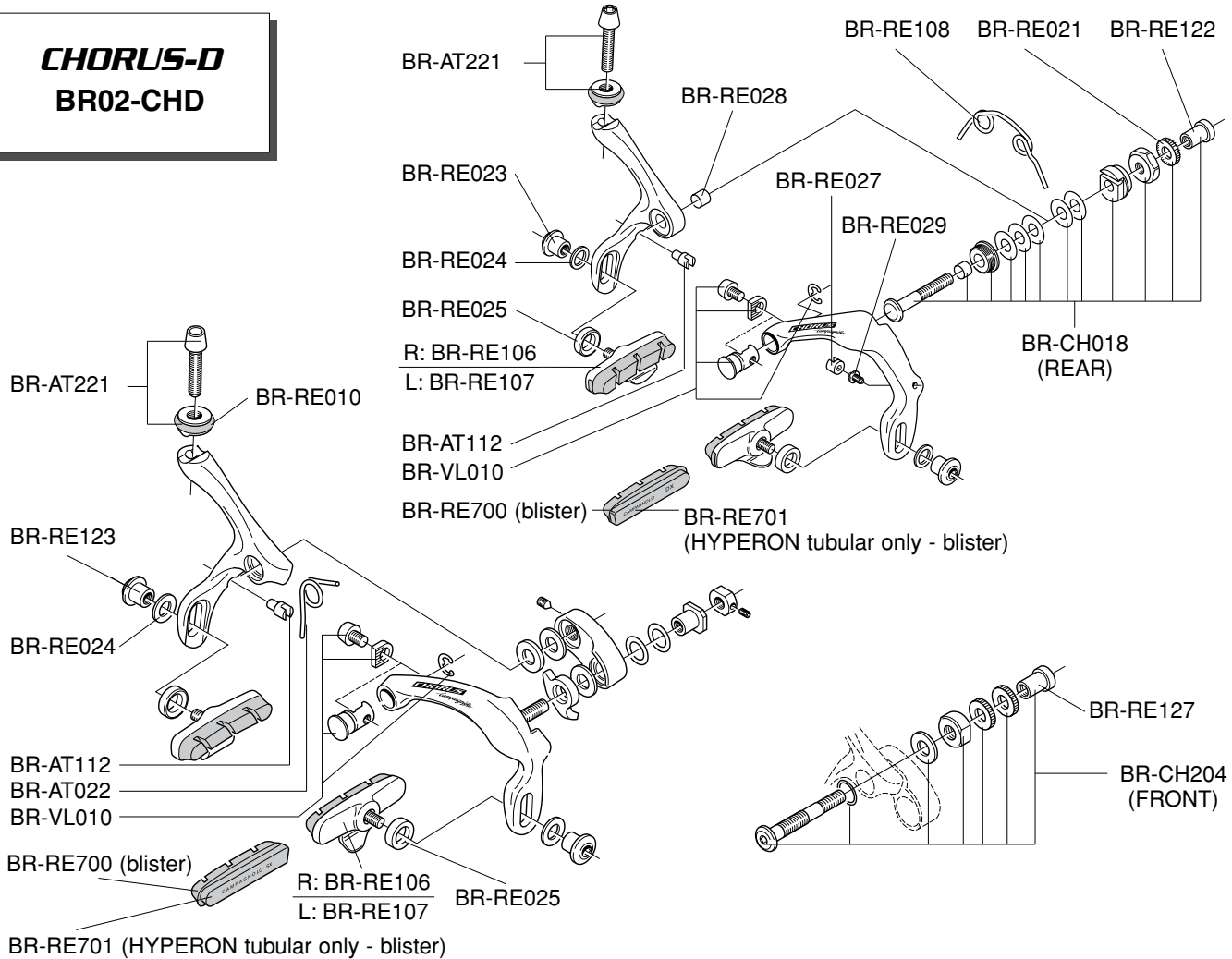
I codici in tabella si riferiscono alla bussola dentata (evidenziata in figura) del comando dx Ergopower: per assicurare la compatibilità tra cambio ed Ergopower destro, va eventualmente sostituita la bussola dentata esistente con quella indicata in tabella (a seconda della combinazione cambio / Ergopower).

	9s 2001-2003 rear derailleur / cambio 9s 2001-2003	9s 1997-2000 rear derailleur / cambio 9s 1997-2000	8s rear derailleur / cambio 8s
Ergopower 8s	OK * (with C9 chain / con catena C9)	OK * (with C9 chain / con catena C9)	OK
Ergopower 9s 1997	EC-RE064	OK	NO
Ergopower 9s 1998	EC-RE064	OK	NO
Ergopower 9s 1999-2000	EC-RE063	OK	EC-RE060
Ergopower 9s 2001-2002	OK	EC-RE313	EC-RE060
Ergopower 10s 2000-2003	EC-RE063	EC-RE313	EC-RE060

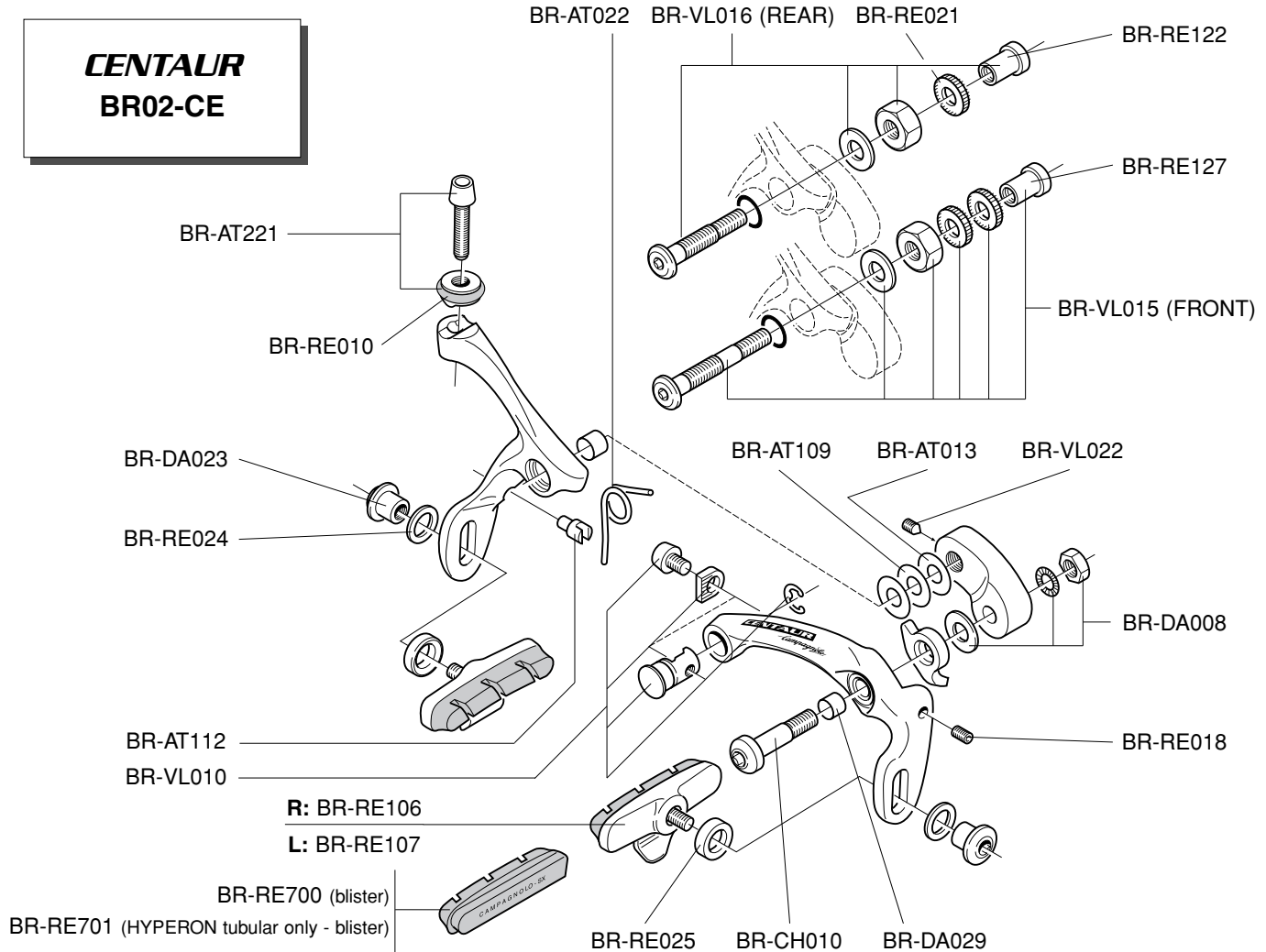
RECORD-D **BR02-RED**



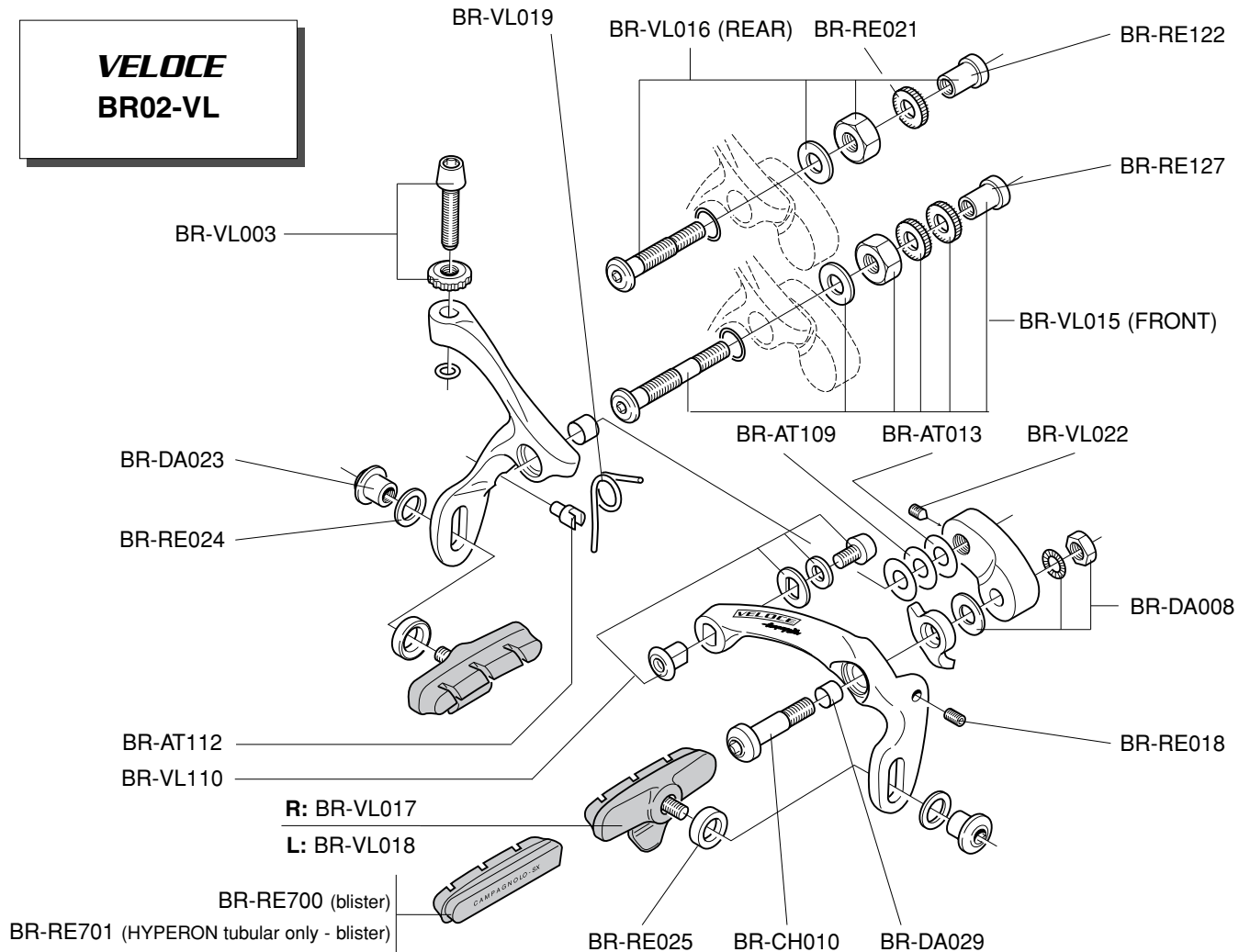
CHORUS-D
BR02-CHD



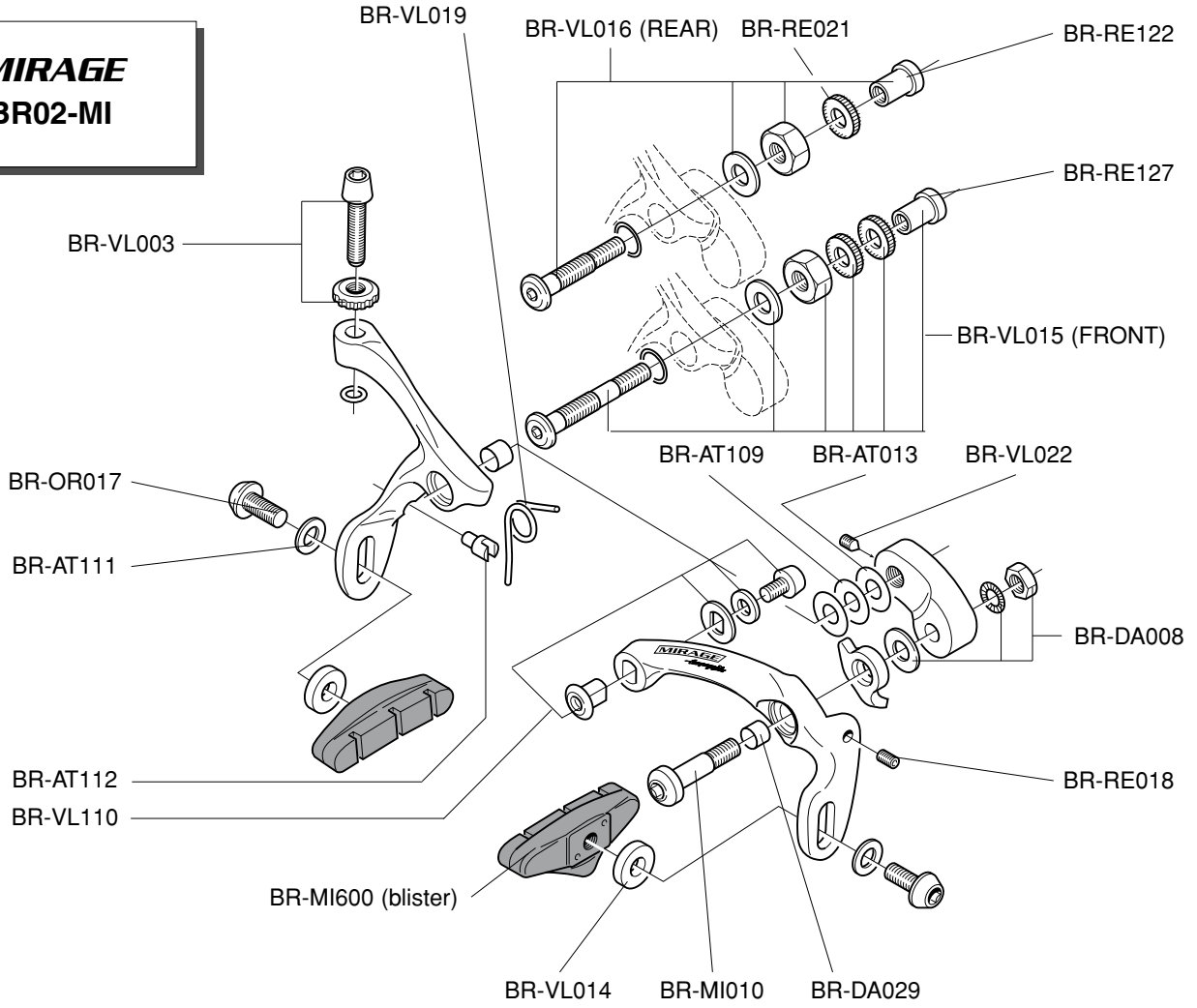
CENTAUR BR02-CE



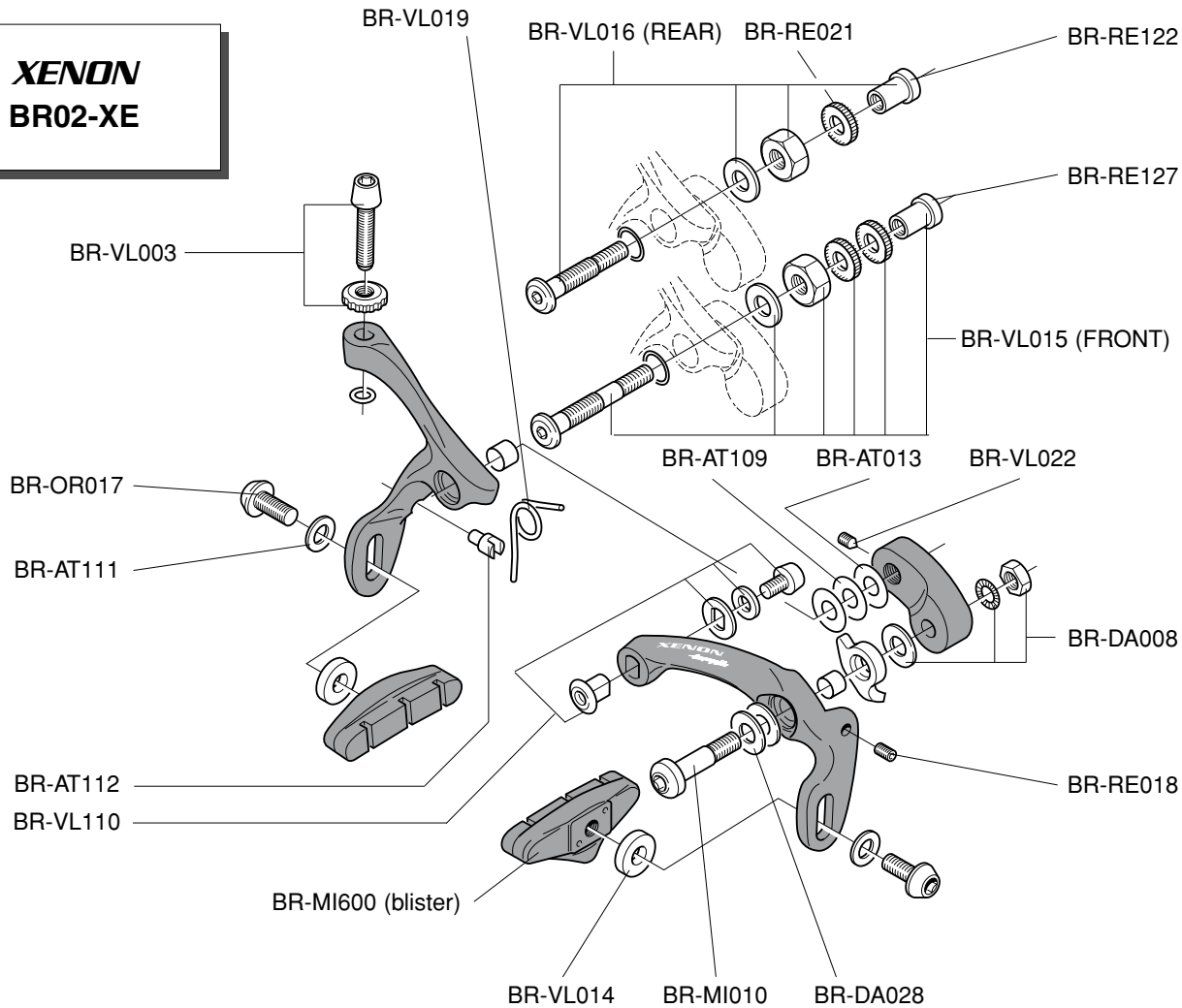
VELOCE
BR02-VL



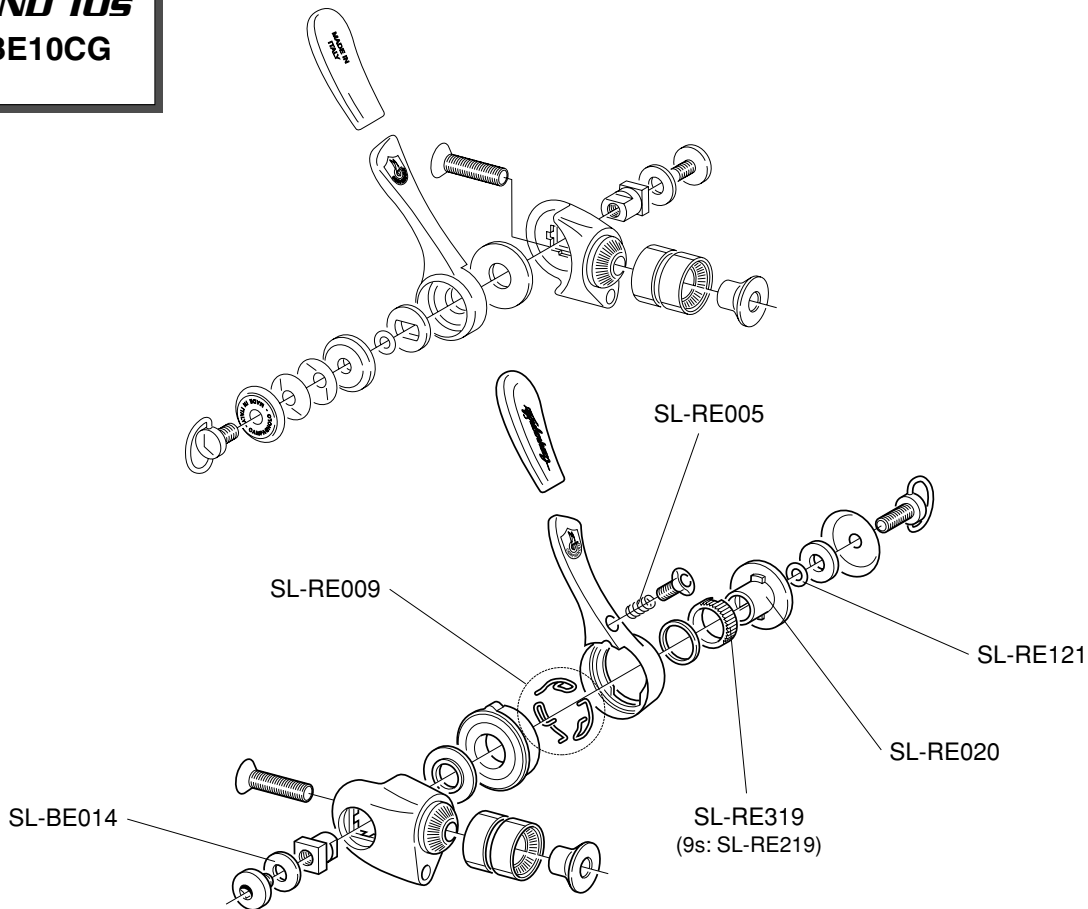
MIRAGE
BR02-MI



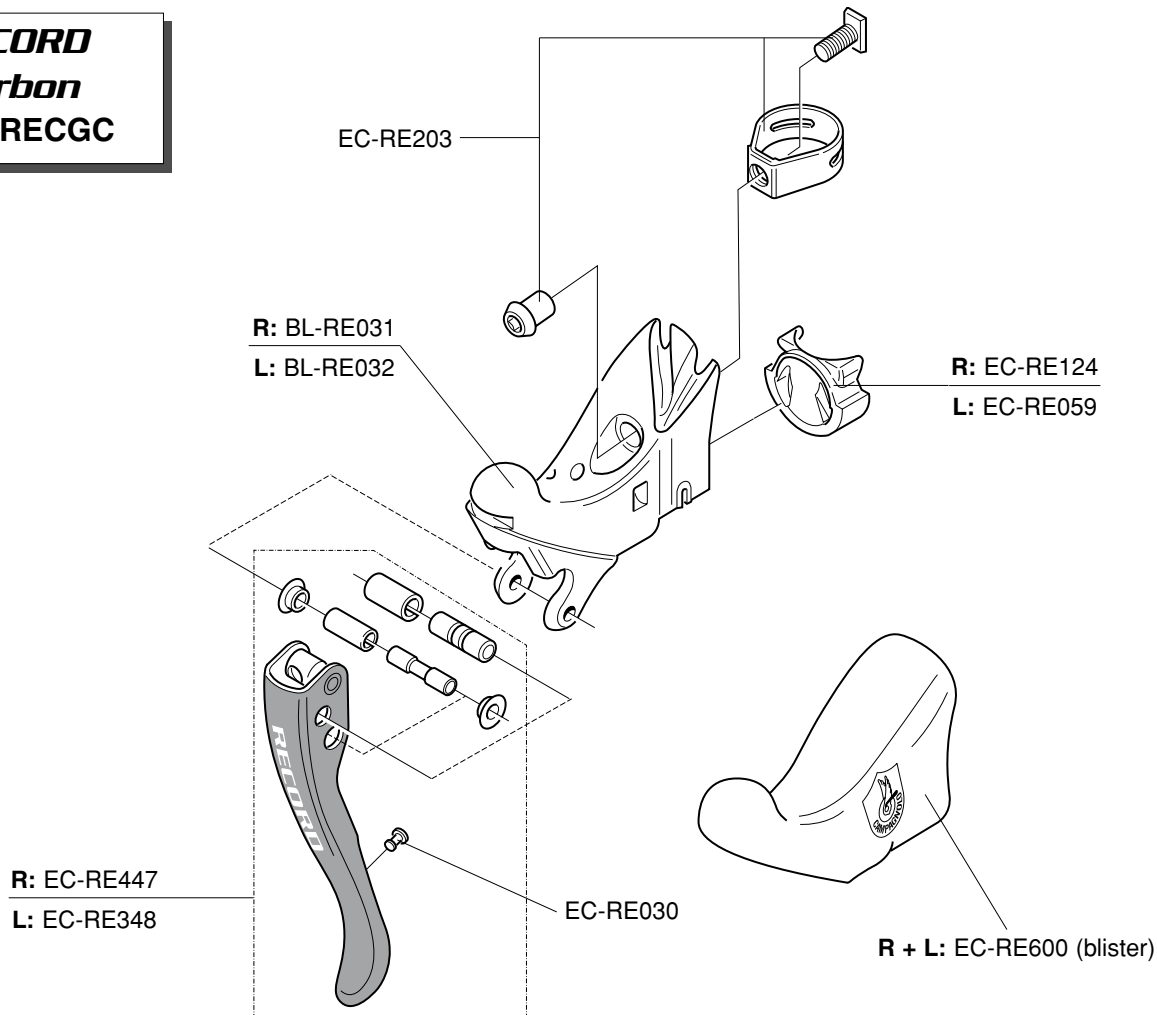
**XENON
BR02-XE**



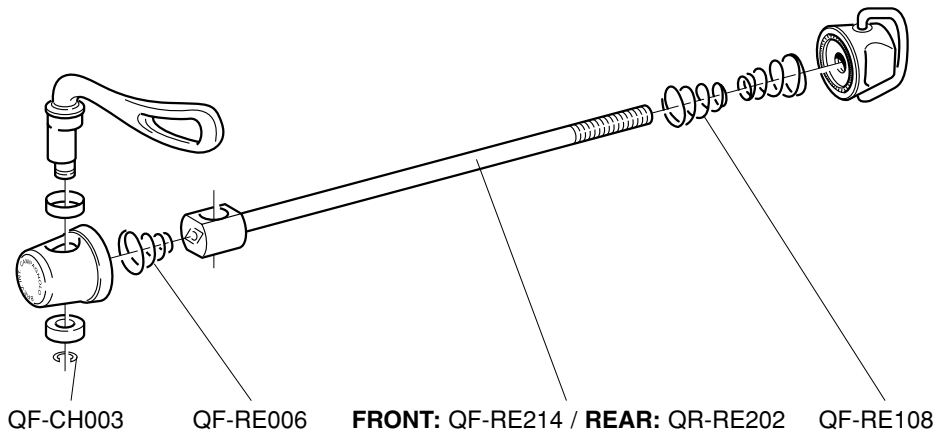
BAR-END 10s
SL00-BE10CG



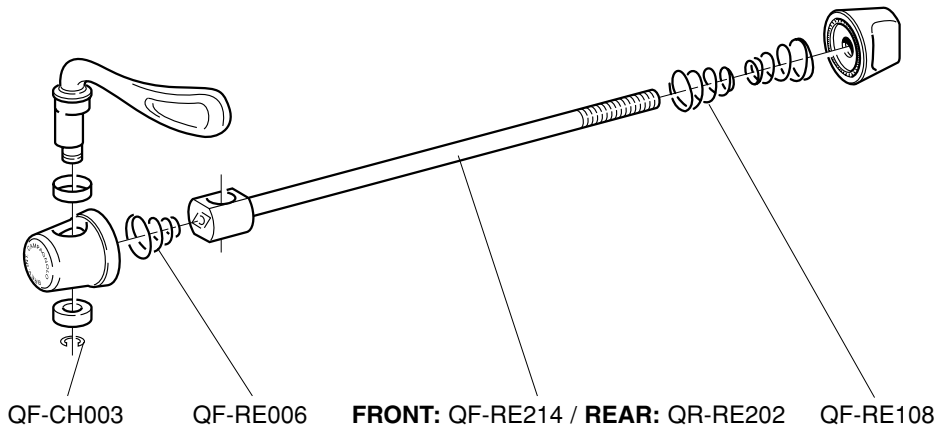
RECORD
Carbon
BL01-RECGC



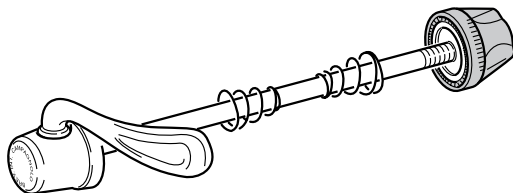
RECORD
BORA - EURUS - GHIBLI
HYPERON - NEUTRON
front: QF-RE121
rear: QR-RE121



CHORUS
front: QF-CH111
rear: QR-CH111

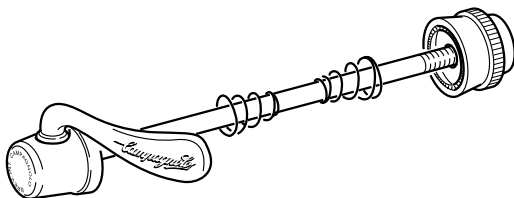


CENTAUR
PROTON - ZONDA



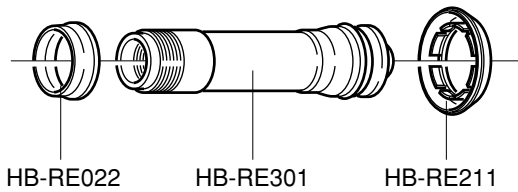
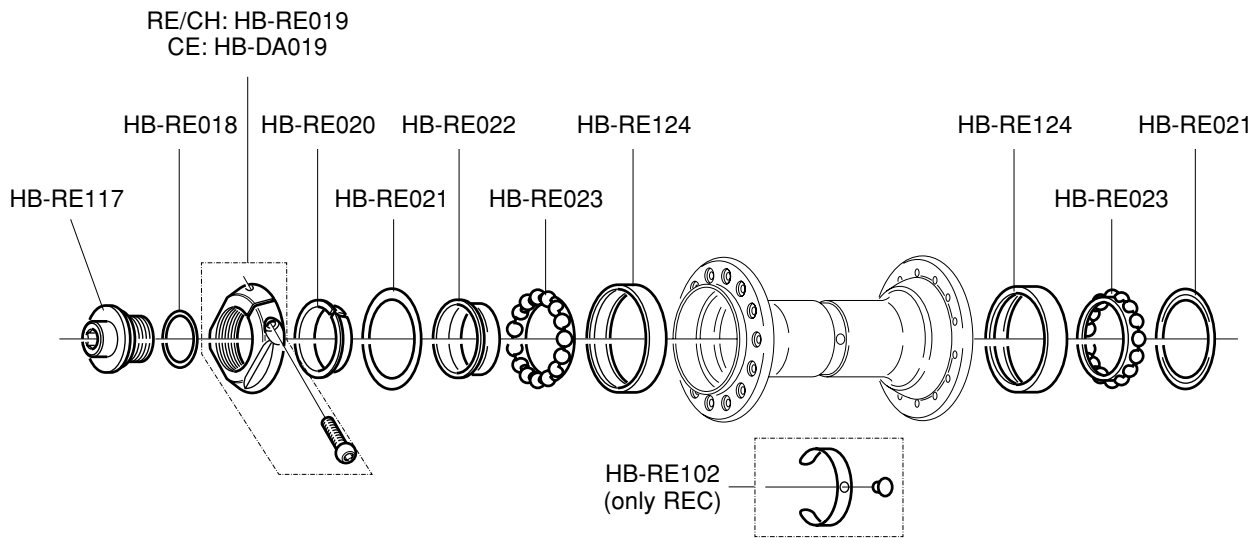
FRONT: QF-AT101
REAR: QR-AT101

VELOCE
SCIROCCO



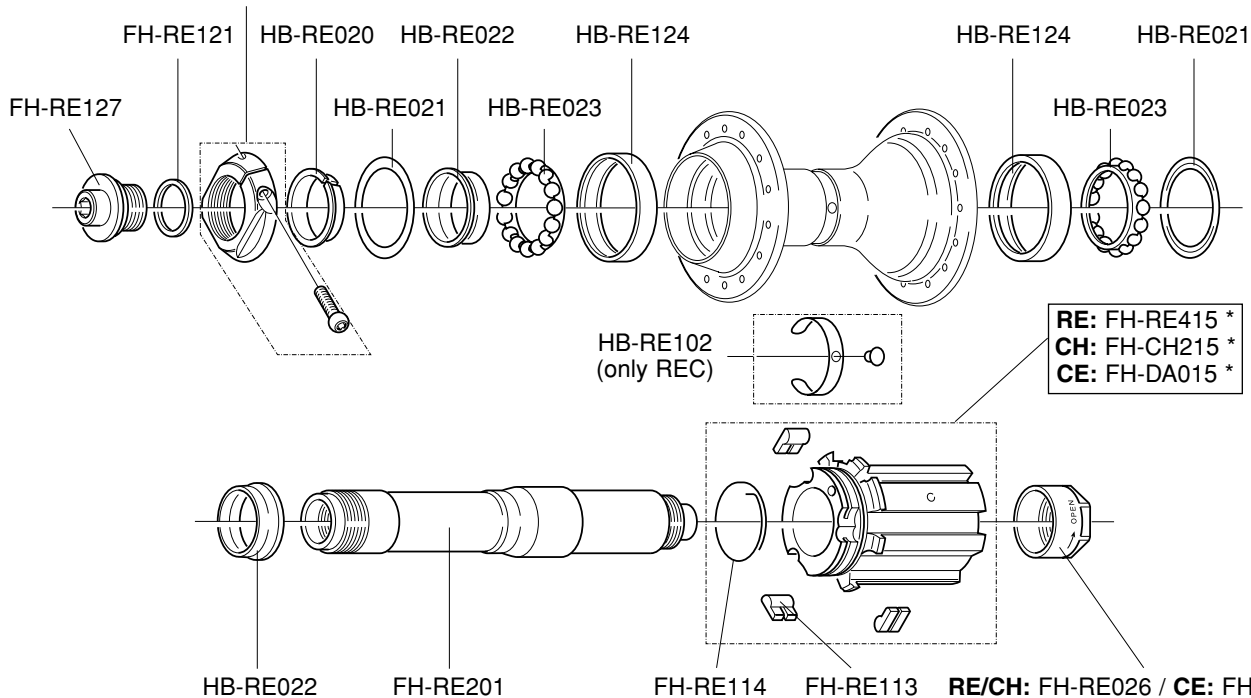
FRONT: QF-AT101
REAR: QR-AT101

RECORD HB02-RE..
CHORUS HB02-CH..
CENTAUR HB02-CE..



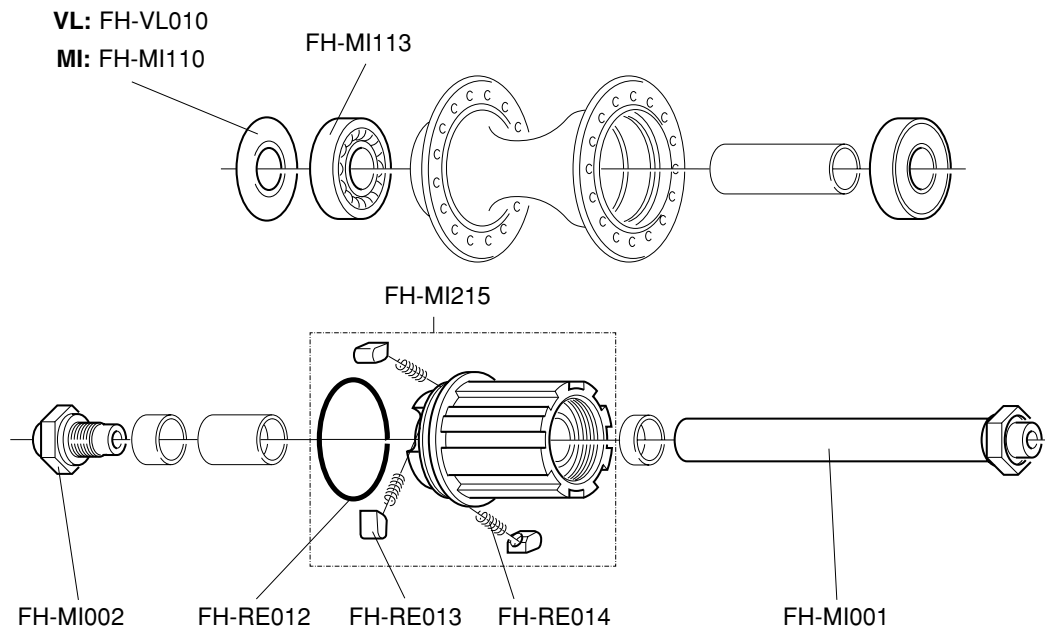
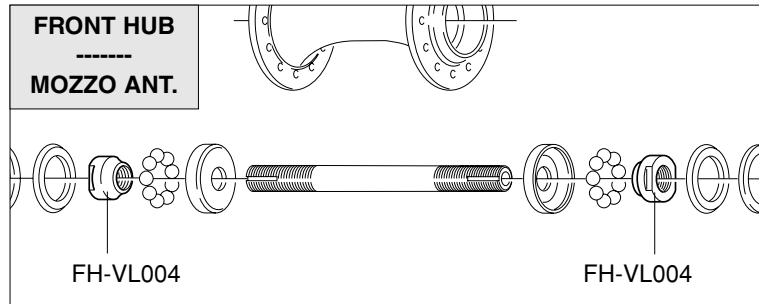
RECORD 9s/10s FH02-RE..
CHORUS 9s/10s FH02-CH..
CENTAUR 9s/10s FH02-CE..

RE: FH-RE028
CH: FH-CH025
CE: HB-DA019

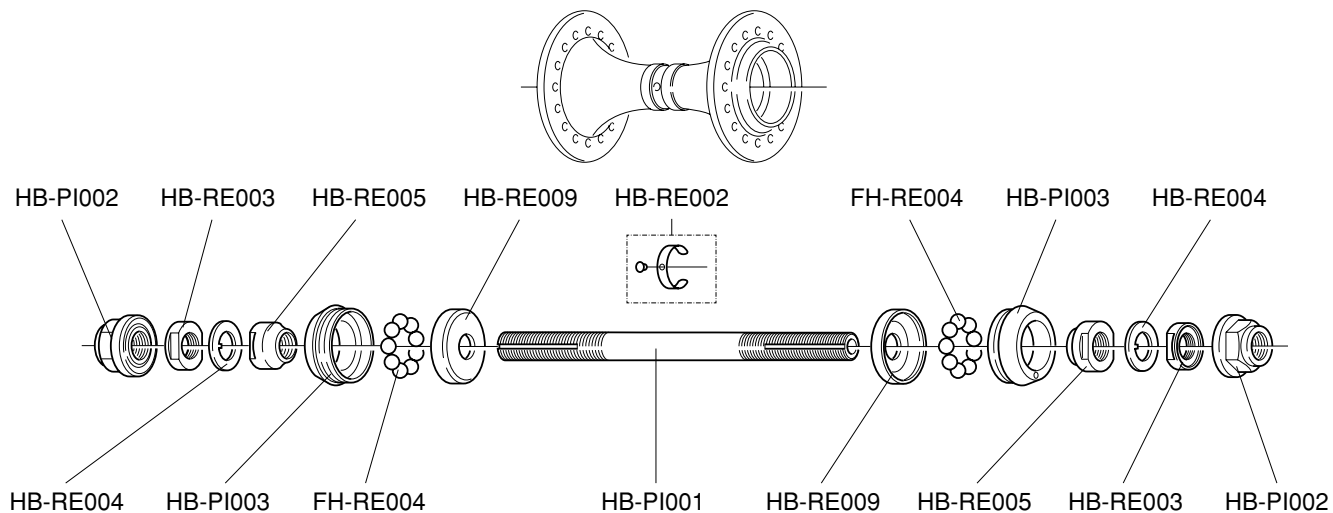


* HG 8/9 type FW body / corpetto RL tipo HG 8/9: **WH-KX1** (RECORD type) **WH-KX2** (CHORUS type)

VELOCE 9s FH02-VL..
MIRAGE 9s FH02-MI..

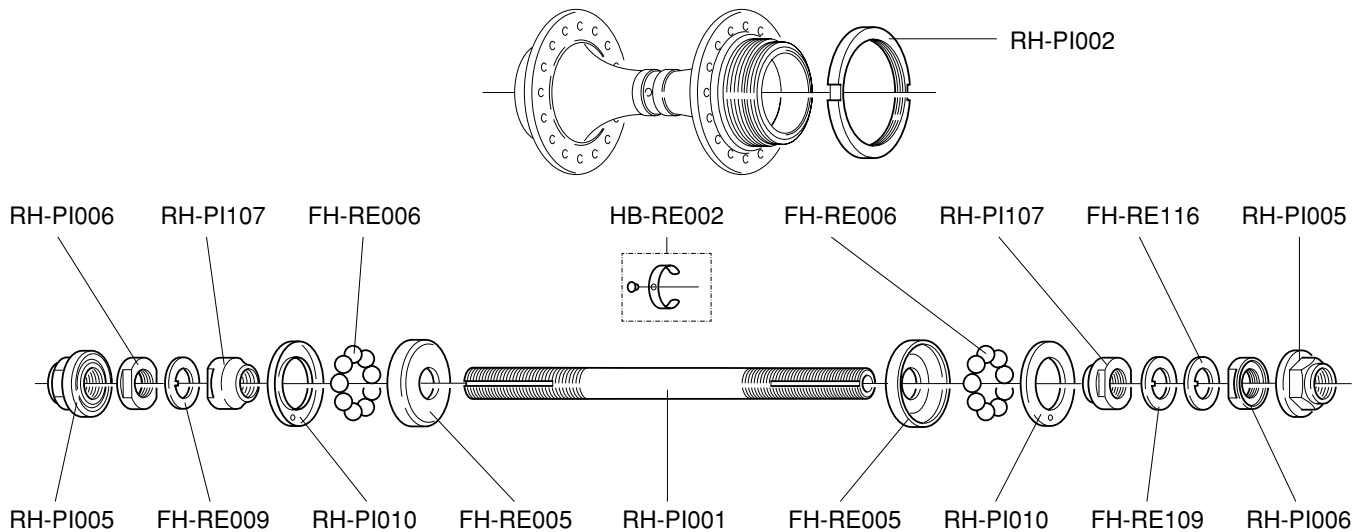


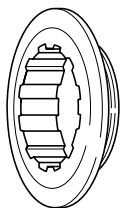
RECORD PISTA
HB02-REPI..



RECORD PISTA
FH02-REPI..

REAR HUB





CODE CODICE	TYPE TIPO	RANGE GAMMA	HUB COMPATIBILITY COMPATIBILITÀ MOZZI	
CS-401	<i>9s / 10s</i> "oversize" thread/fil.: 27 x 1	steel / acciaio	2000 e succ. 2000 and following	all groups / tutti i gruppi all wheels / tutte le ruote
			1999	RECORD - CHORUS all wheels / tutte le ruote
CS-501	<i>9s / 10s</i> "oversize" thread/fil.: 27 x 1	steel / acciaio (for Z. 11)	2000 e succ. 2000 and following	all groups / tutti i gruppi all wheels / tutte le ruote
			1999	RECORD - CHORUS all wheels / tutte le ruote
CS-101T	<i>9s / 10s</i> "oversize" thread/fil.: 27 x 1	titanium / titanio	2000 e succ. 2000 and following	all groups / tutti i gruppi all wheels / tutte le ruote
			1999	RECORD - CHORUS all wheels / tutte le ruote
CS-201	<i>9s</i> thread/fil.: 26 x 1	steel / acciaio	1999	ATHENA - VELOCE - MIRAGE
			1998 / 1997	9s groups / gruppi 9s 9s wheels / ruote 9s
CS-301	<i>9s</i> thread/fil.: 26 x 1	steel / acciaio (for Z. 11)	1999	ATHENA - VELOCE - MIRAGE
			1998 / 1997	9s groups / gruppi 9s 9s wheels / ruote 9s
CS-001T	<i>9s</i> thread/fil.: 26 x 1	titanium / titanio	1999	ATHENA - VELOCE - MIRAGE
			1998 / 1997	9s groups / gruppi 9s 9s wheels / ruote 9s '97 8s aluminum FW body / corpetto RL in alluminio 8s '97
CS-001V	<i>8s</i> thread/fil.: 29 x 1	steel / acciaio	1999 e prec. 1999 and previous	all 8s hubs (with steel FW body) tutti i mozzi 8s (con corpetto TL in acciaio)

RECORD UD 10s
CSK00-RE10..

DISTANZIALI / SPACERS

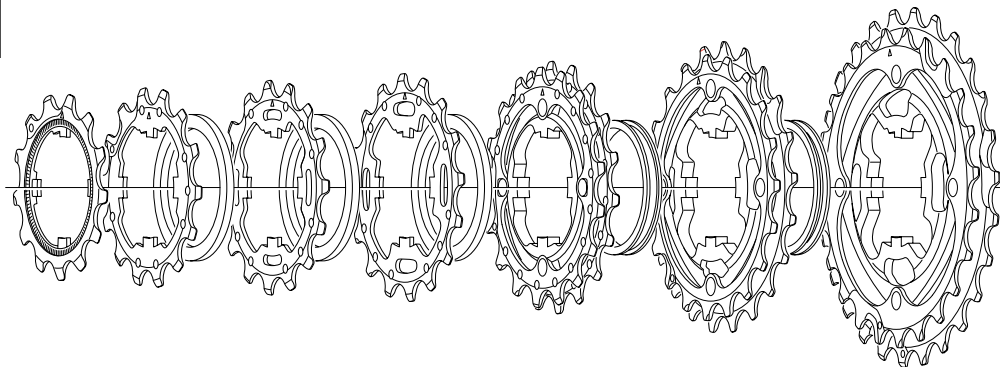
F = CS-601

G = CS-602

H = CS-603

I = CS-604

L = CS-605



11 - 21	11A-1° 9S-011	12A-2° 10S-022		13A 10S-131	F	14A 10S-141	F	15A 10S-151	F	16A 10S-161	G	17A-18C* 10S-78CT	H	19C-21C* 10S-91CT
11 - 23	11A-1° 9S-011	12A-2° 10S-022		13A 10S-131	F	14A 10S-141	F	15A 10S-151	F	16A 10S-161	G	17A-19A* 10S-79AT	H	21A-23A* 10S-13AT
12 - 25	12A-1° 10S-012	13A 10S-131	F	14A 10S-141	F	15A 10S-151	F	16A-17A* 10S-67A	I	19A-21A* 10S-91AT	L	23A-25A* 10S-35AT		
13 - 26	13A-1° 10S-013	14A 10S-141	F	15A 10S-151	F	16A 10S-161	F	17A-18C* 10S-78C	I	19C-21C* 10S-91CT	L	23C-26C* 10S-36CT		
13 - 29	13A-1° 10S-013	14A 10S-141	F	15A 10S-151	F	16A 10S-161	F	17A-19A* 10S-79A	I	21A-23A* 10S-13AT	L	26A-29A* 10S-69AT		

* pre-assembled

**RECORD UD
TITANIUM 10s
CSK00-RE10..T**

DISTANZIALI / SPACERS

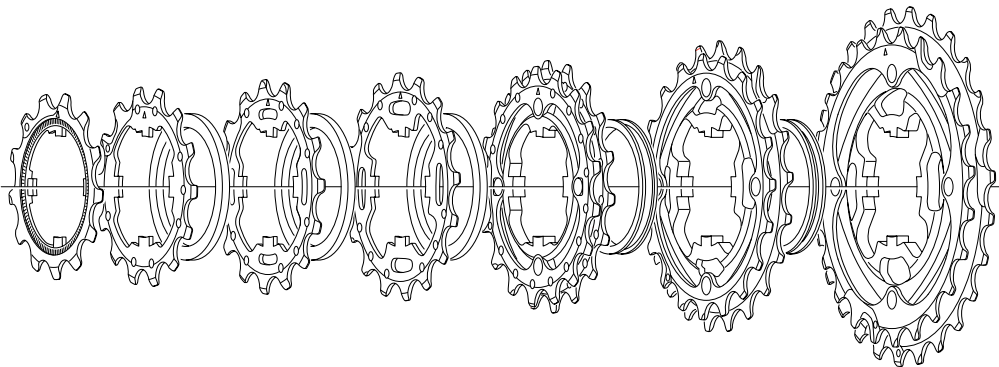
F = CS-601

G = CS-602

H = CS-603

I = CS-604

L = CS-605



11 - 23	11A-1° 9S-011	12A-2° 10S-022T		13A 10S-131T	F	14A 10S-141T	F	15A 10S-151T	F	16A 10S-161T	G	17A-19A* 10S-79AT	H	21A-23A* 10S-13AT
12 - 25	12A-1° 10S-012T	13A 10S-131T	F	14A 10S-141T	F	15A 10S-151T	F	16A-17A* 10S-67AT	I	19A-21A* 10S-91AT	L	23A-25A* 10S-35AT		
13 - 26	13A-1° 10S-013T	14A 10S-141T	F	15A 10S-151T	F	16A 10S-161T	F	17A-18C* 10S-78CT	I	19C-21C* 10S-91CT	L	23C-26C* 10S-36CT		

* pre-assembled

CHORUS UD 10s
CSK00-CH10..

DISTANZIALI / SPACERS

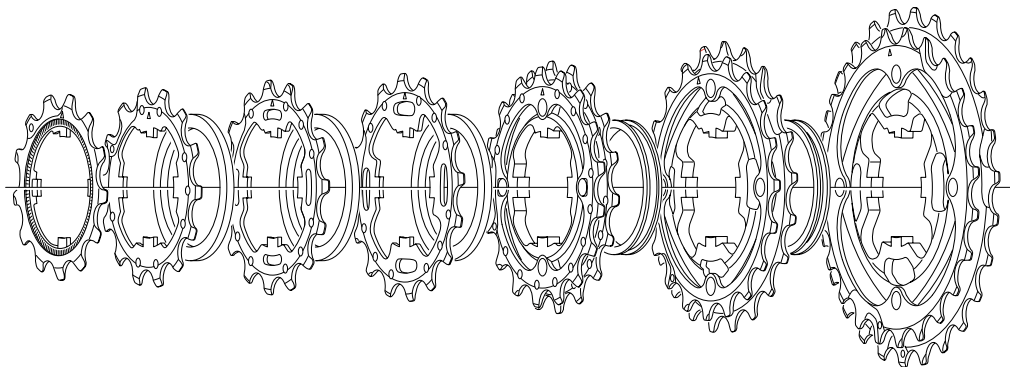
F = CS-601

G = CS-602

H = CS-603

I = CS-604

L = CS-605



11 - 23	11A-1° 9S-011	12A-2° 10S-022		13A 10S-131	F	14A 10S-141	F	15A 10S-151	F	16A 10S-161	G	17A-19A* 10S-79A	H	21A-23A* 10S-13A
12 - 25	12A-1° 10S-012	13A 10S-131	F	14A 10S-141	F	15A 10S-151	F	16A-17A* 10S-67A	I	19A-21A* 10S-91A	L	23A-25A* 10S-35A		
13 - 26	13A-1° 10S-013	14A 10S-141	F	15A 10S-151	F	16A 10S-161	F	17A-18C* 10S-78C	I	19C-21C* 10S-91C	L	23C-26C* 10S-36C		
13 - 29	13A-1° 10S-013	14A 10S-141	F	15A 10S-151	F	16A 10S-161	F	17A-19A* 10S-79A	I	21A-23A* 10S-13A	L	26A-29A* 10S-69A		

* pre-assembled

CENTAUR UD 10s
CS02-CE10..

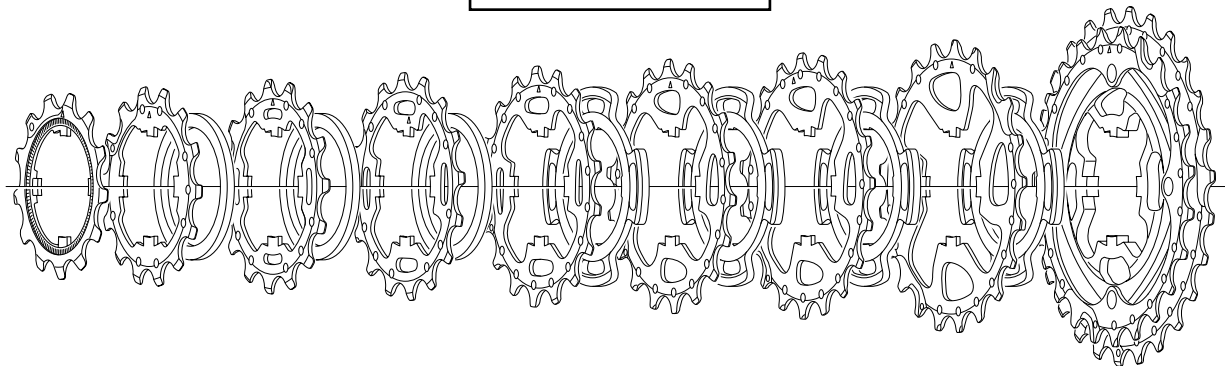
DISTANZIALI / SPACERS

F = CS-601

G = CS-602

M = CS-606

N = CS-607



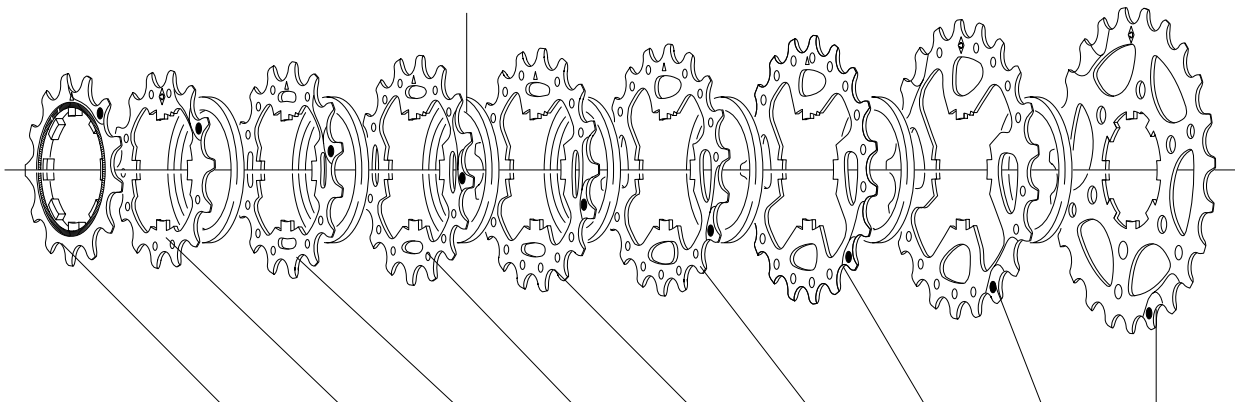
11 - 23	11A-1° 9S-011	12A-2° 10S-022		13A 10S-131	F	14A 10S-141	F	15A 10S-151	F	16A 10S-161	G	17A 10S-171	N	19A 10S-191	M	21A-23A* 10S-13A
12 - 25	12A-1° 9S-113	13A 10S-131	F	14A 10S-141	F	15A 10S-151	F	16A 10S-161	F	17A 10S-171	N	19A 10S-191	N	21A 10S-211	M	23A-25A* 10S-35A
13 - 26	13A-1° 10S-013	14A 10S-141	F	15A 10S-151	F	16A 10S-161	F	17A 10S-171	N	18C 10S-183	N	19C 10S-193	N	21C 10S-213	M	23C-26C* 10S-36C
13 - 29	13A-1° 10S-013	14A 10S-141	F	15A 10S-151	F	16A 10S-161	F	17A 10S-171	N	19A 10S-191	N	21A 10S-211	N	23A 10S-231	M	26A-29A* 10S-69A

* pre-assembled

VELOCE UD 9s
CS01-EC09..

MIRAGE UD 9s compatible

CS-102



12 - 23	12A-1° 9S-113	13A 9S-131	14A 9S-141	15A 9S-151	16A 9S-161	17A 9S-171	19A 9S-191	21A 9S-211	23A 9S-231
13 - 23	13A-1° 9S-114	14A 9S-141	15A 9S-151	16A 9S-161	17A 9S-171	18C 9S-183	19C 9S-193	21C 9S-213	23C 9S-233
13 - 26	13A-1° 9S-114	14A 9S-141	15A 9S-151	16A 9S-161	17A 9S-171	19A 9S-191	21A 9S-211	23A 9S-231	26A 9S-261
13 - 28	13B-1° 9S-015	14B 9S-142	15B 9S-152	17B 9S-172	19A 9S-191	21A 9S-211	23A 9S-231	25A 9S-251	28A 9S-281
14 - 28	14A-1° 9S-016	15A 9S-151	16A 9S-161	17A 9S-171	19A 9S-191	21A 9S-211	23A 9S-231	25A 9S-251	28A 9S-281

RECORD
PRO-FIT PLUS
 PD01-RE

CHORUS
PRO-FIT PLUS
 PD01-CH

CENTAUR
PRO-FIT PLUS
 PD02-CE

RECORD	R	PD-RE303
	L	PD-RE304

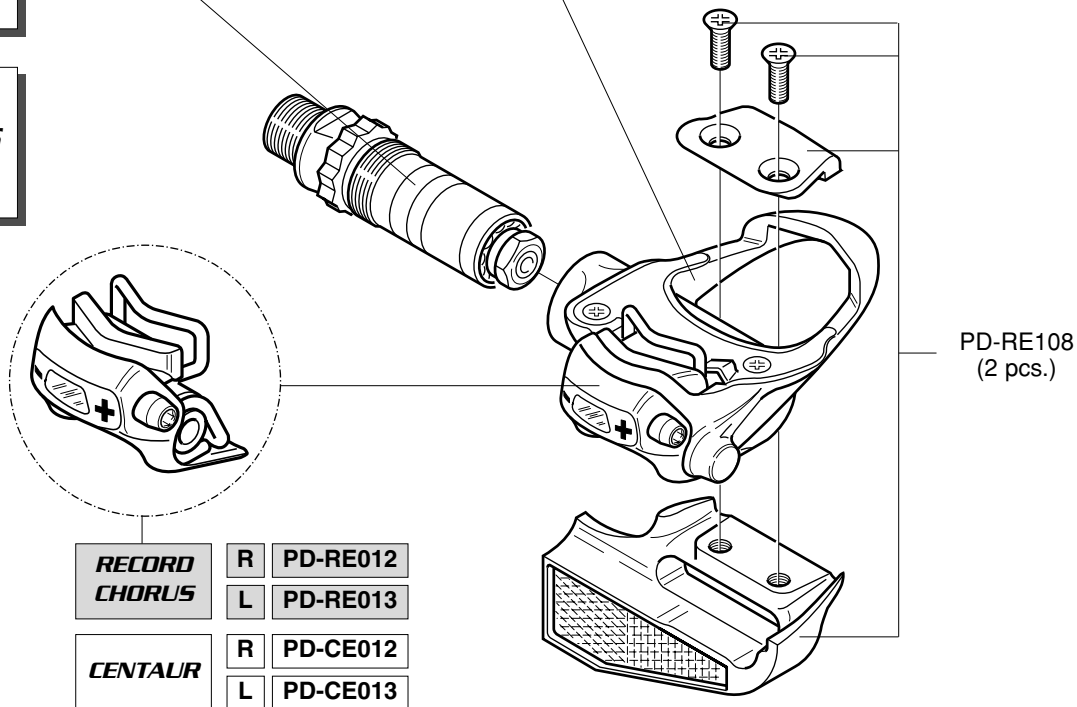
CHORUS	R	PD-CH303
	L	PD-CH304

CENTAUR	R	PD-DA003
	L	PD-DA004

RECORD	R	PD-RE301
	L	PD-RE302

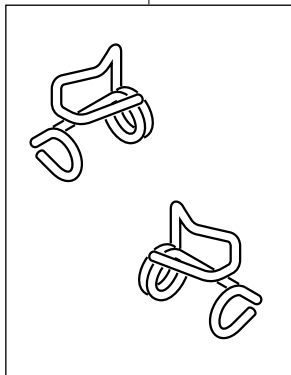
CHORUS	R	PD-CH301
	L	PD-CH302

CENTAUR	R	PD-CE001
	L	PD-CE002

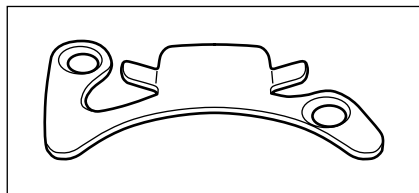
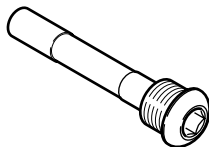


**PRO-FIT /
PRO-FIT PLUS
SPARE PARTS**

R + L: PD-RE105

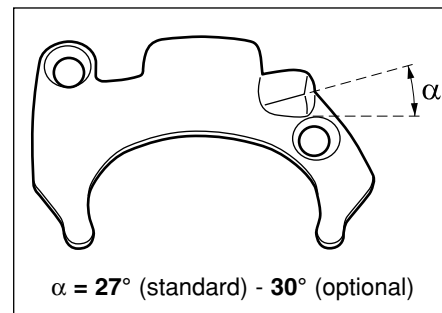
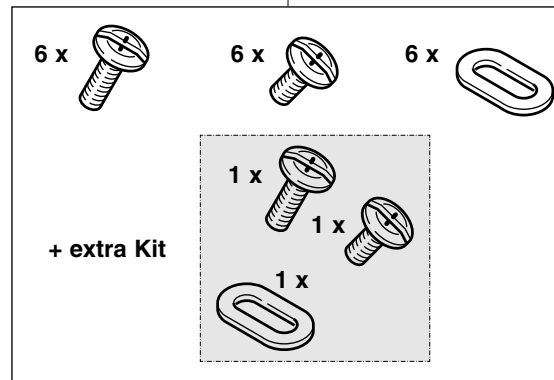


PD-RE107



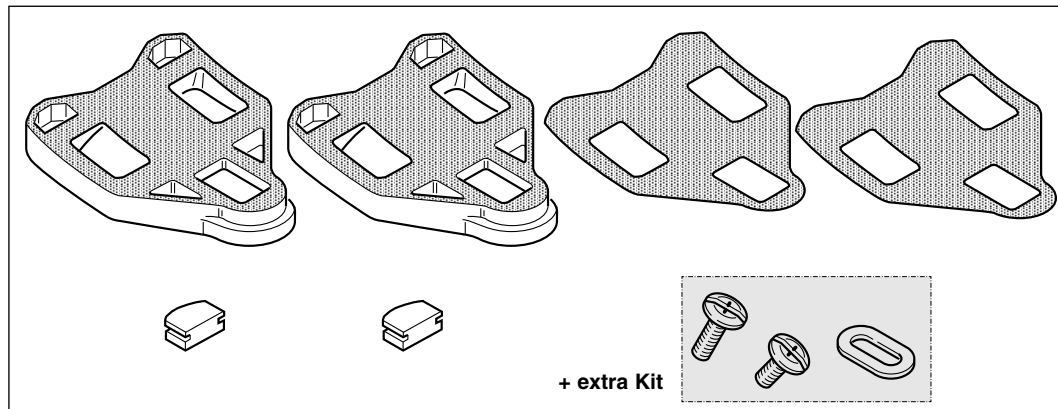
PRO-FIT
PD-RE111

PD-RE116 (blister)



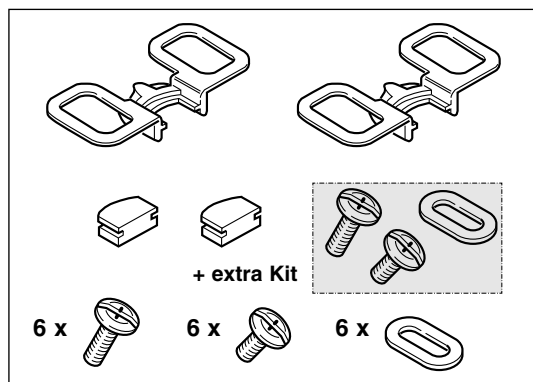
PRO-FIT PLUS
PD-RE110: standard - 27°
PD-RE109: HRE - optional - 30°

**PRO-FIT /
PRO-FIT PLUS
SPARE PARTS**



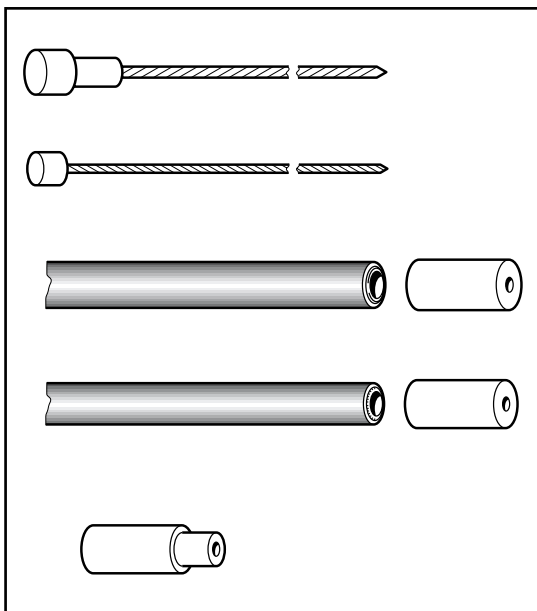
**FLOATING CLEATS
PD-RE020
(blister)**

**FIXED CLEATS
PD-RE021
(blister)**



PD-RE200 (blister)




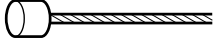



CABLES & CASINGS complete sets



<p>ERGOPOWER</p>	<p>CG-ER500 *</p>	
<p>TRADITIONAL</p>	<p>Brakes</p>	<p>CG-BR201</p>
	<p>Derailleurs</p>	<p>CG-DD101</p>

* blister-packed (incl. brake housing ferrules) / in conf. blister (incl. capi guaina)

CABLES & CASINGS SPARE PARTS

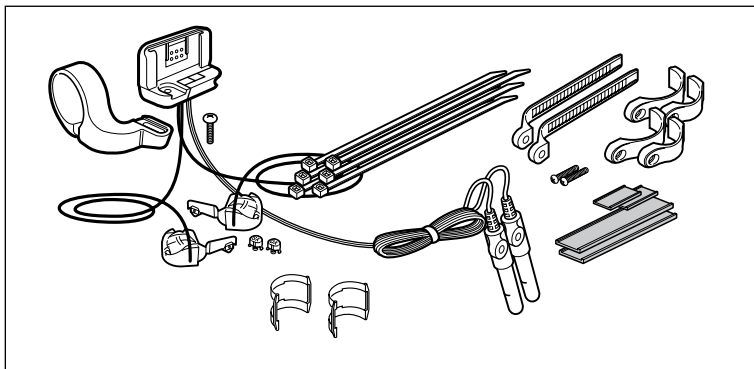
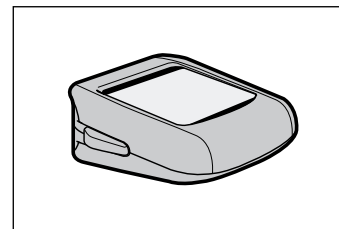
		FRONT	REAR	
BRAKES		Ø 1,6 mm L. 800 mm CG-CB003	Ø 1,6 mm L. 1600 mm CG-CB013	
		Ø 5 mm L. 580 mm CG-CS014	Ø 5 mm L. 1250 mm CG-CS002	
		Ø 6 mm CG-CS011 (not sealed / senza guarnizione)		
DERAILLEURS	 Ø 1,2 mm	ERGOPOWER	L. 1600	CG-CB014
		ERGOPOWER	L. 2000	CG-CB009
		SHIFTING LEVERS	L. 830	CG-CB011
		SHIFTING LEVERS	L. 1600	CG-CB014
	 Ø 4,5 mm	ERGOPOWER	L. 680	CG-CS015
		ERGOPOWER	L. 330	CG-CS008
		Ø 5,7 mm CG-CS012 (sealed / con guarnizione)		
		Ø 5,7/4 mm CG-CS013 (sealed / con guarnizione)		



MAIN UNIT / SOLO COMPUTER

ErgoBrain 10 CI03-EB10C3

(triple compatible)



ASSEMBLY KIT /

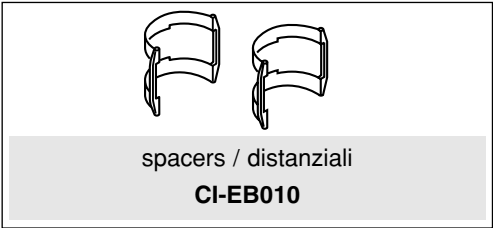
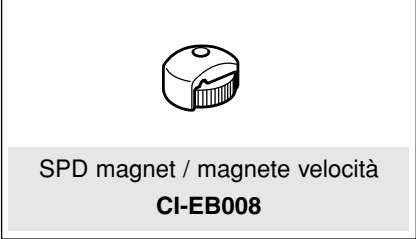
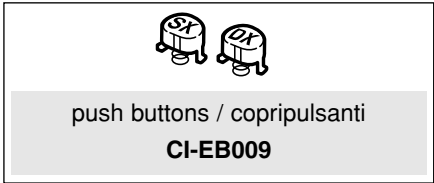
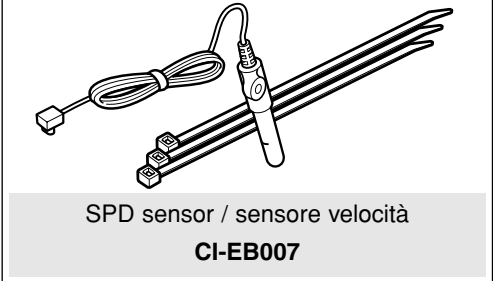
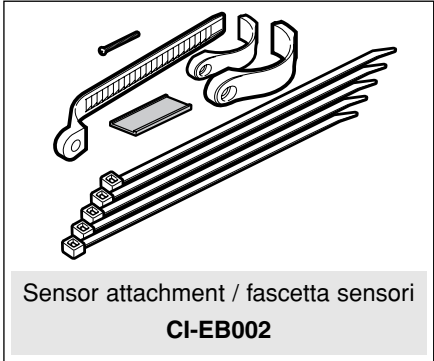
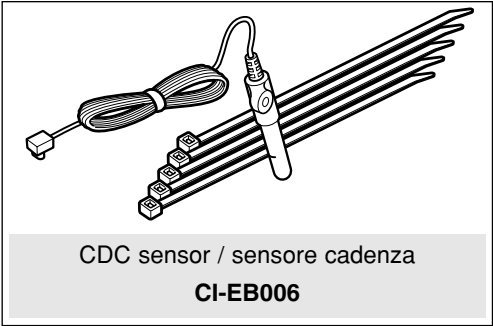
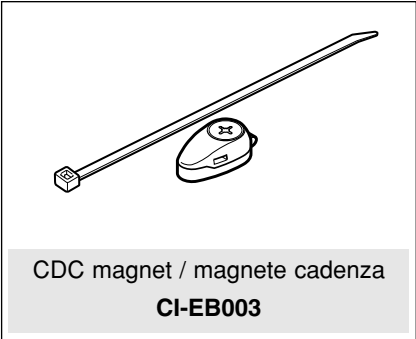
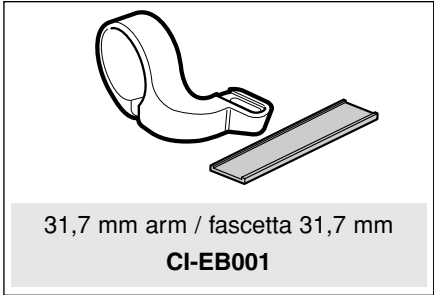
KIT D'INSTALLAZIONE

ErgoBrain CI00-EB09B1

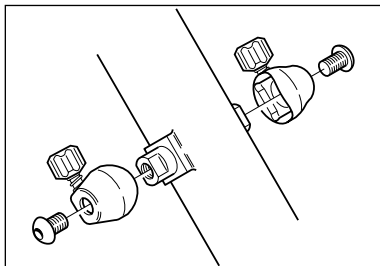
(for 9s drivetrain / per trasmissione 9s)

ErgoBrain 10 CI00-EB10B2

(for 10s drivetrain / per trasmissione 10s)



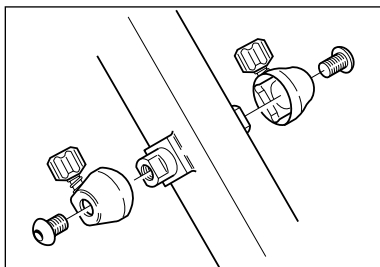
ERGOPOWER BLOCKS



FOR ROUND DOWN TUBE

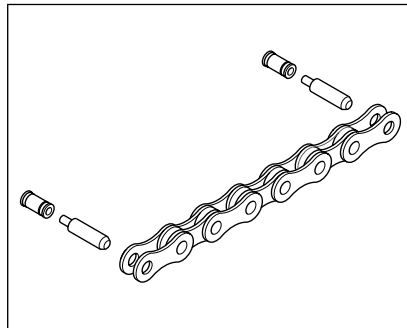
Aluminum: **EC-RE001**

Resin: **EC-AT001**



FOR FLAT DOWN TUBE

Resin: **EC-AT002**



CN-RE200

HD-Link

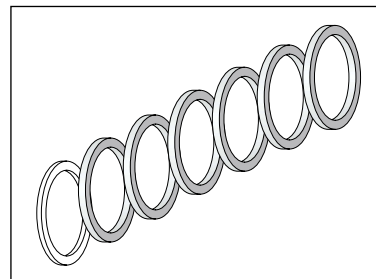
for C10 UD and C10 HD-L chains
(blister-packed)



LB-1CN

SUPERLATIVE

chain lubricant



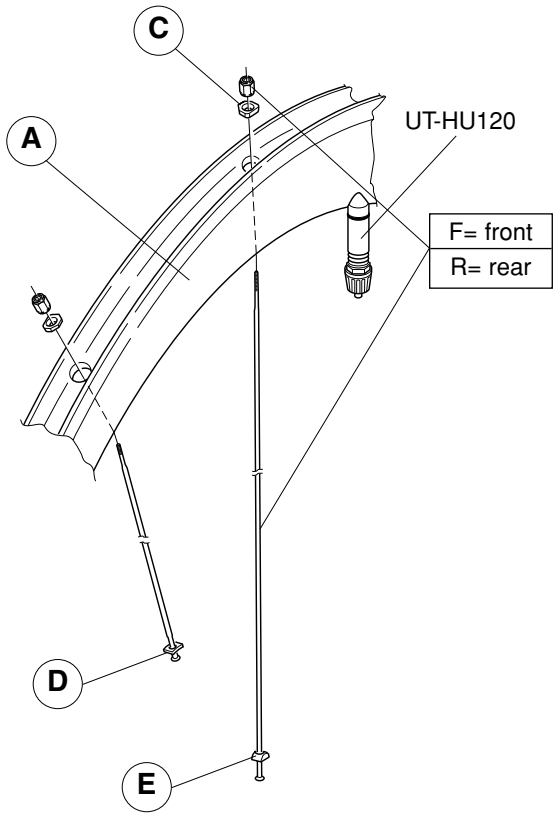
KIT-03

Transforms a Veloce 9s sprocket set into a 8s cassette.

Only for 9s/10s hub/wheels.

RD-RE700	rotelline cambio 10s	10s rear derailleur pulleys	jeu de galets dérail. arr. 10s
RD-RE600	rotelline cambio 9s	9s rear derailleur pulleys	jeu de galets dérail. arr. 9s
RD-RE500	rotelline cambio 8s	8s rear derailleur pulleys	jeu de galets dérail. arr. 8s
EC-RE600	coprisupporti EP dx + sx "new style"	right + left EP rubber hoods (new style)	repose-main EP droit + gauche "new style"
EC-RE500	coprisupporti EP dx + sx "old style"	right + left EP rubber hoods (old style)	repose-main EP droit + gauche "old style"
BR-RE701	pattini freno per ruote HYPERON tubolare	brake pads for HYPERON tubular wheels	patins de frein roues HYPERON boyaux
BR-RE700	pattini freno	brake pads	patins de frein
BR-RE600	pattini freno	brake pads	patins de frein
BR-MI600	pattini freno compl.	compl. brake pads	patins de frein compl.
BL-RE500	coprisupporti tradizionali dx + sx (gamma 2000 e prec.)	r + l traditional rubber hoods (2000 range and prev.)	repose-main trad. droit + gauche (gamme 2000 et préc.)
PD-RE020	tacchette pedali (con gioco)	self-aligning pedal cleats	plaques avec jeu pour pédales
PD-RE021	tacchette pedali (senza gioco)	fixed pedal cleats	plaques sans jeu pour pédales
PD-RE200	denti d'aggancio pedali + viti	pedal engaging hooks + screws	dispositifs d'accrochage pédales + vis
PD-RE116	viti fissaggio tacchette pedali	pedal cleats fixing screws	vis fixation plaques pédales
CG-ER500	cavi e guaine EP (con capi-guaina)	EP cables and casings (with brake housing ferrules)	câbles et gaines EP (avec butée de gaines)
CN-RE200	HD-LINK per catene C10 UD e HD-L	HD-LINK for C10 UD and HD-L chains	HD-LINK for C10 UD and HD-L chains

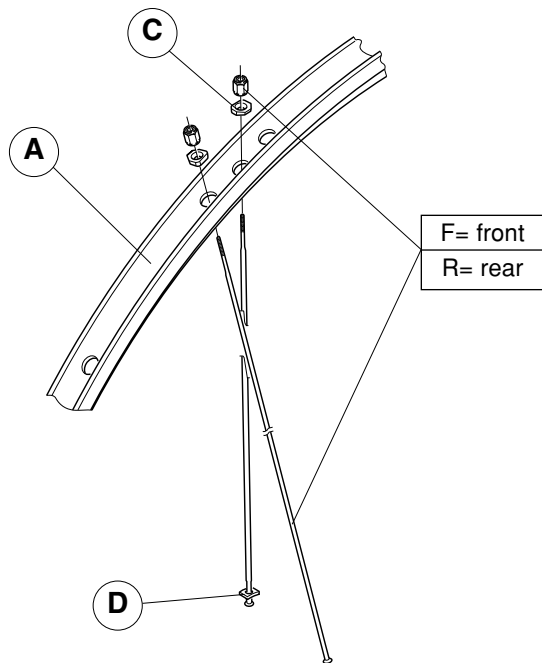
BORA 9s / 10s



COMPLETE WHEELS	A	Compl. KIT	MINI-KIT
FRONT			
WH99-BOTF tubular 28"	WH-201BO	KIT-11BO (16F + 16C + 16D)	KIT-100BO (2F+2R right +2R left+6C+4D+2E)
REAR			
WH99-BOTR WH99-BOTRX tubular 28"	WH-301BO	KIT-12BO (9R right+9R left+18C+9D+9E)	

COMPLETE WHEELS	F	R right	R left
WH99-BOTF tubular 28"	L. 278 mm		
WH99-BOTR WH99-BOTRX tubular 28"		L. 277 mm	L. 278 mm

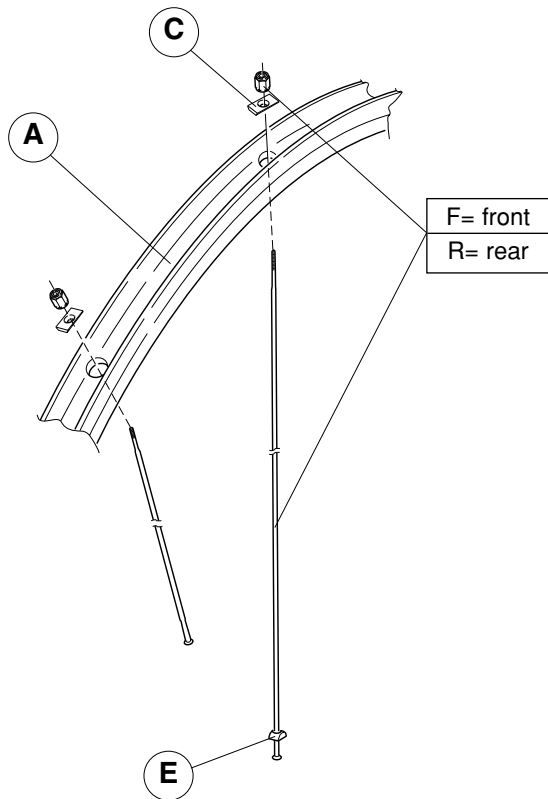
EURUS 9s / 10s



COMPLETE WHEELS	A	Compl. KIT	MINI-KIT
FRONT			
WH02-EUCF clincher 28"	WH-003EU	KIT-03EU (18F+18C+18D)	KIT-200EU (2F+2R right +2R left+6C+4D)
REAR			
WH02-EUCR WH02-EUCRX clincher 28"	WH-004EU	KIT-04EU (15R right+8R left+15C+8D)	

COMPLETE WHEELS	F	R right	R left
WH02-EUCF clincher 28"	L. 285 mm		
WH02-EUCR WH02-EUCRX clincher 28"		L. 288 mm	L. 285 mm

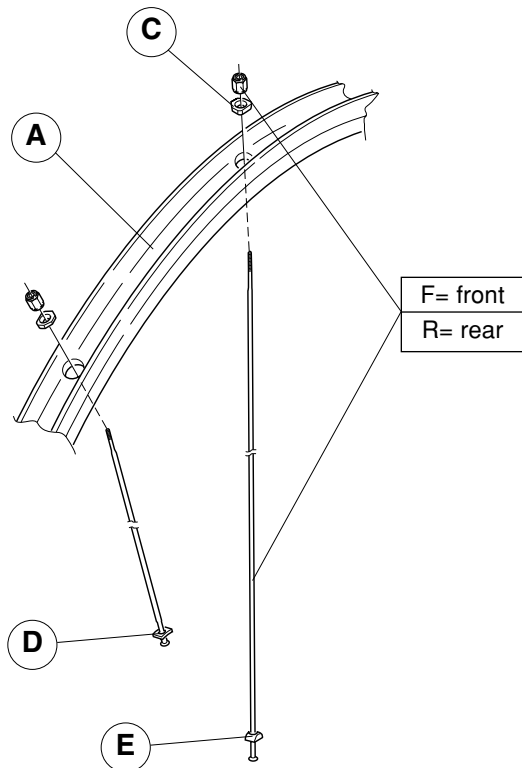
HYPERON **9s / 10s**



COMPLETE WHEELS	A	Compl. KIT	MINI-KIT
FRONT			
WH02-HYTF tubular 28"	WH-001HY	KIT-01HY (24F+24C)	KIT-100HY (2F+2R right +2R left+6C+2E)
REAR			
WH02-HYTR WH02-HYTRX tubular 28"	WH-002HY	KIT-02HY (13R right+13R left+26C+13E)	

COMPLETE WHEELS	F	R right	R left
WH02-HYTF tubular 28"	L. 294,5 mm		
WH02-HYTR WH02-HYTRX tubular 28"		L. 295 mm	L. 294,5 mm

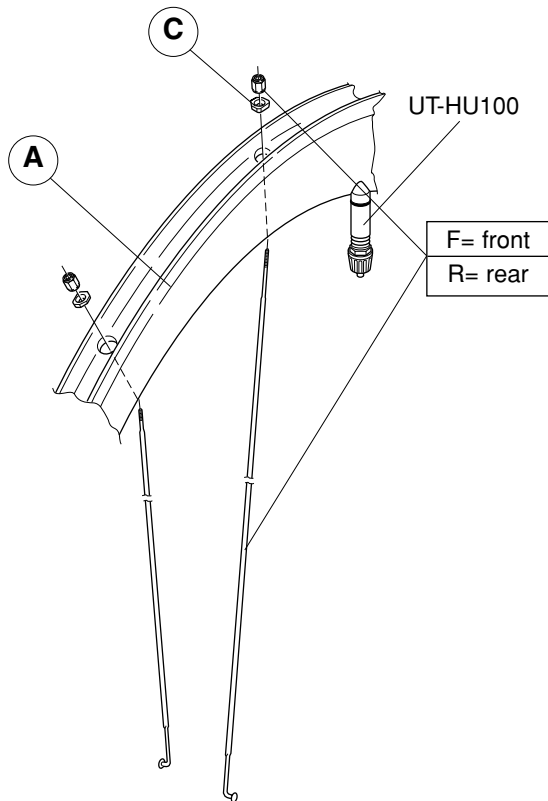
NEUTRON 9s / 10s



COMPLETE WHEELS	A	Compl. KIT	MINI-KIT
FRONT			
WH02-NETF tubular 28"	WH-001NE	KIT-01NE (24F+24C+24D)	<u>tubular</u> KIT-100NE (2F+2R right +2R left+6C+4D+2E)
WH02-NECF clincher 28"	WH-003NE	KIT-03NE (24F+24C+24D)	
REAR			
WH02-NETR WH02-NETRX tubular 28"	WH-002NE	KIT-02NE (13R right+13R left+26C+13D+13E)	<u>clincher</u> KIT-200NE (2F+2R right +2R left+6C+4D+2E)
WH02-NECR WH02-NECRX clincher 28"	WH-004NE	KIT-04NE (13R right+13R left+26C+13D+13E)	

COMPLETE WHEELS	F	R right	R left
WH02-NETF tubular 28"	L. 296,5 mm		
WH02-NECF clincher 28"	L. 294,25 mm		
WH02-NETR WH02-NETRX tubular 28"		L. 299,5 mm	L. 296,5 mm
WH02-NECR WH02-NECRX clincher 28"		L. 296,5 mm	L. 294,75 mm

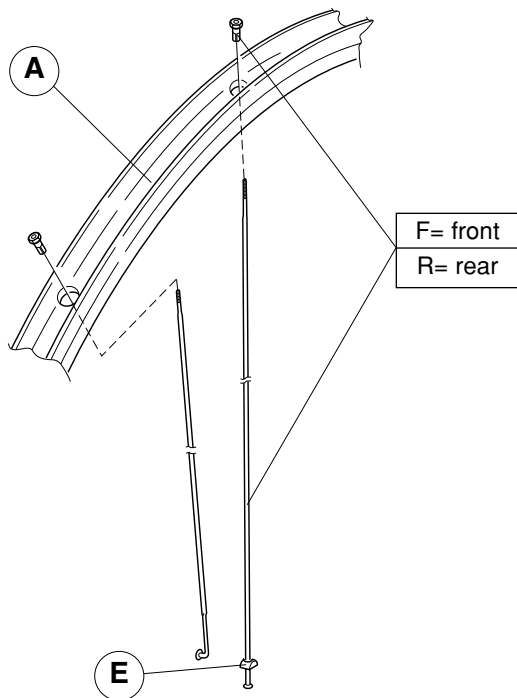
PISTA



COMPLETE WHEELS	A	Compl. KIT	MINI-KIT
FRONT			
WH02-PTF tubular 28"	WH-001P	KIT-01P (22F+22C)	KIT-100P (3F+3R+6C)
REAR			
WH02-PTR tubular 28"	WH-002P	KIT-02P (26R+26C)	

COMPLETE WHEELS	F	R
WH02-PTF tubular 28"	L. 278 mm	
WH02-PTR tubular 28"		L. 287 mm

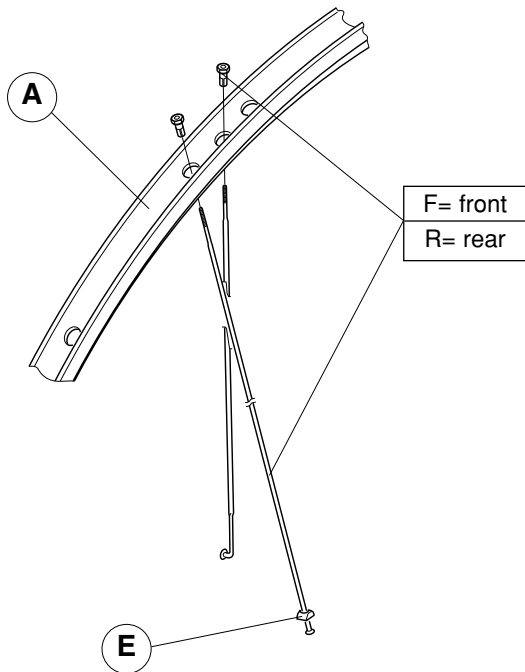
PROTON 9s / 10s



COMPLETE WHEELS	A	Compl. KIT	MINI-KIT
FRONT			
WH02-PRCF clincher 28"	WH-201PR	KIT-03PR (24F)	KIT-400PR (2F+2R right +2R left+2E)
REAR			
WH02-PRCR WH02-PRCRX clincher 28"	WH-202PR	KIT-04PR (13R right+13R left+13E)	

COMPLETE WHEELS	F	R right	R left
WH02-PRCF clincher 28"	L. 283 mm		
WH02-PRCR WH02-PRCRX clincher 28"		L. 292 mm	L. 283 mm

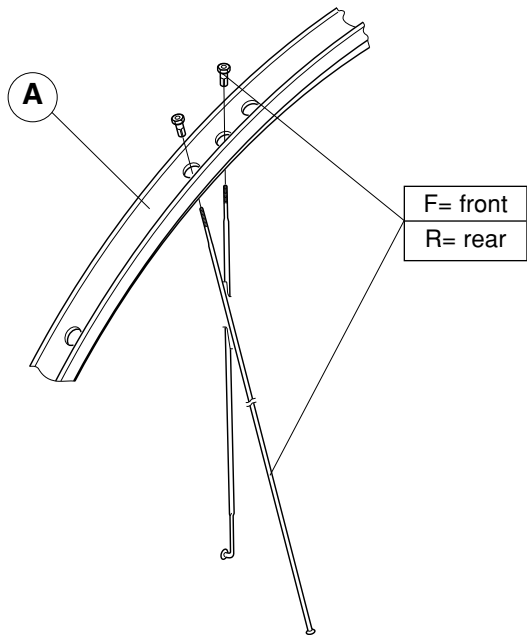
SCIROCCO 9s / 10s



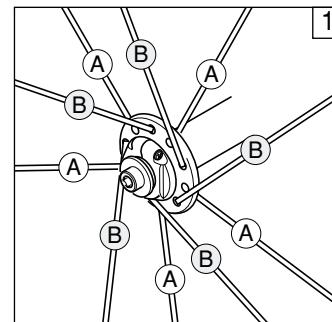
COMPLETE WHEELS	A	Compl. KIT	MINI-KIT
FRONT			KIT-400SC (2F+2R right +2R left+2E)
WH03-SCCF clincher 28"	WH-003SC	KIT-13SC (26F)	
REAR			
WH03-SCCR WH03-SCCRX clincher 28"	WH-004SC	KIT-14SC (17R right+9R left+17E)	

COMPLETE WHEELS	F	R right	R left
WH03-SCCF clincher 28"	L. 275 mm		
WH03-SCCR WH03-SCCRX clincher 28"		L. 279 mm	L. 272 mm

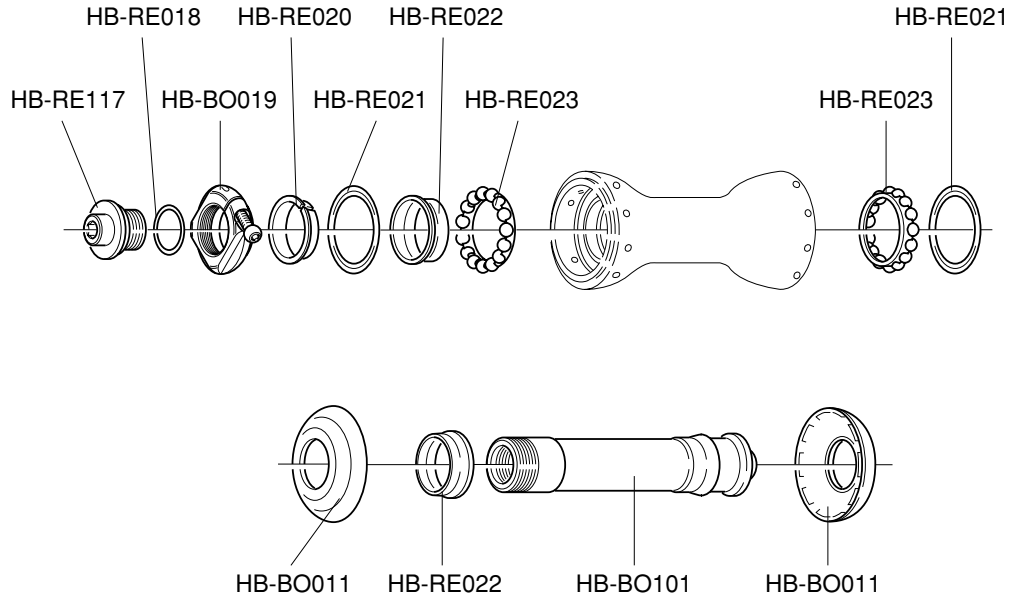
ZONDA 9s / 10s



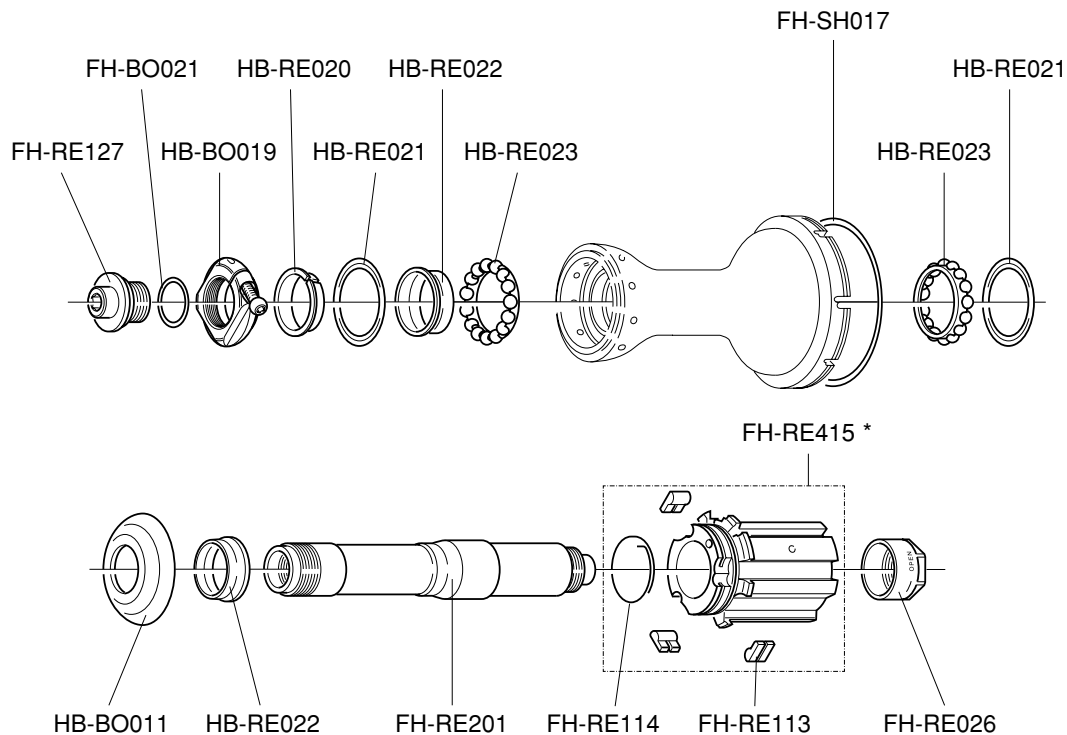
COMPLETE WHEELS	A	Compl. KIT	MINI-KIT
FRONT			
WH02-ZOCF clincher 28"	WH-003ZO	KIT-03ZO (11F/A+11F/B)	KIT-200ZO (2F/A+2F/B +2R right+2R left)
REAR			
WH02-ZOCR WH02-ZOCRX clincher 28"	WH-004ZO	KIT-04ZO (15R right+8R left)	
COMPLETE WHEELS	F (Fig. 1)	R right	R left
WH02-ZOCF clincher 28"	A: L. 273 mm B: L. 292 mm		
WH02-ZOCR WH02-ZOCRX clincher 28"		L. 282 mm	L. 271 mm



MOZZO ANTERIORE
HYPERON
FRONT HUB

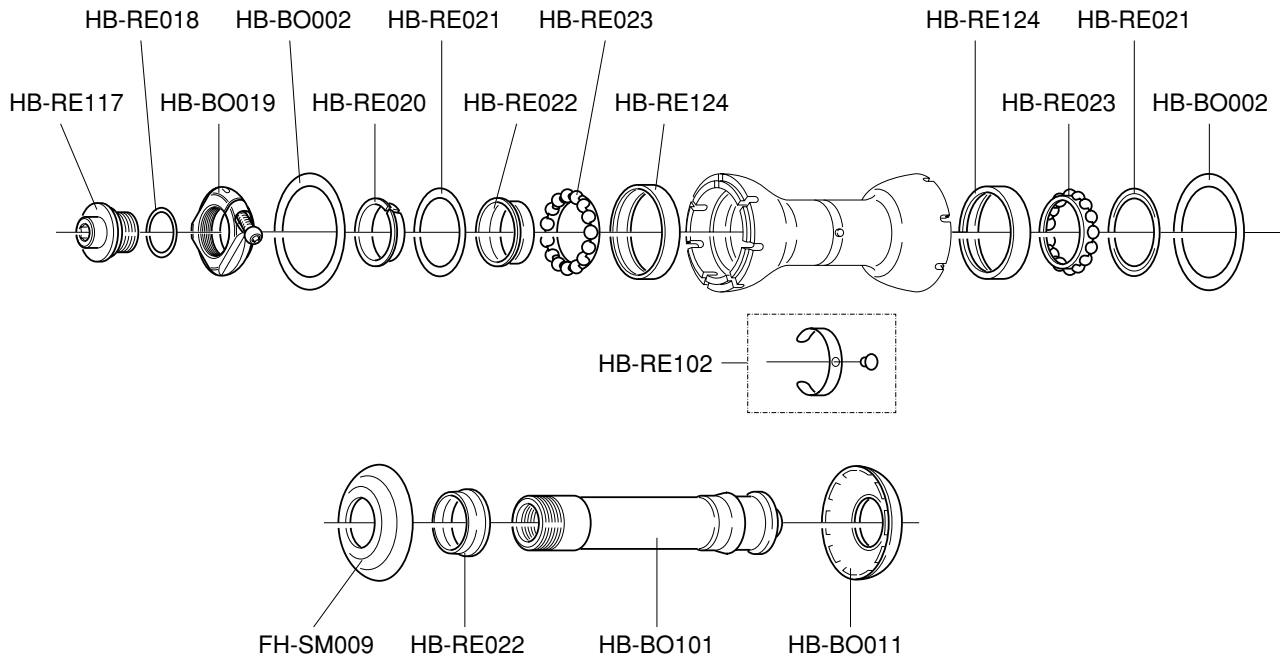


MOZZO POSTERIORE 9s / 10s
HYPERON
9s / 10s REAR HUB

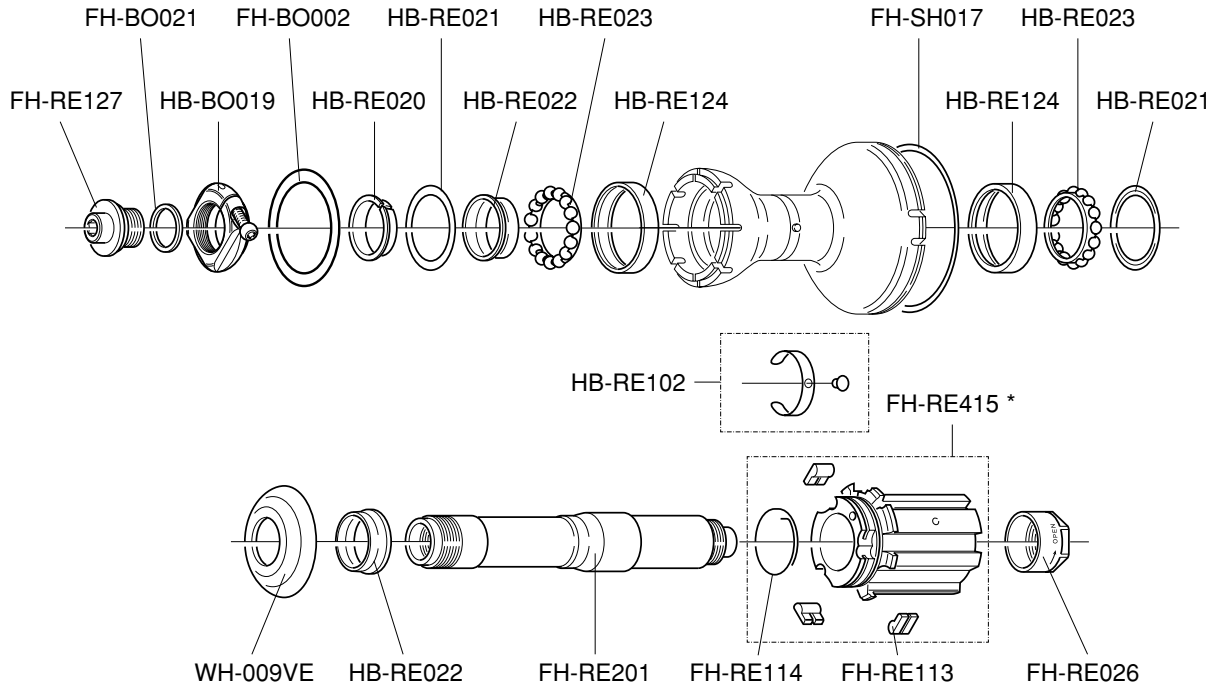


* HG 8/9 type FW body / corpetto RL tipo HG 8/9: **WH-KX1** (RECORD type) **WH-KX2** (CHORUS type)

MOZZO ANTERIORE BORA - NEUTRON - EURUS FRONT HUB

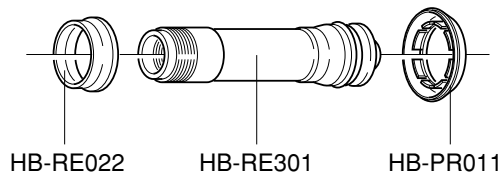
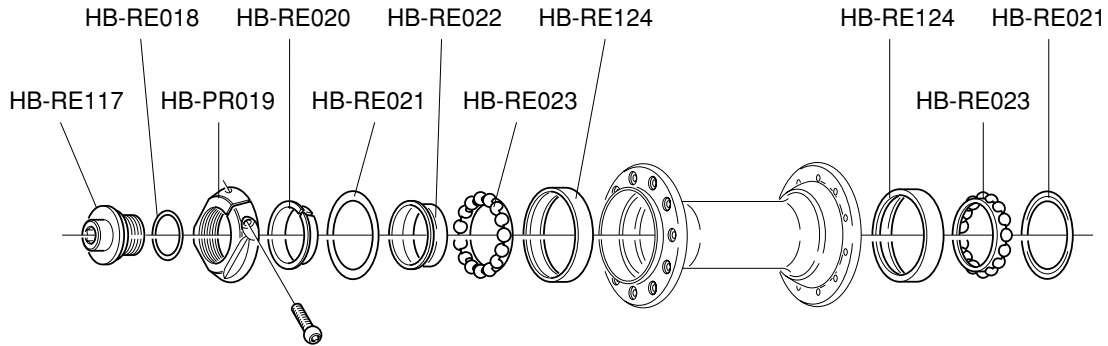


MOZZO POSTERIORE 9s / 10s
BORA - NEUTRON - EURUS
9s / 10s REAR HUB

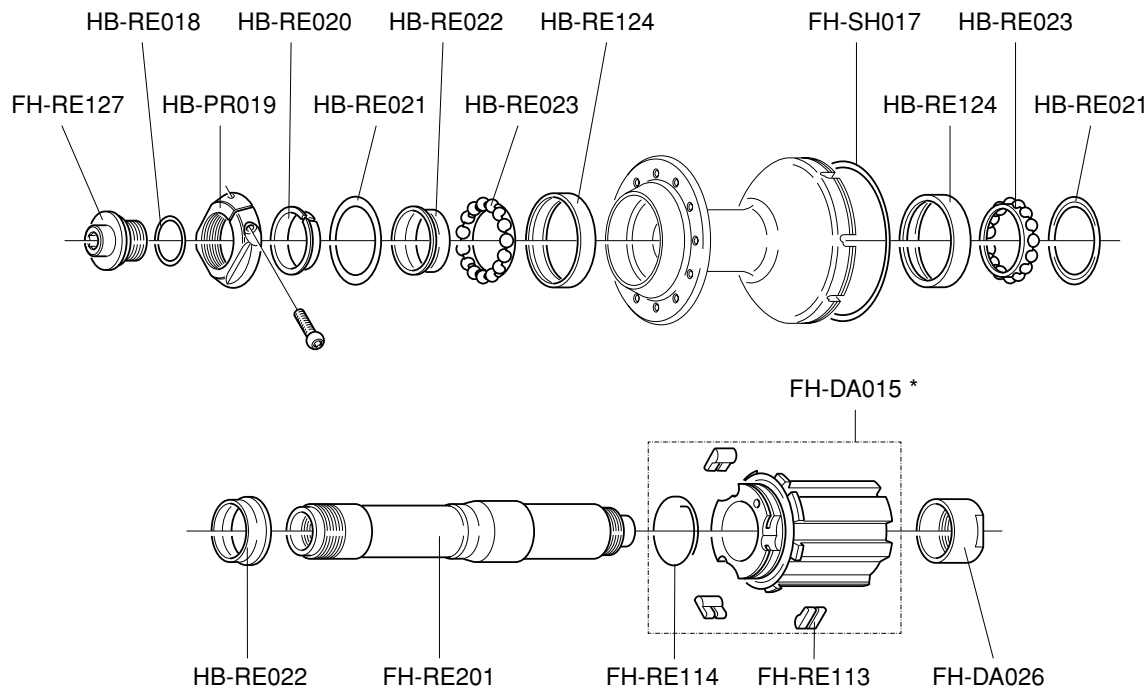


* HG 8/9 type FW body / corpetto RL tipo HG 8/9: **WH-KX1** (RECORD type) **WH-KX2** (CHORUS type)

**MOZZO ANTERIORE
PROTON - ZONDA
FRONT HUB**

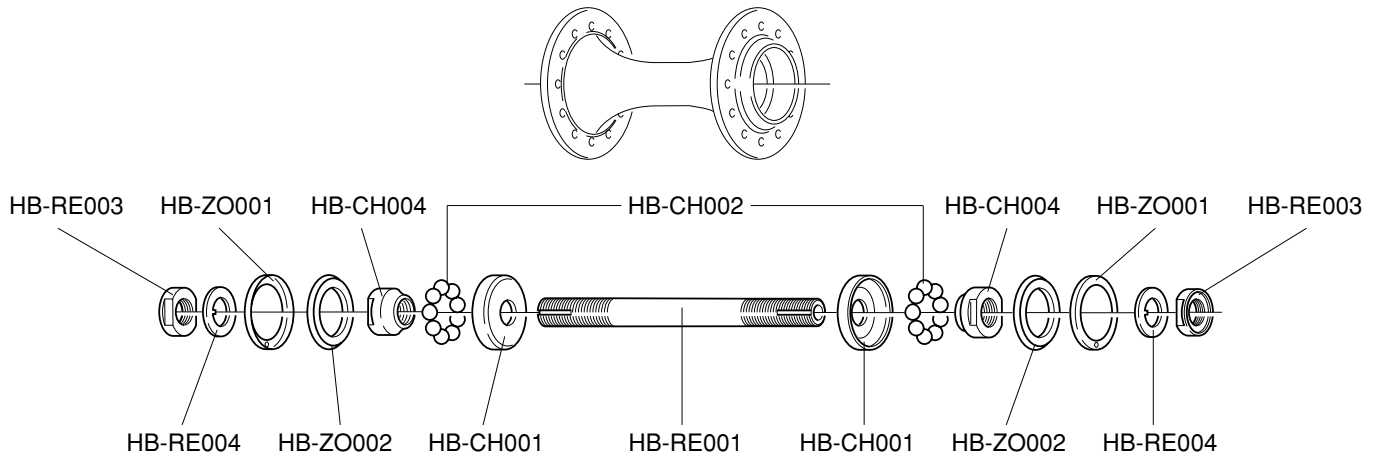


MOZZO POSTERIORE 9s / 10s
PROTON - ZONDA
9s / 10s REAR HUB

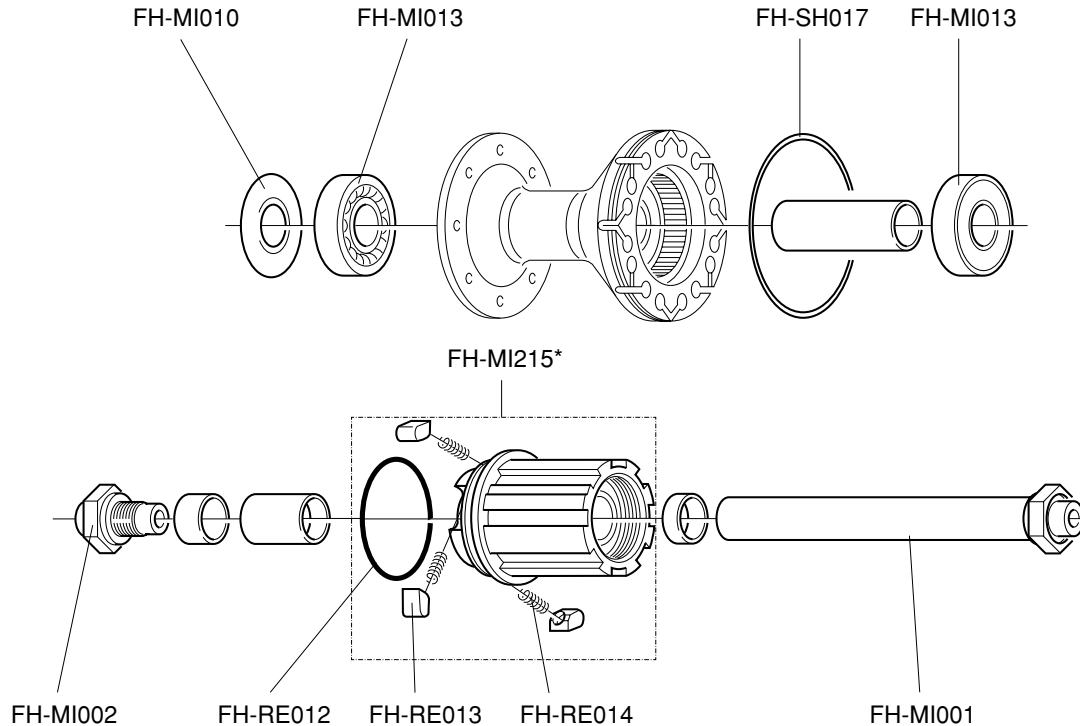


* HG 8/9 type FW body / corpetto RL tipo HG 8/9: **WH-KX1** (RECORD type) **WH-KX2** (CHORUS type)

MOZZO ANTERIORE
SCIROCCO
FRONT HUB

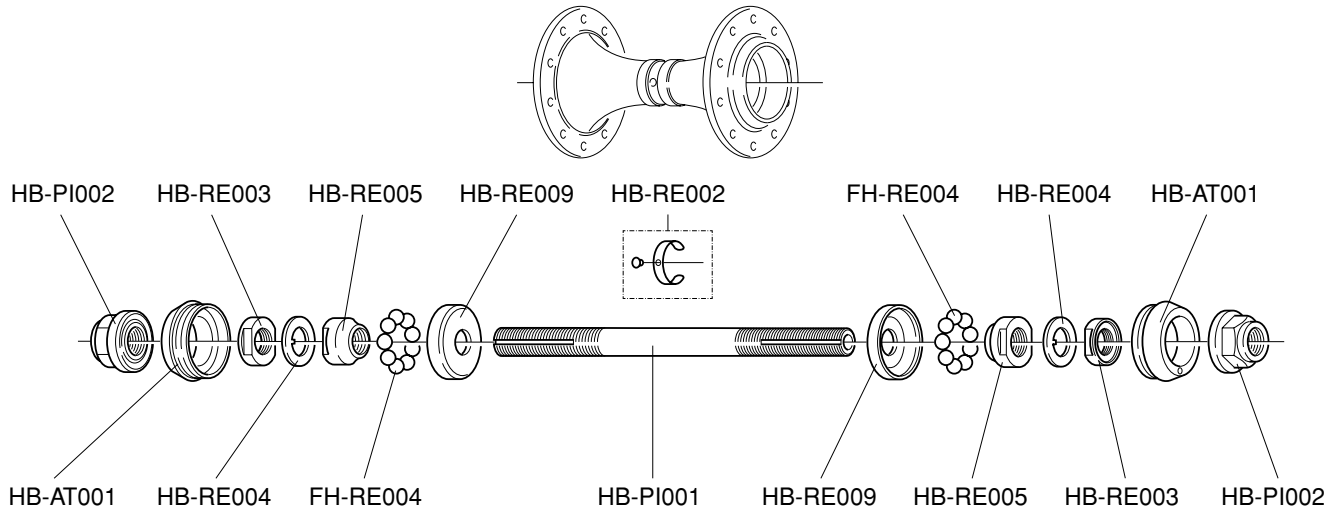


MOZZO POSTERIORE
SCIROCCO
REAR HUB

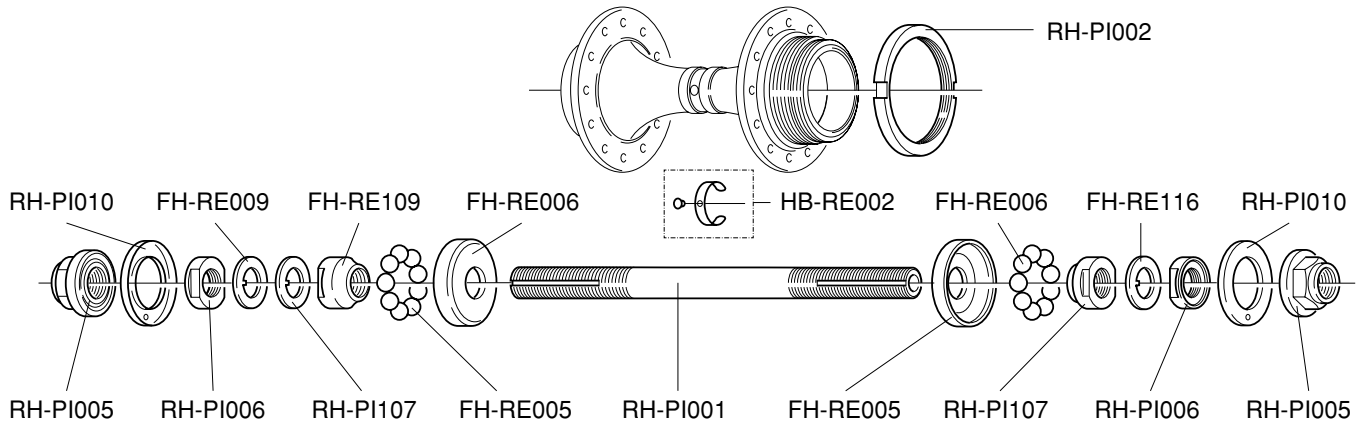


* HG 8/9 type FW body / corpetto RL tipo HG 8/9: **WH-KX3**

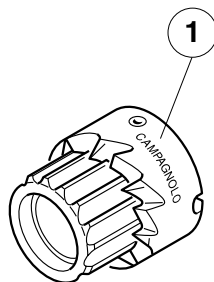
MOZZO ANTERIORE *PISTA* FRONT HUB



MOZZO POSTERIORE
PISTA
REAR HUB



HEADSET



Doppia fresa sedi calotte per attrezzo UT-HS090 (Ø 1")

UT-HS093: standard

UT-HS094: con inserti in metallo duro

Double cutter cup seats for tool UT-HS090 (Ø 1")

UT-HS093: standard

UT-HS094: with hard metal inserts

Fraise double pour sièges cuvettes pour outil UT-HS090 (Ø 1")

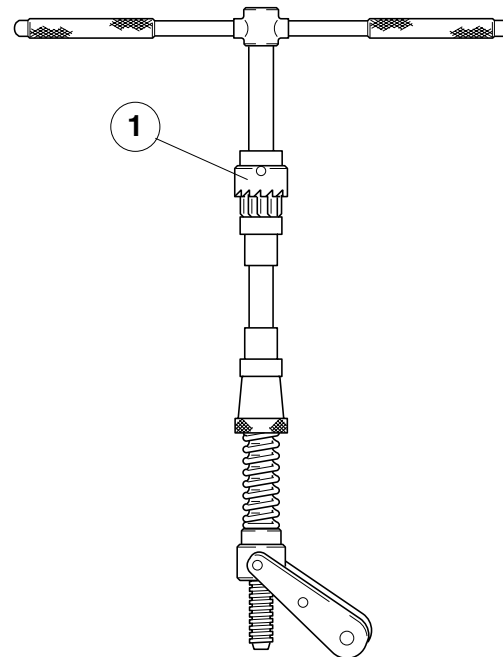
UT-HS093: standard

UT-HS094: avec inserts métal dur

Doppelfräser für Gabelkonus für Werkzeug UT-HS090 (Ø 1")

UT-HS093: Standard

UT-HS094: mit aufgetragenen Hartmetallplättchen



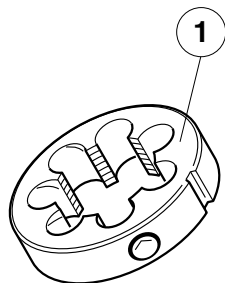
UT-HS090: Attrezzo fresatura tubo sterzo, montaggio calotta inferiore e cono superiore serie sterzo 1" - completo di doppia fresa standard (1)

UT-HS090: Tool for milling steering tube, for fitting bottom cup and top cone 1" headset - with standard double cutter (1)

UT-HS090: Outil pour fraisage tube de direction, montage cuvette inférieure et cône supérieur jeux de directions 1" - avec fraise double standard (1)

UT-HS090: Steuersatz-Fräswerkzeug - mit Standard-Doppelfräser (1) - für 1" Steuerschalensitz

HEADSET

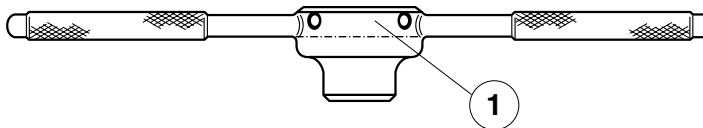


UT-HS021: Filiere per attrezzo ripasso forcella UT-HS020 (1")

UT-HS021: Cutter for recutting fork thread tool UT-HS020 (1")

UT-HS021: Filière pour outil repassage fourche UT-HS020 (1")

UT-HS021: Gewindeschneider für Werkzeug UT-HS020 (1") zum Nachschneiden für Gabelschaftrohr

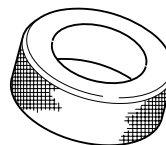


UT-HS020: Attrezzo per ripasso filetto forcelle per sterzi 1", con filiera (1)

UT-HS020: Tool for recutting fork thread for 1" Headsets, with threader (1)

UT-HS020: Outil pour repassage filetage fourche pour jeux de directions 1", avec filière (1)

UT-HS020: Werkzeug zum Nachschneiden von Gabelschaftgewinde, mit Gewindeschneider (1), für Ø 1" Steuersatz



UT-HS110: Attrezzo mont. cono forcella, per s.sterzo Hiddenset 1"

UT-HS120: Attrezzo mont. cono forcella, per s. sterzo Hiddenset 1-1/8"

UT-HS110: Tool for installing fork cone, for Ø 1" Hiddenset headset

UT-HS120: Tool for installing fork cone, for Ø 1-1/8" Hiddenset headset

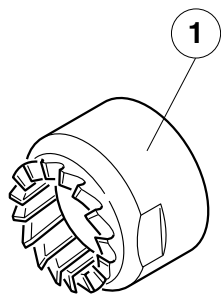
UT-HS110: Outil pour montage cône de fourche, pour jeux de directions Hiddenset 1"

UT-HS120: Outil pour montage cône de fourche, pour jeux de directions Hiddenset 1-1/8"

UT-HS110: Werkzeug zur Montage von Gabelkonus, für Ø 1" Hiddenset Steuersatz

UT-HS120: Werkzeug zur Montage von Gabelkonus, für Ø 1-1/8" Hiddenset Steuersatz

HEADSET



Fresa per attrezzo UT-HS030 Ø 1"
UT-HS031: standard
UT-HS032: con inserti in metallo duro

Cutter for tool UT-HS030 Ø 1"
UT-HS031: standard
UT-HS032: with hard metal inserts

Fraise pour outil UT-HS030 Ø 1"
UT-HS031: standard
UT-HS032: avec inserts métal dur

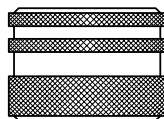
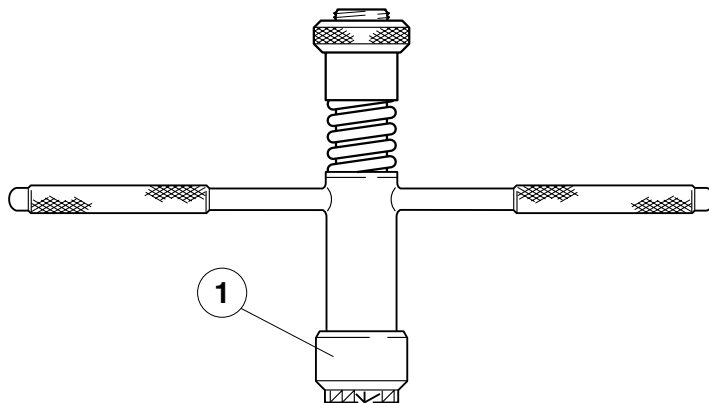
Ø 1" Fräser für UT-HS030 Werkzeug
UT-HS031: Standard
UT-HS032: mit aufgetragenen Hartmetallplättchen

UT-HS030: Attrezzo per fresatura sede cono forcella per serie sterzo 1" con fresa standard (1)

UT-HS030: Tool for milling fork bottom cone seat for 1" headsets with standard cutter (1)

UT-HS030: Outil pour le fraisage siège cône de fourche pour directions 1" avec fraise standard (1)

UT-HS030: Gabelkonus-Fräswerkzeug für 1" Steuersitz mit Standardfräser (1)



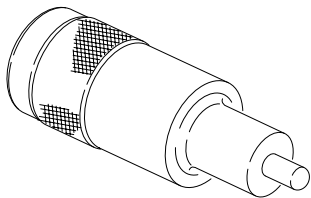
UT-HS080: Calibro controllo sede cono forcelle Ø 26,4 mm

UT-HS080: Gauge for checking fork cone seat 26,4 mm Ø

UT-HS080: Calibre de contrôle siège cône de fourche Ø 26,4 mm

UT-HS080: Kontrolllehre für Gabelkonussitz Ø 26,4 mm

HEADSET

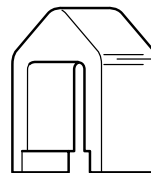


UT-HS100: Attrezzo montaggio serie sterzo Ø 1" per canotto non filettato

UT-HS100: Tool for installing Ø 1" headset for unthreaded steerers

UT-HS100: Outil pour montage jeu de direction Ø 1" pour tube de fourche non fileté

UT-HS100: Werkzeug zur Ø 1" Steuersatzmontage für gewindelosen Gabelschaft

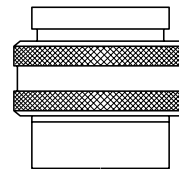


UT-HS060: Estrattore cono forcella serie sterzo

UT-HS060: Headset crown race remover

UT-HS060: Extracteur cône de fourche pour jeux de directions

UT-HS060: Abschläger für Gabelkonus für Steuersatz



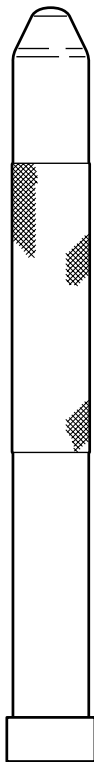
UT-HS070: Calibro controllo sedi coni e calotte sterzi 1"

UT-HS070: Gauge for checking cone and cup seats 1" headsets

UT-HS070: Calibre de contrôle sièges cônes et cuvettes jeux de directions 1"

UT-HS070: Kontrollehre für Gabelkonus und 1" Steuerschalensitz

HEADSET



UT-HS040: Punzone per montaggio cono forcella, per serie sterzo Ø 1"

UT-HS040: Punch for installing fork cone, for Ø 1" headset

UT-HS040: Outil pour montage cône de fourche, pour jeux de directions Ø 1"

UT-HS040: Aufschläger für Montage von Gabelkonus, für Ø 1" Steuersatz



UT-HS050: Estrattore calotta inferiore e cono superiore, per serie sterzo Ø 1"

UT-HS050: Extractor for lower headset cup and race, for Ø 1" headset

UT-HS050: Extracteur cuvette inférieure et cône supérieur, pour jeux de directions Ø 1"

UT-HS050: Austreiber für oberen Konus und untere Lagerschale, für Ø 1" Steuersatz

BOTTOM BRACKET

UT-BB045: Maschio filetto italiano (1 pz.)

UT-BB046: Maschio filetto inglese destro (1 pz.)

UT-BB047: Maschio filetto inglese sinistro (1 pz.)

UT-BB045: Tap for Italian thread (1pc.)

UT-BB046: Tap for English thread right-hand (1pc.)

UT-BB047: Tap for English thread left-hand (1pc.)

UT-BB045: Taraud filetage italien (1 pc.)

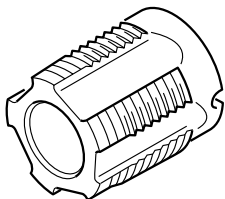
UT-BB046: Taraud filetage anglais droit (1 pc.)

UT-BB047: Taraud filetage anglais gauche (1 pc.)

UT-BB045: ITA Gewindeschneider (1 St.)

UT-BB046: BSA Gewindeschneider rechts (1 St.)

UT-BB047: BSA Gewindeschneider links (1 St.)



Atrezzo per filettatura scatola movimento centrale con 2 maschi

UT-BB040: Filetto italiano

UT-BB041: Filetto inglese

Tool for threading bottom bracket housing with 2 taps

UT-BB040: Italian thread

UT-BB041: English thread

Outil pour le filetage de la boîte de pédalier avec 2 tarauds

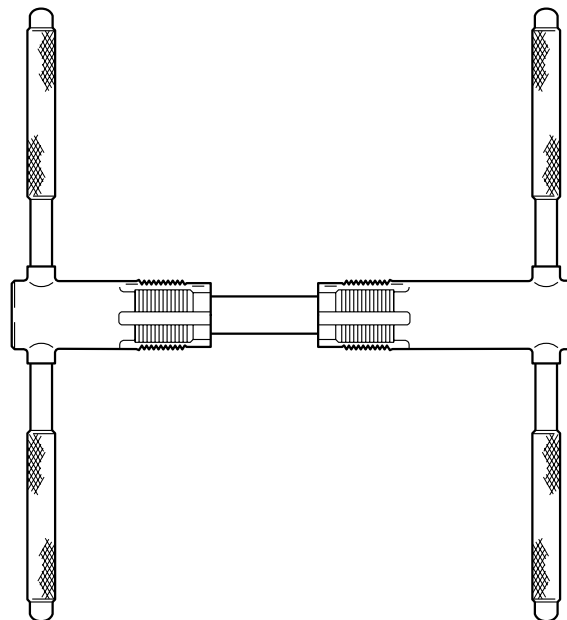
UT-BB040: filetage italien

UT-BB041: filetage anglais

Tretlager-Gewindeschneid-Werkzeug mit 2 Gewindeschneider mit:

UT-BB040: ITA Gewinde

UT-BB041: BSA Gewinde



BOTTOM BRACKET

UT-BB052: 2 manicotti filettati di guida per attrezzo UT-BB050, italiano

UT-BB053: 2 manicotti filettati di guida per attrezzo UT-BB051, inglese

UT-BB052: Inner and outer thread guide for UT-BB050, IT thread

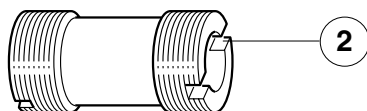
UT-BB053: Inner and outer thread guide for UT-BB051, BSC thread

UT-BB052: 2 manchons filetés de guide pour outils UT-BB050 fil. Italien

UT-BB053: 2 manchons filetés de guide pour outils UT-BB051 fil. anglais

UT-BB052: 2 Gewindemuffen zur Führung Werkzeuge UT-BB050, ITA

UT-BB053: 2 Gewindemuffen zur Führung Werkzeuge UT-BB051, BSA



Fresa per attrezzi UT-BB050 e UT-BB051

UT-BB054: Fresa standard

UT-BB055: Fresa con inserti metallo duro

Cutter for tools UT-BB050 and UT-BB051

UT-BB054: standard cutter

UT-BB055: cutter with hard metal inserts

Attrezzo fresatura piani scatola movimento centrale con fresa standard (1) e 2 manicotti filettati (2)

UT-BB050: Filetto italiano

UT-BB051: Filetto inglese

Bottom bracket facing set with standard cutter (1) and 2 - inner and outer - thread guide (2)

UT-BB050: Italian thread

UT-BB051: English thread

Outil fraisage faces boîte de pédalier avec fraise standard (1) et 2 manchons filetés de guide (2)

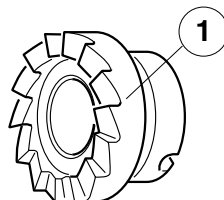
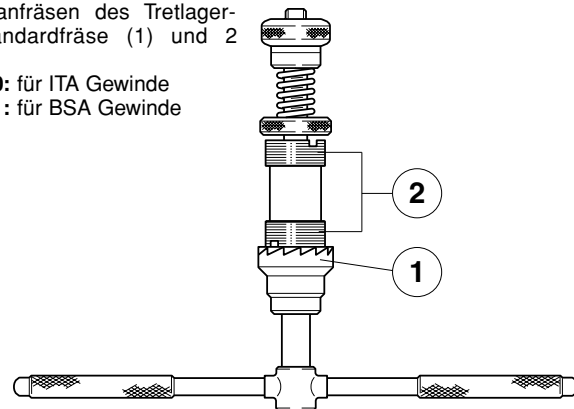
UT-BB050: filetage italien

UT-BB051: filetage anglais

Werkzeug zum Planfräsen des Tretlagergehäuses mit Standardfräse (1) und 2 Gewindemuffe (2)

UT-BB050: für ITA Gewinde

UT-BB051: für BSA Gewinde



Fresa per attrezzi UT-BB050 e UT-BB051

UT-BB054: Fresa standard

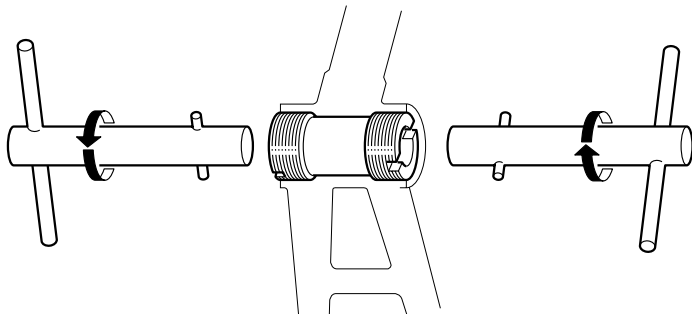
UT-BB055: Fresa con inserti metallo duro

Cutter for tools UT-BB050 and UT-BB051

UT-BB054: standard cutter

UT-BB055: cutter with hard metal inserts

BOTTOM BRACKET



UT-BB060: Chiave per montaggio manicotti attrezzi UT-BB050/UT-BB051 (1 pz.)

UT-BB060: Key for BB-thread guides UT-BB050/UT-BB051 (1 pcs.)

UT-BB060: Clé pour montage guides pour outils UT-BB050/UT-BB051 (1 pcs.)

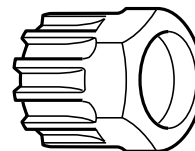
UT-BB060: Rohrschlüssel für Tretlagergewinde-Führungsteile UT-BB050/UT-BB051 (1 Stück)

UT-BB080: Chiave per montaggio movimenti centrali CART e ghiera di chiusura pacchi pignoni

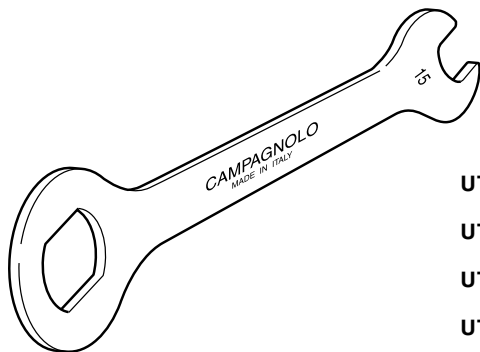
UT-BB080: Cartridge bottom bracket and sprocket cassette- lock ring remover

UT-BB080: Clé pour montage jeux de pédalier CART et roues-libres à cassette

UT-BB080: Schlüssel zur Montage von Patronen-Tretlager und Schließring für Freilaufzahnkranz



BOTTOM BRACKET



UT-BB030: Chiave per calotta destra movimenti centrali e per montaggio pedali

UT-BB030: Spanner for bottom bracket right-hand cup and installing pedals

UT-BB030: Clé pour cuvette droite jeu de pédalier et montage pédales

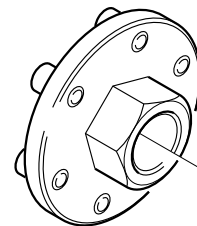
UT-BB030: Schlüssel für rechte Innenlagerschalen und Pedal-Montage

UT-BB100: Utensile per movimenti a cartuccia Daytona/Centaur, Veloce e Mirage

UT-BB100: Tool for Daytona/Centaur, Veloce and Mirage cartridge bottom bracket

UT-BB100: Clé pour jeux de pédalier à cartouche Daytona/Centaur, Veloce et Mirage

UT-BB100: Montageschlüssel für Daytona/Centaur, Veloce und Mirage Patronen-Tretlager



HEADSET / BOTTOM BRACKET



UT-BB010: Chiave per serie sterzo Ø 1" e calotta sinistra movimento centrale Pista

UT-BB010: Spanner for Ø 1" head sets and Pista bottom bracket left hand cup

UT-BB010: Clé pour direction Ø 1" et cuvette réglable jeu de pédalier Pista

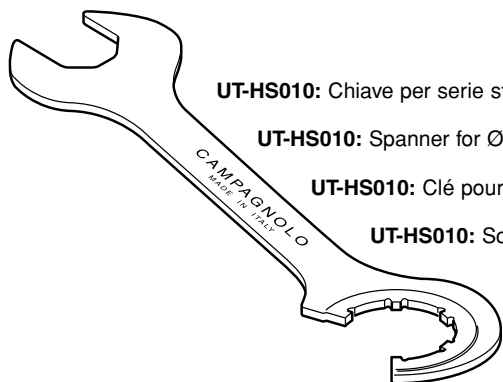
UT-BB010: Schlüssel für Ø 1" Steuersatz und Stiftschlüssel für Pista Tretlagerschale

UT-BB011: Punta per chiave UT-BB010

UT-BB011: Pin for UT-BB010

UT-BB011: Grain pour clé UT-BB010

UT-BB011: Stift für Schlüssel UT-BB010



UT-HS010: Chiave per serie sterzo Ø 1" e contranello movimento centrale Pista

UT-HS010: Spanner for Ø 1" head sets and Pista bottom bracket counter ring

UT-HS010: Clé pour direction Ø 1" et contre-écrou du jeu de pédalier Pista

UT-HS010: Schlüssel für Ø 1" Steuersatz und Pista Tretlager-Konterrering

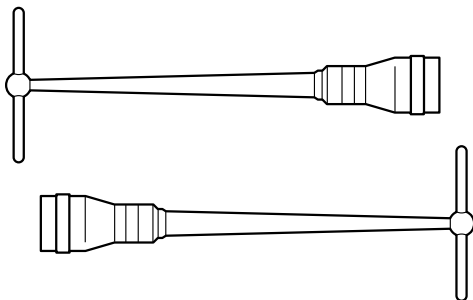
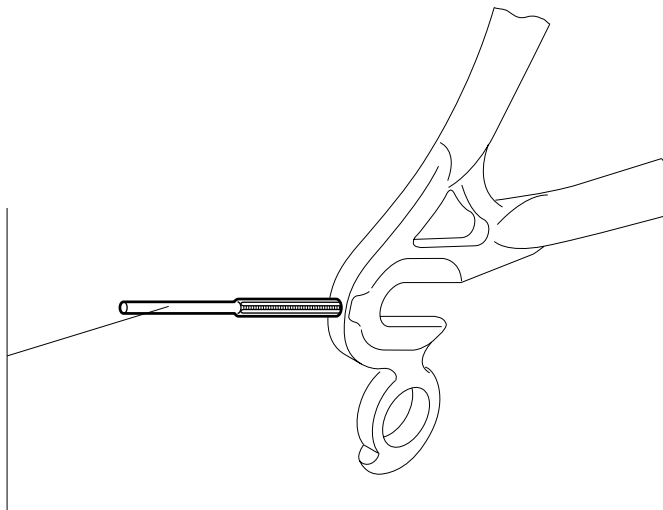
FRAME PREPARATION

UT-VS060: Maschio M3 x 0,5 per ripasso filetti forcellini per viti registrazione

UT-VS060: M3 x 0,5 tap for recutting rear drop-out threads for setting screws

UT-VS060: Taraud M3 x 0,5 pour repassage filetage pattes de cadre pour vis de réglage

UT-VS060: M3 x 0,5 Gewindebohrer zum Nachschneiden von Stellschraubengewinde im Ausfallende



UT-VS120: Calibro per controllo allineamento forcellini e punte forcelle (2 pz.)

UT-VS120: Drop-out alignment set (2 pcs.)

UT-VS120: Calibre pour contrôle alignement pattes de cadres et pattes de fourches (2 pcs.)

UT-VS120: Werkzeug zum Ausrichten von Gabel- und Ausfallenden (2 St.)

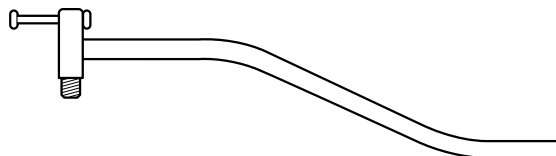
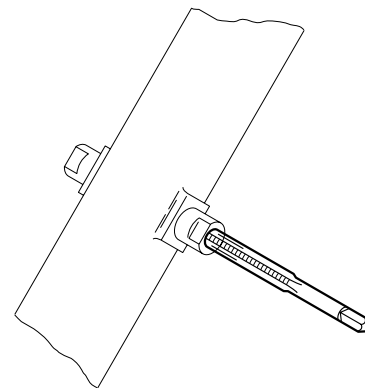
FRAME PREPARATION

UT-VS050: Maschio M5 x 0,8 per ripasso filetti attacchi quadri comandi e attacchi borracce

UT-VS050: M5 x 0,8 tap for recutting shifting lever- and bottle cage threads

UT-VS050: Taraud M5 x 0,8 pour repassage filetage plots de manettes et attaches bidons

UT-VS050: M5 x 0,8 Gewindebohrer zum Nachschneiden der Gewinde für Schalthebel und Trinkflaschenhalter



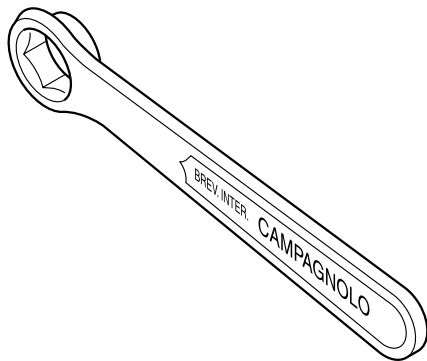
UT-VS030: Riscontro allineamento occhiello attacco cambio

UT-VS030: Rear derailleur hanger alignment tool

UT-VS030: Calibre de contrôle attache de dérailleur arrière

UT-VS030: Richtwerkzeug zur Kontrolle von Ausfallende mit Schaltauge

CRANKS / CHAINRINGS



UT-FC050: Chiave con esagono da 15 mm per estrattore pedivelle

UT-FC050: 15 mm crank bolt spanner

UT-FC050: Clé avec hexagone de 15 mm pour extracteur manivelles

UT-FC050: 15 mm Schlüssel für Tretkurbelabzieher

UT-FC060: Estrattore pedivelle standard

UT-FC070: Estrattore pedivelle con filetto a sinistra

UT-FC060: Extractor for standard cranks

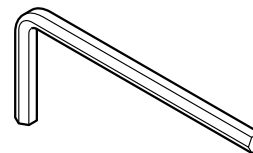
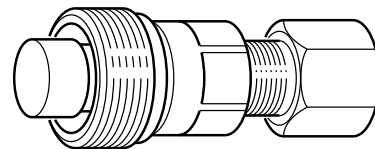
UT-FC070: Extractor for cranks with l.h. thread

UT-FC060: Extracteur manivelles standards

UT-FC070: Extracteur manivelles avec filetage à gauche

UT-FC060: Standard - Tretkurbelabzieher

UT-FC070: Tretkurbelabzieher mit Linksgewinde



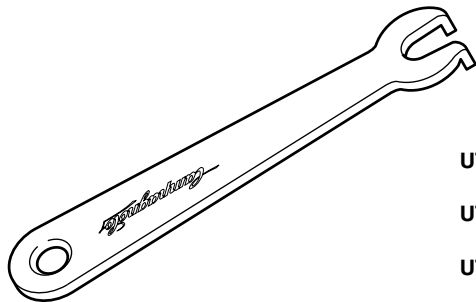
UT-FC030: Chiave a brugola da 5 mm

UT-FC030: 5 mm allen key

UT-FC030: Clé à pans creux de 5 mm

UT-FC030: 5 mm L-Schlüssel

**CRANKS /
CHAINRINGS /
BRAKES**

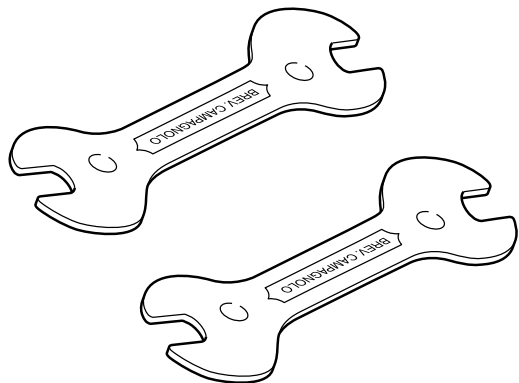


UT-FC040: Chiave per dadi fissaggio ingranaggi

UT-FC040: Spanner for chainring retaining nuts

UT-FC040: Clé pour écrous de fixation plateaux de pédaliers

UT-FC040: Schlüssel zur Befestigung von Kettenblattbolzen



UT-BR010: Coppia chiavi 13-14 per registrazione freni e coni mozzi

UT-BR010: Pair of 13-14 mm spanners for adjusting brakes and hub cones

UT-BR010: Paire clés 13-14 pour réglage freins et cônes de moyeux

UT-BR010: 13-14 mm Schlüssel (2 Stücke) zum Einstellen von Bremsen und Nabelkonusen

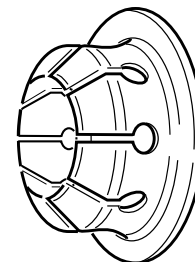
HUBS & WHEELS

UT-HU090: Attrezzo per montaggio cricchetti ruota libera su mozzi standard e HPW

UT-HU090: freewheel-pawl assembling tool (standard and HPW-hubs)

UT-HU090: Outil pour montage cliquets de roue-libre sur moyeux standard et HPW

UT-HU090: Werkzeug zur Montage der Kassettenkörper-Sperrklinken (Standard- und HPW-Nabe)

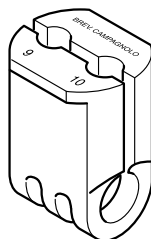


UT-HU020: Pinza per perni filettati mozzi

UT-HU020: Hub axle vise

UT-HU020: Pince pour axes filetés de moyeux

UT-HU020: Klemmvorrichtung für Naben-Achsgewinde

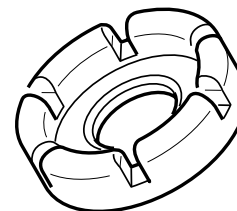


UT-HU050: Tiraraggi

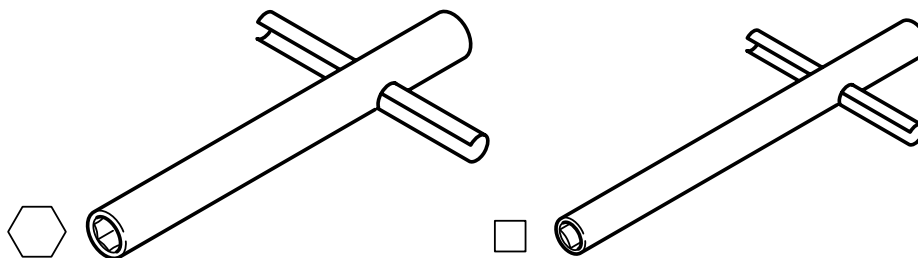
UT-HU050: Spoke wrench

UT-HU050: Clé à rayons

UT-HU050: Speichenschlüssel



HUBS & WHEELS



UT-HU070: Chiave per raggi ruote Shamal, Vento e Zonda (fino a gamma '98 - per gamma '99 e successive vedi pag. 107)

UT-HU070: Shamal, Vento and Zonda wheel truing tool (till '98 range - from '99 range see page 107)

UT-HU070: Clé à rayons pour roues Shamal, Vento et Zonda (jusqu'à la gamme '98 - pour la gamme '99 et suivantes v. page 107)

UT-HU070: Nippelspanner für Shamal, Vento und Zonda (bis '98 Produktlinie - ab '99 Produktlinie siehe S. 107)

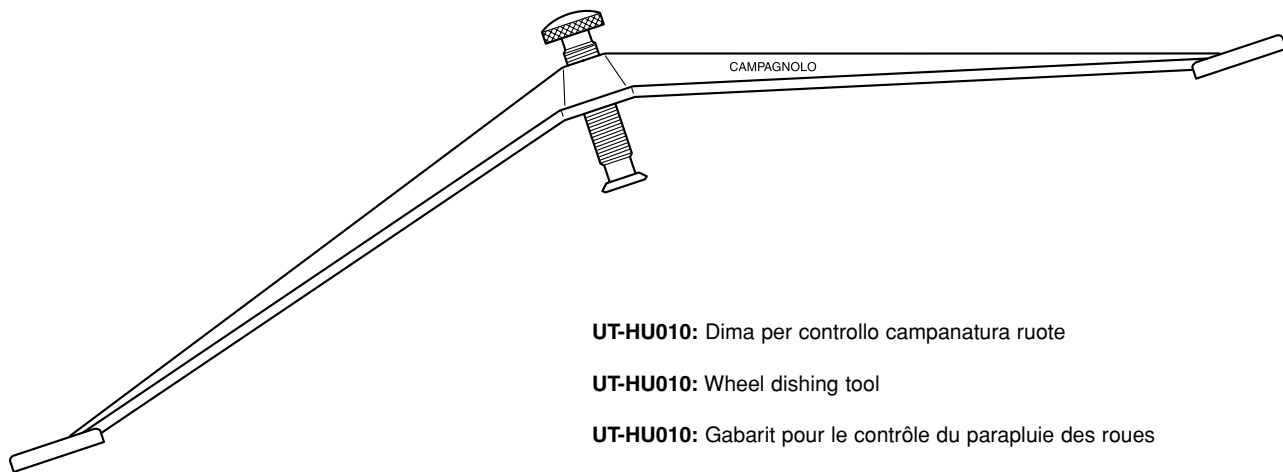
UT-HU060: Chiave per raggi ruote Bora

UT-HU060: Bora wheel truing tool

UT-HU060: Clé à rayons pour roues Bora

UT-HU060: Vierkant-Nippelspanner für Bora

**HUBS &
WHEELS**



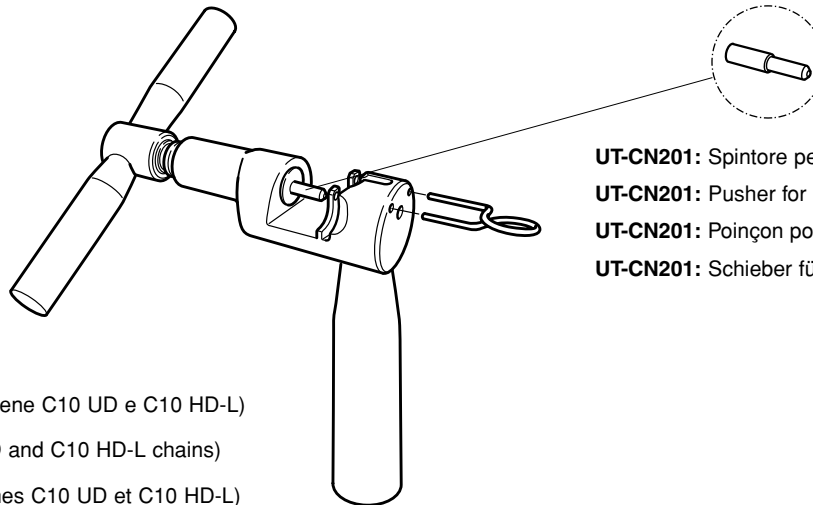
UT-HU010: Dima per controllo campanatura ruote

UT-HU010: Wheel dishing tool

UT-HU010: Gabarit pour le contrôle du parapluie des roues

UT-HU010: Zentrierbügel

SPROCKETS / CHAIN



UT-CN201: Spintore per UT-CN200

UT-CN201: Pusher for UT-CN200

UT-CN201: Poinçon pour UT-CN200

UT-CN201: Schieber für UT-CN200

UT-CN200: Utensile per **HD-Link** (catene C10 UD e C10 HD-L)

UT-CN200: Tool for **HD-Link** (C10 UD and C10 HD-L chains)

UT-CN200: Outil pour **HD-Link** (chaînes C10 UD et C10 HD-L)

UT-CN200: Werkzeug für **HD-Link** (C10 UD und C10 HD-L Ketten)

UT-CS060: Chiave con catena 10s per smontaggio pignoni 10s, 9s e 8s

UT-CS060: Spanner with 10s chain for 10, 9 and 8s sprockets

UT-CS060: Fouet à chaîne 10s pour pignons 10s, 9s et 8s

UT-CS060: Zahnkranzabnehmer mit Rennkette 10s für 10-, 9- und 8s Ritzeln

Utensili raccomandati reperibili in commercio

Recommended tools, commercially available

- Cacciavite a croce PH 1 (Phillips)
 - Chiave a manico di cacciavite con esagono da 5mm per ruote:
 - Nucleon ed Electron
 - Shamal e Vento (solo da gamma '99 - per gamme precedenti vedi pag. 104)
 - Chiave a brugola da 2,5 mm per registrazione mozzi
 - Chiave a brugola da 3 mm per blocchetti fermaguaine
 - Chiave a brugola da 5 mm per freni, Ergopower, ecc.
 - Chiave dinamometrica con chiave a brugola da 8 mm per montaggio viti pedivelle
 - Chiave fissa da 17 mm per controdado mozzo posteriore
 - Chiave a bussola da 24 mm per utensile fissaggio calotte mov. centrale Daytona/Centaur, Veloce, Mirage (UT-BB100 - pag. 97)
 - Maschio M10 x 1 per ripasso occhiello attacco cambio su forcellini
-

- Phillips type screwdriver
- 5 mm nut driver for wheels:
 - Nucleon and Electron
 - Shamal and Vento (only from '99 range - for previous versions see page 104)
- 2.5 mm allen key, for hub lock nut
- 3 mm allen key, for downtube adjusters
- 5 mm for brakes, Ergopower levers, etc.
- Torque wrench fitted with 8 mm allen key
- 17 mm hexagonal wrench, for rear hub axle nut
- 24 mm hexagonal wrench for Daytona/Centaur, Veloce, Mirage bottom bracket tool (UT-BB100 on page 97)
- M10 x 1 tap for recutting rear derailleur hanger thread

ITALY - Central Service Center

CAMPAGNOLO SRL HEADQUARTERS

Via della Chimica, 4 - 36100 VICENZA

Phone: +39-0-444-225605

Fax: +39-0-444-225400

E-mail: service@campagnolo.com

AUSTRALIA

BIKE SPORTZ IMPORTS

11 Macbeth Street,

Braeside, Victoria 3195 NSW

Phone: +61-3-95872344

Fax: +61-3-95876951

CYCLING PROJECTS

80 King Street,

NSW 2193 Ashbury

Phone: +61-2-97992407

Fax: +61-2-97879940

AUSTRIA

WEKU HANDELS GMBH

Rebgarten, 6 - 6973 HÖCHST

Phone: +43-5578-74911

Fax: +43-5578-74912

BENELUX

CARD BENELUX BV

Vaartveld 19 - 4704 SE ROSENDAAL

Netherlands

Phone: +31-165-564241

Fax: +31-165-563248

BENELUX (continued)

FA. WOUT VERHOEVEN

Rodenrijseweg 409 -

2651 AM BERKEL EN RODENRIJS

Netherlands

Phone: +31-10-5115014

Fax: +31-10-5117708

I.C.C.

INTERNATIONAL CYCLE CONNECTION

Weststraat 42

P.O. Box 73 - 4527 ZH AARDENBURG

Netherlands

Phone: +31-117-492820

Fax: +31-117-492835

CANADA

CYCLES MARINONI INC

1067, Levis - LACHENAIE - QUEBEC J6W 4L2

Phone: +1-450-4717133

Fax: +1-450-4719887

GREAT WESTERN BICYCLE CO. LTD.

233 West Broadway

VANCOUVER BC V5Y 1P5

Phone: +1-604-8722424

Fax: +1-604-87202226

CZECH REPUBLIC

KOLA SIRER

P.O. Box 107 - 26601 BEROUN 1

Phone: 00420-311-621355

Fax: 00420-311-625492

DENMARK

AAGE KROLL A/S

Jydekrogen 18 - 2625 VALLENSBAEK

Phone: +45-43-660066

Fax: +45-43-660099

MARKER SCANDINAVIA

Industrivej 1D - DK-4000

Roskilde - DENMARK

Phone: +45-40210140

Fax: +45-46-498088

FINLAND

VELOSPORT KY

Mäkelänkatu, 95 - 00610 HELSINKI P

Phone: +358-9-7571377

Fax: +358-9-795498

FRANCE

CAMPAGNOLO FRANCE

3, Rue du 8 Mai - B.P. 148

42160 ANDREZIEUX - BOUTHEON CEDEX

Phone: +33-477-556305

Fax: +33-477-556345

GERMANY

CAMPAGNOLO DEUTSCHLAND GMBH

An der Schusterinsel, 15

51379 LEVERKUSEN

Phone: +49-2171-72430

Fax: +49-2171-724315

GREECE

CYCLES FIDUSA

Th. Sofuli 97 - 85100 RHODOS
 Phone: +30-241-21264
 Fax: +30-241-21519

JAPAN

KAWASHIMA CYCLE SUPPLY CO.

N. 4-2-4, Kushiya-cho Higashi, Sakai
 OSAKA, 590-0944
 Phone: +81-722-38-6126
 Fax: +81-722-21-4379

NICHINAO SHOKAI CO., LTD

6-16-8, Sotokanda, Chiyodaku - TOKYO 101
 Phone: +81-3-38326251
 Fax: +81-3-38326266

NEW ZEALAND

WH WORRALL CO. LTD.

43 Felix St./Penrose - P.O. Box 12481
 AUCKLAND
 Phone: +64-9-6360641
 Fax: +64-9-6360631

SOUTH AFRICA

CYCLING J&J (PTY) LTD

169 Meerlust Street - Willow Glen
 PRETORIA
 Phone: +27-012-8075570
 Fax: +27-012-8074267

SPAIN

CAMPAGNOLO IBERICA S.L.

Avda. de Los Huetos 46 Pab. 31 - 01010
 VITORIA
 Phone: +34-945-217195
 Fax: +34-945-217198

SWEDEN

RACERDEPAN

Odengatan, 38 - 52141 FALKÖPING
 Phone: +46-515711430
 Fax: +46-51559430

SWITZERLAND

PIERO ZURINO AG

Flawilerstrasse 3a
 9500 WIL SG
 Phone: +41-71-9236001
 Fax: +41-71-9236353

U.G.D. SPORT DIFFUSION S.A.

La Taille - 2053 CERNIER
 Phone: +41-32-8536363
 Fax: +41-32-8536464

UNITED KINGDOM

SELECT CYCLE COMPONENTS

Unit 3, Napoleon Business Park
 Wheterby Road - DERBY - DE24 8HL
 Phone: +44-1332-371176
 Fax: +44-1332-371179

UNITED STATES

CAMPAGNOLO USA INC.

2105-L Camino Vida Roble
 CARLSBAD - CA 92009
 Phone: +1-760-9310106
 Fax: +1-760-9310991

OCHSNER INT. INC

246 E. Marquardt Drive - WHEELING
 IL. 60090-6430
 Phone: +1-847-4658200
 Fax: +1-847-4658282

PERFORMANCE CYCLE PRODUCTS

22 South 6th Avenue
 Mount Vernon, NY 10550
 Phone: +1-914-6991668
 Fax: +1-914-6991875

QUALITY BICYCLES PRODUCTS

6400 W. 105th Street - BLOOMINGTON,
 MN 55438-2554
 Phone: +1-952-941-9391
 Fax: +1-952-941-9799